



US00D986613S

(12) **United States Design Patent**
Lithgow et al.

(10) **Patent No.:** **US D986,613 S**

(45) **Date of Patent:** **** May 23, 2023**

(54) **CHAIR**

(71) Applicant: **Dmitriy & Company LLC**, New York, NY (US)

(72) Inventors: **Alexander Lithgow**, New York, NY (US); **Joshua Edward Dycus**, New York, NY (US); **Donata Blekhtser**, New York, NY (US); **Dmitriy Feldman**, New York, NY (US)

(73) Assignee: **DMITRIY & COMPANY LLC**, New York, NY (US)

(**) Term: **15 Years**

(21) Appl. No.: **29/763,344**

(22) Filed: **Dec. 22, 2020**

(51) **LOC (14) Cl.** **06-01**

(52) **U.S. Cl.**
USPC **D6/364**

(58) **Field of Classification Search**
USPC D6/364, 373, 374, 375, 379, 380, 381
CPC A47C 1/02; A47C 11/00; A47C 15/004;
A47C 17/02

See application file for complete search history.

(56) **References Cited**

U.S. PATENT DOCUMENTS

D277,432 S *	2/1985	Appel	D6/364
D431,914 S *	10/2000	Lewis	D6/334
D746,075 S *	12/2015	Lievore	D6/364
D799,228 S *	10/2017	Lewis	D6/364
D816,361 S *	5/2018	Newhouse	D6/364
D840,700 S *	2/2019	Gyllang	D6/381

D892,511 S *	8/2020	Yeung	D6/364
D903,358 S *	12/2020	Smrstick	D6/374
D906,715 S *	1/2021	Pan	D6/374
D927,215 S *	8/2021	Joseph	D6/377
D938,184 S *	12/2021	Lithgow	D6/375
D977,859 S *	2/2023	Li	D6/379

* cited by examiner

Primary Examiner — R. Johnson

(74) *Attorney, Agent, or Firm* — Lewis Roca Rothgerber Christie LLP

(57) **CLAIM**

The ornamental design for a chair, as shown and described.

DESCRIPTION

FIG. 1 is a front left perspective view of a first embodiment of a chair showing our new design;
 FIG. 2 is a rear left perspective view thereof;
 FIG. 3 is a left side elevation view thereof, the right side view being a mirror image;
 FIG. 4 is a front elevation view thereof;
 FIG. 5 is a rear elevation view thereof;
 FIG. 6 is a top plan view thereof.
 FIG. 7 is a front left perspective view of a second embodiment of a chair showing our design;
 FIG. 8 is a rear left perspective view thereof;
 FIG. 9 is a left side elevation view thereof, the right side view being a mirror image;
 FIG. 10 is a front elevation view thereof;
 FIG. 11 is a rear elevation view thereof; and,
 FIG. 12 is a top plan view thereof.
 FIGS. 7, 8, and 10-12 include break lines and those portions of the article between the break lines form no part of the claimed design.

1 Claim, 6 Drawing Sheets

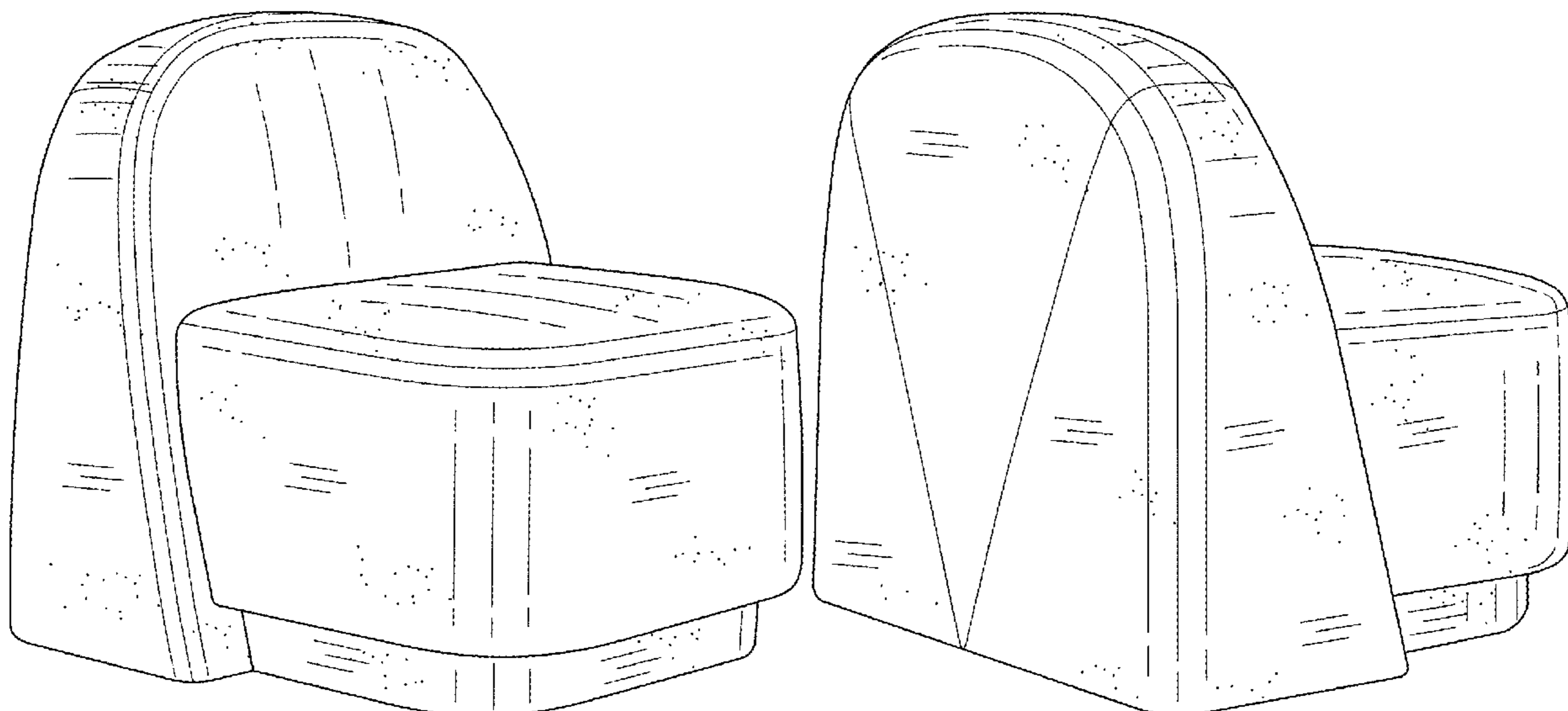


FIG. 1

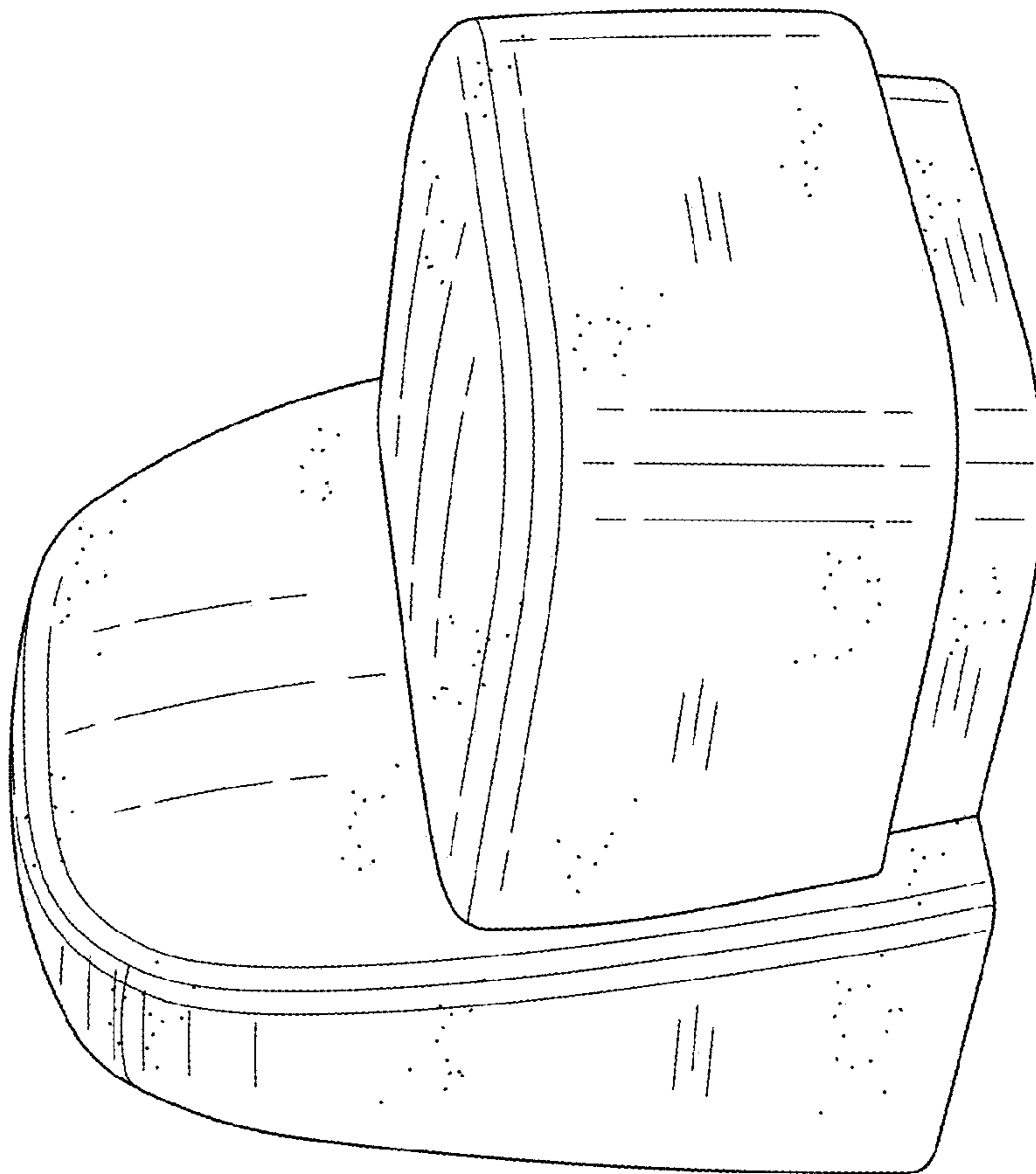


FIG. 2

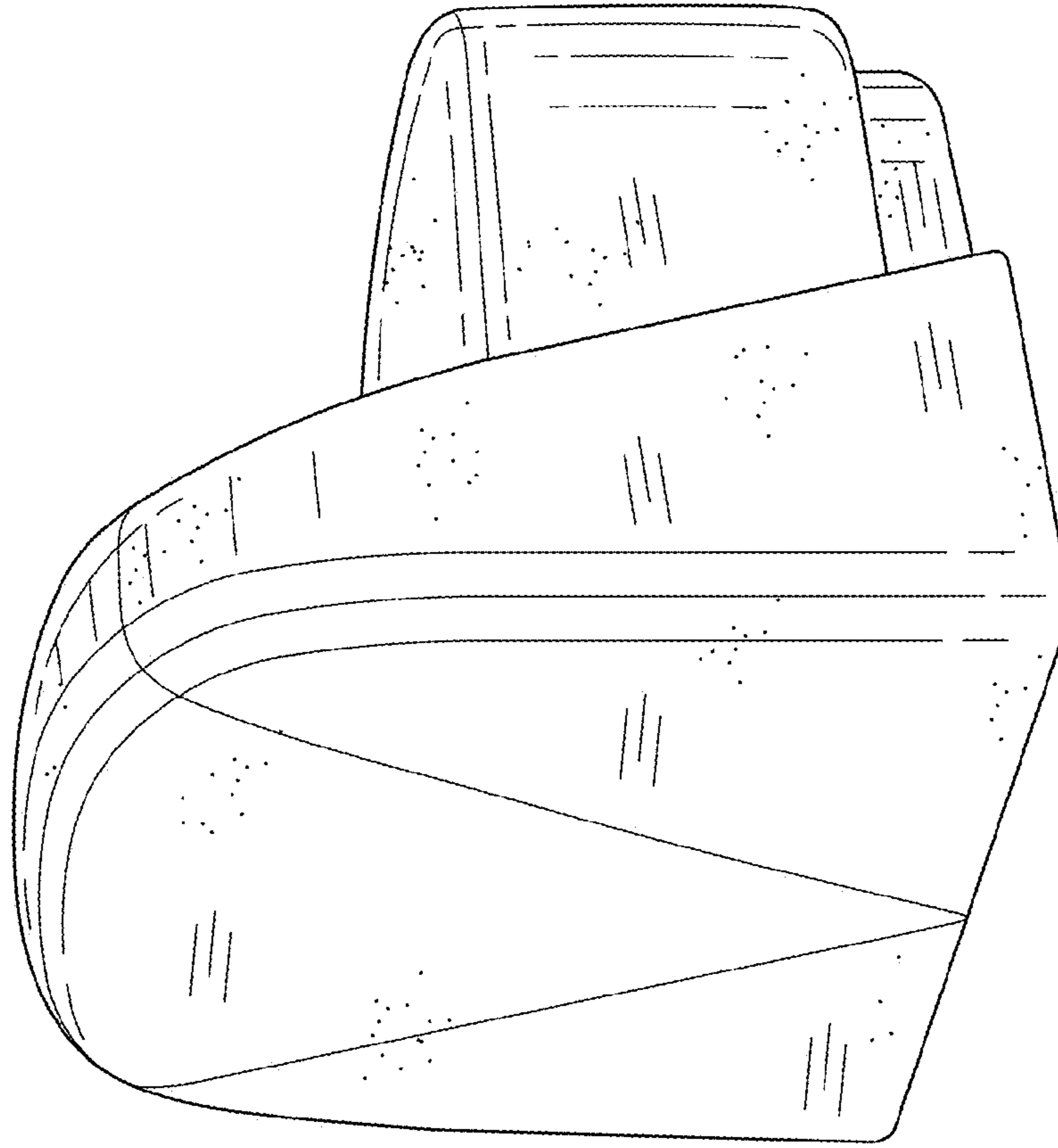


FIG. 4

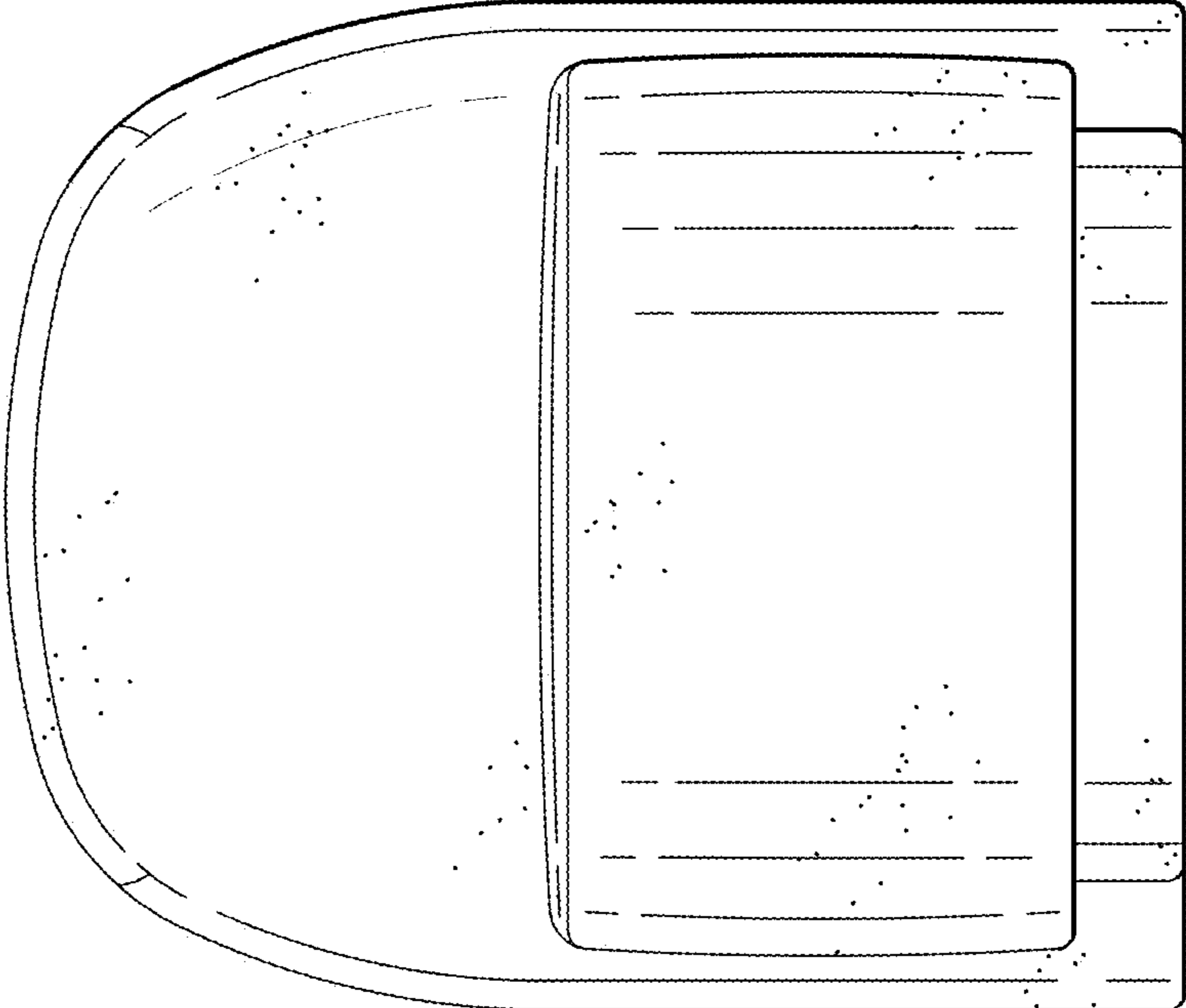


FIG. 3

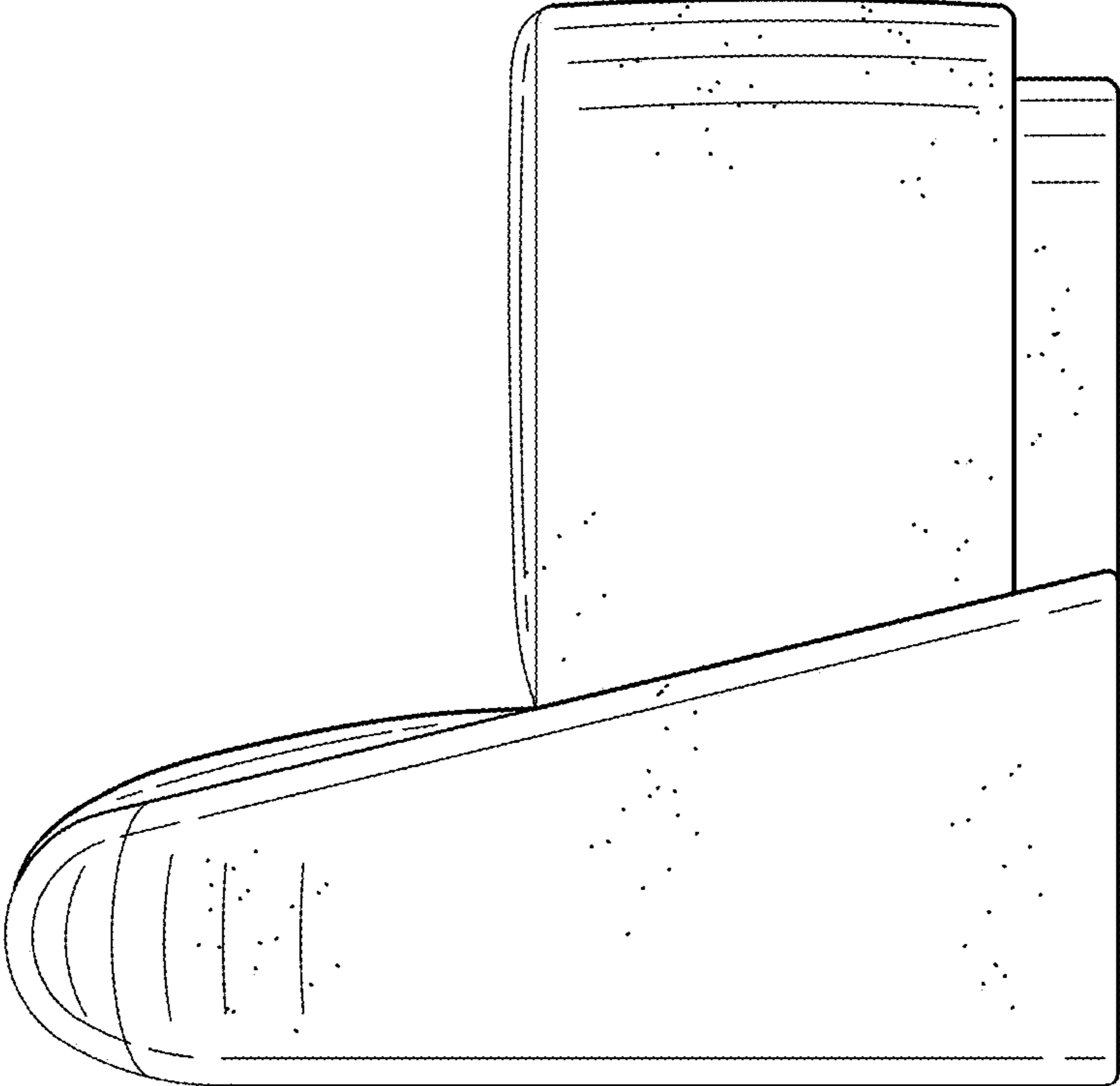


FIG. 6

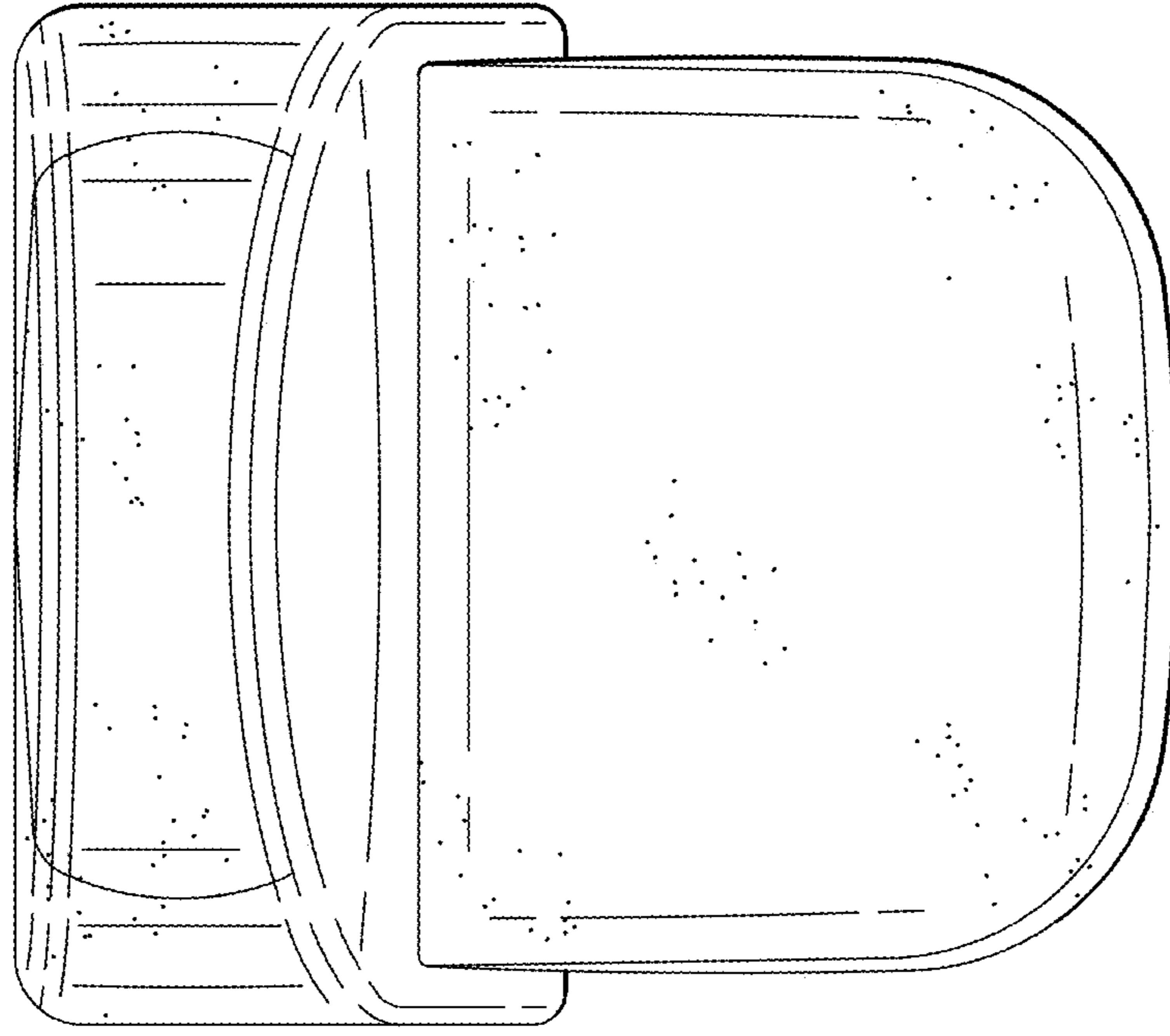


FIG. 5

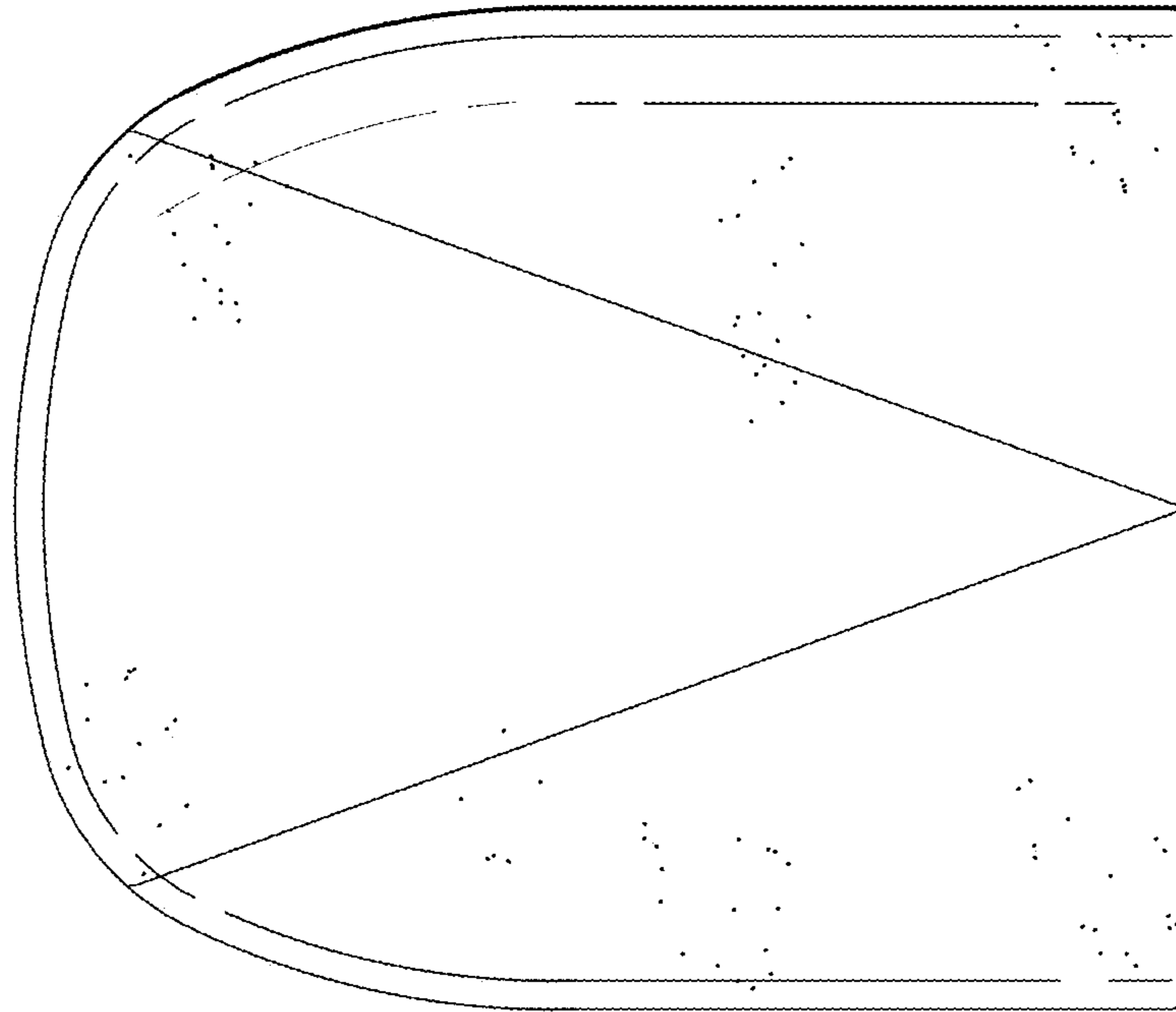


FIG. 8

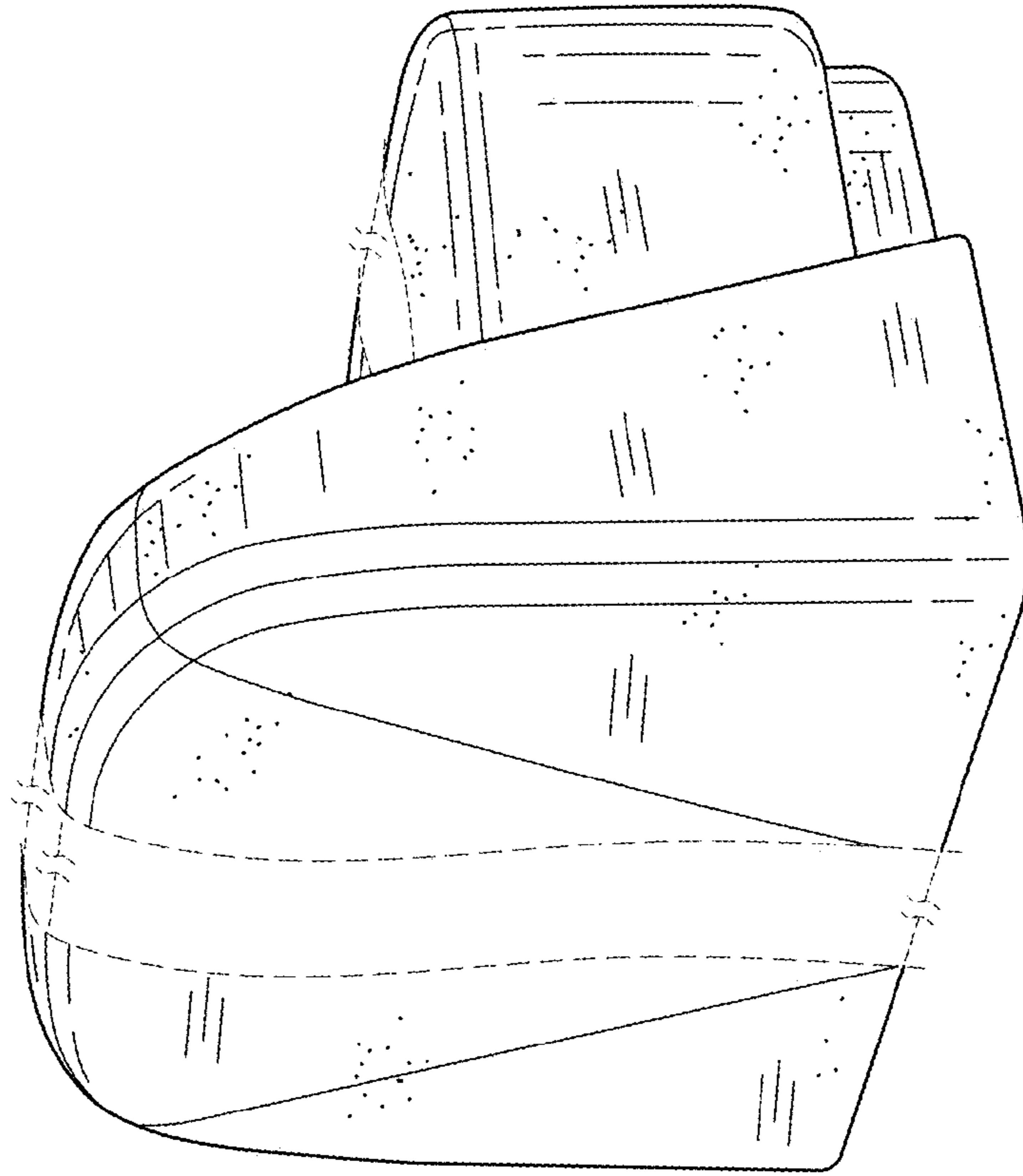


FIG. 7

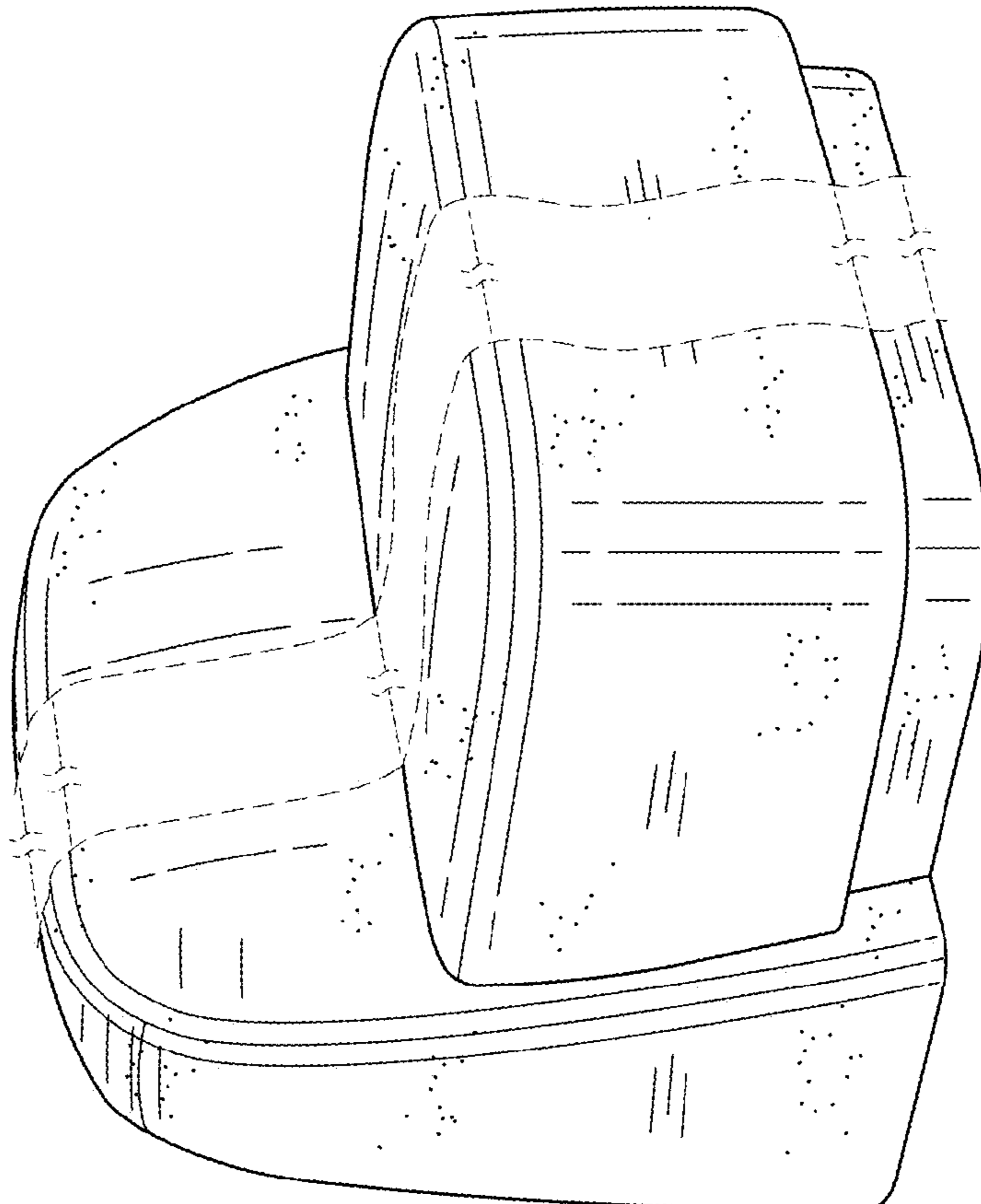


FIG. 10

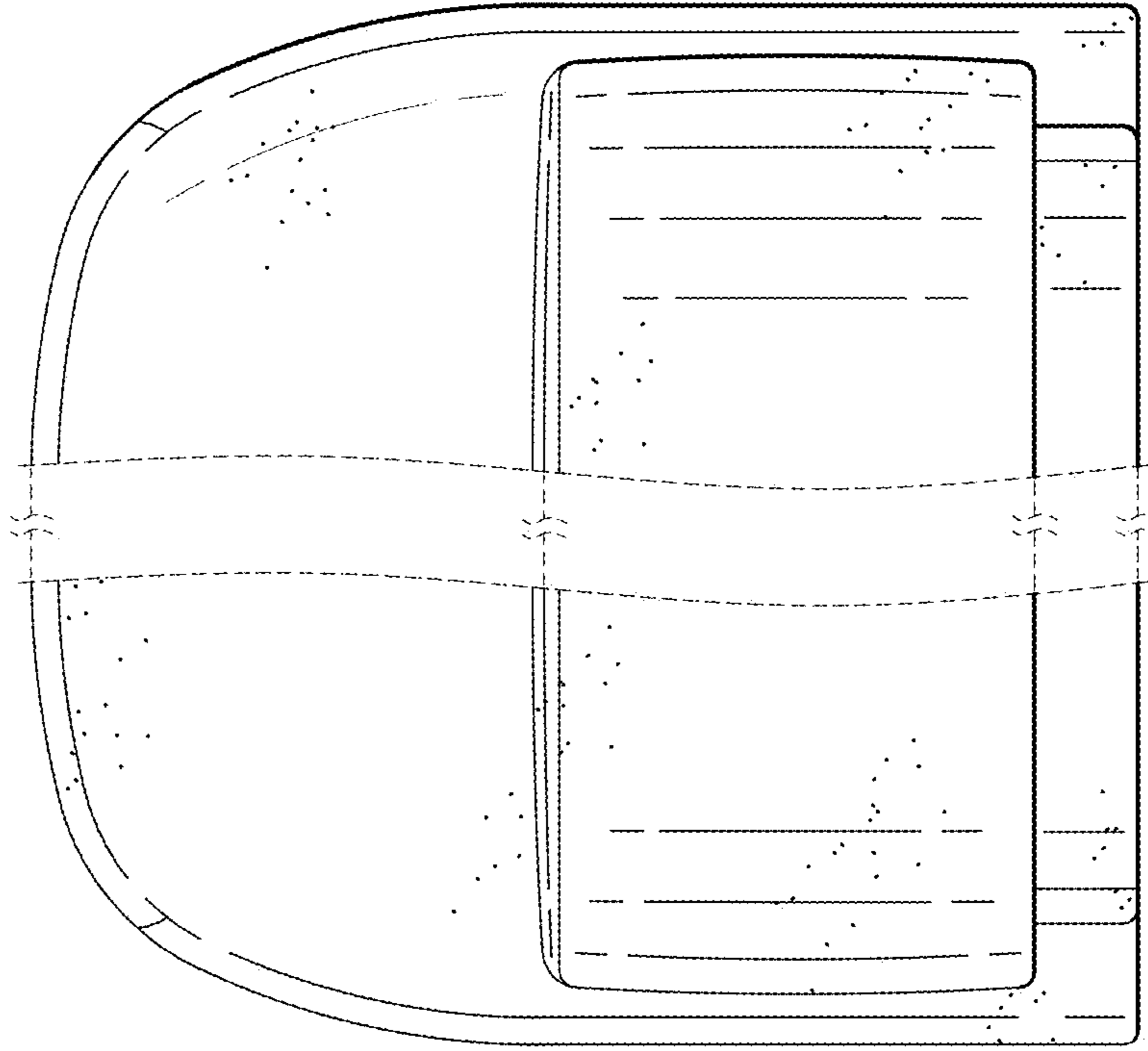


FIG. 9

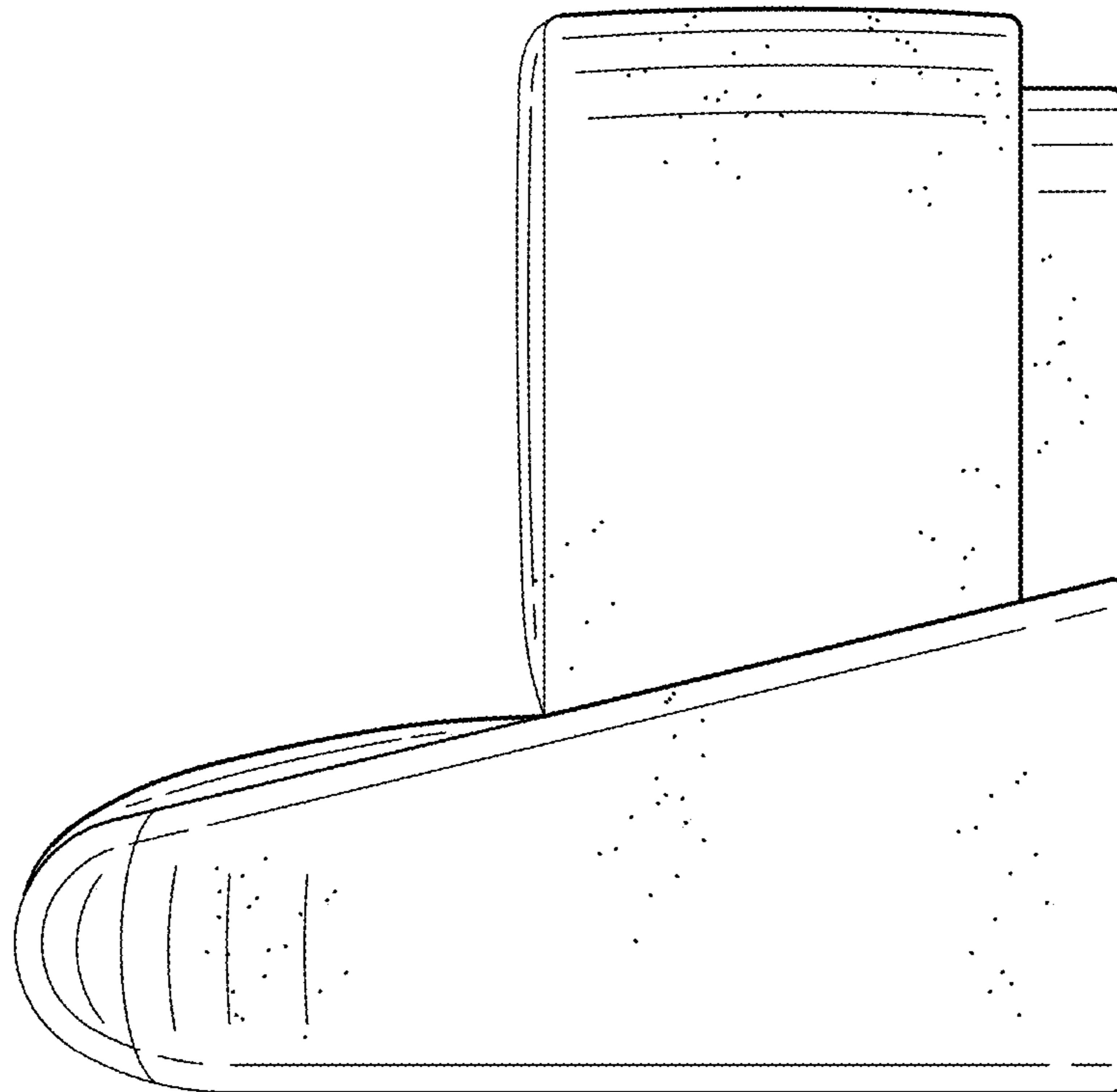


FIG. 12

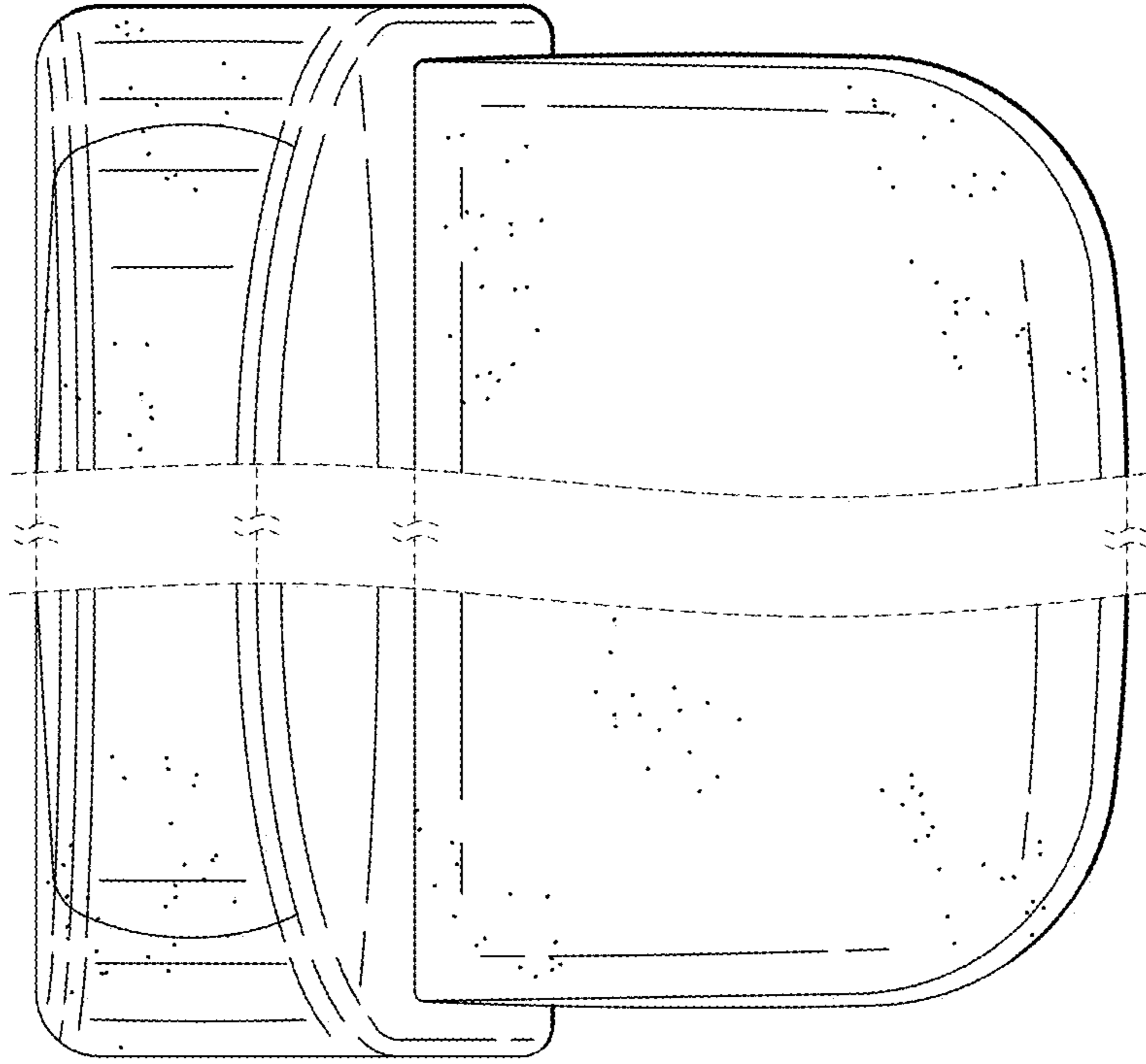


FIG. 11

