



US00D986609S

(12) **United States Design Patent**
Chu

(10) **Patent No.:** **US D986,609 S**
(45) **Date of Patent:** **** May 23, 2023**

(54) **TOILET STOOL**

FOREIGN PATENT DOCUMENTS

(71) Applicant: **Bathroom Servant Corporation**,
Portland, OR (US)

EM 007986740-0002 * 6/2020

(72) Inventor: **Guangqiang Chu**, Portland, OR (US)

OTHER PUBLICATIONS

(73) Assignee: **Bathroom Servant Corporation**,
Portland, OR (US)

AmazerBath Bamboo Toilet Stool, available in Amazon.com, customer review oldest date Jan. 11, 2020 [online], Retrieved on Dec. 30, 2022 from URL: <https://www.amazon.com/AmazerBath-Bamboo-Squatting-Collapsible-Bathroom/dp/B086MWTSVC?th=1> (Year: 2020).*

(**) Term: **15 Years**

(Continued)

(21) Appl. No.: **29/737,094**

(22) Filed: **Jun. 5, 2020**

Primary Examiner — Vy N Koenig
Assistant Examiner — Michelle M Reeves

(30) **Foreign Application Priority Data**

(74) *Attorney, Agent, or Firm* — ScienBiziP, P.C.

Dec. 6, 2019 (CN) 201930681787.6

(51) **LOC (14) Cl.** **06-01**

(52) **U.S. Cl.**
USPC **D6/353**

(58) **Field of Classification Search**
USPC D6/334, 335, 336, 349, 352, 353, 656.1;
D23/309

CPC A47B 3/02; A47K 17/028; A47C 16/025
See application file for complete search history.

(57) **CLAIM**

The ornamental design for a toilet stool, as shown and described.

DESCRIPTION

FIG. 1 is a top, front, right side perspective view of a toilet stool, showing my design.

FIG. 2 is a bottom, rear, left side perspective view.

FIG. 3 is a front elevation view.

FIG. 4 is a rear elevation view.

FIG. 5 is a left side elevation view.

FIG. 6 is a right side elevation view.

FIG. 7 is a top plan view.

FIG. 8 is a bottom plan view.

FIG. 9 is an enlarged view of detail 9 in FIG. 2; and,

FIG. 10 is an enlarged view of detail 10 in FIG. 8.

The broken lines shown in the drawings are included for the purpose of illustrating portions of the toilet stool that form no part of the claimed design. In addition, the dot-dash broken lines in FIGS. 2, 8, 9 and 10 depict the boundaries of the enlargements that form no part of the claimed design.

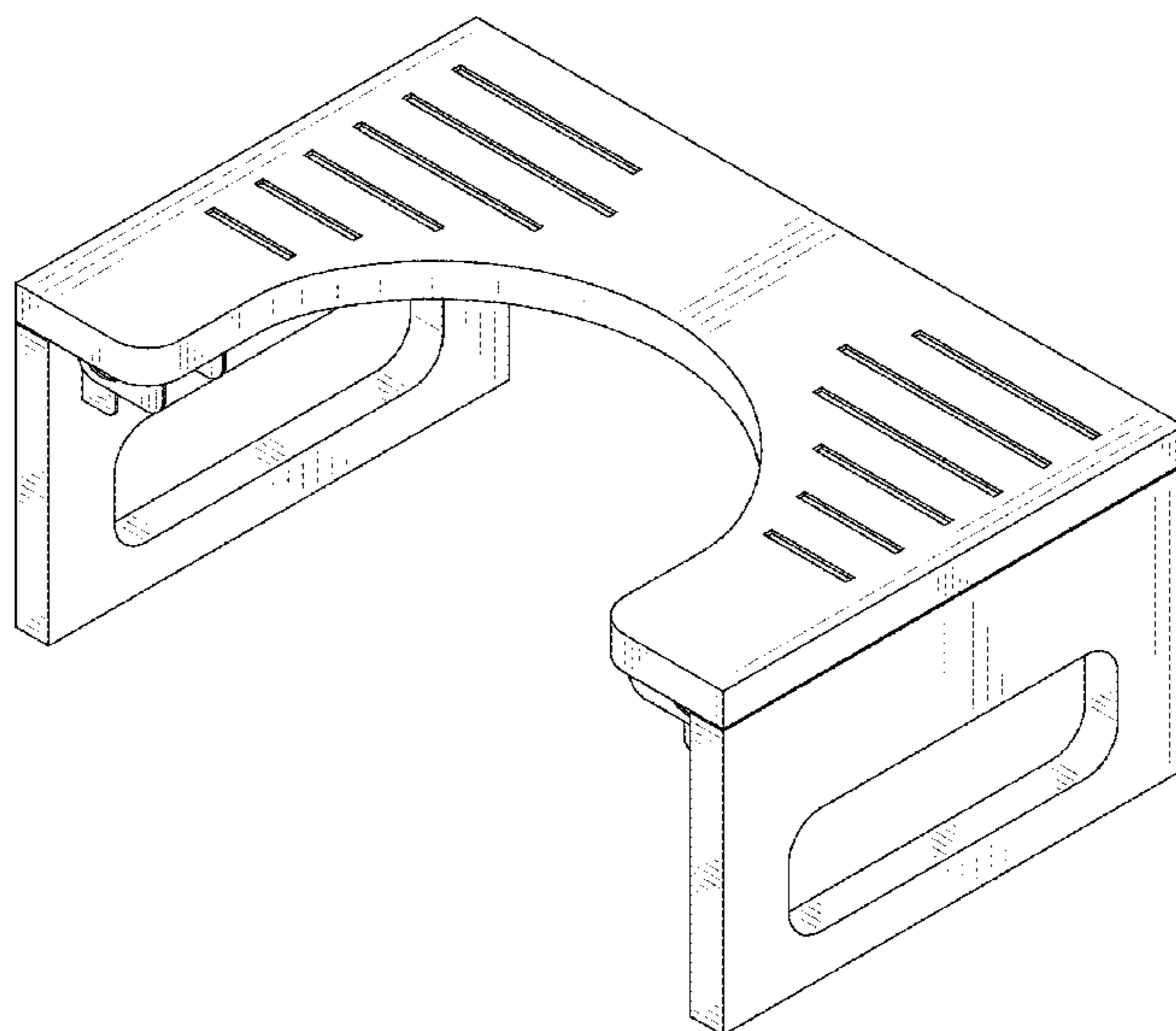
(56) **References Cited**

U.S. PATENT DOCUMENTS

D738,126	S	*	9/2015	Edwards	D6/349
D766,604	S	*	9/2016	Edwards	A47C 9/105
						D6/353
D787,845	S	*	5/2017	Edwards	D6/353
D797,466	S	*	9/2017	Zioni	D6/353
D840,166	S	*	2/2019	Nthercott	D6/353
D842,618	S	*	3/2019	Nthercott	D6/353
D847,521	S	*	5/2019	Lisnic	D6/353
D933,401	S	*	10/2021	Polidoros	D6/656.1
D960,593	S	*	8/2022	Bailie-Bellew	D6/352
2019/0150682	A1	*	5/2019	Nthercott	A47K 17/028
2020/0046180	A1	*	2/2020	Nthercott	A47K 17/028

(Continued)

1 Claim, 10 Drawing Sheets



(56)

References Cited

U.S. PATENT DOCUMENTS

2022/0007842 A1* 1/2022 Chu A47K 17/028
2022/0369821 A1* 11/2022 Kropfelder A47K 17/028

OTHER PUBLICATIONS

AmazerBath Toilet Stool with Stainless Steel Legs, customer review
oldest date Nov. 18, 2020 [online], Retrieved on Dec. 30, 2022 from
URL: <https://www.nepal.ubuy.com/en/product/3NNKIKO1S> (Year:
2020).*

* cited by examiner

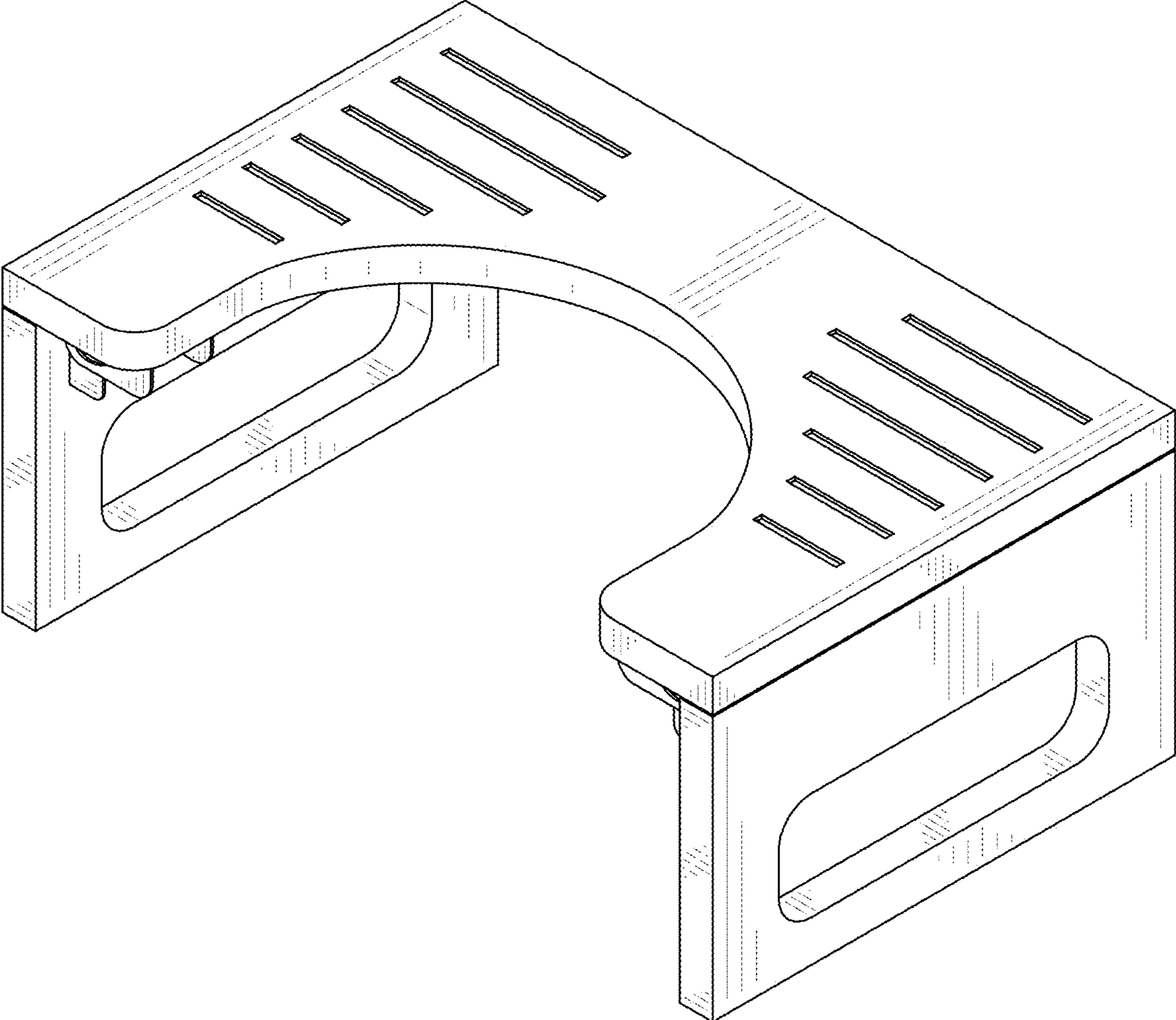


FIG. 1

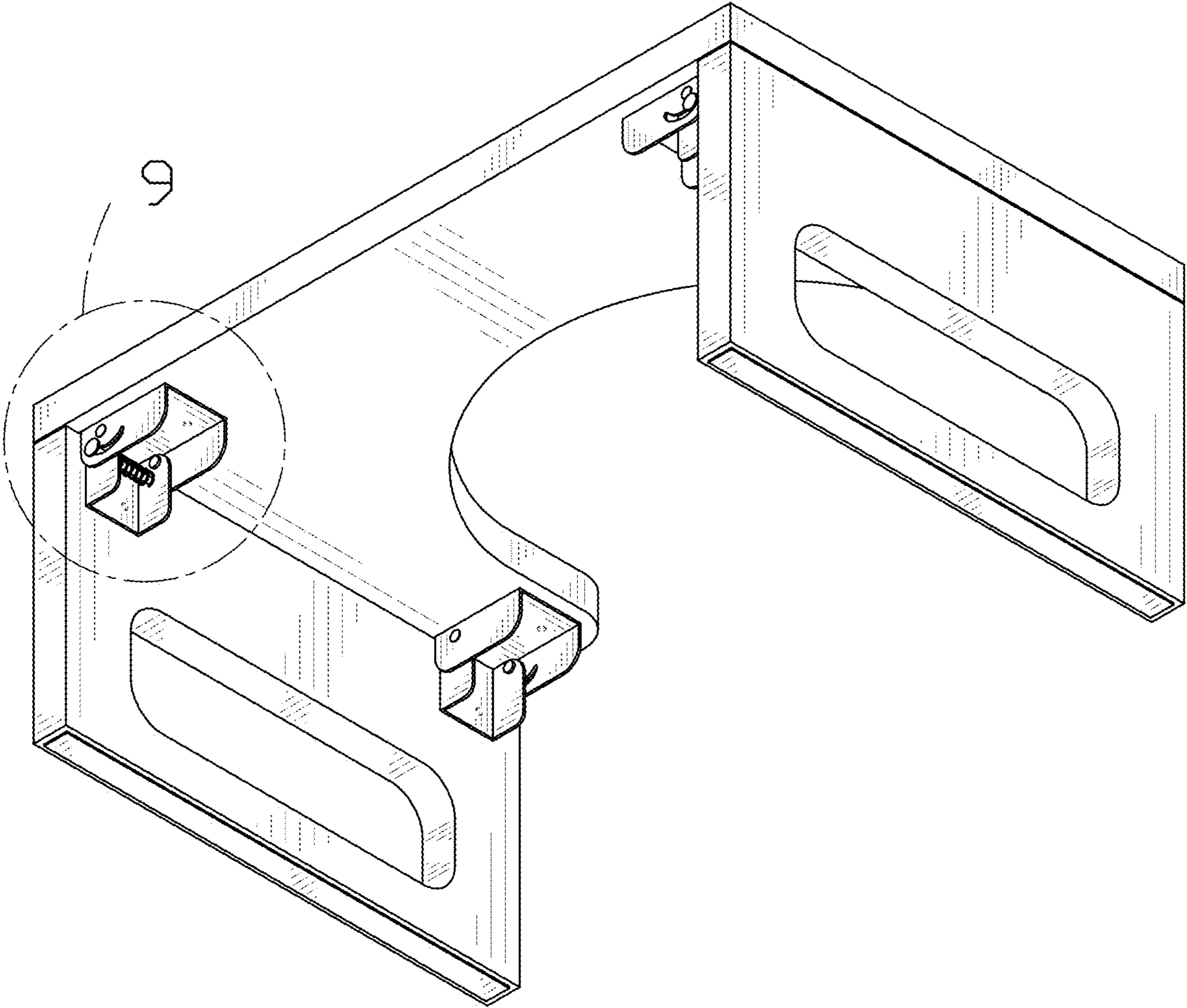


FIG. 2

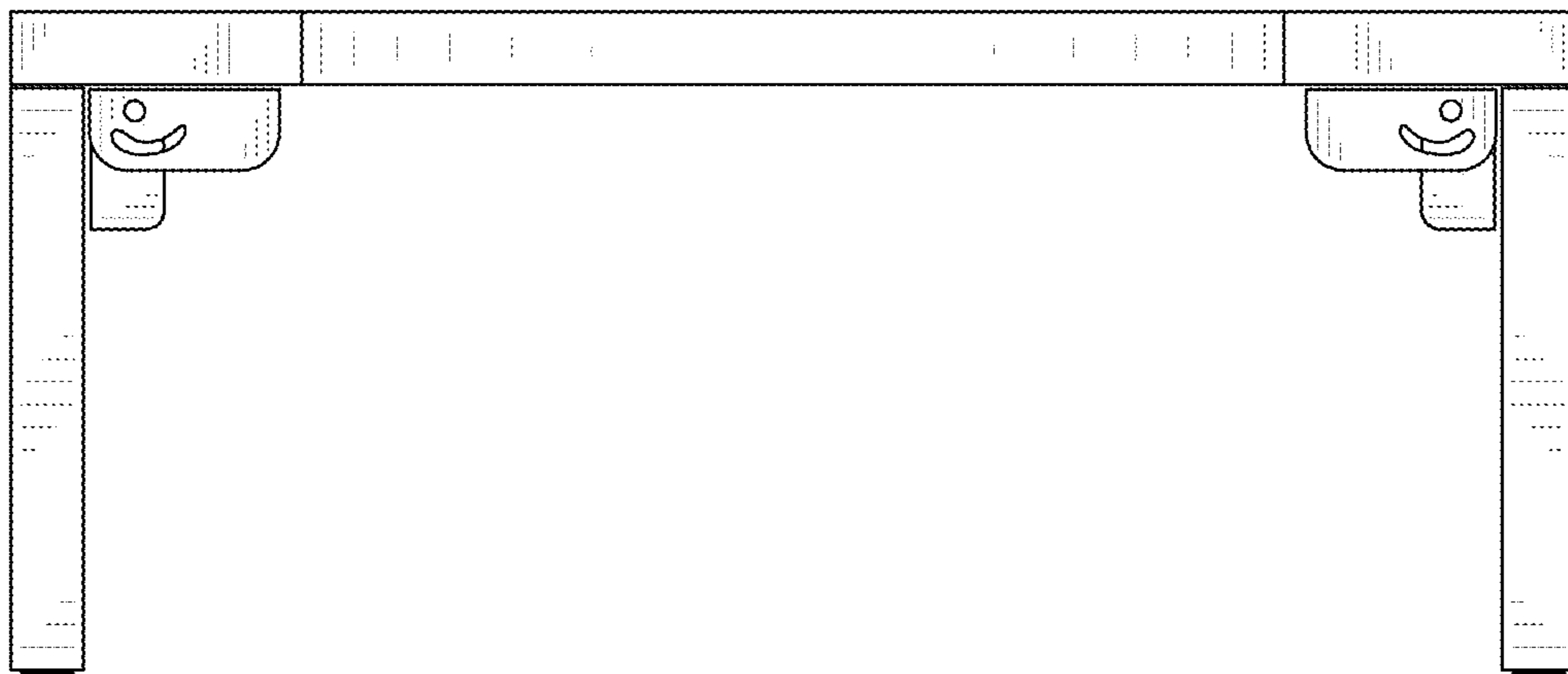


FIG. 3



FIG. 4

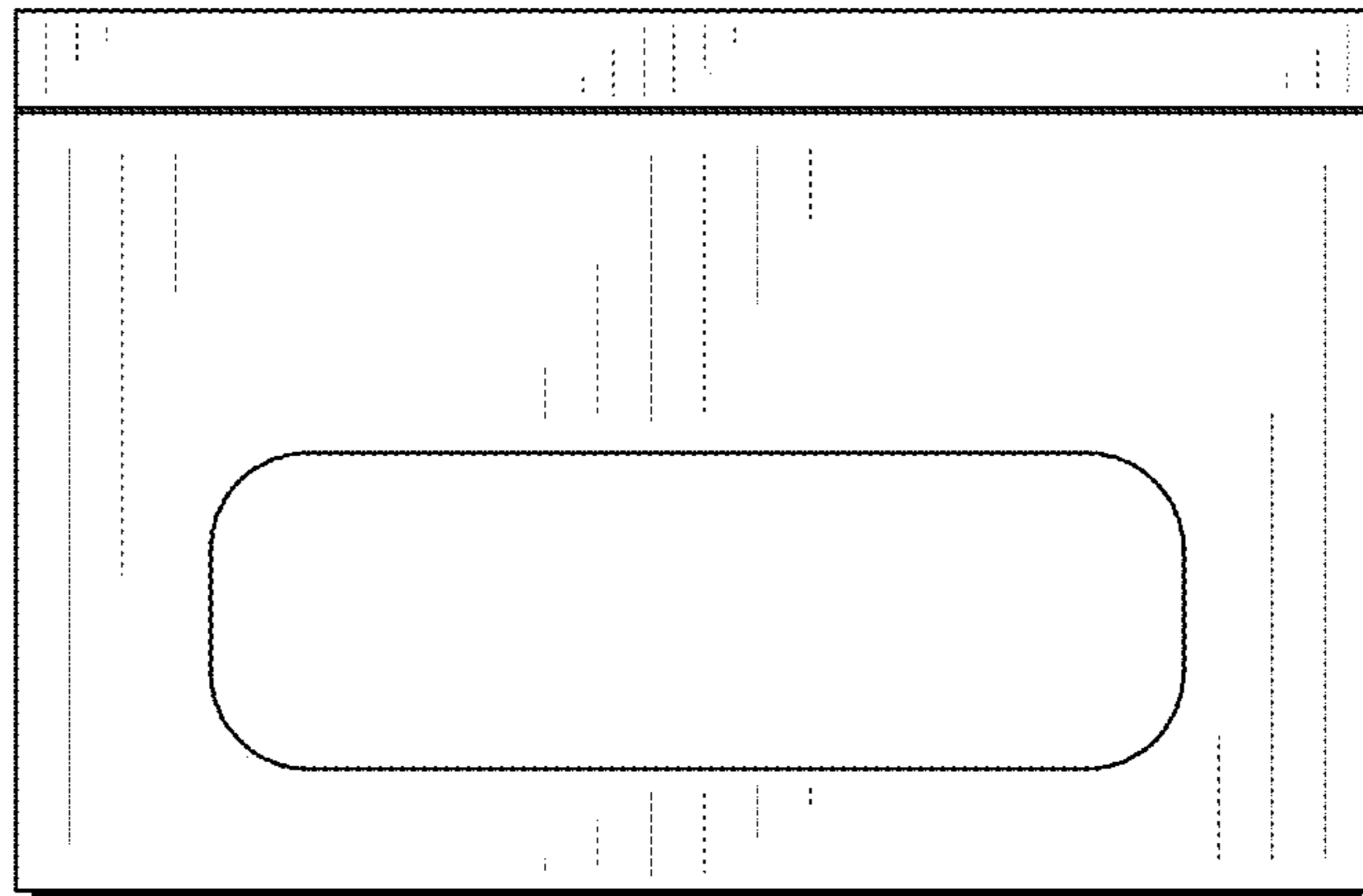


FIG. 5

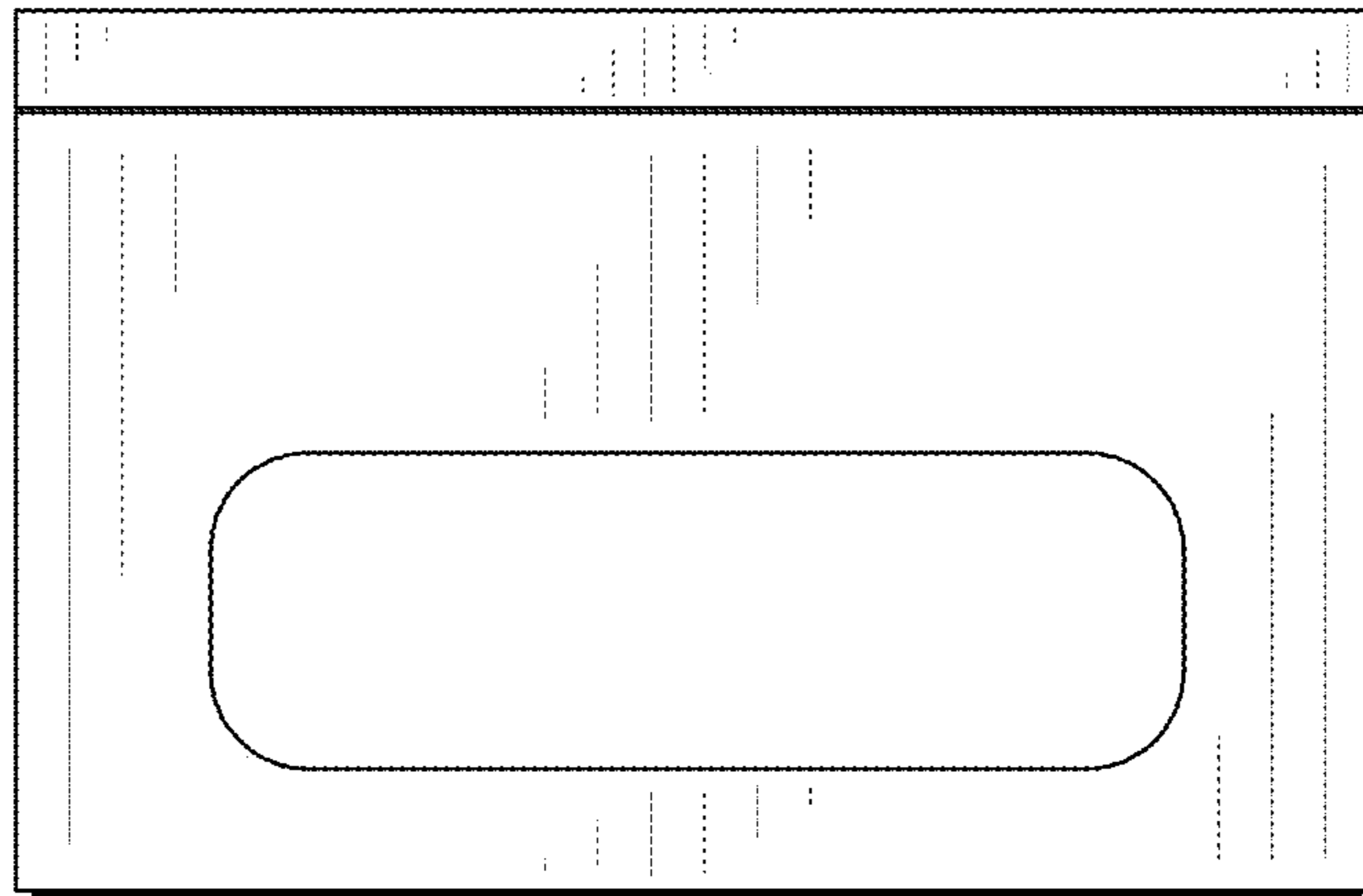


FIG. 6

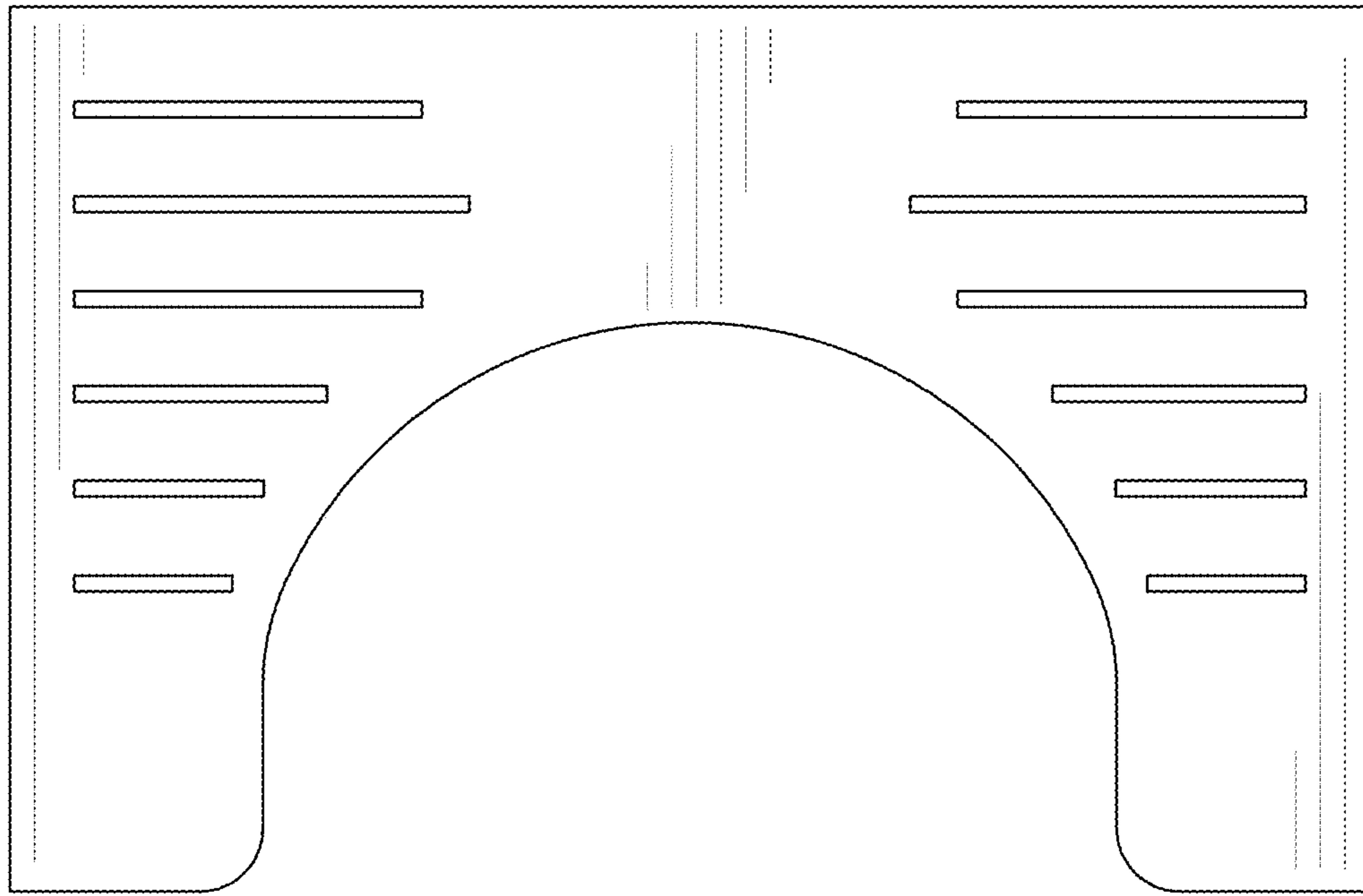


FIG. 7

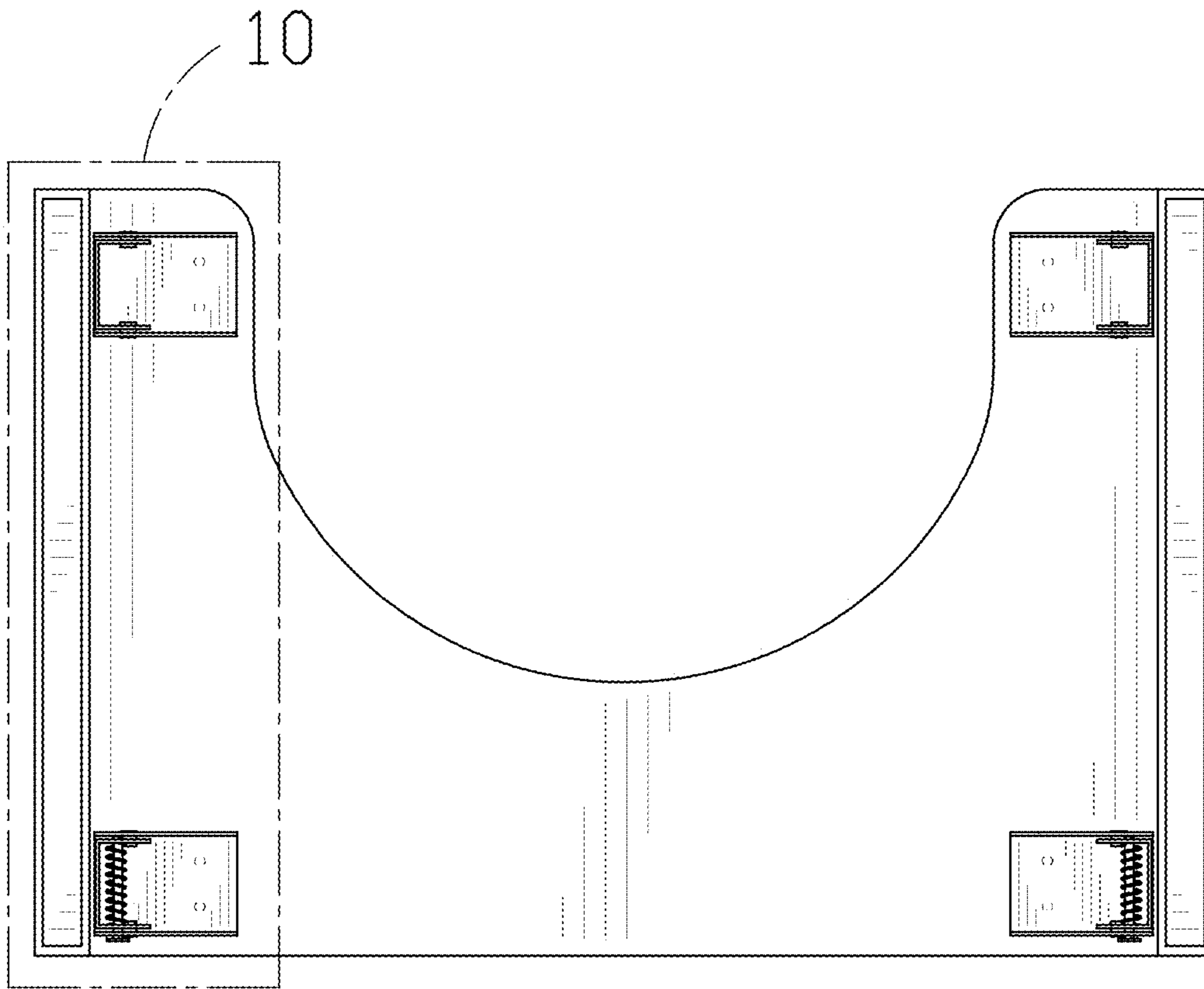


FIG. 8

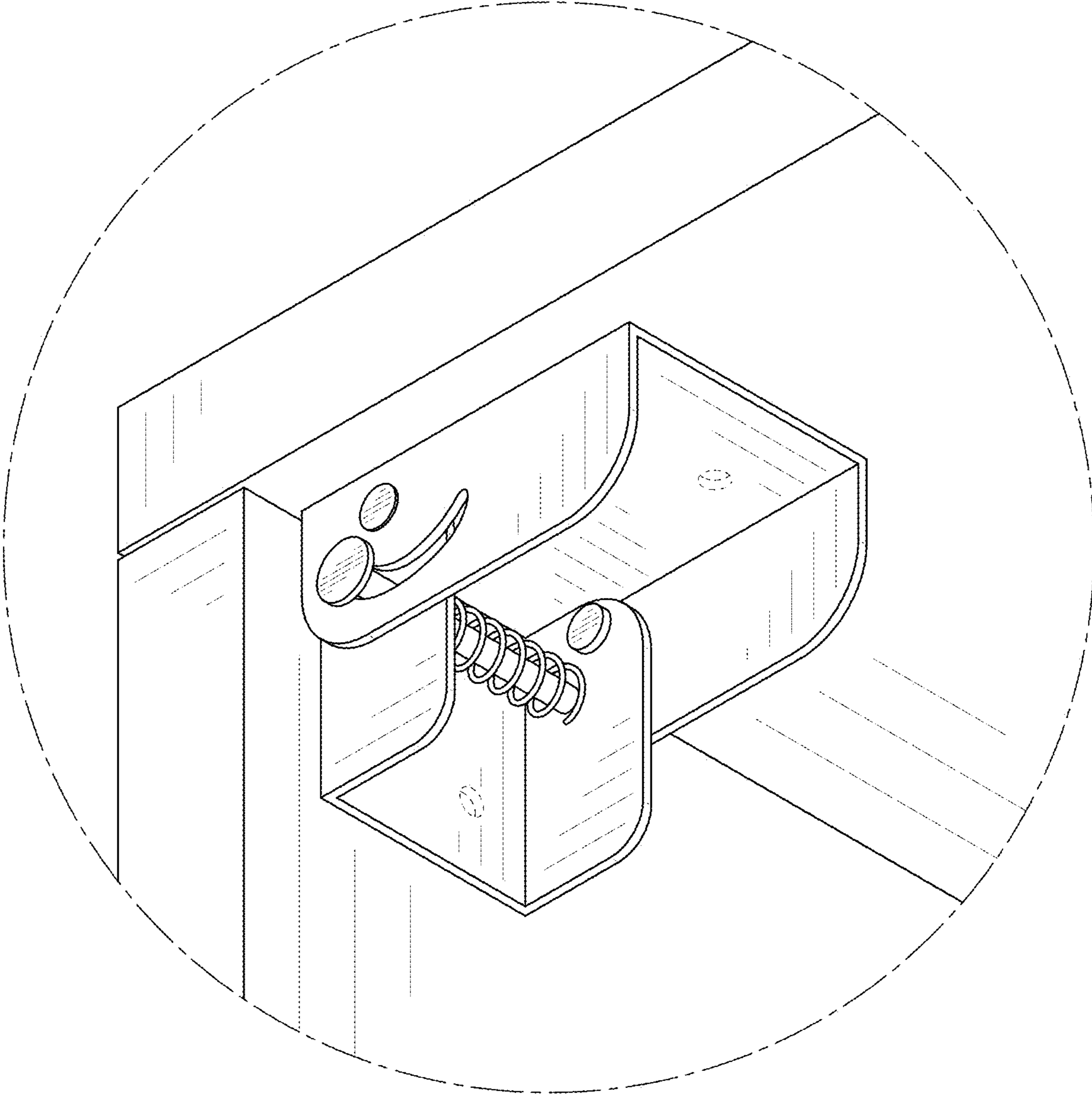


FIG. 9

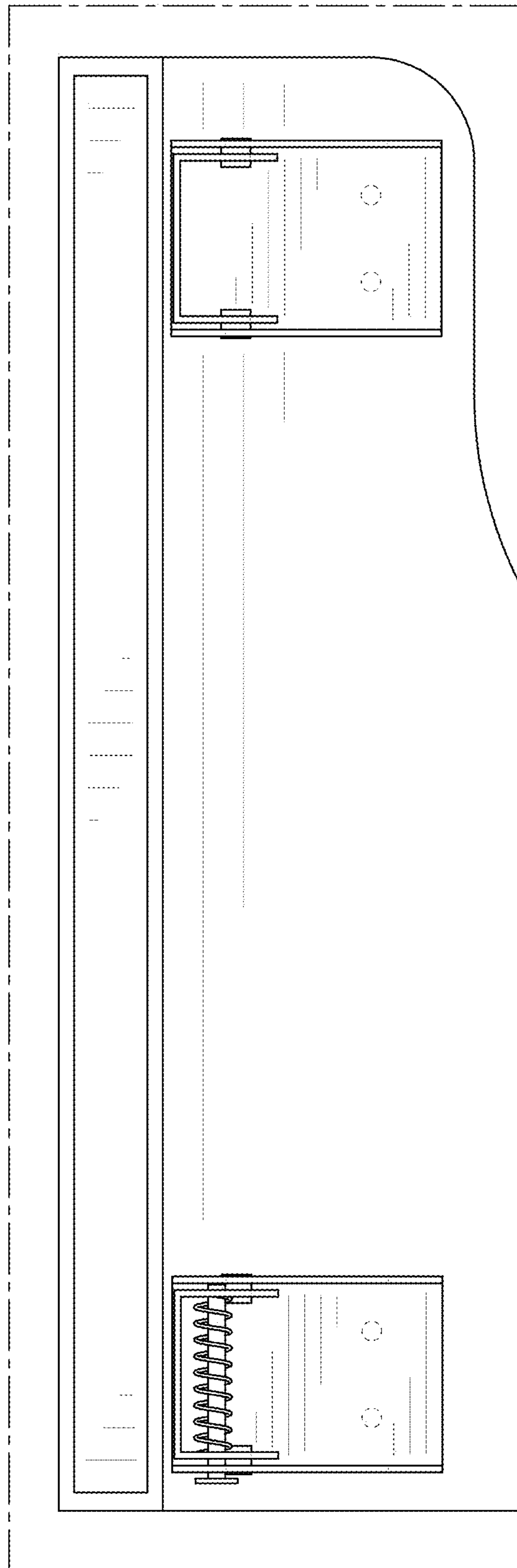


FIG. 10