



US00D986608S

(12) **United States Design Patent**
Zhou

(10) **Patent No.:** **US D986,608 S**

(45) **Date of Patent:** **** May 23, 2023**

(54) **STEP STOOL**

(71) Applicant: **Taizhou Erchen Dangjia Baby Products Co., Ltd., Zhejiang (CN)**

(72) Inventor: **Xiaoyan Zhou, Zhejiang (CN)**

(73) Assignee: **Taizhou Erchen Dangjia Baby Products Co., Ltd., Zhejiang (CN)**

(**) Term: **15 Years**

(21) Appl. No.: **29/800,936**

(22) Filed: **Jul. 25, 2021**

(30) **Foreign Application Priority Data**

Mar. 9, 2021 (CN) 202130125950.8

(51) **LOC (14) Cl.** **06-01**

(52) **U.S. Cl.**
USPC **D6/350; D25/65**

(58) **Field of Classification Search**

USPC D6/334-365, 691, 692, 694, 698, 700,
D6/707, 708, 716; D25/63, 65

CPC A47C 12/00; A47C 13/00; A47C 16/02;
A47C 16/03; A47C 16/04; A47K 17/02;
A47K 17/028

See application file for complete search history.

(56) **References Cited**

U.S. PATENT DOCUMENTS

D194,399 S * 1/1963 De Muth D25/63
D465,032 S * 10/2002 Robbins D25/63
D865,386 S * 11/2019 Sphikas D6/350
D871,090 S * 12/2019 Nethercott D6/351
D924,577 S * 7/2021 Marsden D6/349

D925,934 S * 7/2021 Marsden D6/349
D925,935 S * 7/2021 Marsden A47C 12/00
D6/349
D955,124 S * 6/2022 Xu D6/350
D959,159 S * 8/2022 He D6/350
D962,663 S * 9/2022 Chen D6/350
2021/0169228 A1* 6/2021 Yang A47C 12/00

FOREIGN PATENT DOCUMENTS

CN 306617219 * 6/2021
EM 0086372680001 * 7/2021

* cited by examiner

Primary Examiner — T Chase Nelson

Assistant Examiner — Sydney Margaret Parsley

(74) *Attorney, Agent, or Firm* — True Shepherd, LLC;
Andrew Cheng

(57) **CLAIM**

The ornamental design for a step stool, as shown and described.

DESCRIPTION

FIG. 1 is a front, right, and top perspective view of a step stool, showing my design.

FIG. 2 is a front, left, and bottom perspective view thereof.

FIG. 3 is a front elevation view thereof.

FIG. 4 is a rear elevation view thereof.

FIG. 5 is a left side elevation view thereof.

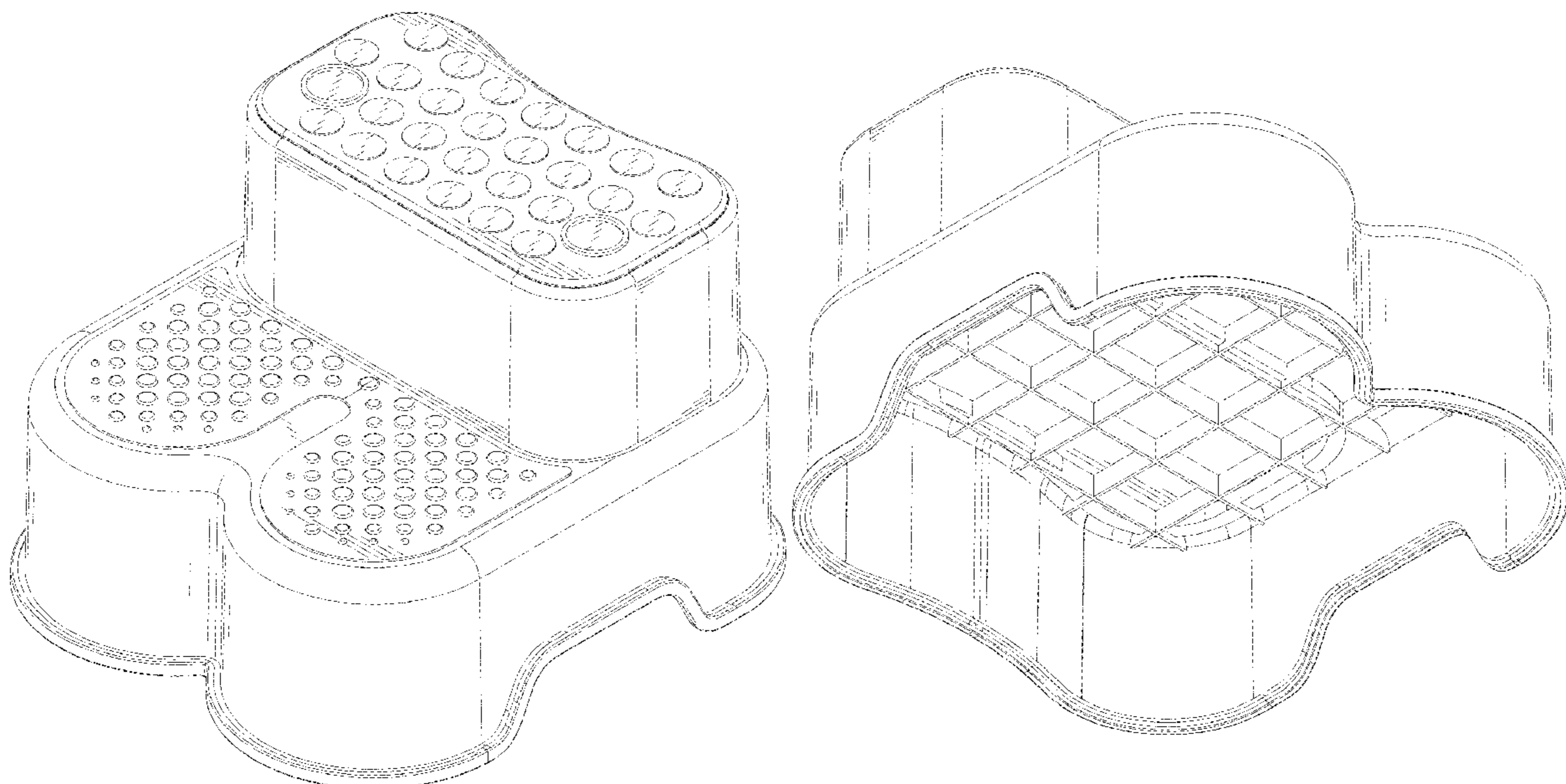
FIG. 6 is a right side elevation view thereof.

FIG. 7 is a top plan view thereof.

FIG. 8 is a bottom plan view thereof; and,

FIG. 9 is an exploded view thereof.

1 Claim, 9 Drawing Sheets



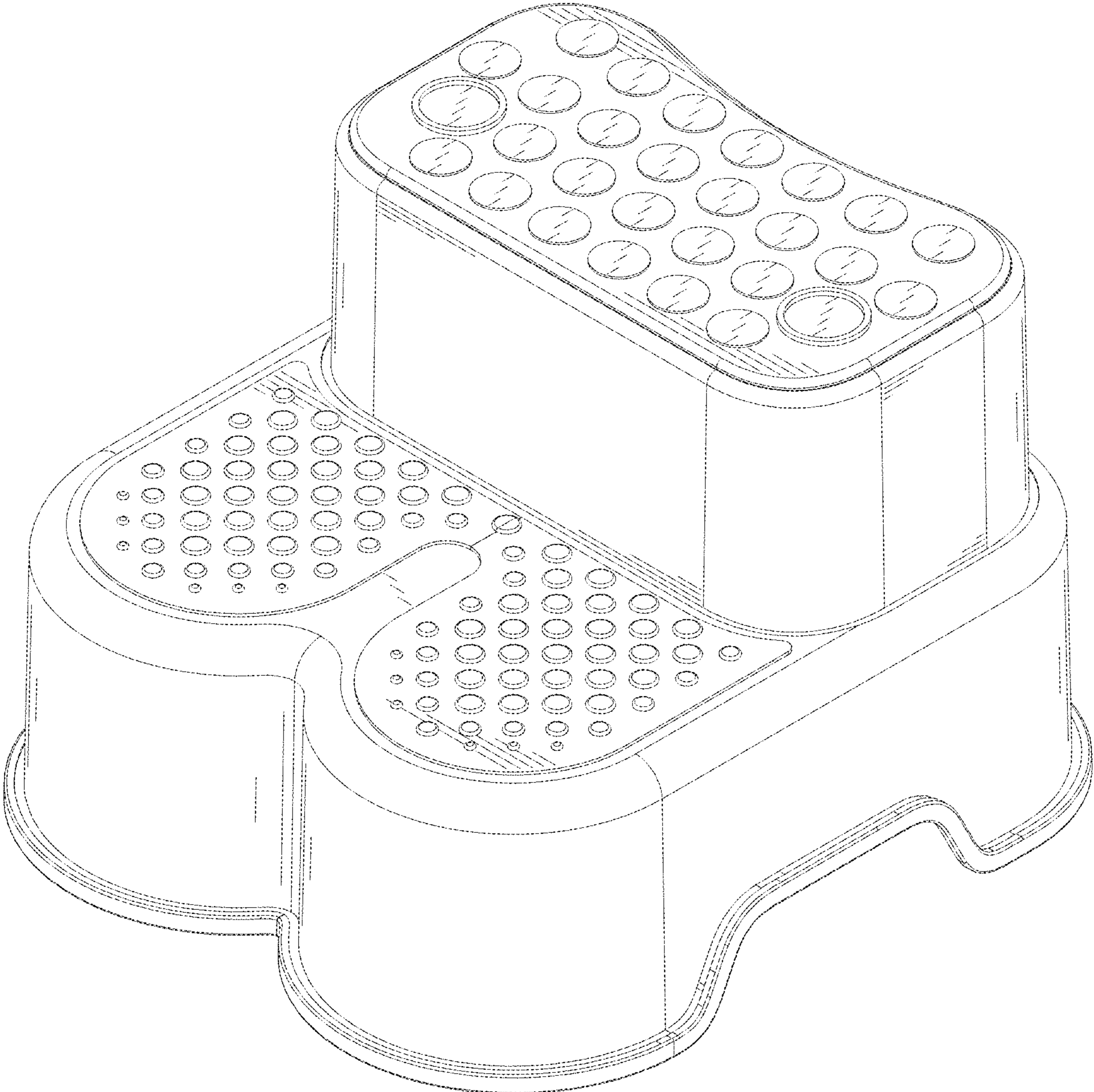


FIG.1

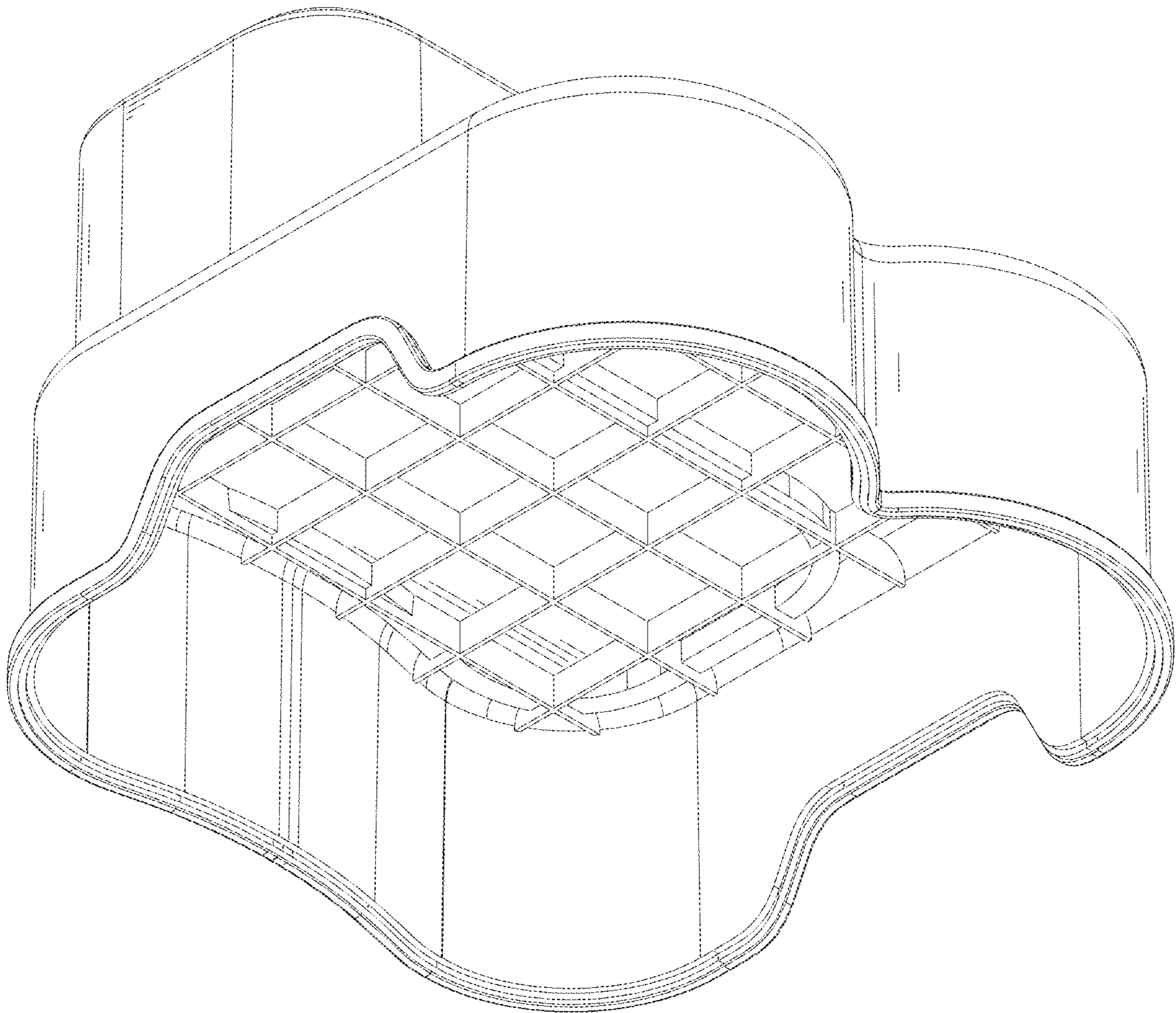


FIG. 2

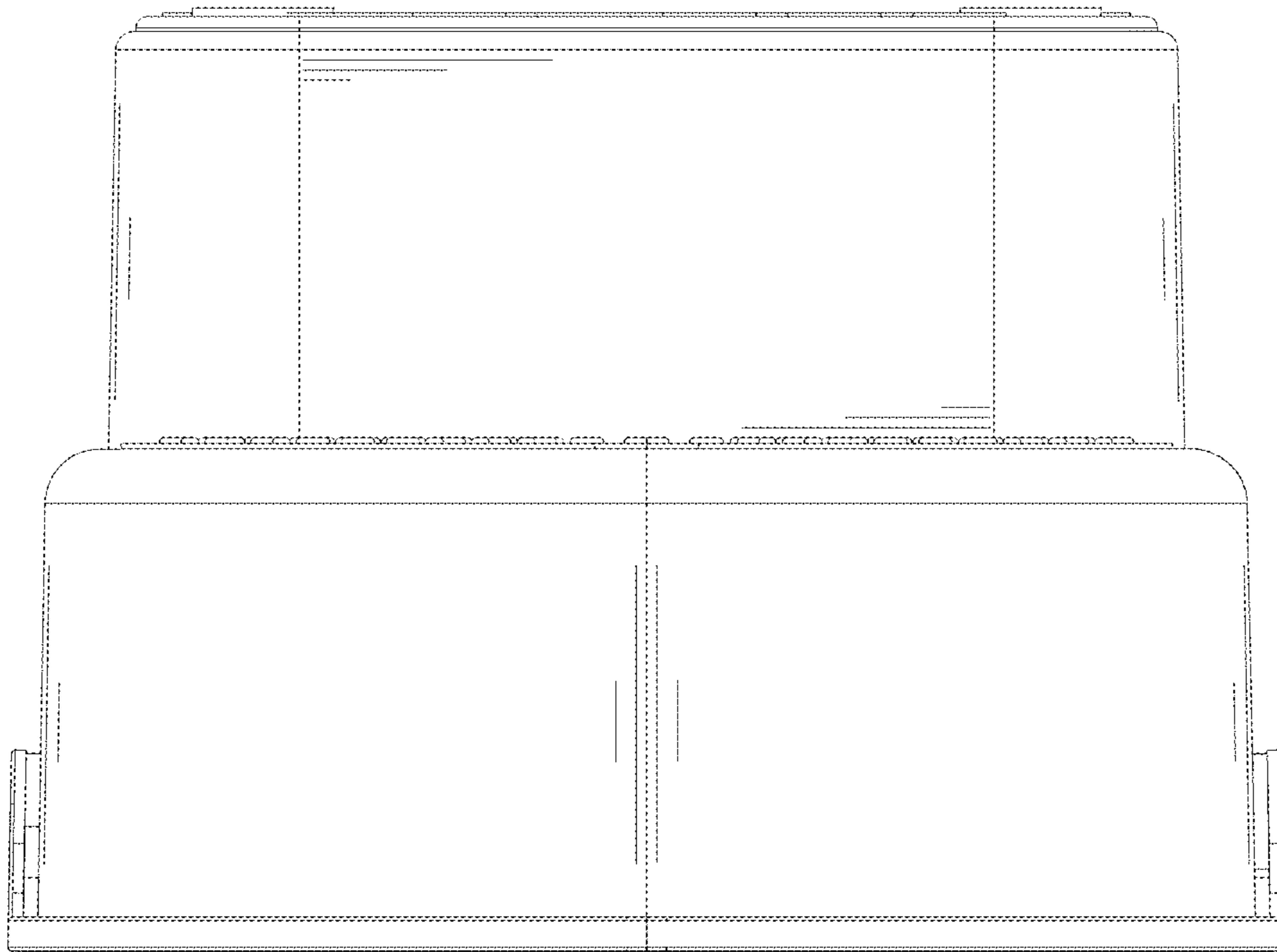


FIG. 3

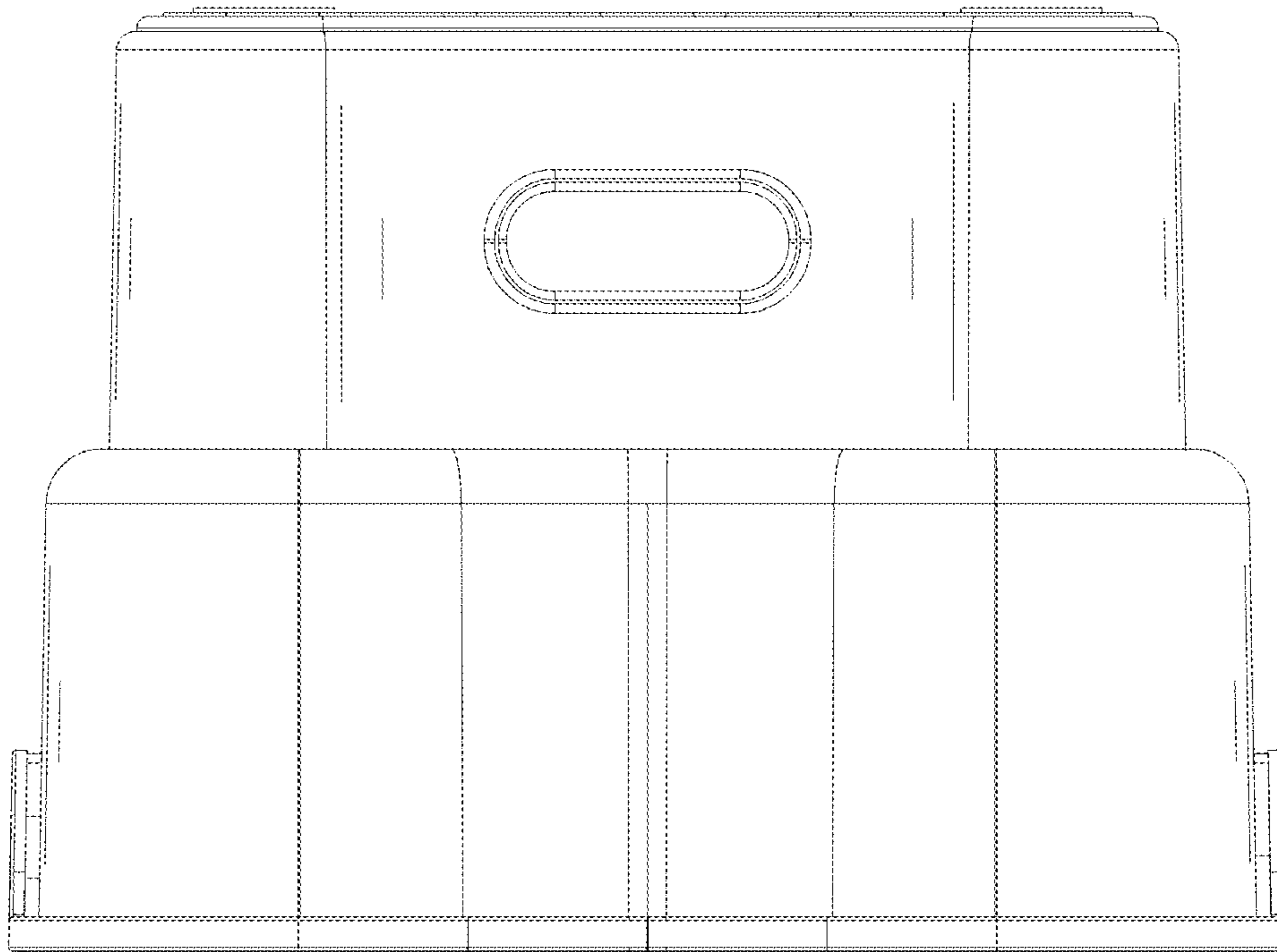


FIG.4

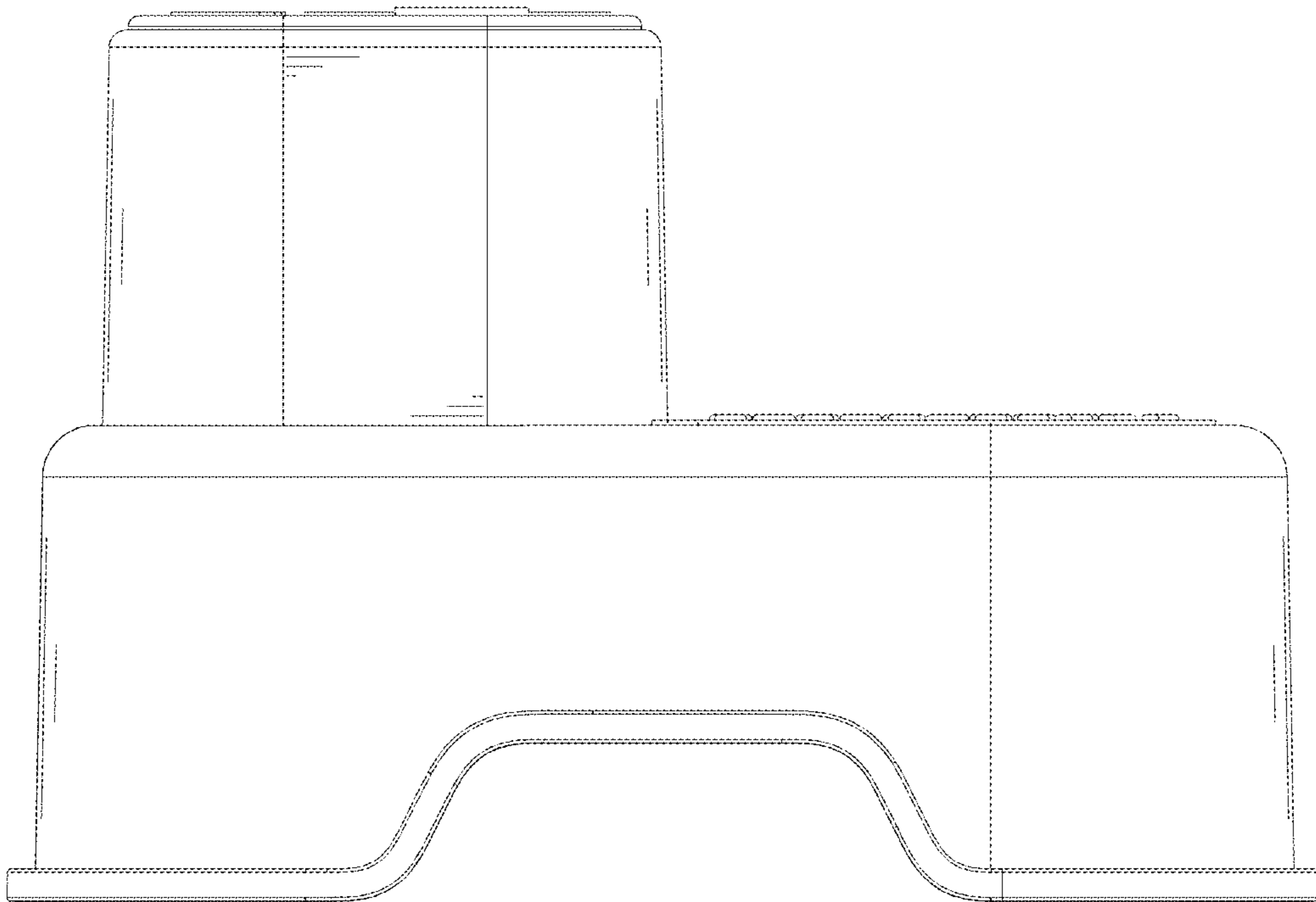


FIG. 5

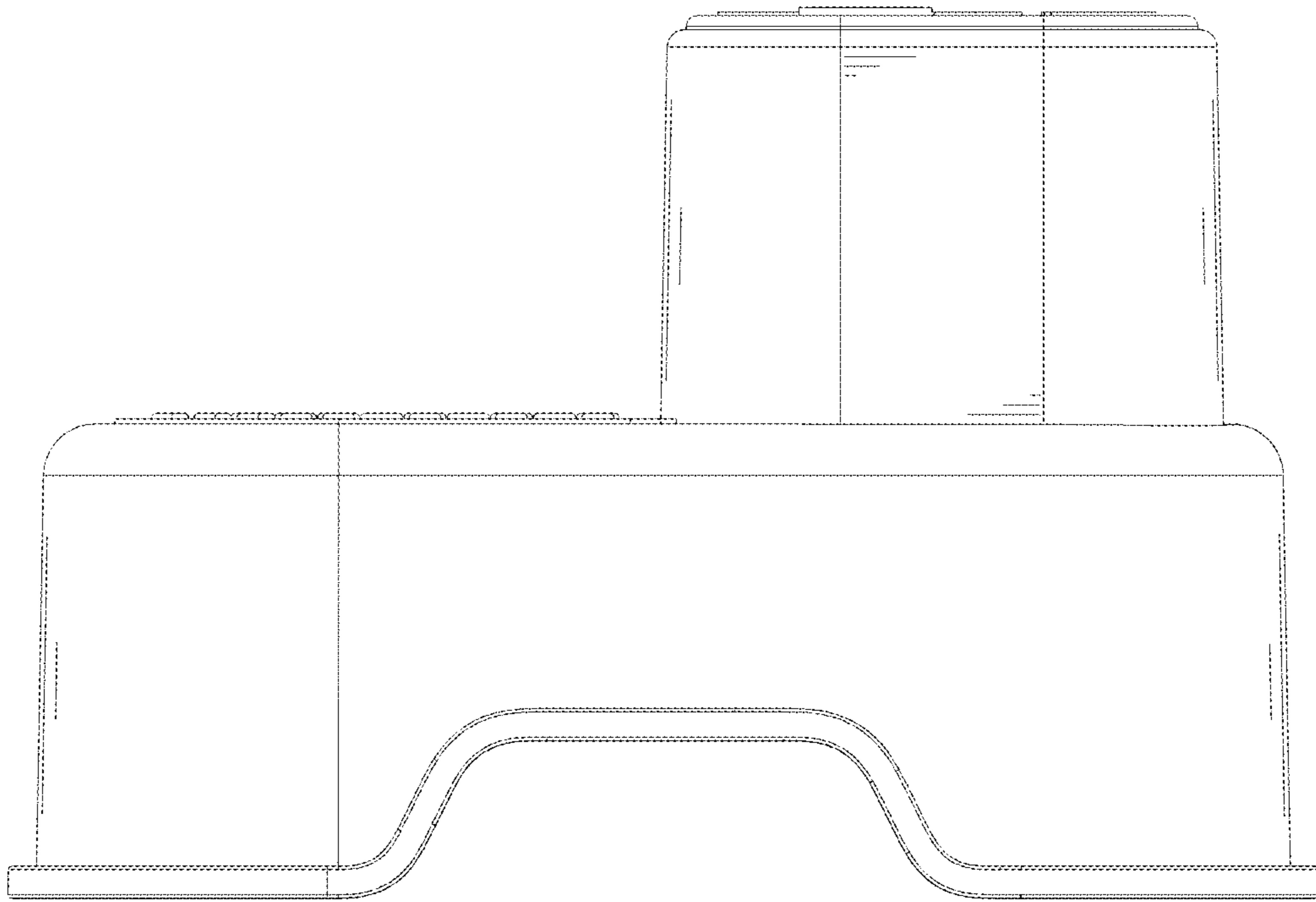


FIG. 6

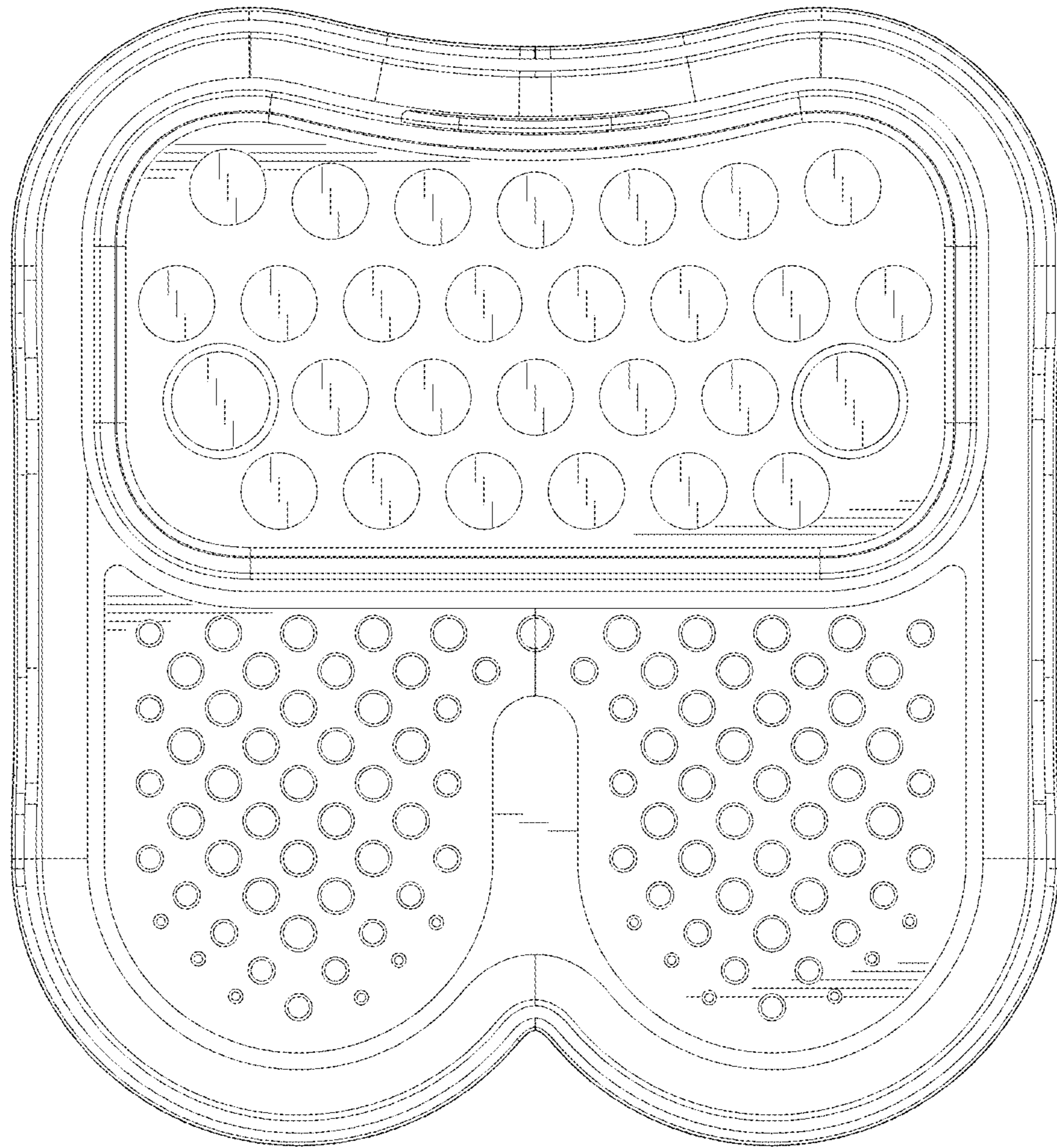


FIG. 7

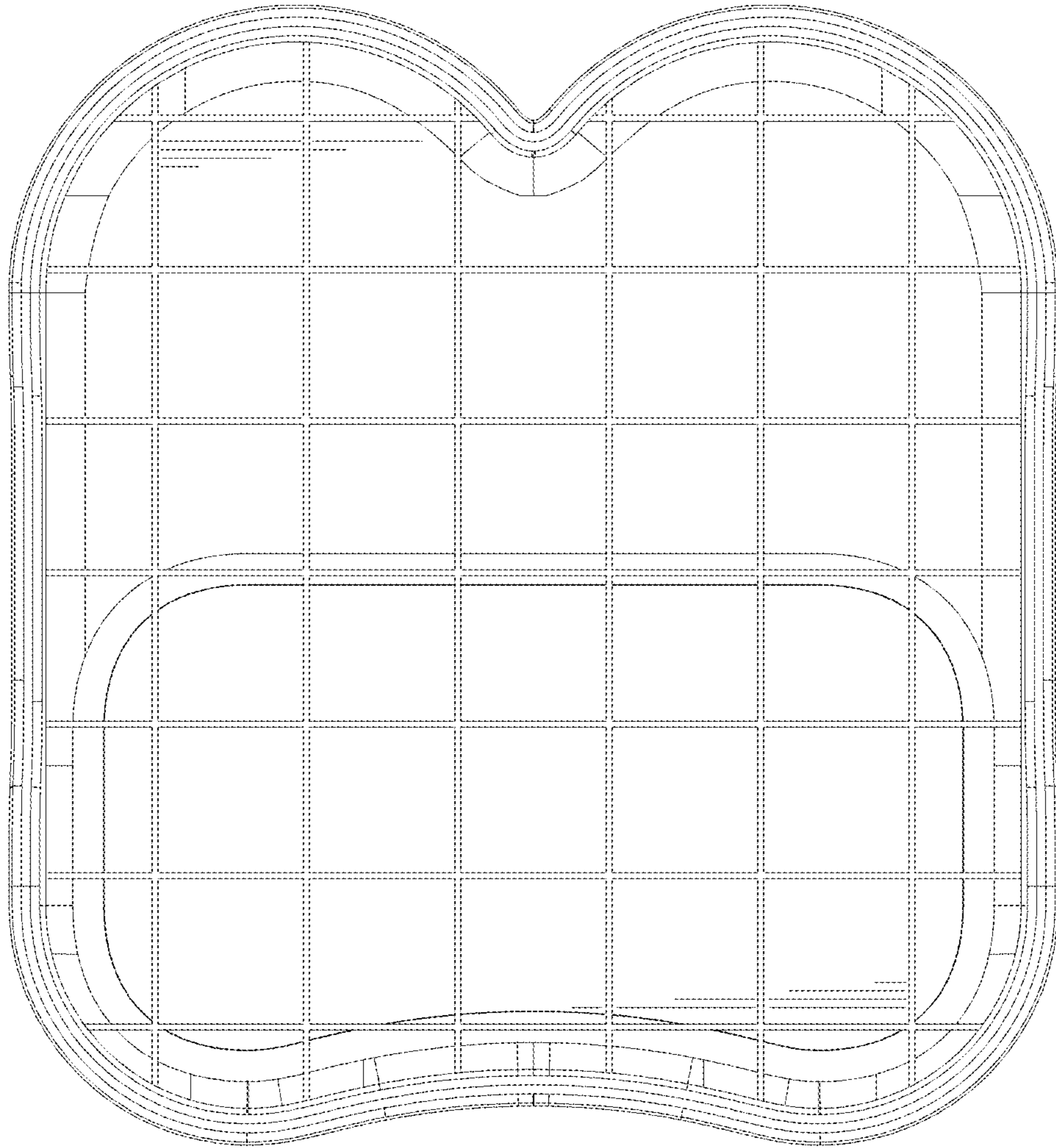


FIG. 8

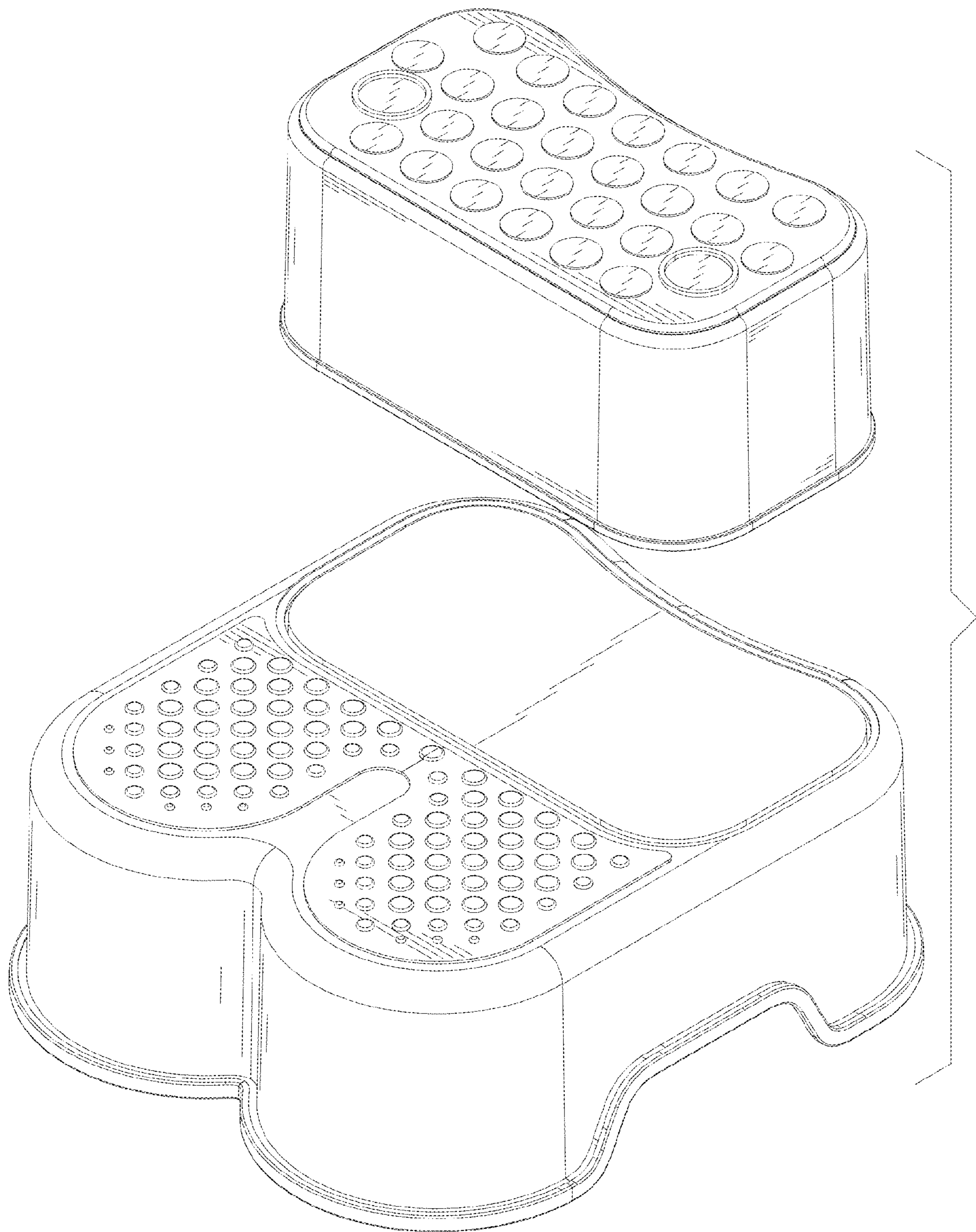


FIG. 9