



US00D986605S

(12) **United States Design Patent**  
**Song**

(10) **Patent No.:** **US D986,605 S**

(45) **Date of Patent:** **\*\* May 23, 2023**

- (54) **TODDLER AIRPLANE SEAT EXTENDER**
- (71) Applicant: **Tao Song**, Ganzhou (CN)
- (72) Inventor: **Tao Song**, Ganzhou (CN)
- (\*\*) Term: **15 Years**
- (21) Appl. No.: **29/848,632**
- (22) Filed: **Aug. 4, 2022**
- (51) **LOC (14) Cl.** ..... **06-01**
- (52) **U.S. Cl.**  
USPC ..... **D6/611; D6/716.6**
- (58) **Field of Classification Search**  
USPC ..... D6/333, 382, 383, 385, 386, 387, 392,  
D6/716, 716.1, 716.6, 718.1, 611  
CPC ..... B60N 3/06; B60N 2/2833; A47D 7/002  
See application file for complete search history.

- D768,402 S \* 10/2016 Acosta ..... D6/387
- D819,986 S \* 6/2018 Longenecker ..... D6/333
- D871,719 S \* 1/2020 Peterson ..... D2/719
- D966,749 S \* 10/2022 Xu ..... D6/611
- D971,645 S \* 12/2022 Zukof ..... D6/611
- 2015/0336487 A1\* 11/2015 Blackledge ..... B60N 2/28  
297/250.1

\* cited by examiner

*Primary Examiner* — Deanna L Pratt

(74) *Attorney, Agent, or Firm* — Runit Ranjit Kanakia

(57) **CLAIM**

The ornamental design for a toddler airplane seat extender, as shown and described.

**DESCRIPTION**

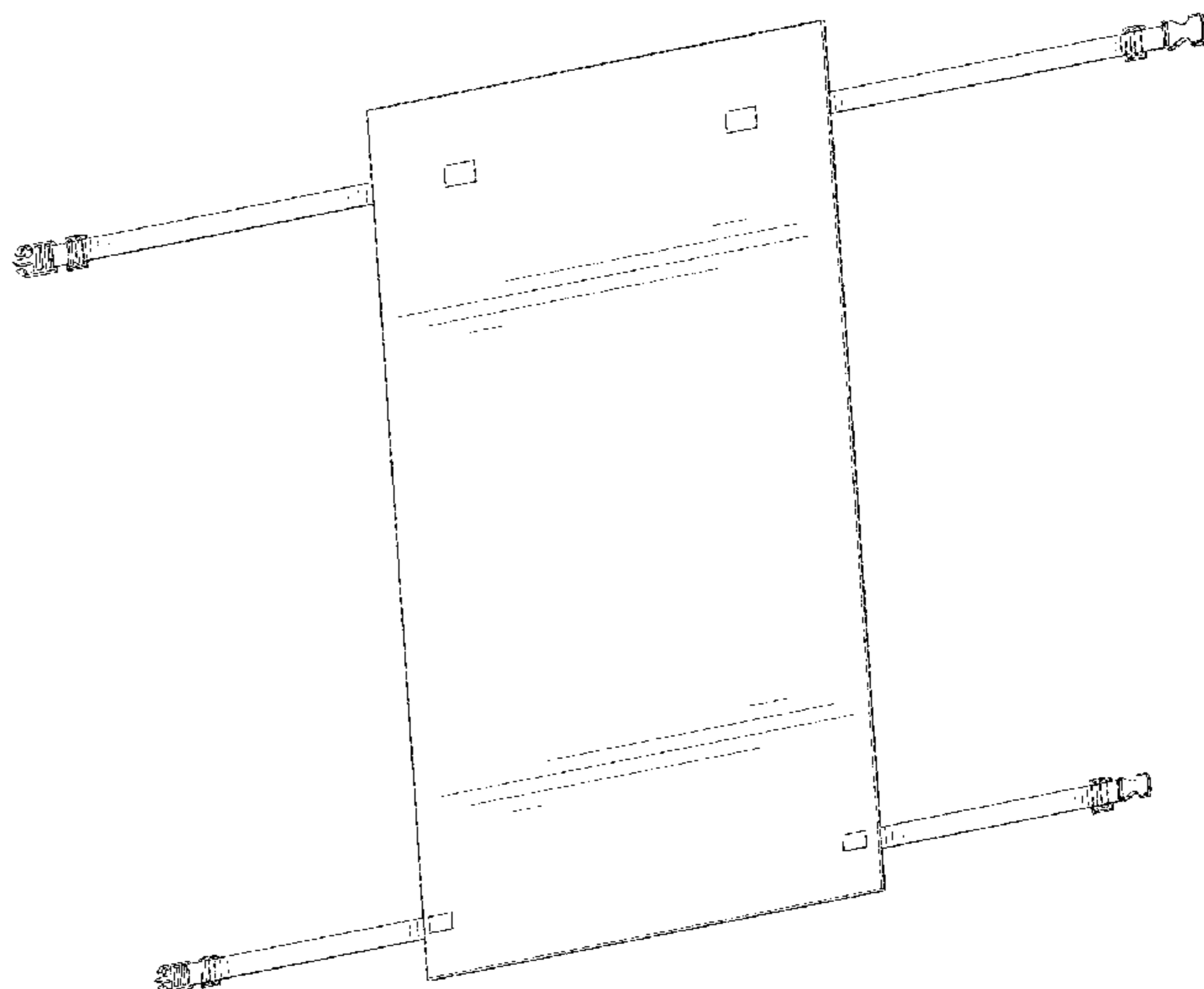
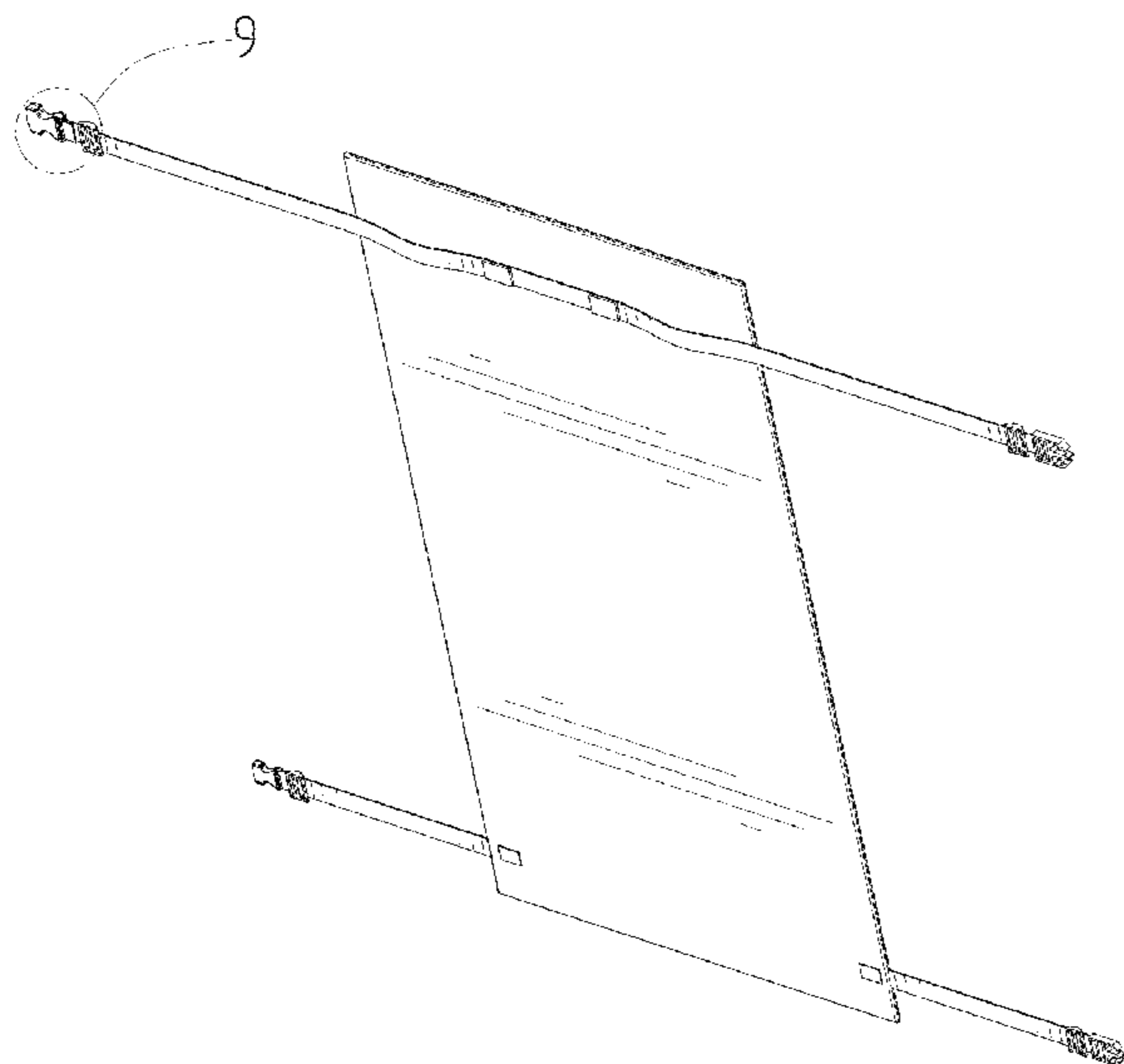
FIG. 1 is a first perspective view of a toddler airplane seat extender showing my new design;  
 FIG. 2 is a second perspective view thereof;  
 FIG. 3 is a front view thereof;  
 FIG. 4 is a back view thereof;  
 FIG. 5 is a left side view thereof;  
 FIG. 6 is a right side view thereof;  
 FIG. 7 is a top view thereof;  
 FIG. 8 is a bottom view thereof; and,  
 FIG. 9 is an enlarged view of the selected portion 9 in FIG. 1.

The broken lines shown in the drawings depict portions of the toddler airplane seat extender that form no part of the claimed design.

**1 Claim, 9 Drawing Sheets**

(56) **References Cited**  
U.S. PATENT DOCUMENTS

- 2,260,584 A \* 10/1941 Schuck ..... A47D 7/04  
24/457
- D407,670 S \* 4/1999 Muhanna ..... D12/128
- D407,671 S \* 4/1999 Muhanna ..... D12/128
- D436,281 S \* 1/2001 Thompson ..... D6/333
- D496,322 S \* 9/2004 Farney ..... D12/401
- D548,479 S \* 8/2007 Clark ..... D6/333
- D602,839 S \* 10/2009 Carrow ..... D12/401
- D677,966 S \* 3/2013 Natkin ..... D6/611
- D692,260 S \* 10/2013 Rodormer ..... D6/611
- D702,072 S \* 4/2014 Neff ..... D6/718.1
- D726,471 S 4/2015 Cogorno
- D726,472 S 4/2015 Cogorno
- D727,080 S 4/2015 Cogorno
- D763,014 S \* 8/2016 Millman ..... D6/606



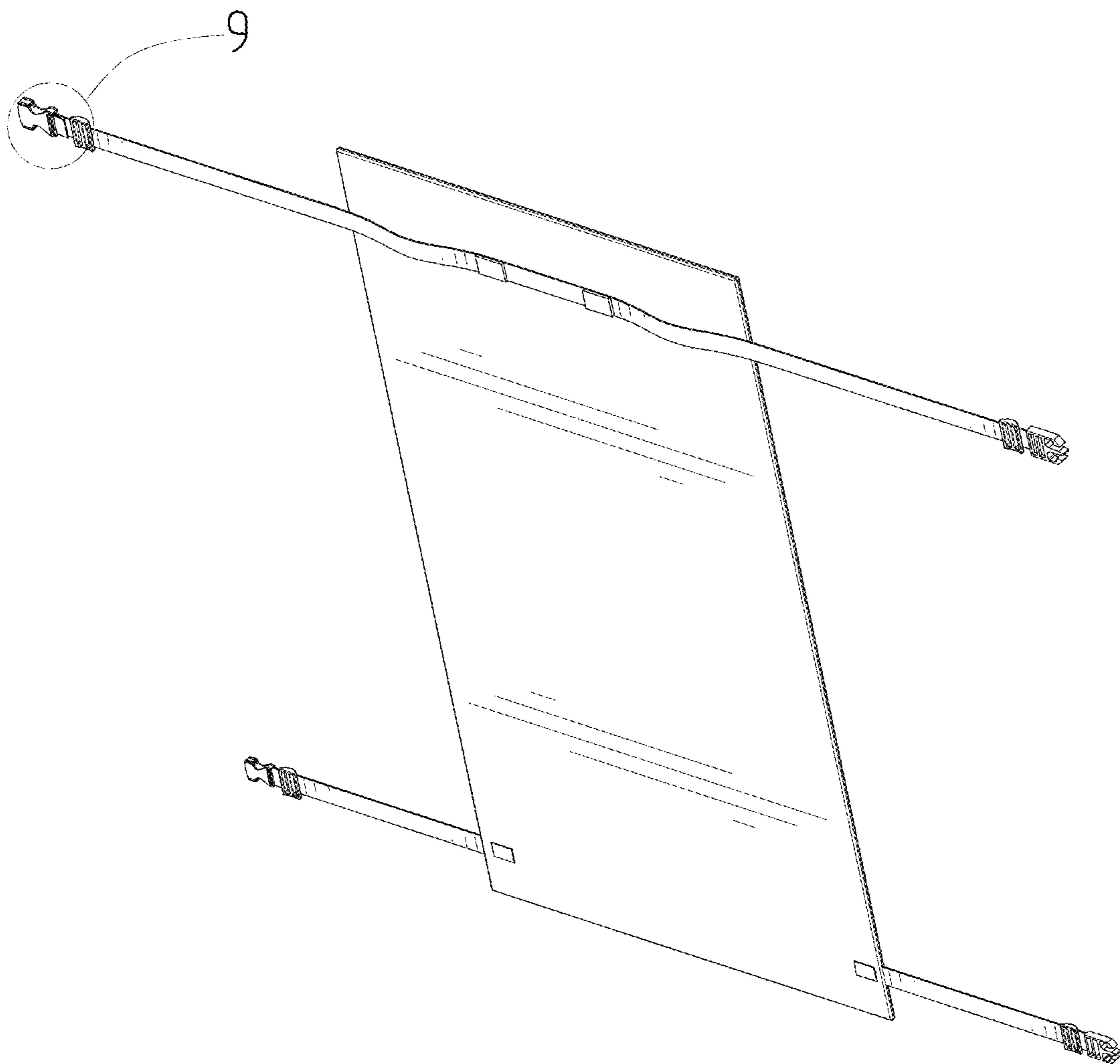


FIG. 1

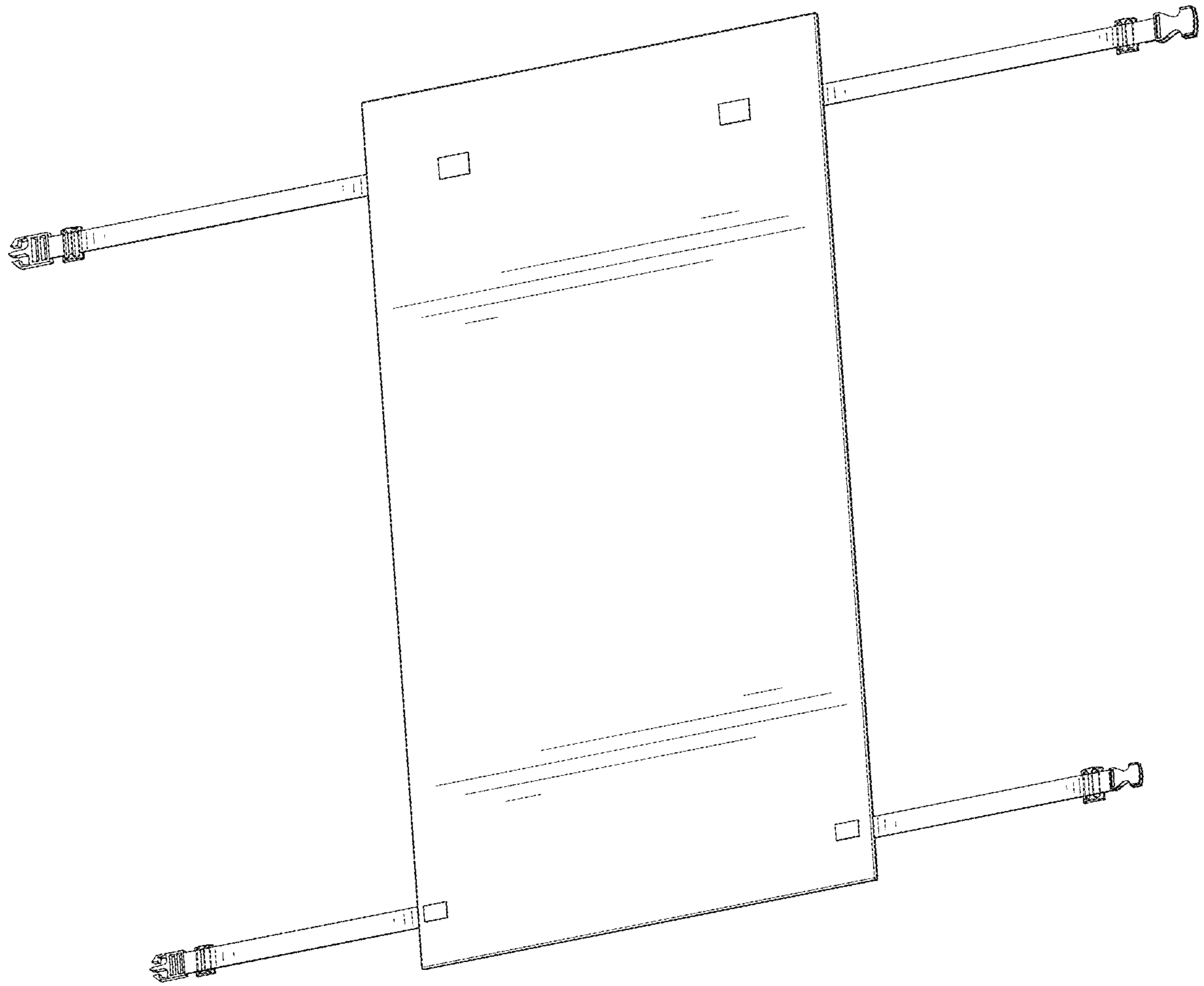


FIG. 2

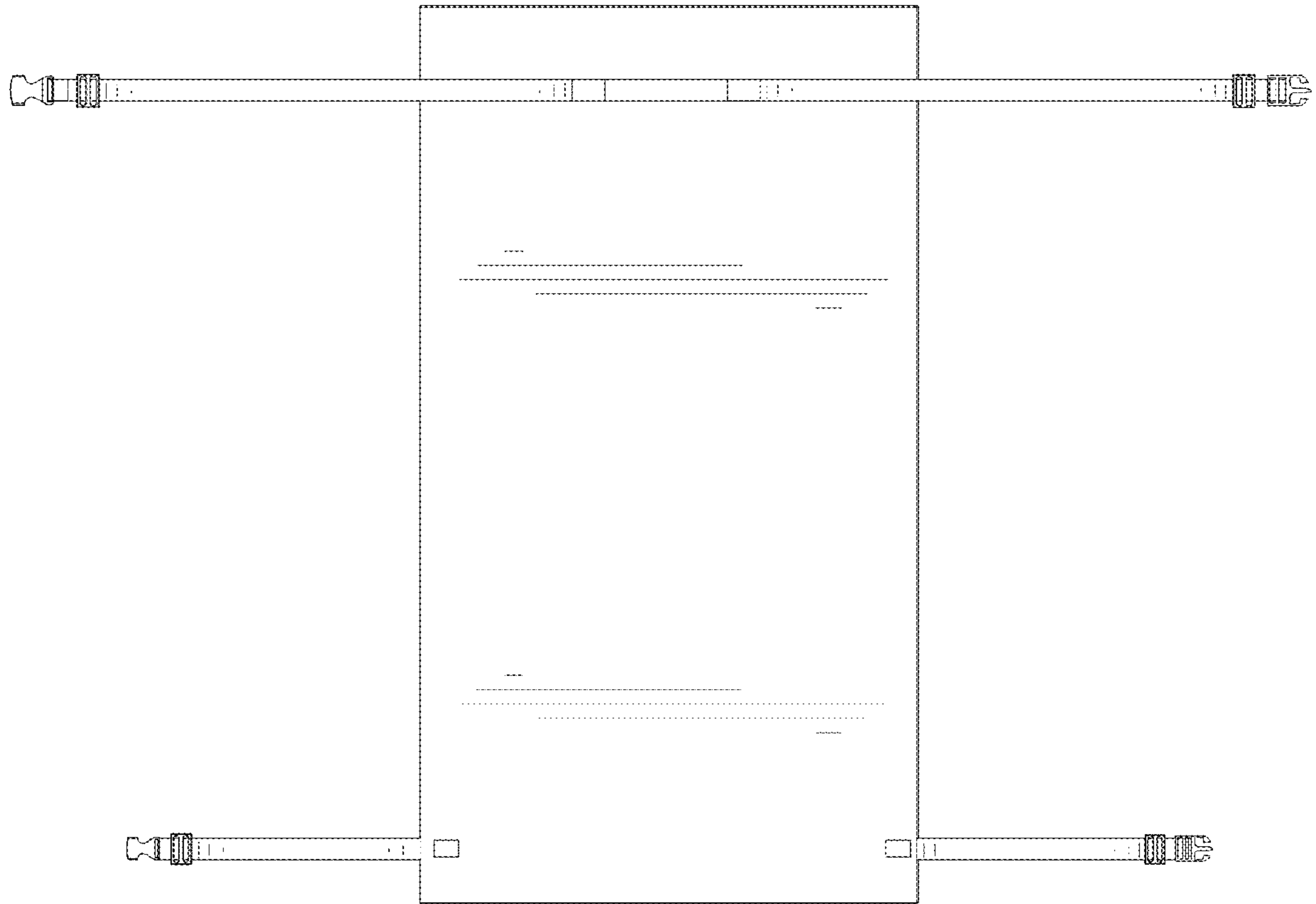


FIG. 3

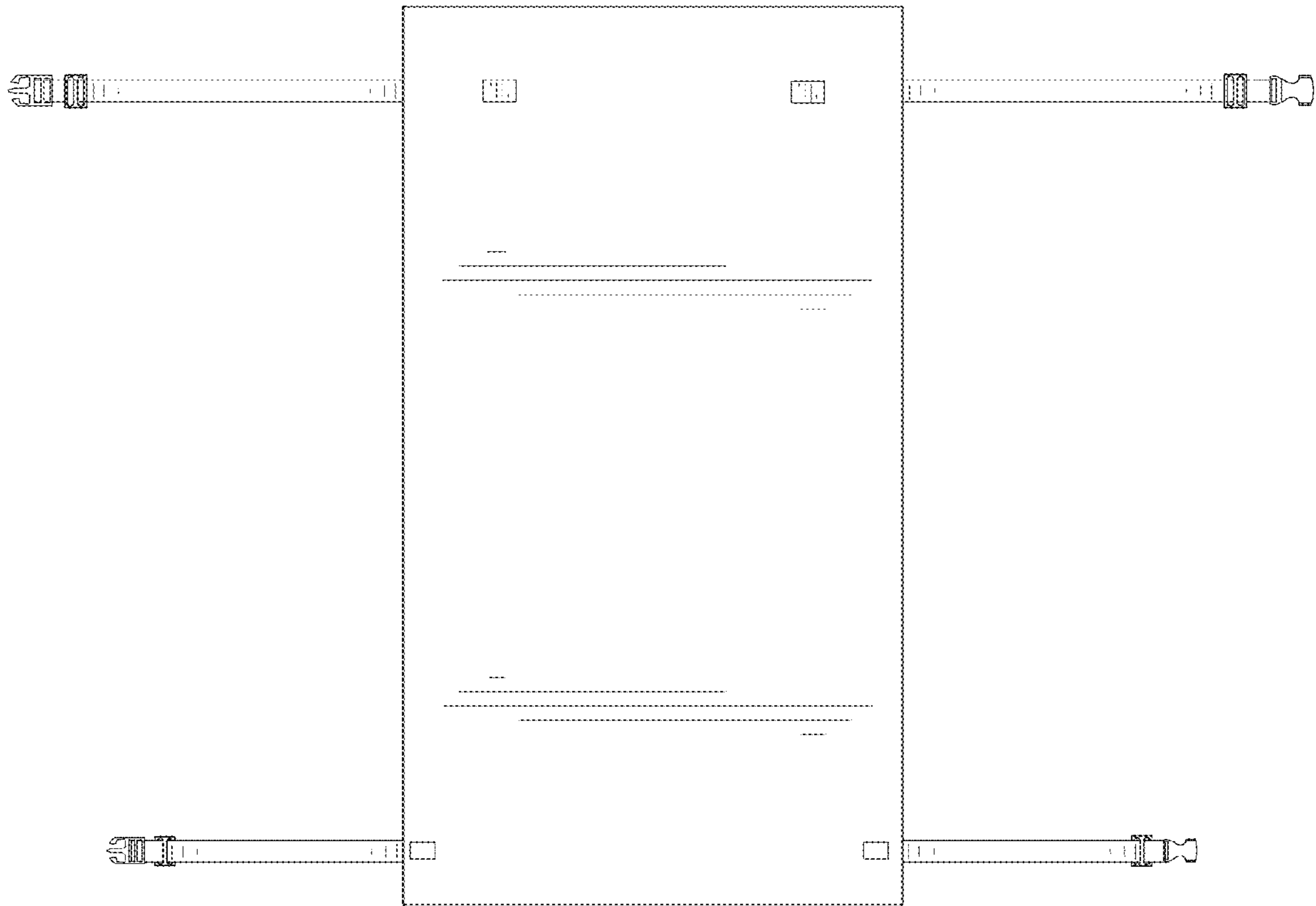


FIG. 4

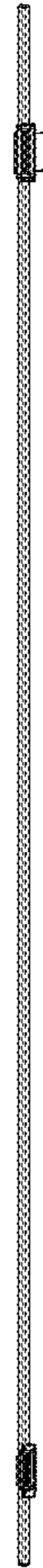


FIG. 5



FIG. 6

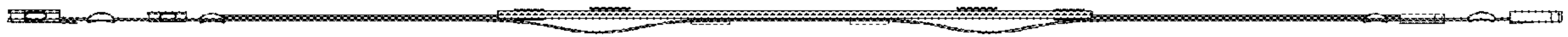


FIG. 7





FIG. 8

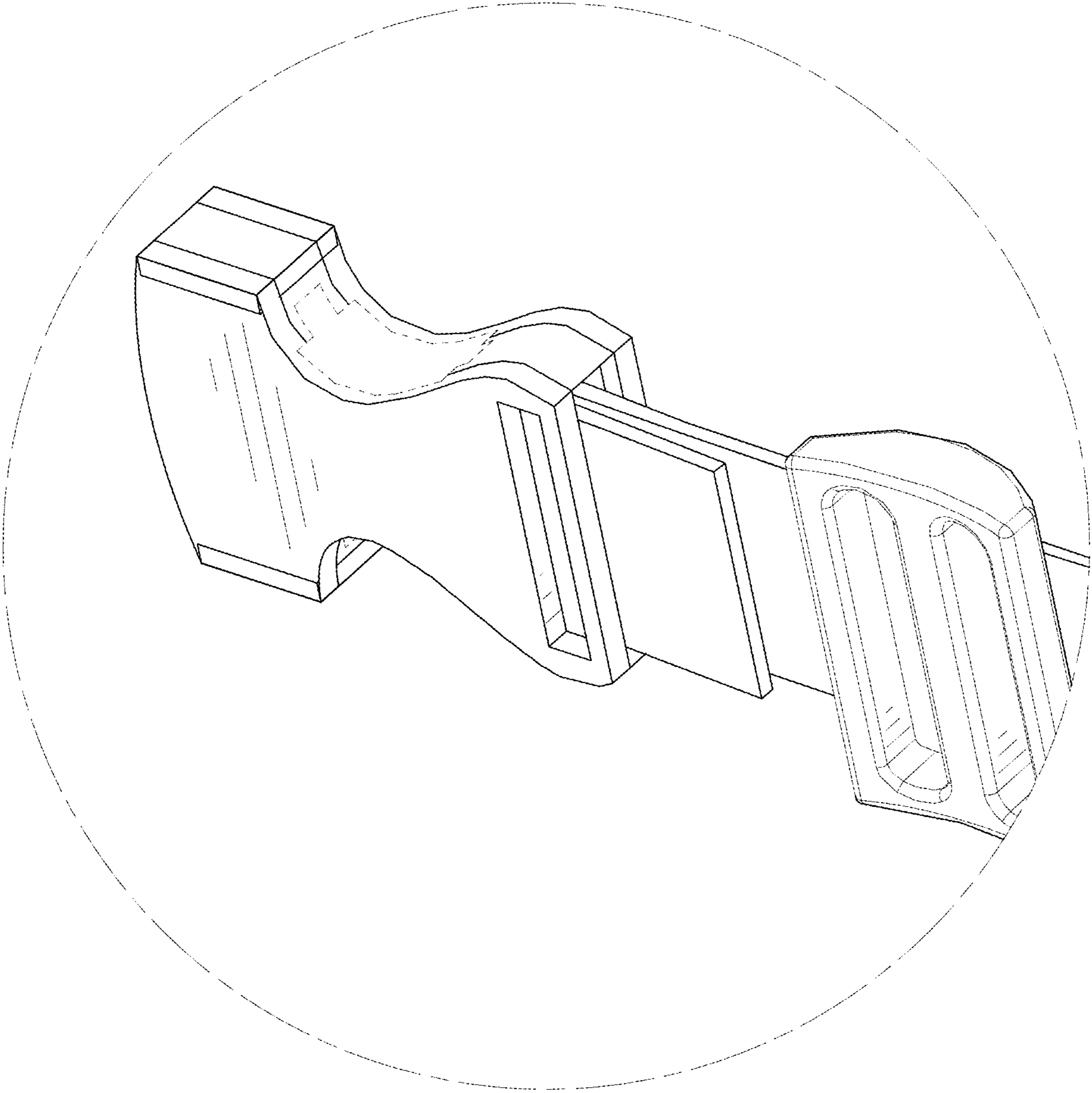


FIG. 9