



US00D986602S

(12) **United States Design Patent**  
**Cohen**

(10) **Patent No.:** **US D986,602 S**

(45) **Date of Patent:** **\*\* May 23, 2023**

(54) **PORTHOLE PICTURE FRAME**

FOREIGN PATENT DOCUMENTS

(71) Applicant: **Daniel Cohen**, Bal Harbour, FL (US)

GB 6206059 \* 9/2022

(72) Inventor: **Daniel Cohen**, Bal Harbour, FL (US)

\* cited by examiner

(\*\*) Term: **15 Years**

*Primary Examiner* — Deanna L Pratt

(21) Appl. No.: **29/782,606**

(74) *Attorney, Agent, or Firm* — The Concept Law Group, PA; Scott D. Smiley; Scott M. Garrett

(22) Filed: **May 7, 2021**

(51) **LOC (14) Cl.** ..... **06-07**

(52) **U.S. Cl.**

USPC ..... **D6/303**

(58) **Field of Classification Search**

USPC ..... D6/300–314; D11/133, 157; D25/48.7; D12/183

CPC ..... A47G 1/0616

See application file for complete search history.

(57) **CLAIM**

The ornamental design for a porthole picture frame, as shown and described.

**DESCRIPTION**

FIG. 1 is a perspective view of a porthole picture frame in an open configuration in accordance with the present invention;

FIG. 2 is a front view thereof, with the porthole picture frame in a closed configuration in accordance with the present invention;

FIG. 3 is a right side view thereof, with the porthole picture frame in the closed configuration in accordance with the present invention;

FIG. 4 is a back view thereof in accordance with the present invention;

FIG. 5 is a left side view thereof, with the porthole picture frame in the closed configuration in accordance with the present invention; and,

FIG. 6 is a back view thereof, with the porthole picture frame in the closed configuration attached in accordance with the present invention.

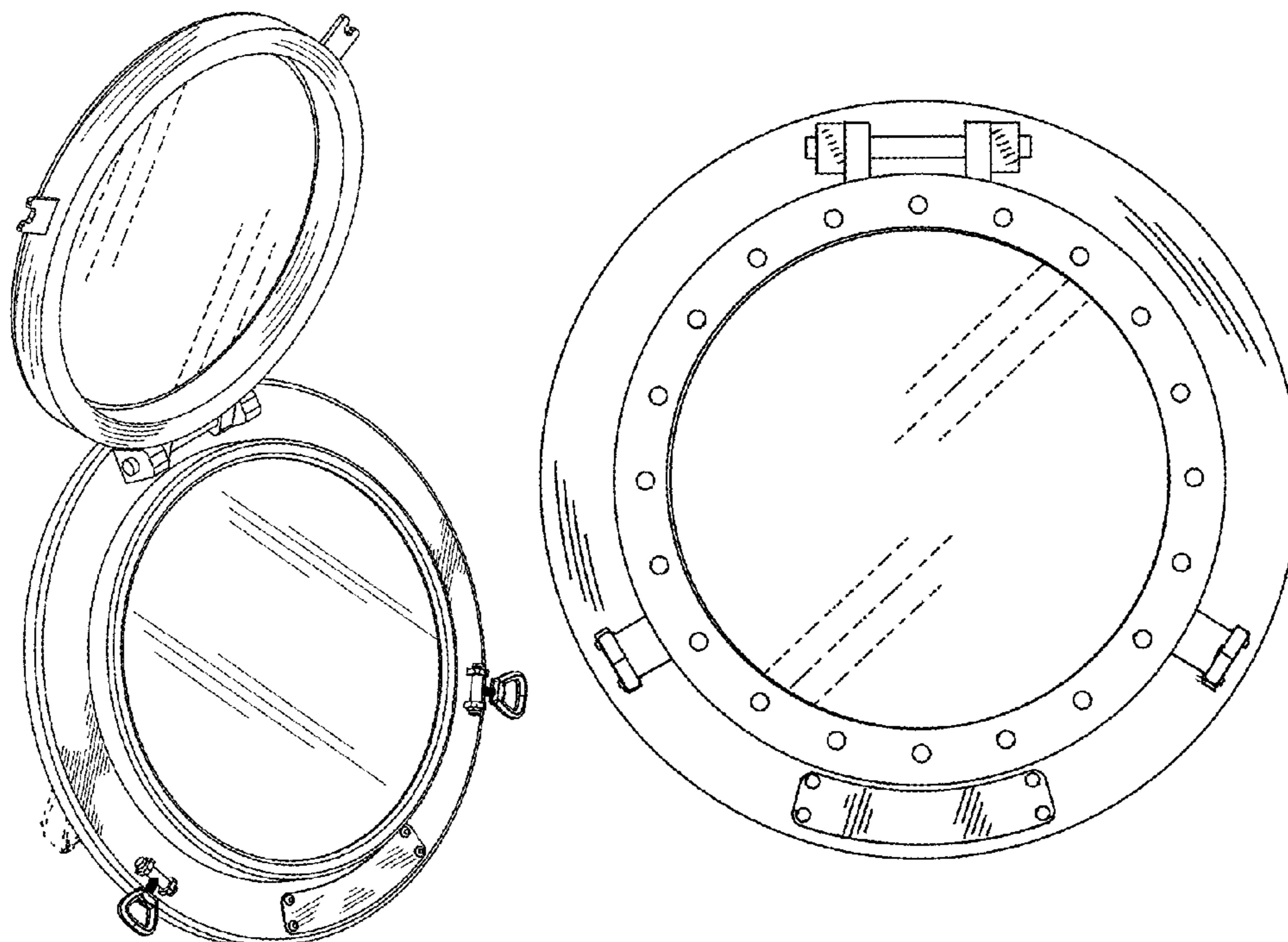
The broken lines showing of a picture frame stand depicts an environment only and forms no part of the claimed invention.

(56) **References Cited**

U.S. PATENT DOCUMENTS

1,453,919	A	*	5/1923	Clarke	.....	B63B 19/00
						114/178
D142,988	S	*	11/1945	Coveleski	.....	D6/303
D143,916	S	*	2/1946	Goff	.....	D6/304
D164,569	S	*	9/1951	Grosso	.....	D6/303
D267,219	S	*	12/1982	McNamara	.....	D6/309
D348,293	S	*	6/1994	Hodge	.....	D21/630
D420,809	S	*	2/2000	Greene, II	.....	D6/303
D465,489	S	*	11/2002	Farber	.....	D14/374
D558,988	S	*	1/2008	Gibson	.....	D6/309
D625,930	S	*	10/2010	Merica	.....	D6/312
D679,101	S	*	4/2013	Pitot	.....	D6/309
D790,867	S		7/2017	Garcia et al.		

**1 Claim, 6 Drawing Sheets**



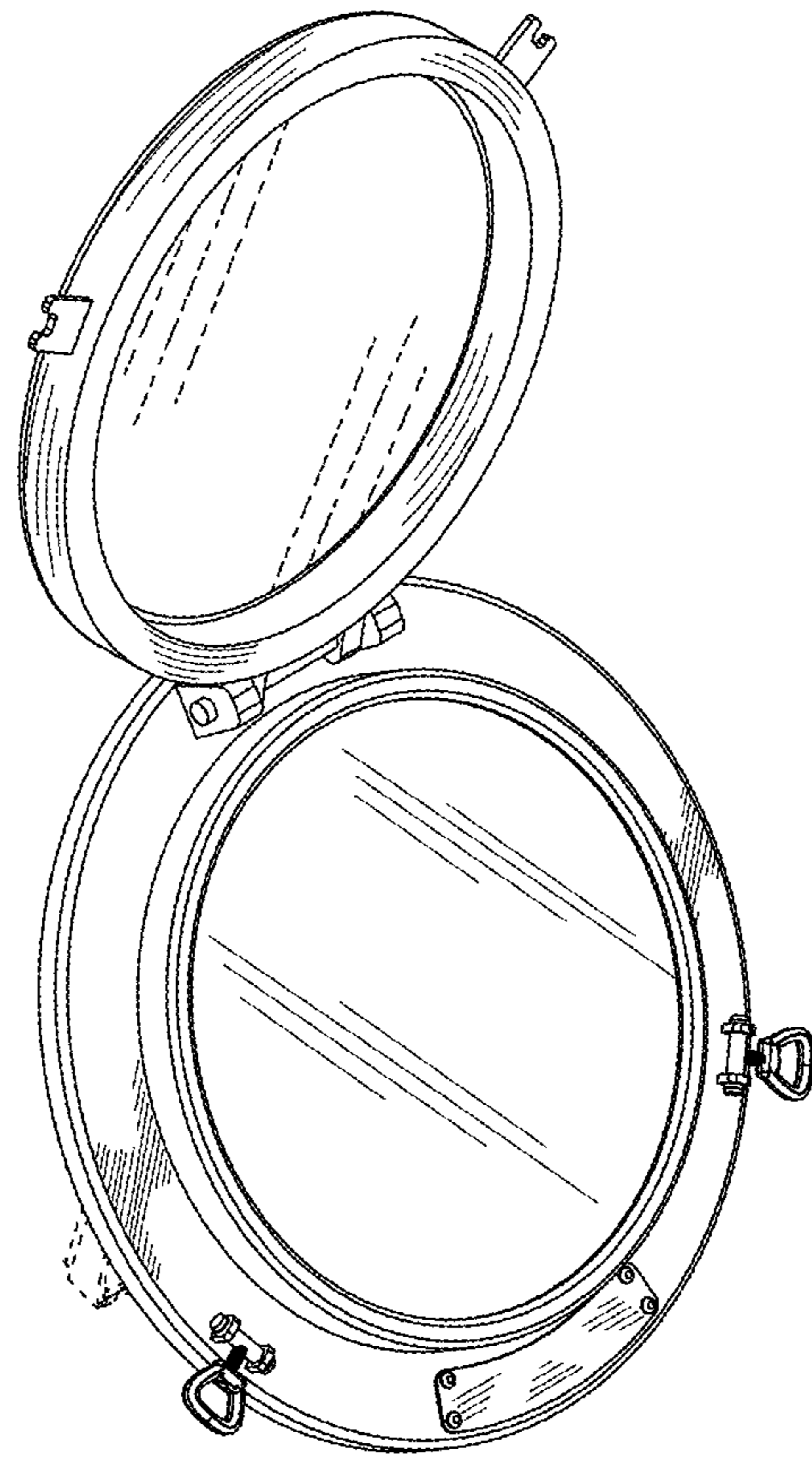


FIG. 1

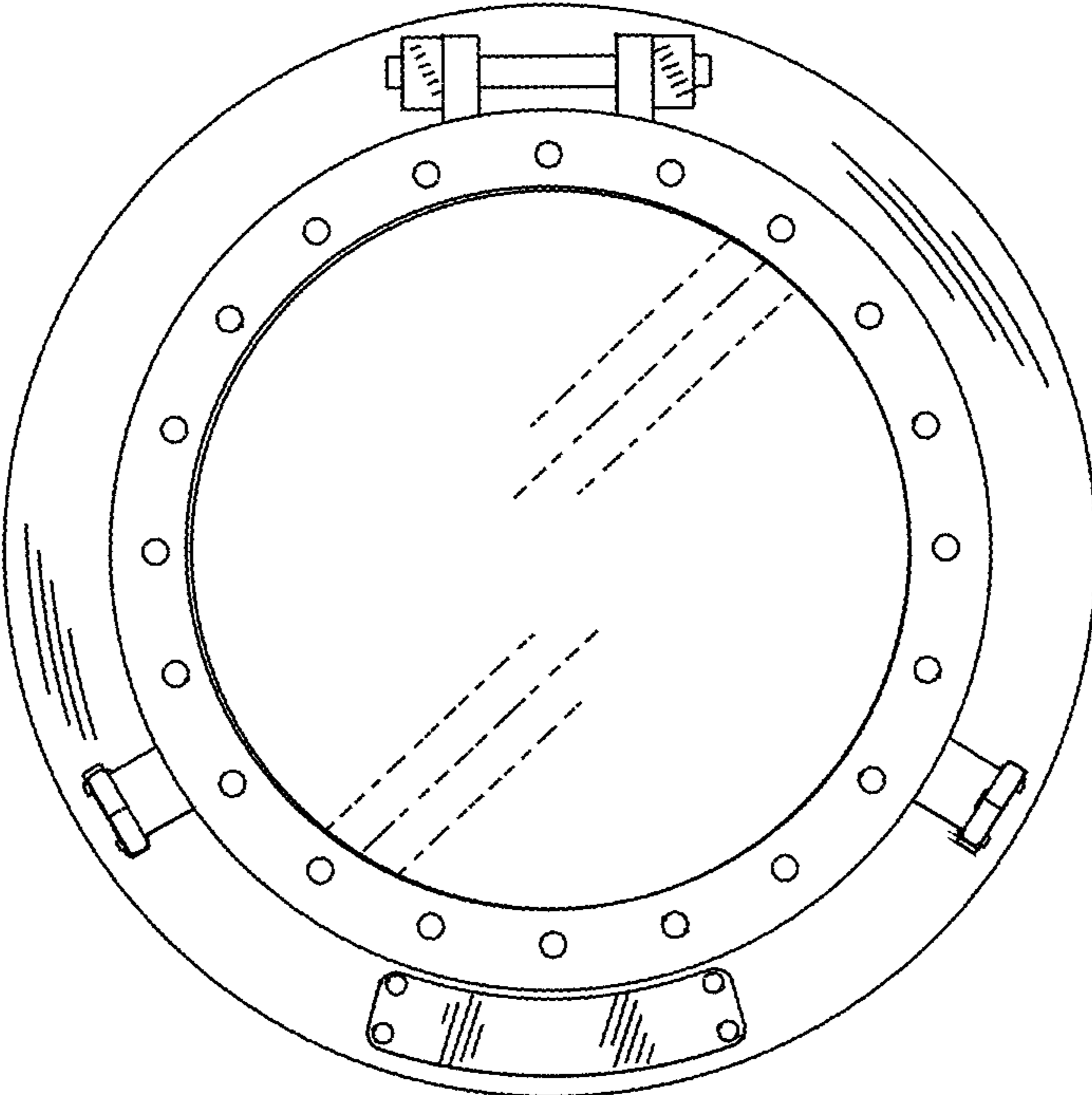


FIG. 2

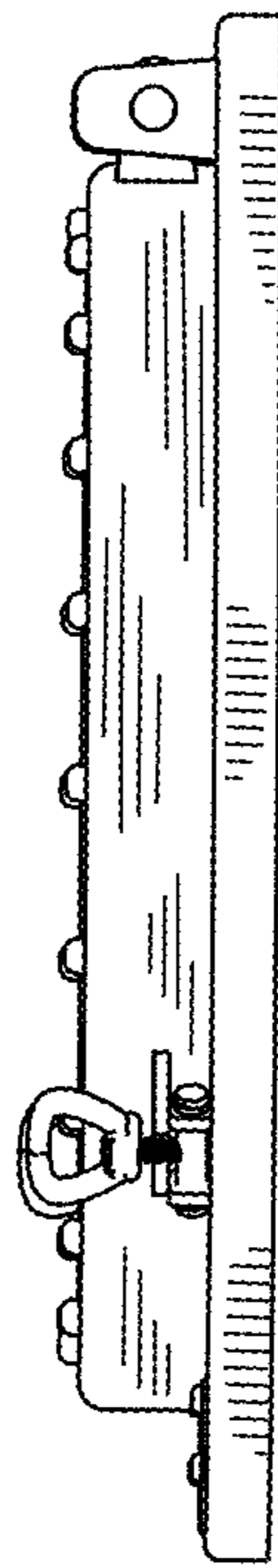


FIG. 3

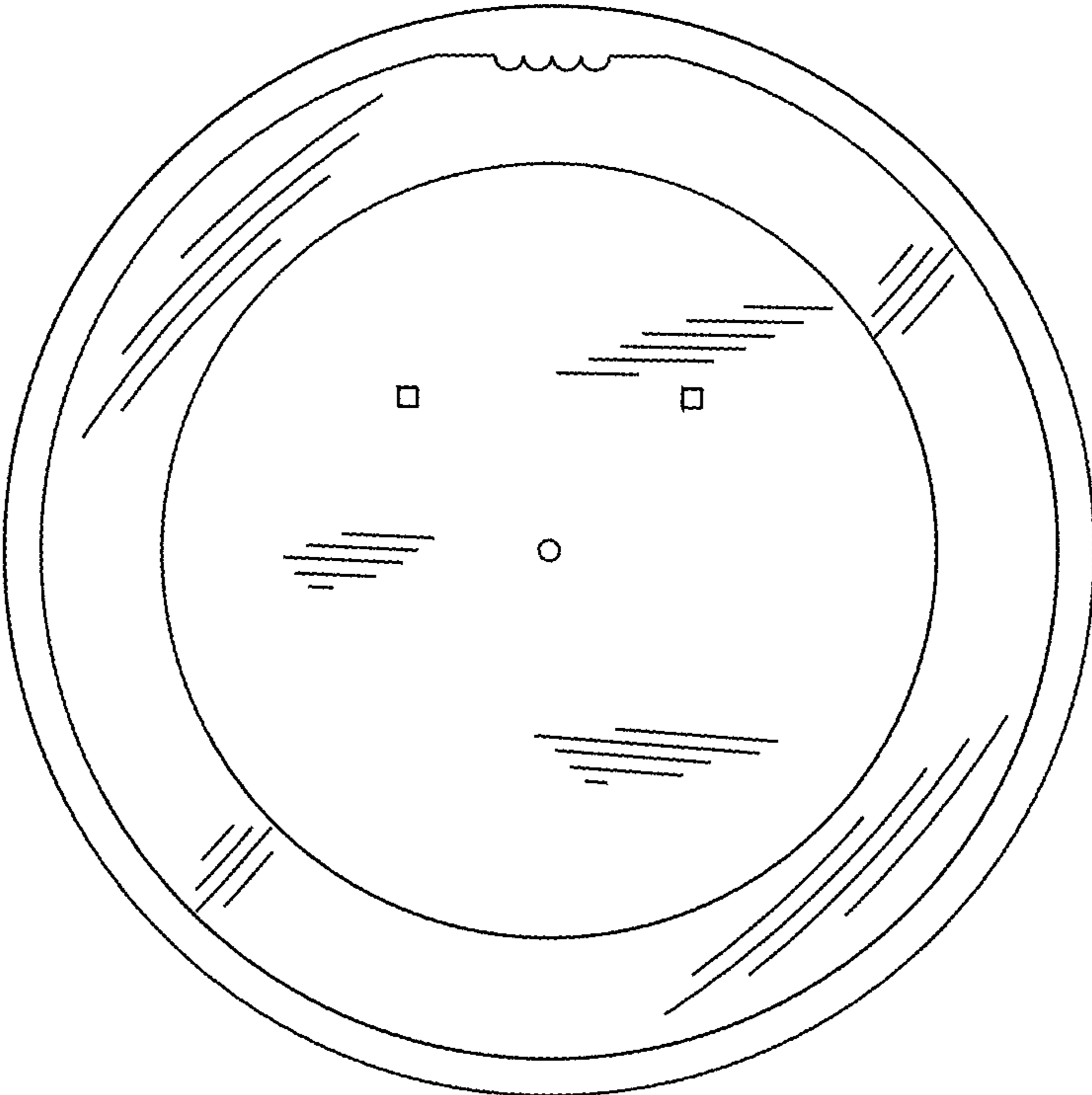


FIG. 4

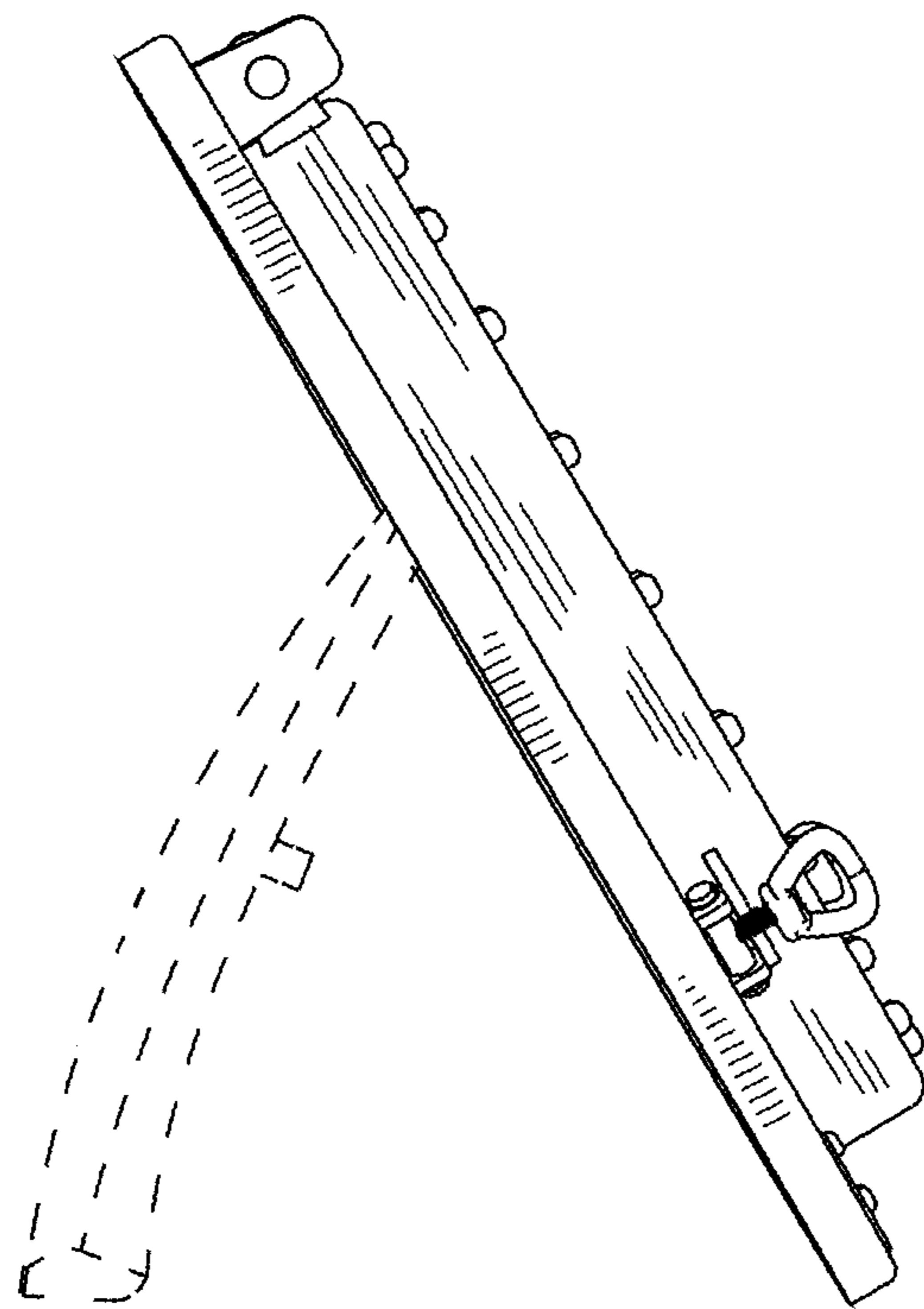


FIG. 5

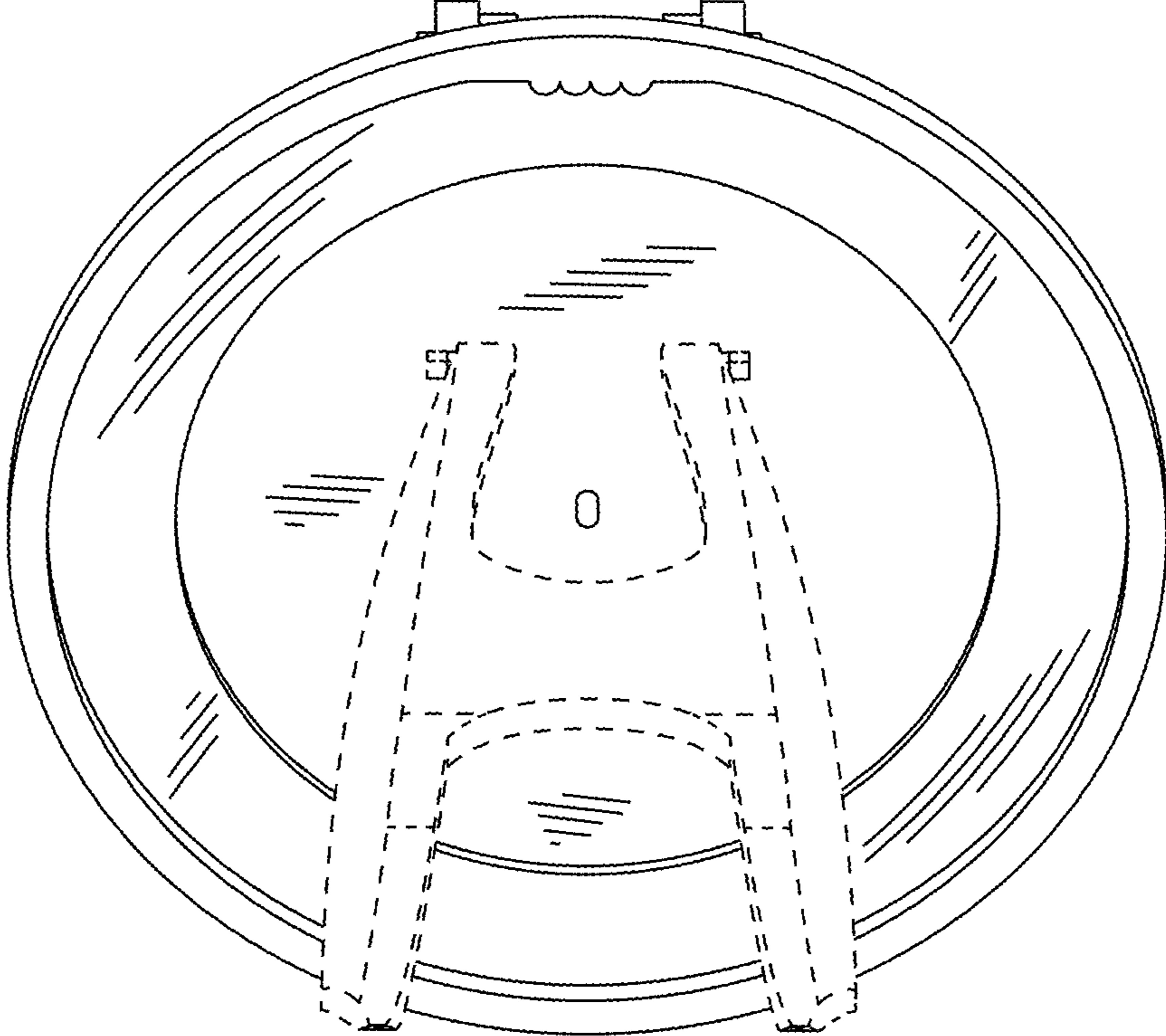


FIG. 6