



US00D986601S

(12) **United States Design Patent**
Hinds

(10) **Patent No.:** **US D986,601 S**

(45) **Date of Patent:** **** May 23, 2023**

(54) **HAIR BRUSH**

(71) Applicant: **CONAIR CORPORATION**, Stamford,
CT (US)

(72) Inventor: **Kristen L. Hinds**, Cos Cob, CT (US)

(73) Assignee: **Conair LLC**, Stamford, CT (US)

(**) Term: **15 Years**

(21) Appl. No.: **29/747,802**

(22) Filed: **Aug. 25, 2020**

(51) **LOC (14) Cl.** **04-02**

(52) **U.S. Cl.**
USPC **D4/138**

(58) **Field of Classification Search**
USPC D4/102, 114, 115, 116, 117, 118, 119,
D4/120, 121, 122, 127, 128, 129, 130,
D4/132, 133, 134, 135, 136, 137, 138,
D4/199; D8/303, 382; D32/35
CPC A46B 2200/104; A46B 9/023; A46B 9/02;
A46B 15/0087
See application file for complete search history.

(56) **References Cited**

U.S. PATENT DOCUMENTS

D431,723 S * 10/2000 Kim D4/138
D449,909 S * 10/2001 Randolph D4/138
D450,189 S * 11/2001 Mink D4/135
D450,930 S * 11/2001 Mink D4/135

D452,994 S * 1/2002 Mink D4/138
D474,896 S * 5/2003 Riddell D4/138
D675,449 S * 2/2013 Martin D4/138
D685,191 S * 7/2013 Martin D4/138
D724,849 S * 3/2015 Schuler D4/133
D793,090 S * 8/2017 Allen D4/127
D832,594 S * 11/2018 Friend D4/138
D880,868 S * 4/2020 Zhao D4/100

* cited by examiner

Primary Examiner — Karen E Eldridge Powers

(74) *Attorney, Agent, or Firm* — Ruggiero McAllister &
McMahon LLC

(57) **CLAIM**

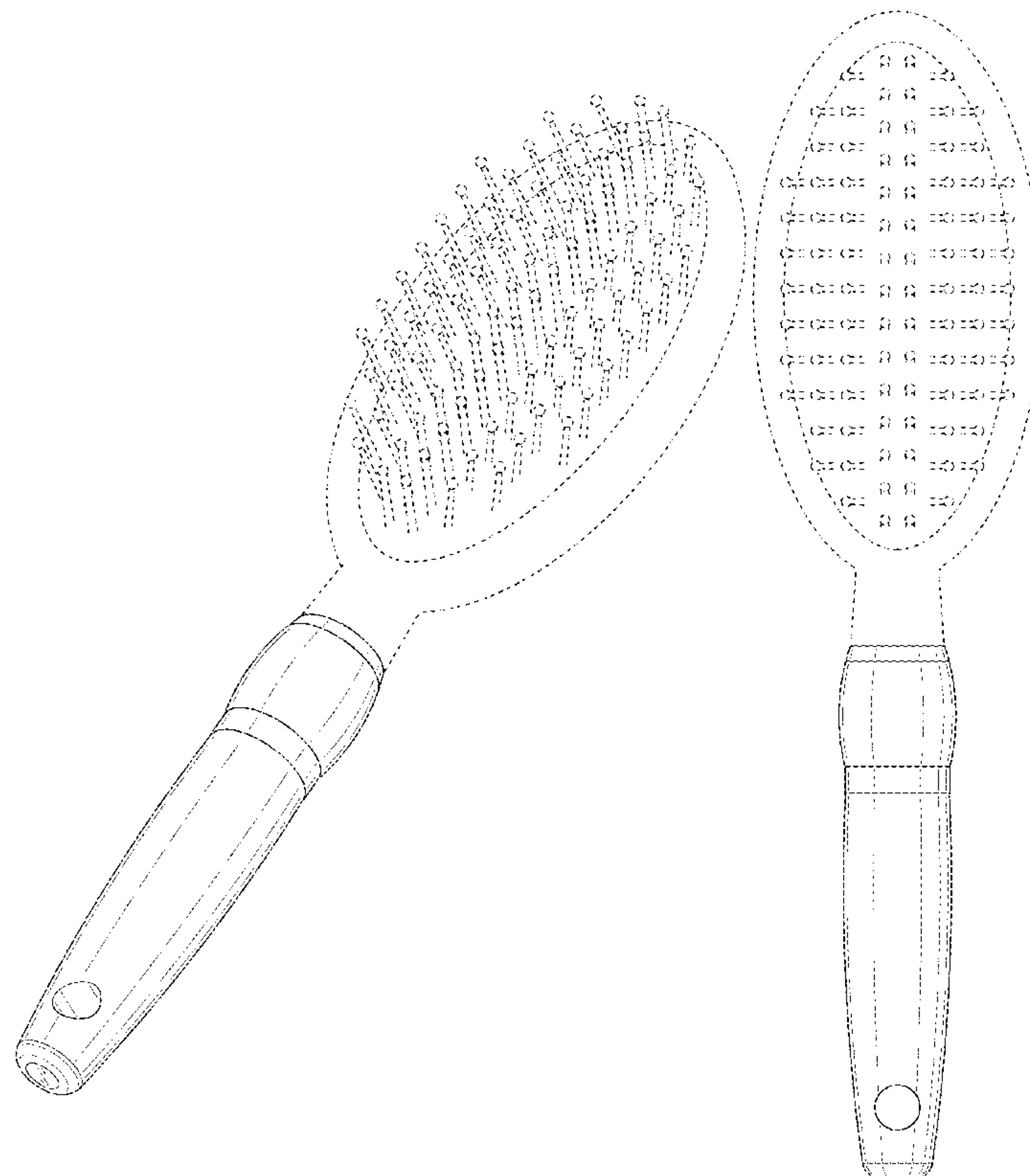
The ornamental design for a hair brush, as shown and
described.

DESCRIPTION

FIG. 1 is a bottom, front and left-side perspective view of a
hair brush according to the present application;
FIG. 2 is a top, front and right-side perspective view thereof;
FIG. 3 is a front elevational view thereof;
FIG. 4 is a rear elevational view thereof;
FIG. 5 is a left-side elevational view thereof;
FIG. 6 is a right side elevational view thereof;
FIG. 7 is a top plan view thereof; and,
FIG. 8 is a bottom plan view thereof.

The broken lines in the drawings illustrate environmental
structure and form no part of the claimed design.

1 Claim, 5 Drawing Sheets



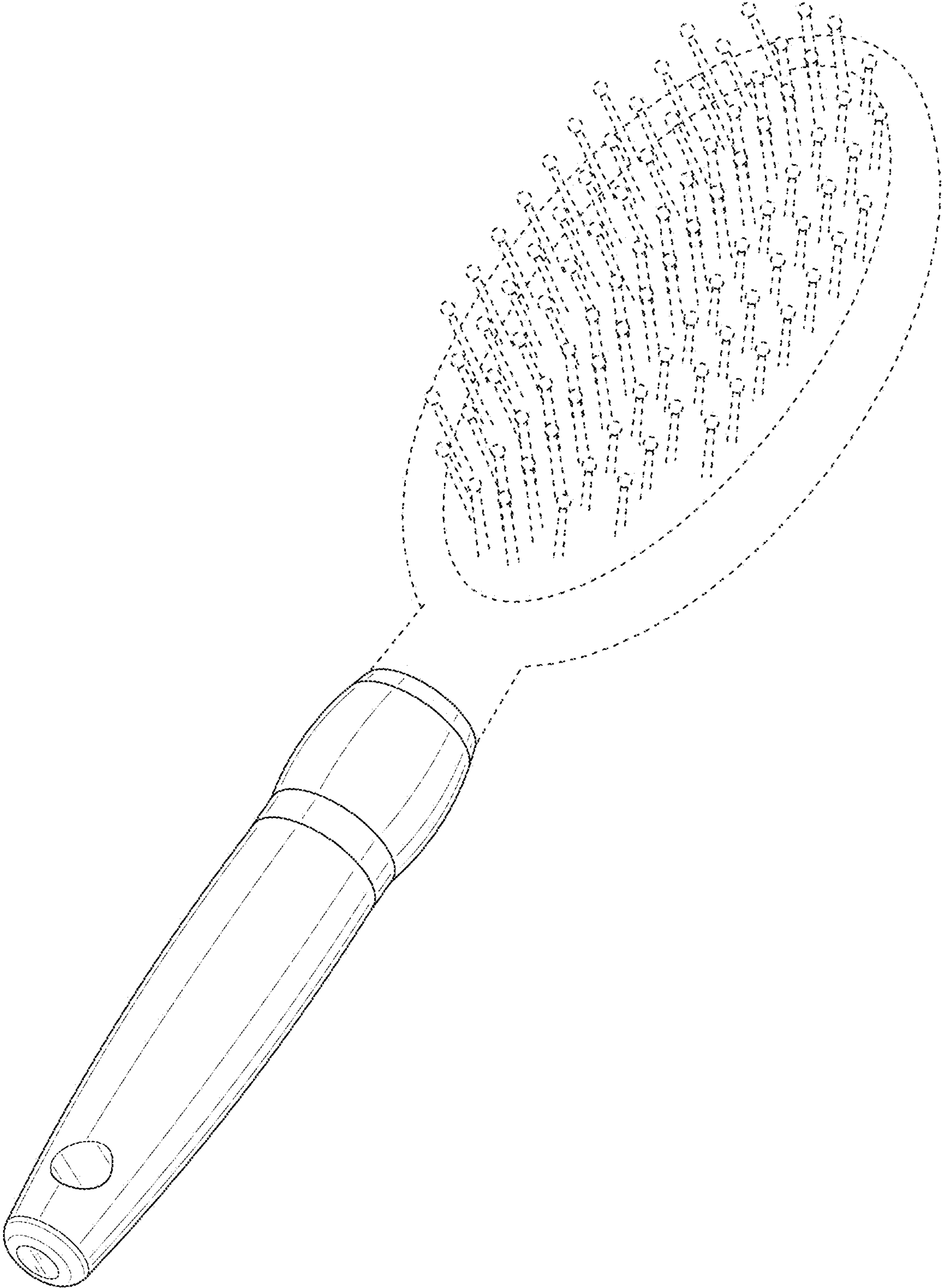


FIG. 1

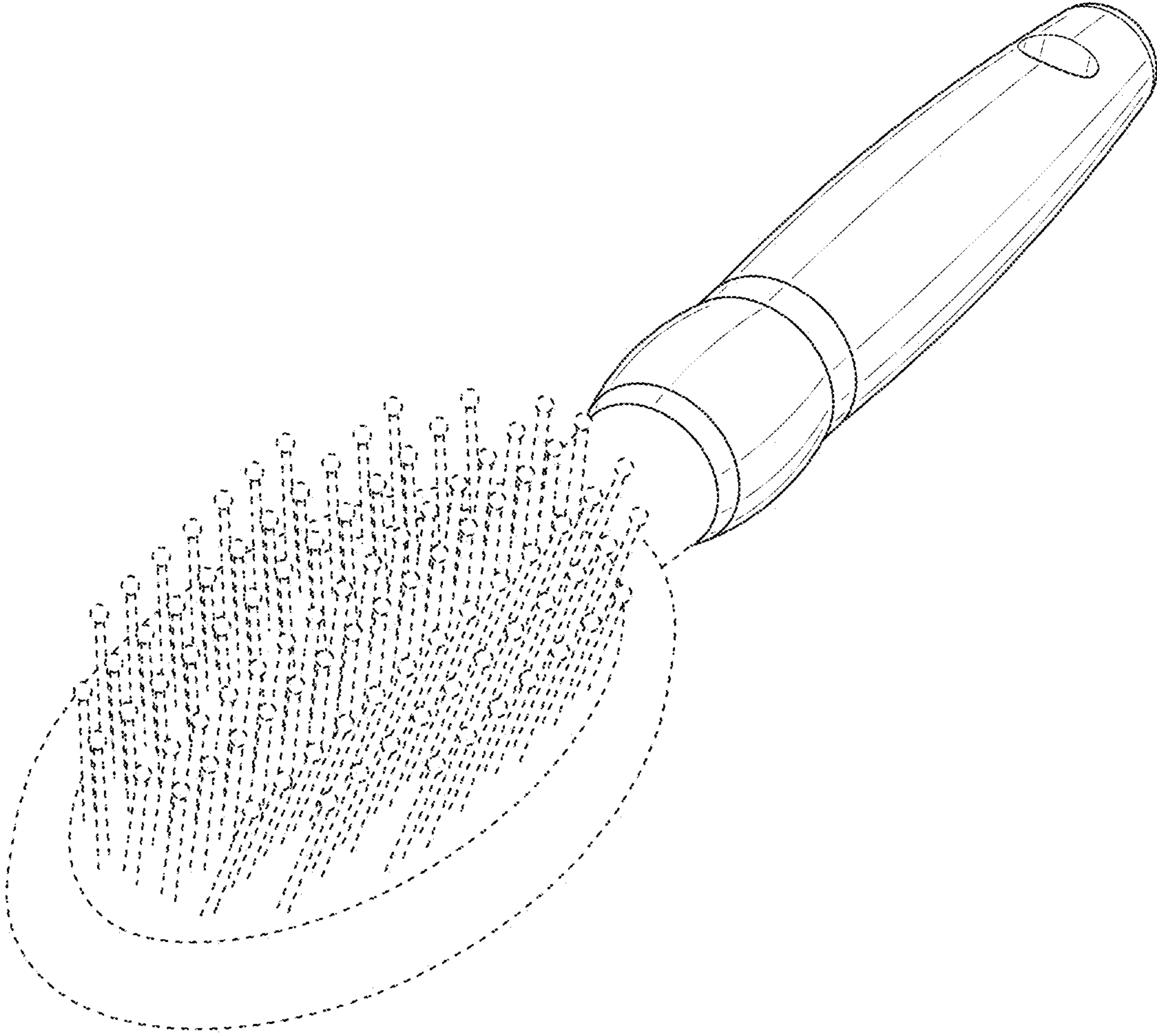


FIG. 2

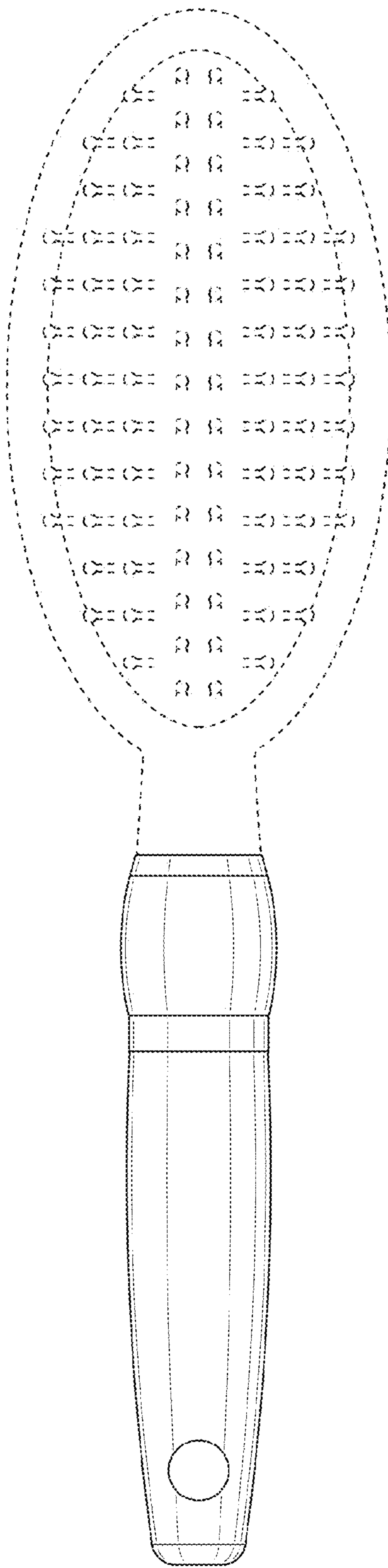


FIG. 3

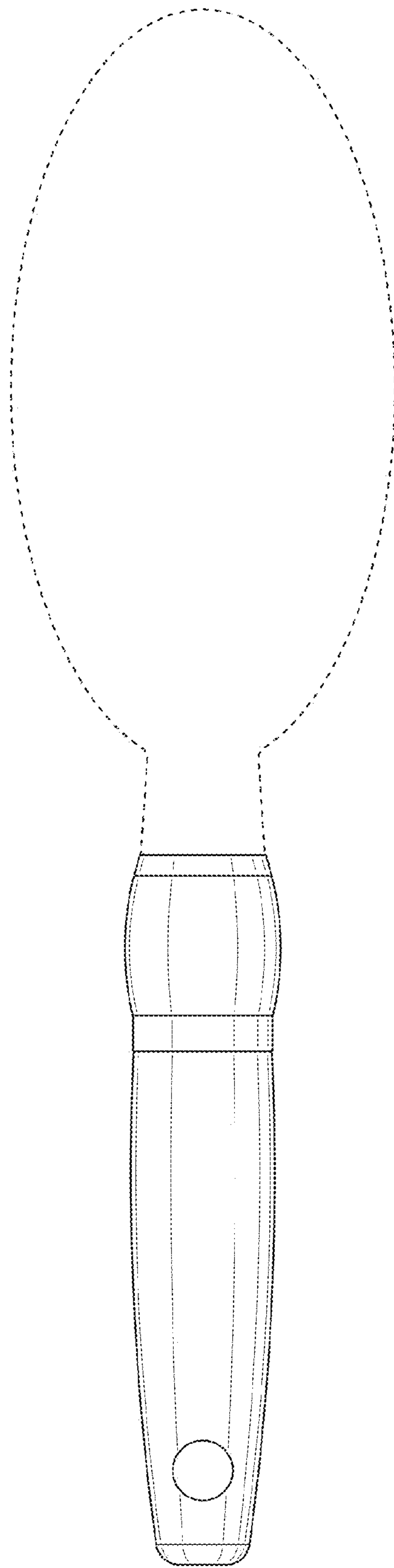


FIG. 4

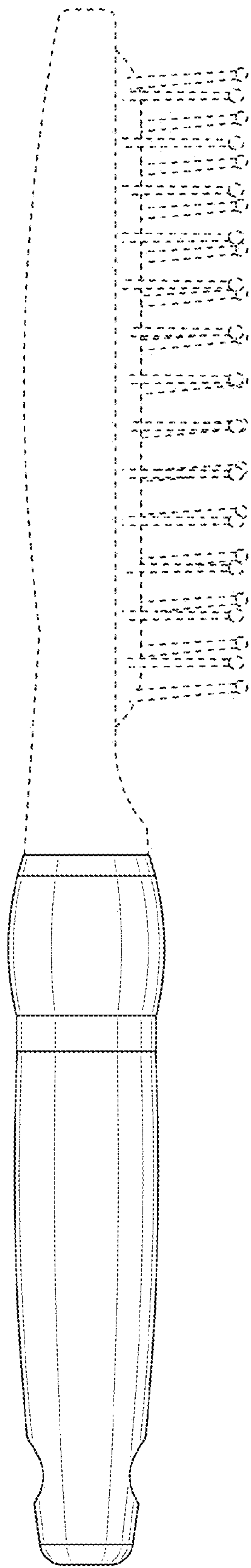


FIG. 5

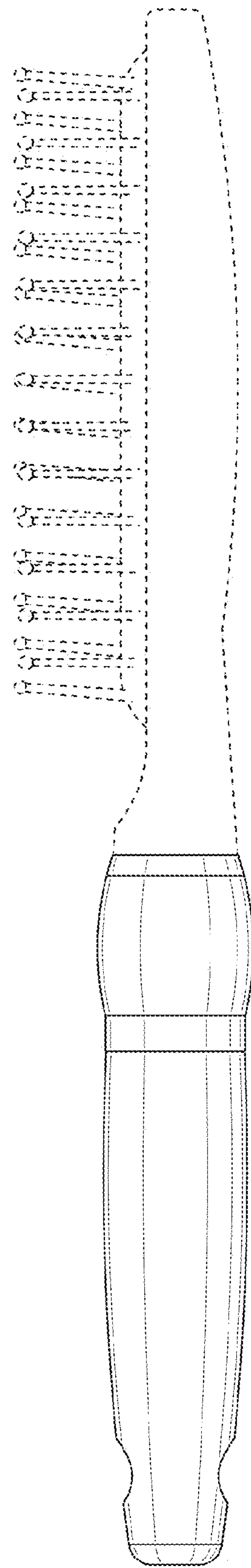


FIG. 6

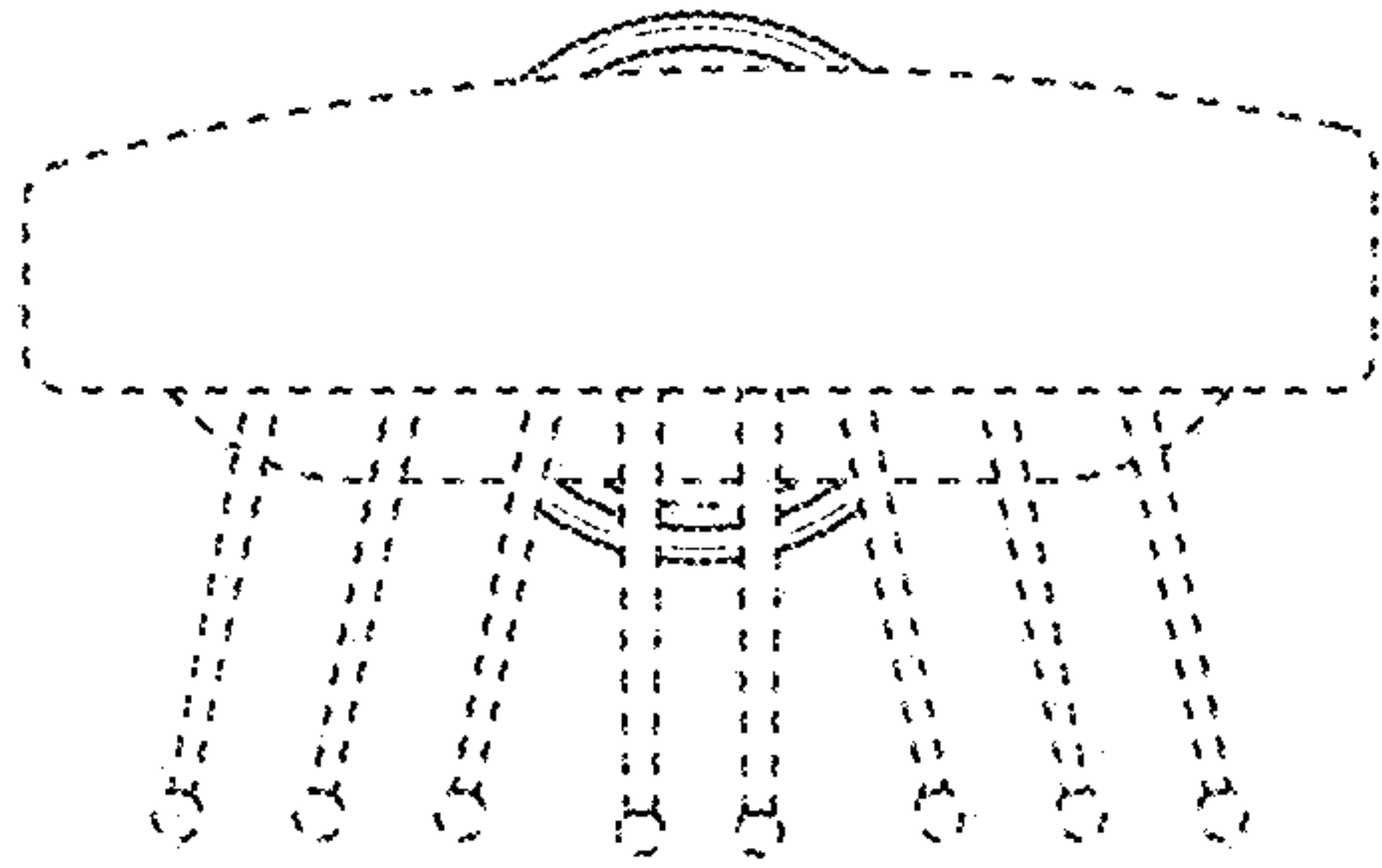


FIG. 7

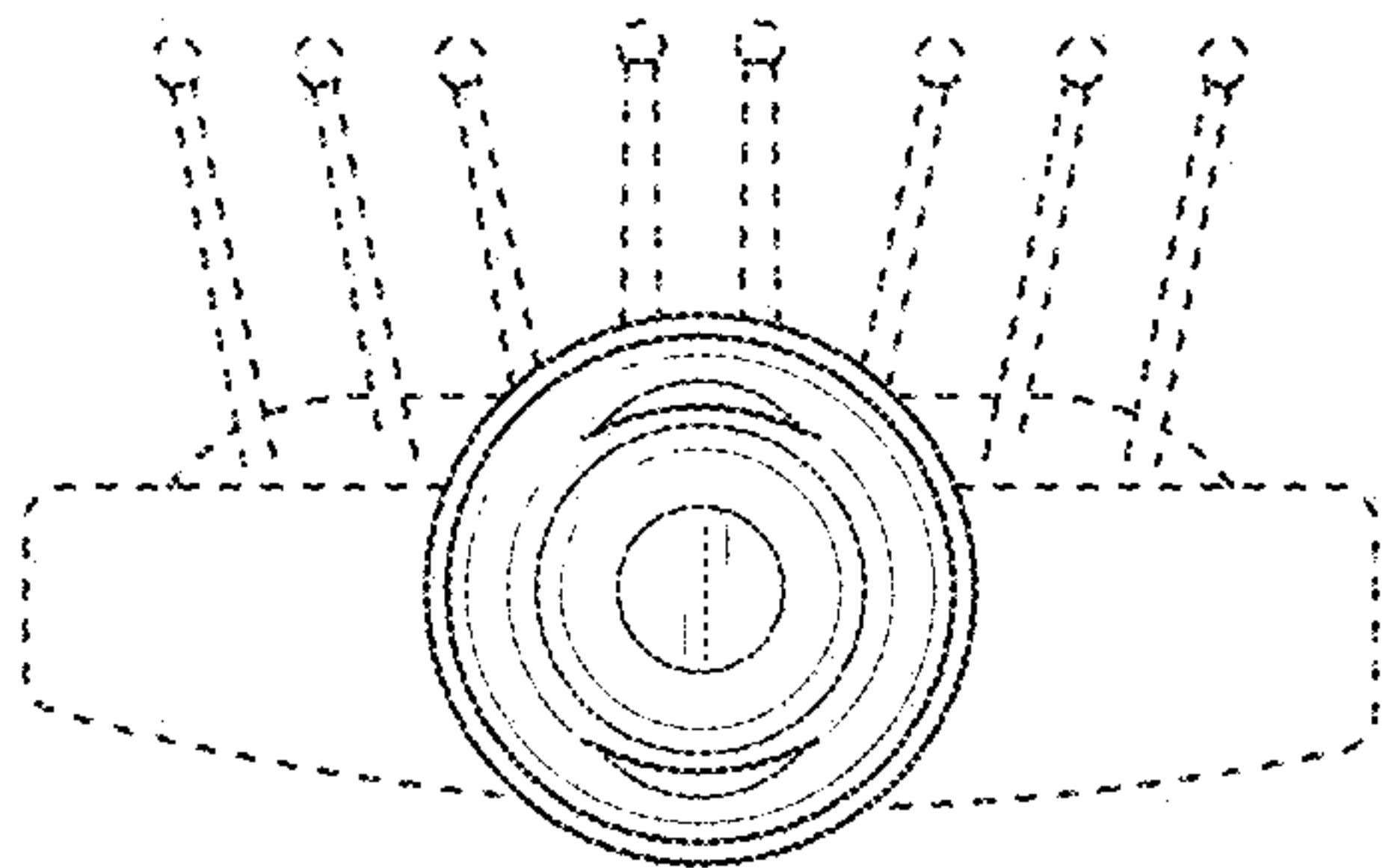


FIG. 8