



US00D986600S

(12) **United States Design Patent** (10) **Patent No.:** **US D986,600 S**
Ness (45) **Date of Patent:** **** May 23, 2023**

(54) **MULTI-HEAD BRUSH**

FOREIGN PATENT DOCUMENTS

(71) Applicant: **Scott Edward Ness**, Fort Lauderdale, FL (US)

WO 2006029060 3/2006

(72) Inventor: **Scott Edward Ness**, Fort Lauderdale, FL (US)

OTHER PUBLICATIONS

(**) Term: **15 Years**

Amazon Handle, announced Jan. 2021 [online], [site visited May 7, 2022]. Avail from int, URL: https://www.amazon.com/Larbois-Fingernail-Cleaning-Brushes-Pedicure/dp/B0897HV1P2/ref=asc_df_B08C9GT619/?th=1 (Year: 2021).*

(21) Appl. No.: **29/744,779**

(Continued)

(22) Filed: **Jul. 31, 2020**

Primary Examiner — Cynthia Ramirez

(51) **LOC (14) Cl.** **04-99**

Assistant Examiner — Tamara L Hahn

(52) **U.S. Cl.**
USPC **D4/129**

(74) *Attorney, Agent, or Firm* — Gerben Perrott PLLC; Benjamin M. Hanrahan

(58) **Field of Classification Search**
USPC D4/102, 119, 121, 127, 128, 129, 130, D4/131, 132, 133, 134, 136, 137, 199
CPC A46B 7/026; A46B 2200/102; A46B 2200/10; A46B 2200/104; A46B 2200/1006; A45B 5/021; A45B 5/0095
See application file for complete search history.

(57) **CLAIM**

The ornamental design for a multi-head brush, as shown and described.

DESCRIPTION

(56) **References Cited**

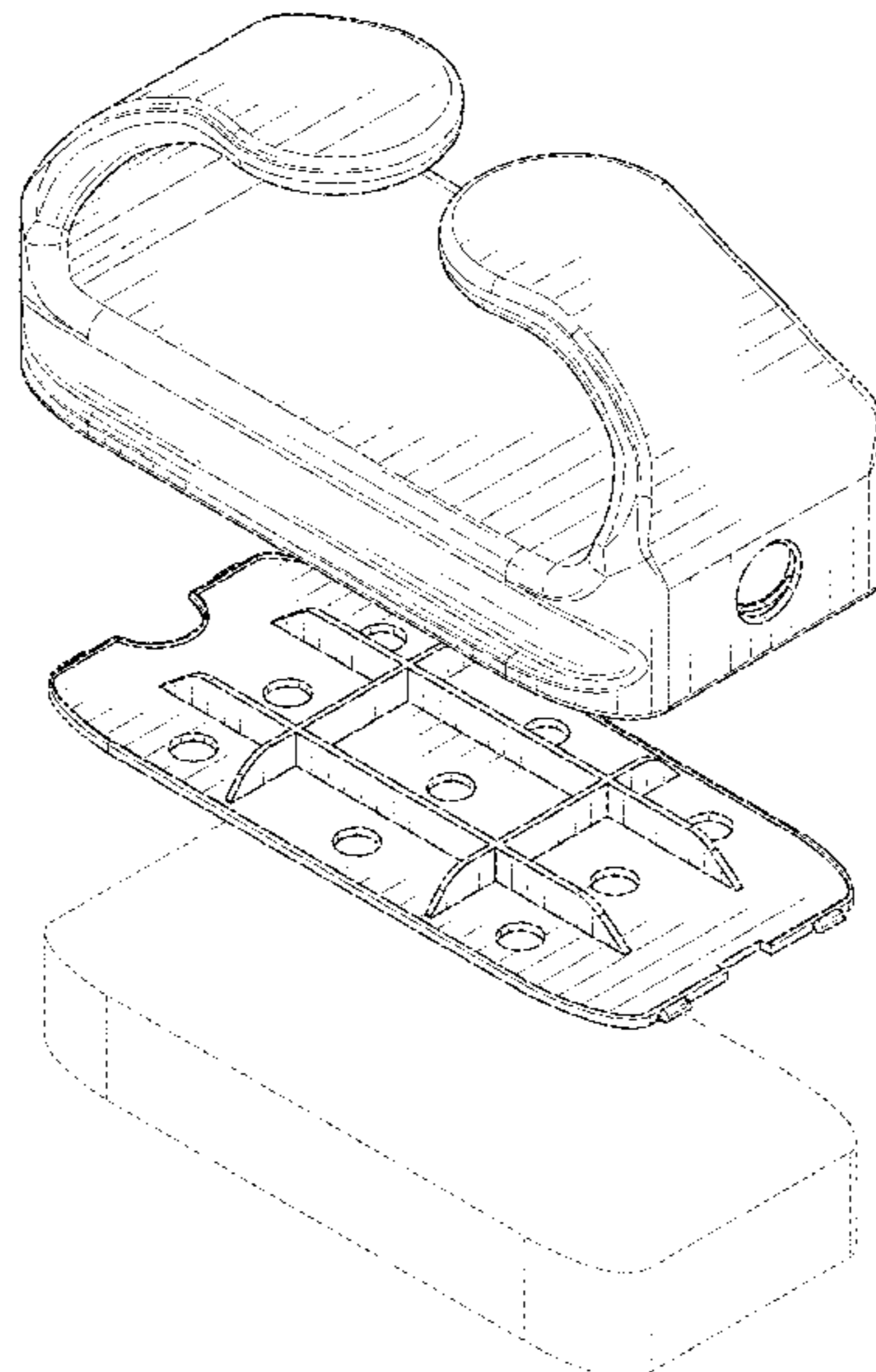
U.S. PATENT DOCUMENTS

5,090,832	A	2/1992	Rivera et al.	
5,493,749	A	2/1996	Zayas	
D425,309	S *	5/2000	Granito	D4/127
6,438,784	B1	8/2002	Yu	
6,499,175	B1	12/2002	Osiecki et al.	
6,574,822	B1	6/2003	Osiecki et al.	
6,595,712	B2	7/2003	Sickler	
6,953,299	B2	10/2005	Wang et al.	
6,981,953	B1	1/2006	Ko	
8,042,216	B2	10/2011	Jochim et al.	
8,225,451	B2	7/2012	Weinberger et al.	
8,337,110	B2	12/2012	Rees et al.	
8,360,668	B1	1/2013	Hinnant	
8,888,395	B1	11/2014	Hinnant	

(Continued)

FIG. 1 is an environmental exploded view of the multi-head brush, showing the new design;
FIG. 2 is a perspective view of the multi-head brush thereof;
FIG. 3 is a front elevational view of the multi-head brush thereof, the rear view being identical to the front view thereof;
FIG. 4 is a left side elevational view of the multi-head brush thereof;
FIG. 5 is a right side elevational view of the multi-head brush thereof;
FIG. 6 is a top plan view of the multi-head brush thereof;
and,
FIG. 7 is a bottom plan view of the multi-head brush thereof.
The broken lines shown in FIG. 1 depict environment and form no part of the claimed design. All other broken lines depict portions of the multi-head brush that form no part of the claimed design.

1 Claim, 4 Drawing Sheets



(56)

References Cited

U.S. PATENT DOCUMENTS

9,044,852 B2 6/2015 Shafer et al.
9,138,257 B2 9/2015 Revivo
9,521,898 B2 12/2016 Knight
10,064,535 B2 9/2018 Azelton et al.
D850,799 S * 6/2019 Johnson D30/158
D875,406 S * 2/2020 Dixon D4/129
D898,376 S * 10/2020 Johnson D4/134
2004/0117935 A1 6/2004 Cavalheiro
2005/0229347 A1 10/2005 Dent D'Almuano
2008/0098546 A1 5/2008 Warmka et al.
2011/0138564 A1 6/2011 Dunshee
2016/0324306 A1 11/2016 Martin et al.
2018/0368363 A1 * 12/2018 Johnson A01K 13/002

OTHER PUBLICATIONS

Harmon Handle, announced 2022 [online], [site visited May 7, 2022]. Avail from int, URL: https://www.bedbathandbeyond.com/store/product/harmon-face-values-nail-brush/1016551643?skuId=16551643&mcid=OS_googlepla (Year: 2022).*

* cited by examiner

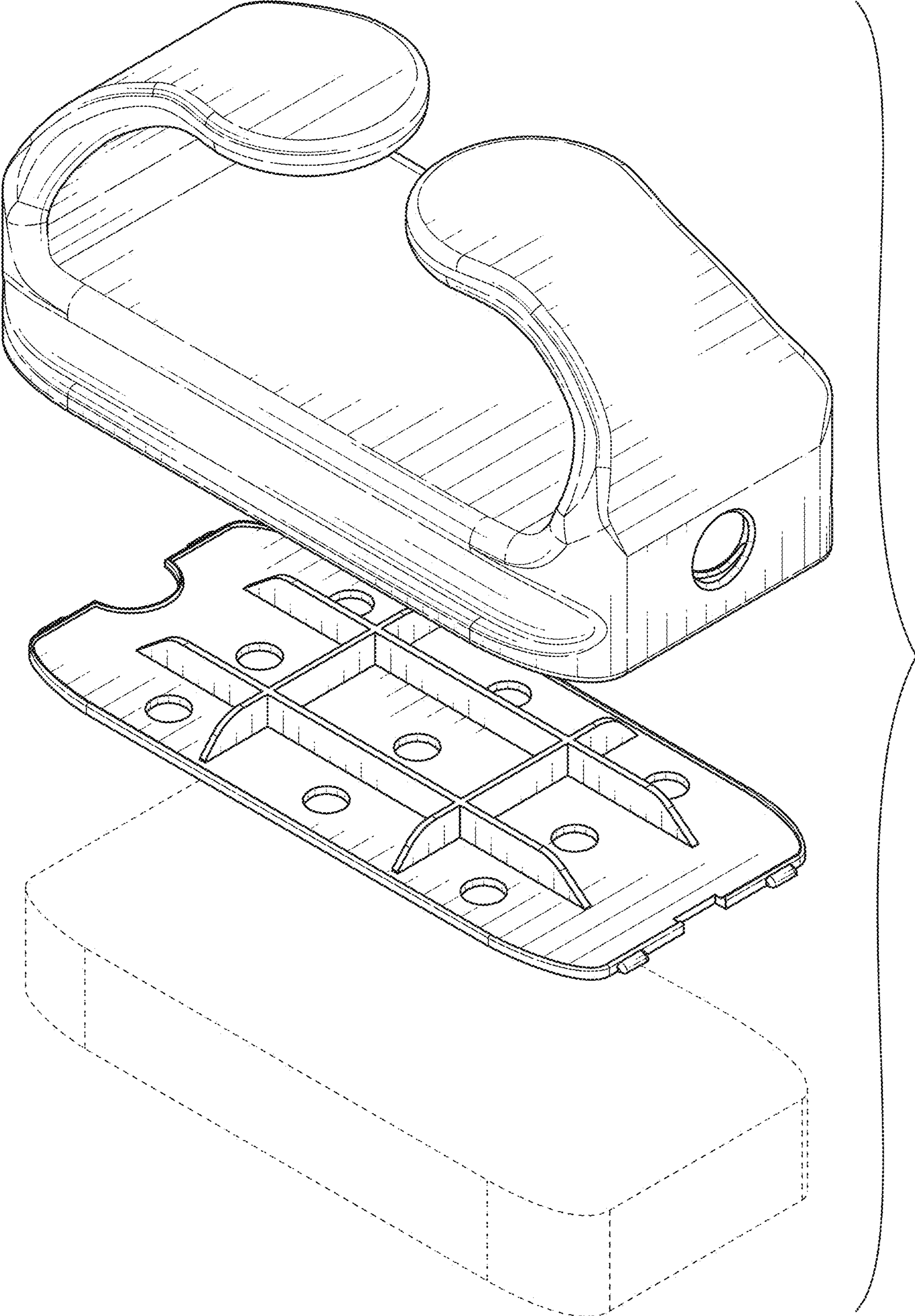


FIG. 1

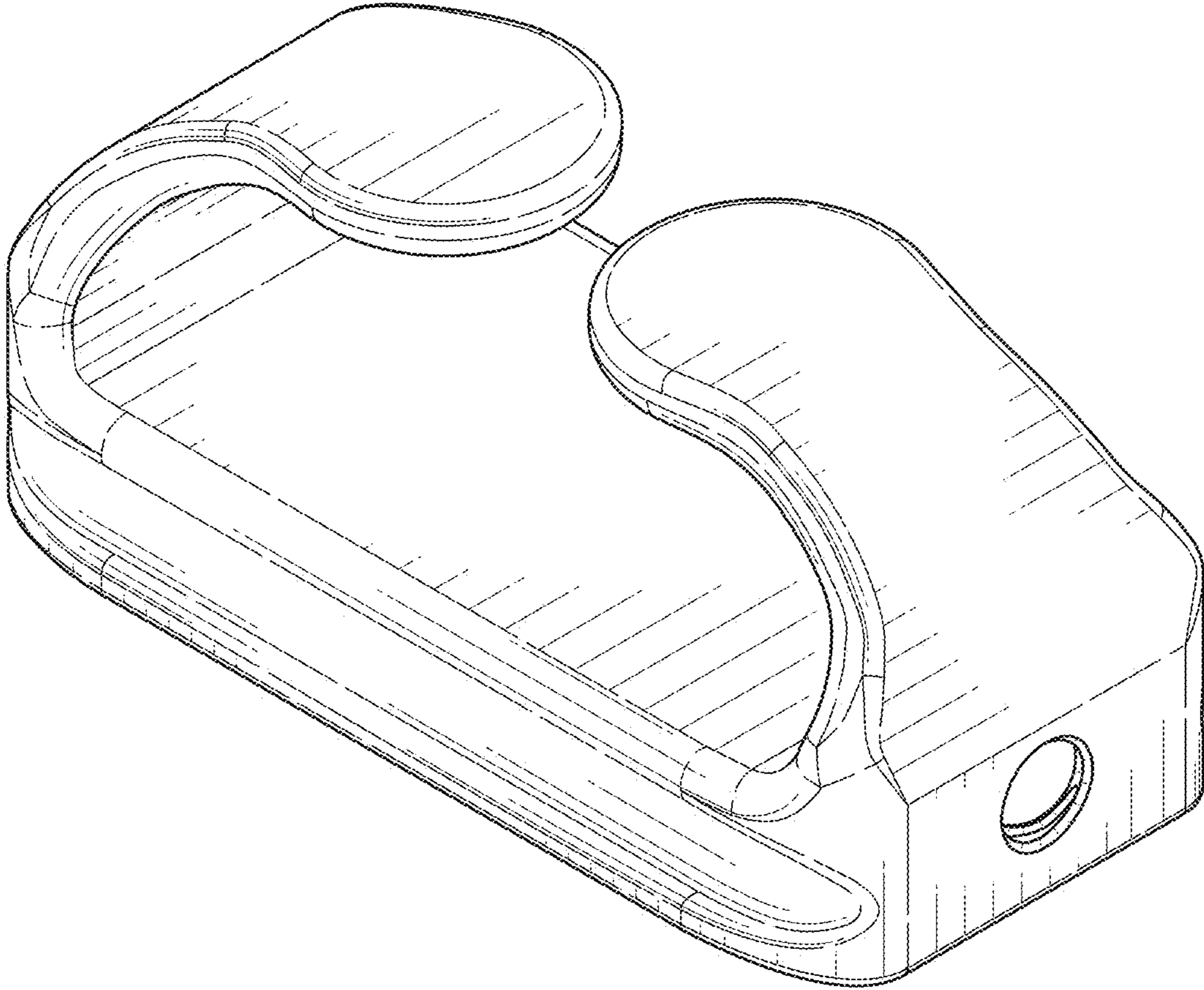


FIG. 2

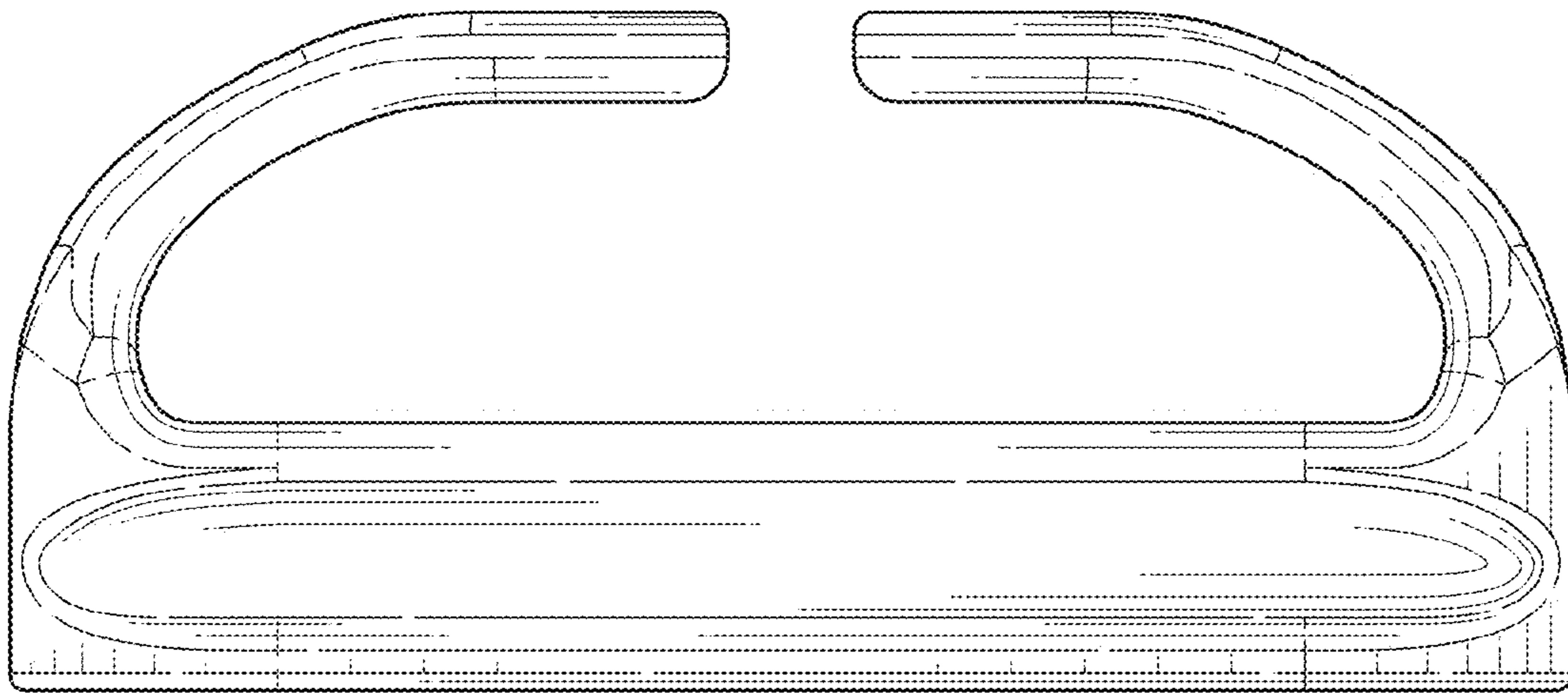


FIG. 3

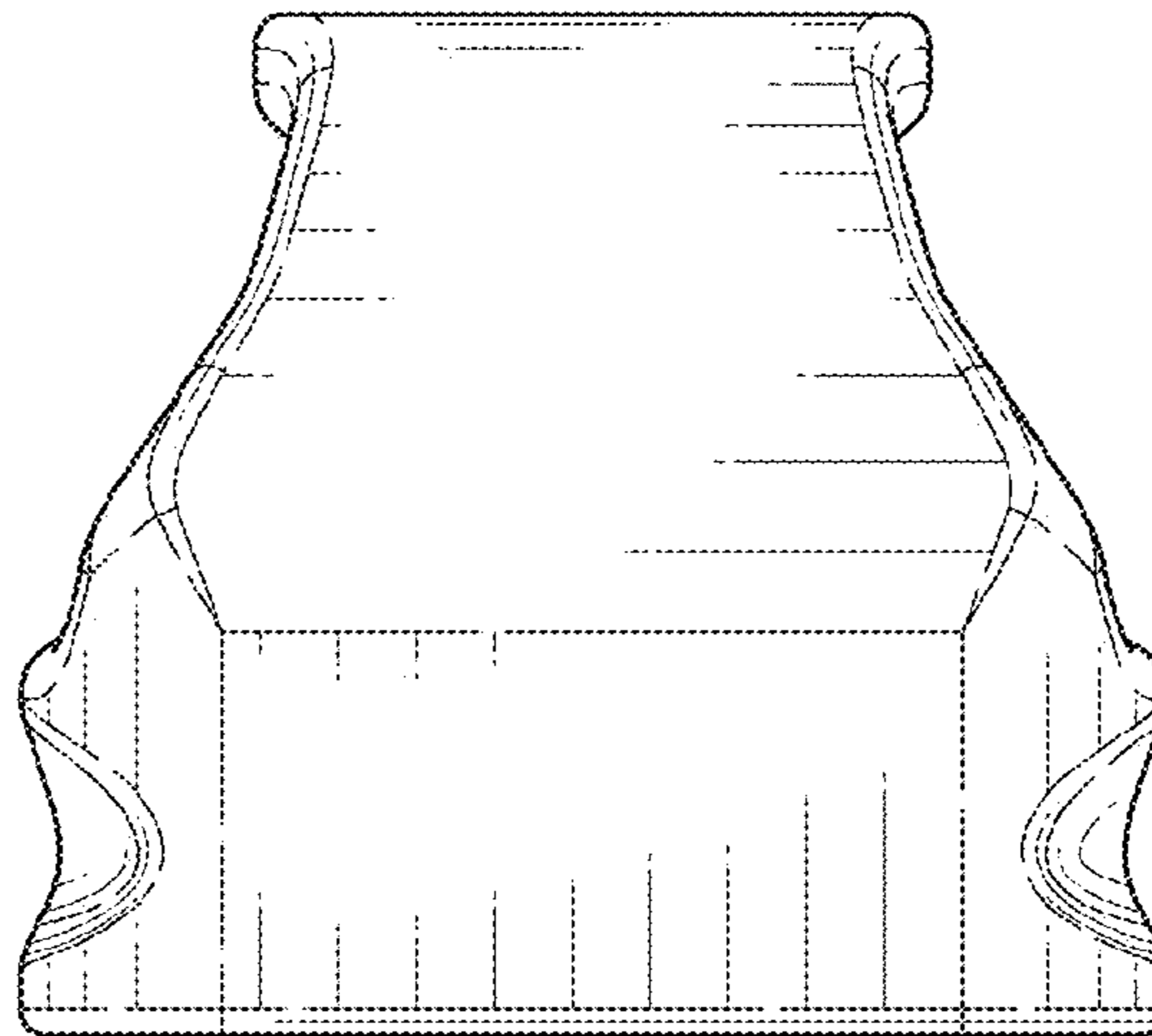


FIG. 4

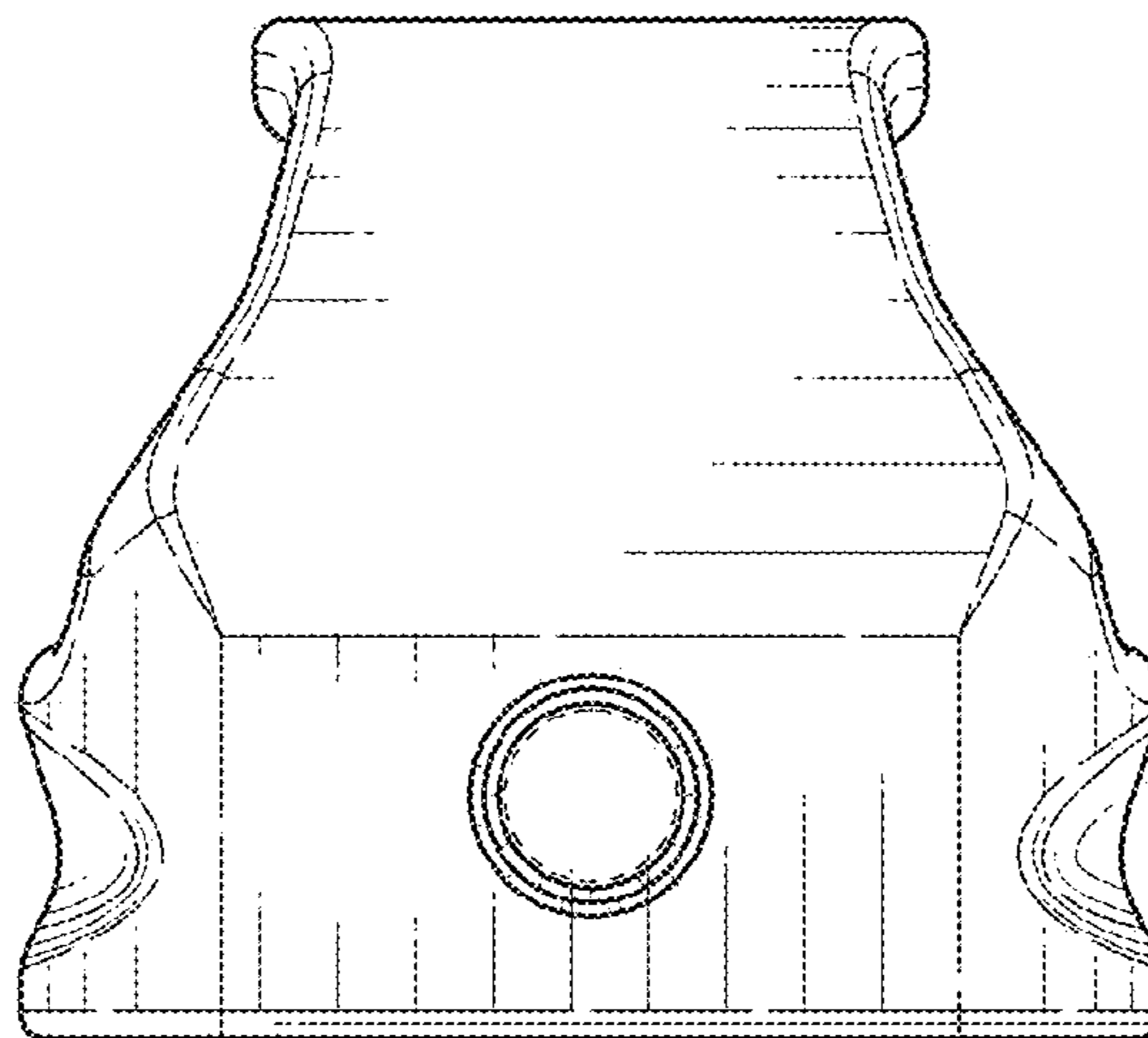


FIG. 5

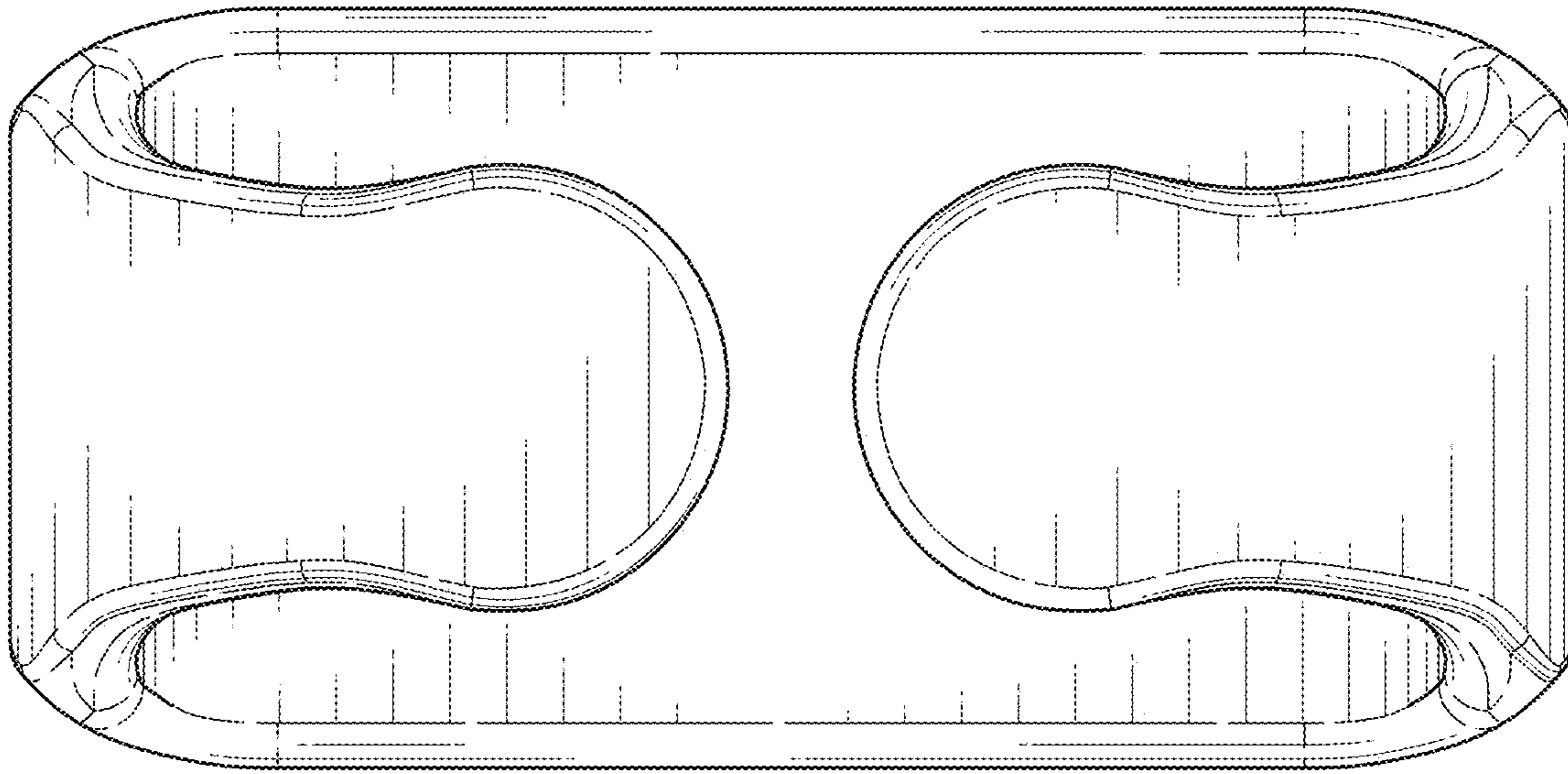


FIG. 6

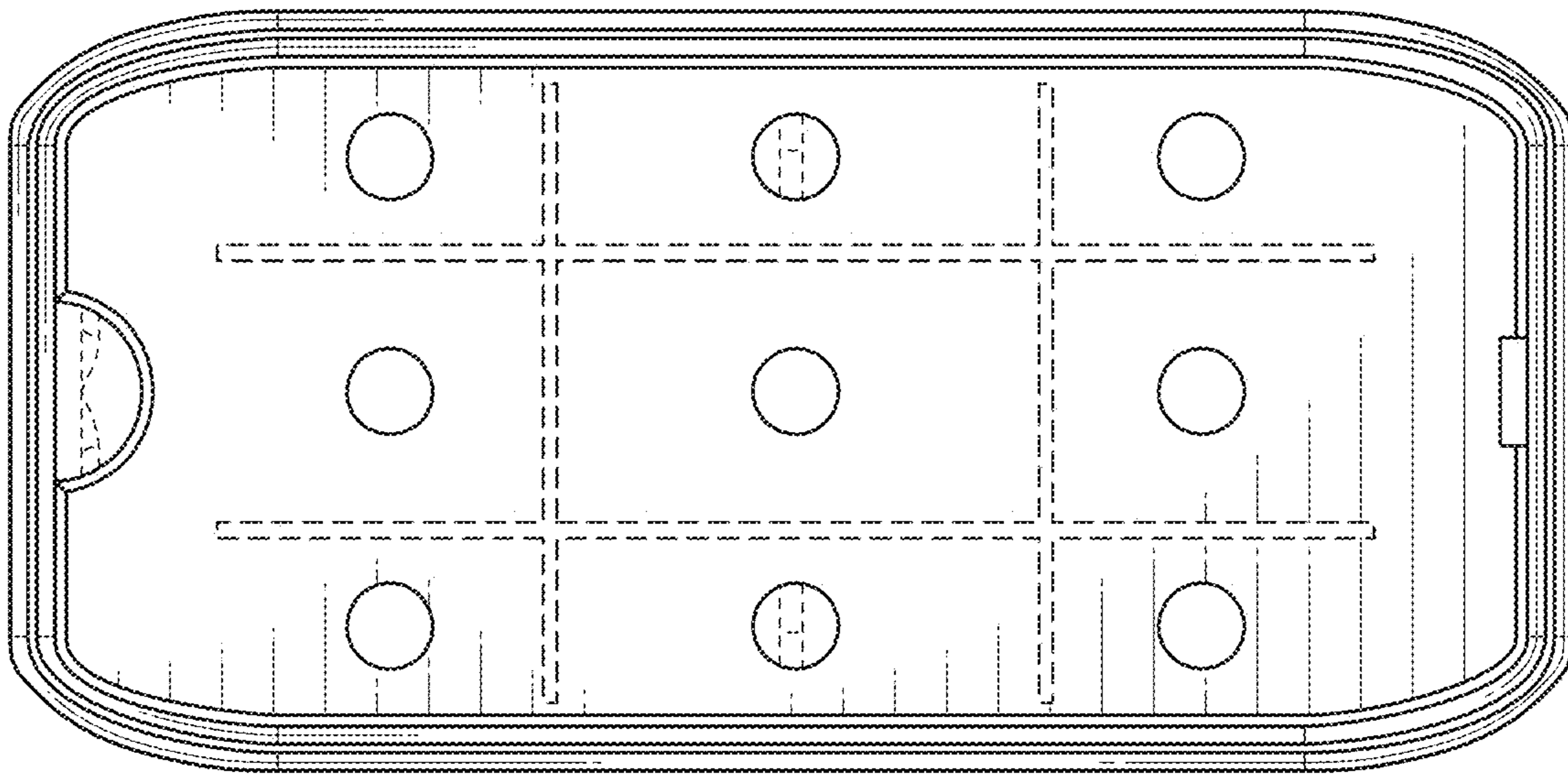


FIG. 7