



US00D986599S

(12) **United States Design Patent** (10) **Patent No.:** **US D986,599 S**
Russo (45) **Date of Patent:** **** May 23, 2023**

(54) **BRUSH WITH REMOVABLE CUSHION**
(71) Applicant: **J & D Brush Co., LLC**, Commack, NY (US)
(72) Inventor: **Melissa Russo**, Commack, NY (US)
(73) Assignee: **J & D Brush Co., LLC**, Commack, NY (US)

D864,586 S * 10/2019 Robbins D4/134
D869,859 S * 12/2019 Treeby D4/134
D908,367 S * 1/2021 Heaton D4/138
D939,838 S * 1/2022 Bourgeois D28/35
D940,468 S * 1/2022 Sommer D4/134
D941,037 S * 1/2022 Wojczak D4/138
11,259,625 B2 * 3/2022 Myers A45D 6/00
D973,372 S * 12/2022 Lazurowicz A45D 6/00

(**) Term: **15 Years**
(21) Appl. No.: **29/798,591**

(22) Filed: **Jul. 8, 2021**
(51) **LOC (14) Cl.** **04-02**
(52) **U.S. Cl.**
USPC **D4/134; D4/121**

(58) **Field of Classification Search**
USPC D4/114, 121, 130, 132, 134, 138, 199
CPC .. A46B 1/00; A46B 3/00; A46B 3/005; A46B 3/02; A46B 3/04; A46B 3/20; A46B 3/22; A46B 5/00; A46B 5/002; A46B 5/0052; A46B 5/0029; A46B 5/0033; A46B 5/0037; A46B 5/0054; A46B 5/0062; A46B 5/0066; A46B 5/0095; A46B 5/02; A46B 5/021; A46B 7/00; A46B 7/06; A46B 9/00; A46B 9/02; A46B 9/023; A46B 9/025; A46B 9/028; A46B 2200/00; A46B 2200/10; A46B 2200/102; A46B 2200/104; A46B 13/00; A46B 13/08
See application file for complete search history.

(56) **References Cited**
U.S. PATENT DOCUMENTS
D509,363 S * 9/2005 Kampel D4/133
D770,778 S * 11/2016 Rosenzweig D4/138
D839,609 S * 2/2019 Robbins D4/134
D846,888 S * 4/2019 Rosenzweig D4/136
D859,850 S * 9/2019 Meagher D4/134

OTHER PUBLICATIONS

New!!! Wet Brush Innovation—(Core) Pure & Clean Detangler Brush, posted Mar. 17, 2022 [online], [retrieved Jan. 3, 2023]. Retrieved from internet, <https://www.ebay.com/itm/294830074562> (Year: 2022).*

(Continued)

Primary Examiner — Alison M Ofstun
Assistant Examiner — Evin Franklin George Ershock
(74) *Attorney, Agent, or Firm* — Gloria Tsui-Yip; Gottlieb, Rackman & Reisman, P.C.

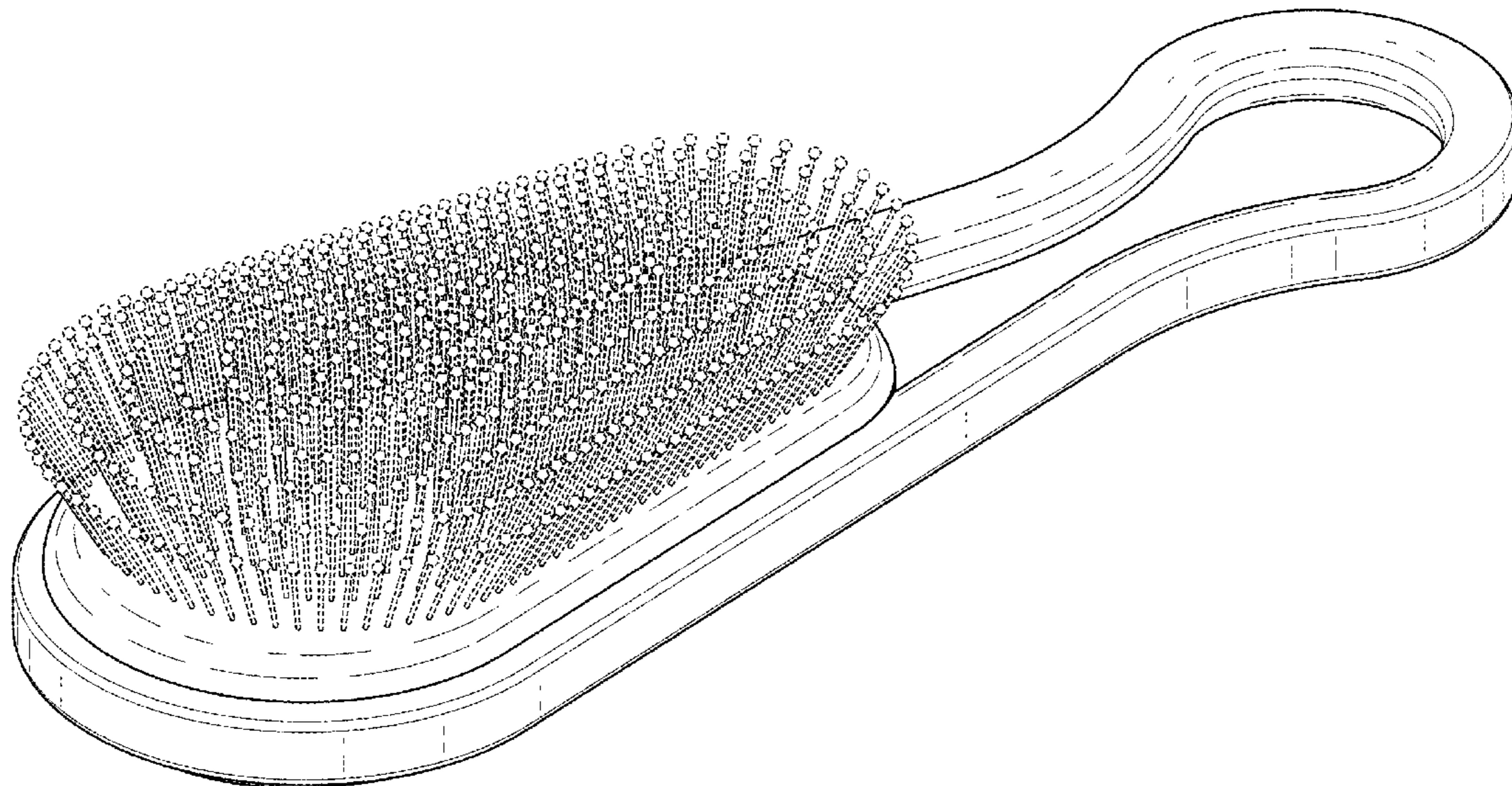
(57) **CLAIM**

The ornamental design for a brush with removable cushion, as shown and described.

DESCRIPTION

FIG. 1 is a perspective view of a brush with removable cushion of my new design;
FIG. 2 is a left side elevational view thereof;
FIG. 3 is a top plan view thereof;
FIG. 4 is a right side elevational view thereof;
FIG. 5 is a bottom plan view thereof;
FIG. 6 is a rear elevational view thereof;
FIG. 7 is a front elevational view thereof;
FIG. 8 is another perspective view thereof; and,
FIG. 9 is an exploded, perspective view.
The broken lines in the drawings depict portions of the brush that form no part of the claimed design.

1 Claim, 6 Drawing Sheets



(56)

References Cited

OTHER PUBLICATIONS

WetBrush Anti-Microbial Purifying Detangler, posting date unknown [online], [retrieved Jan. 3, 2023]. Retrieved from internet, <https://www.hairhealthbeauty.co.za/product/wetbrush-anti-microbial-purifying-detangler> (Year: 2023).*

WetBrush Anti-Microbial Purifying Detangler, posting date unknown [online], [retrieved Jan. 3, 2023]. Retrieved from internet, <https://www.hairhousewarehouse.co.za/product/wetbrush-anti-microbial-purifying-detangler> (Year: 2023).*

* cited by examiner

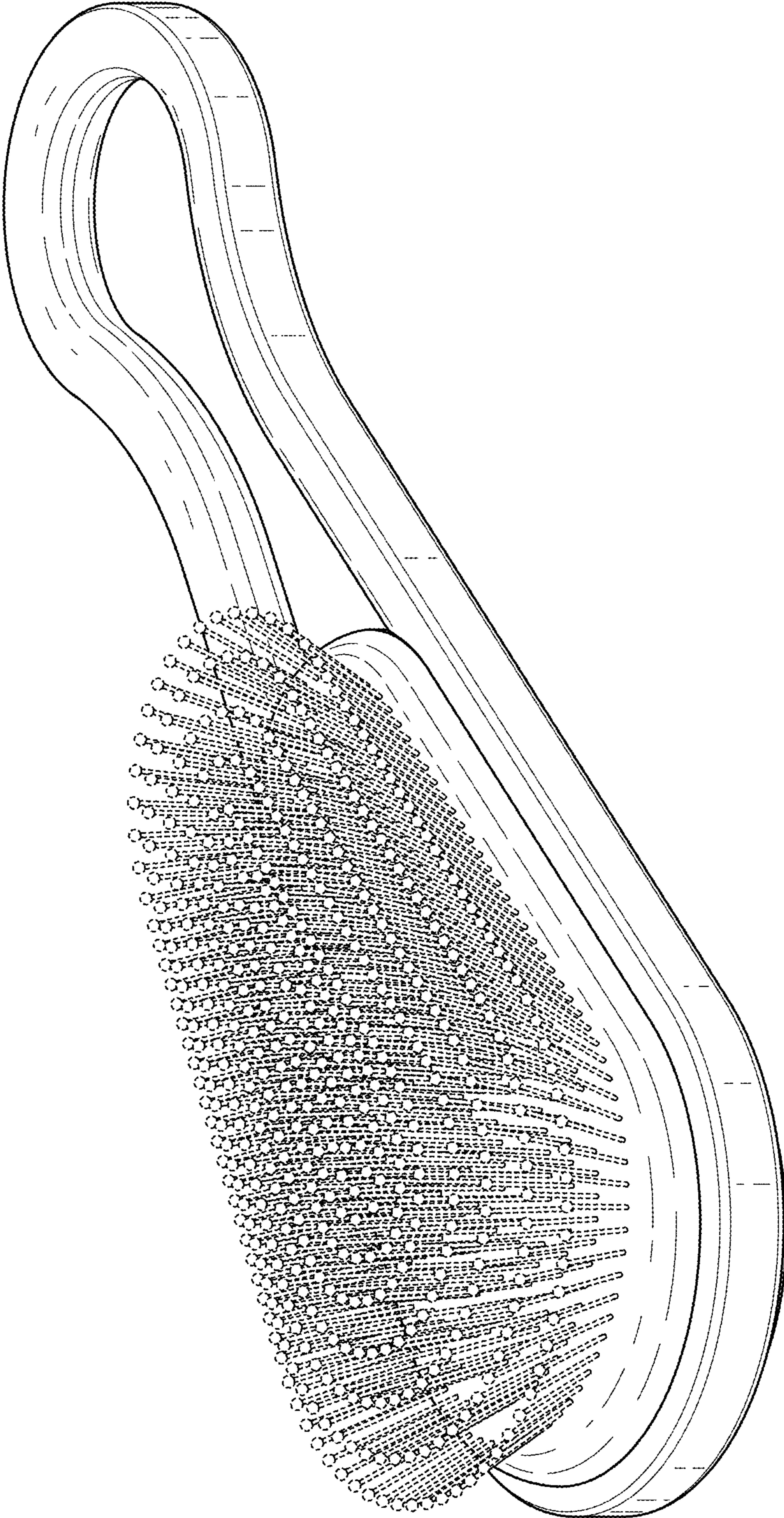


FIG.1

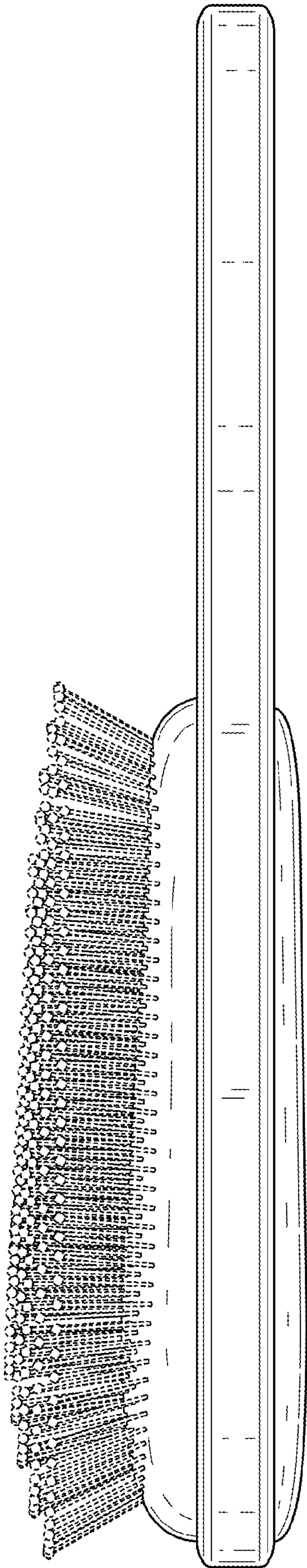


FIG. 2

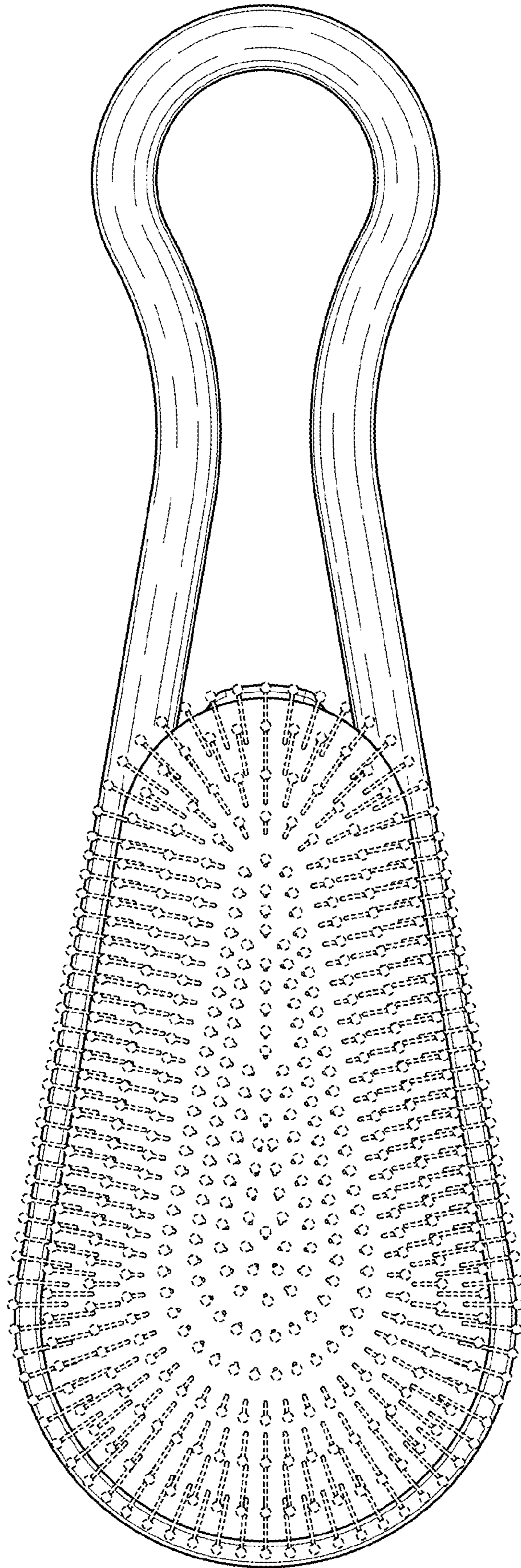


FIG. 3

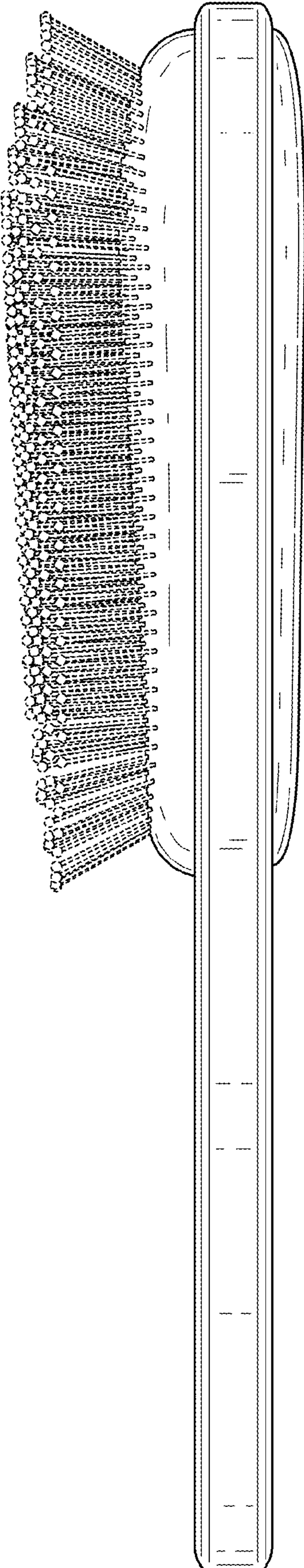


FIG.4

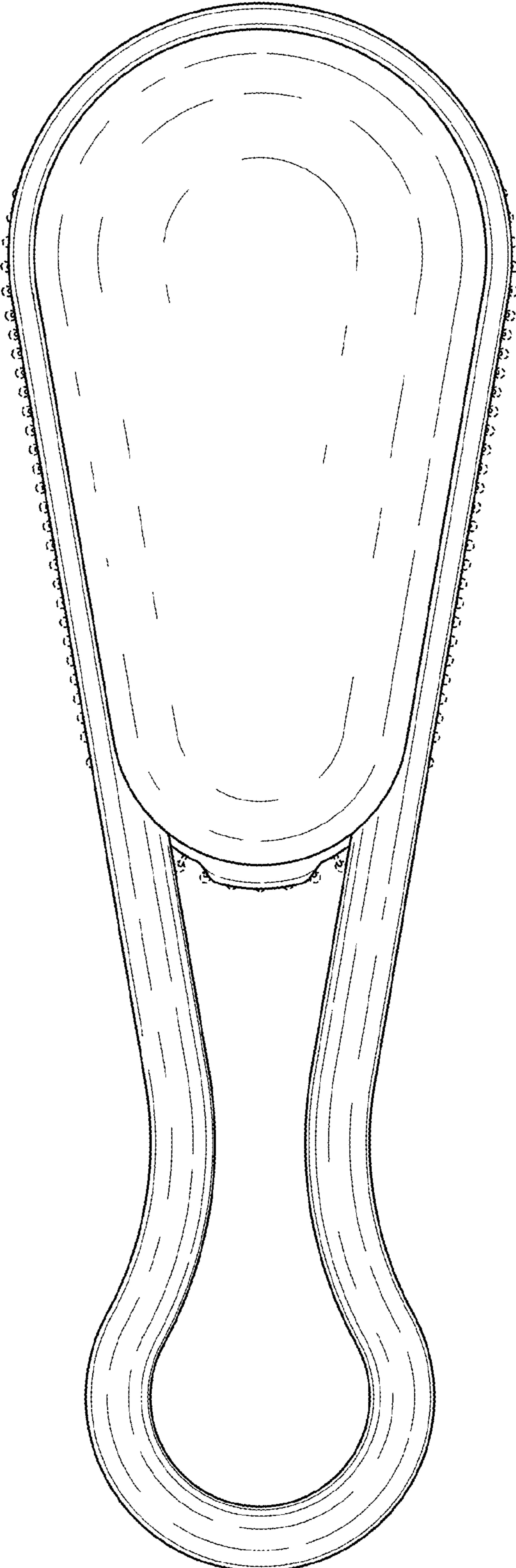


FIG.5

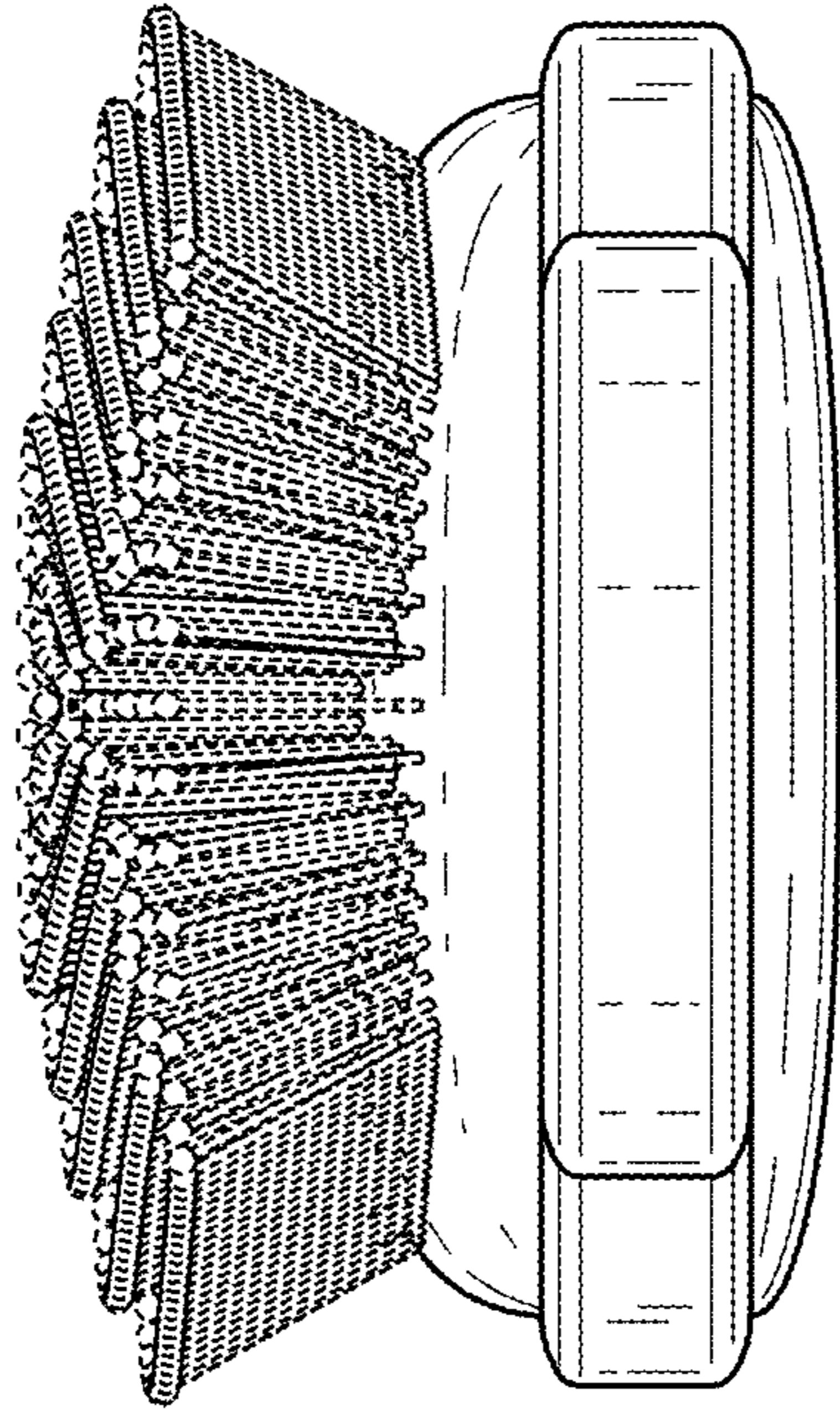


FIG. 7

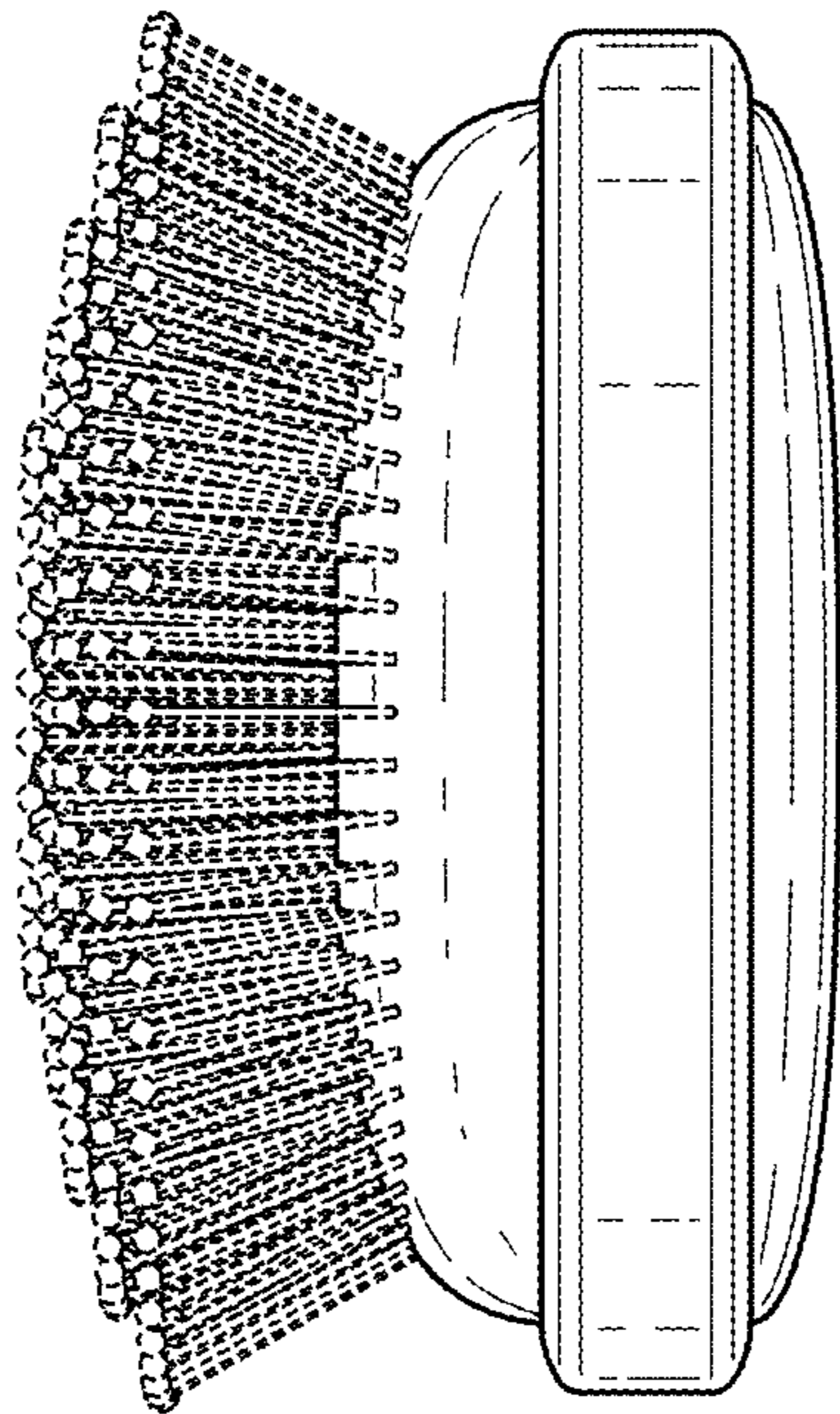


FIG. 6

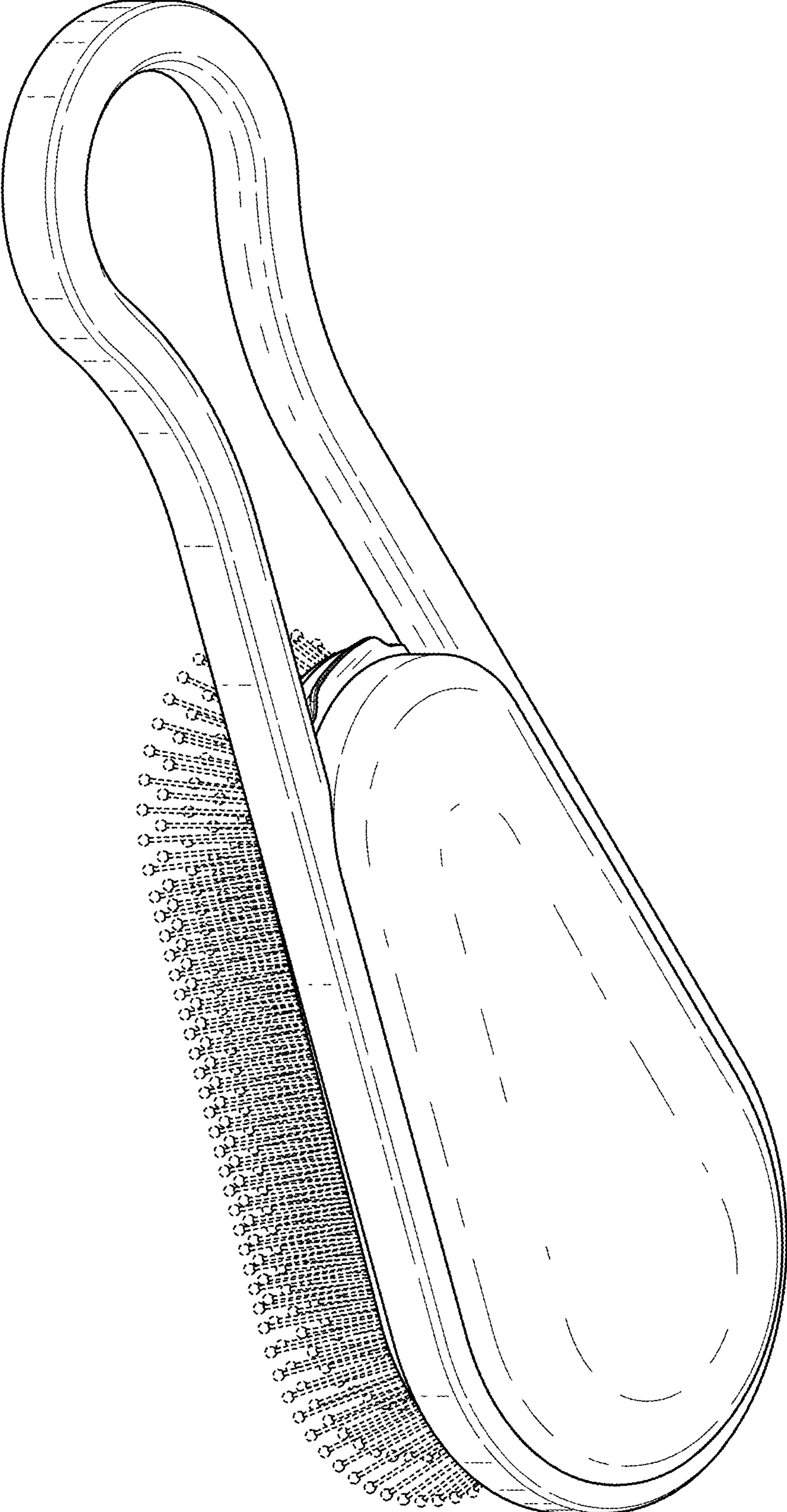


FIG.8

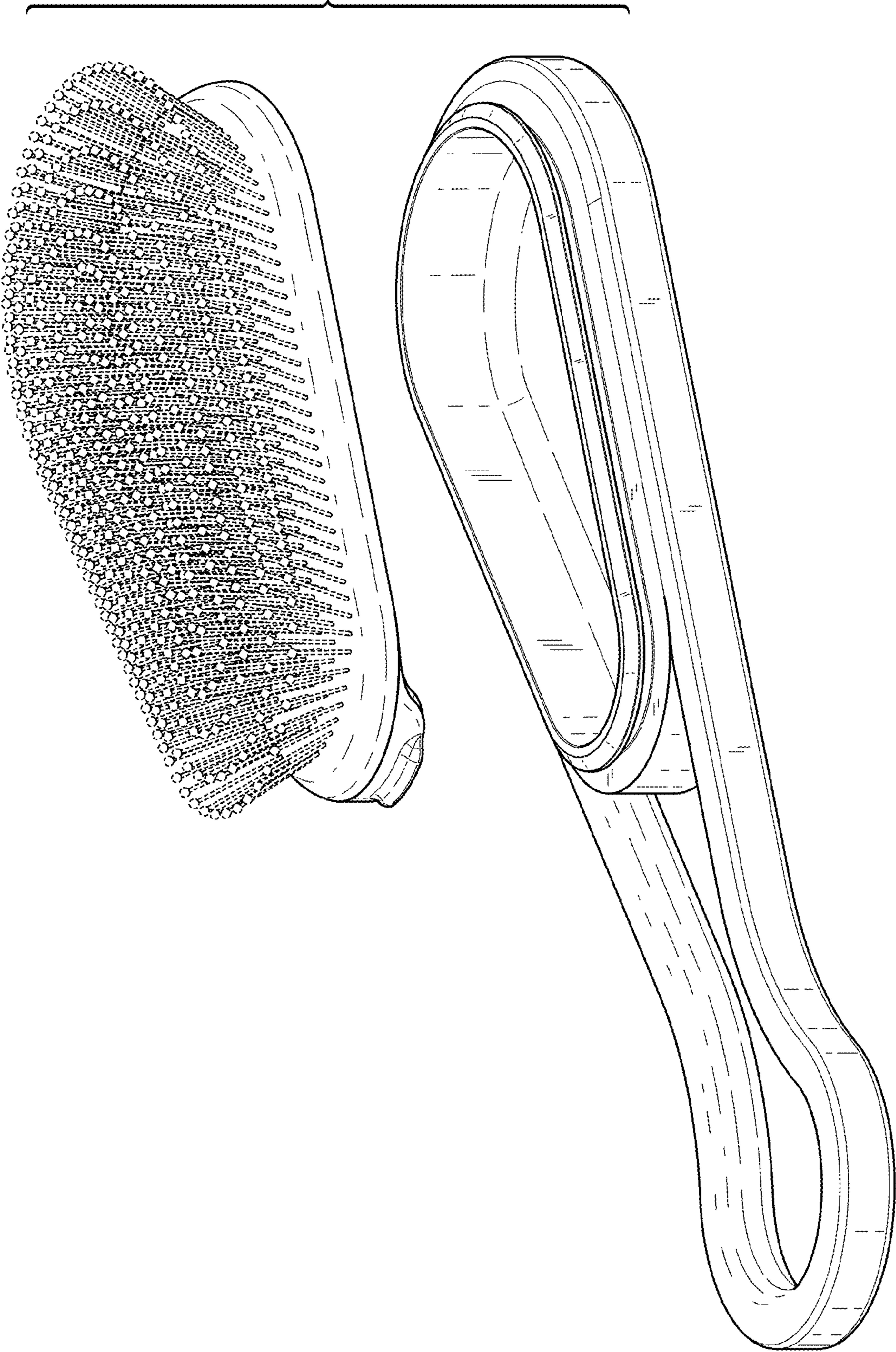


FIG.9