



US00D986595S

(12) **United States Design Patent**  
**Underhill et al.**

(10) **Patent No.:** **US D986,595 S**

(45) **Date of Patent:** **\*\* May 23, 2023**

(54) **CASE**

(71) Applicant: **THE NOCO COMPANY**, Glenwillow, OH (US)

(72) Inventors: **Derek Michael Underhill**, Tempe, AZ (US); **Jonathan Lewis Nook**, Gates Mills, OH (US)

(73) Assignee: **The Noco Company**, Glenwillow, OH (US)

(\*\*) Term: **15 Years**

(21) Appl. No.: **29/761,163**

(22) Filed: **Dec. 7, 2020**

(51) **LOC (14) Cl.** ..... **03-01**

(52) **U.S. Cl.**  
USPC ..... **D3/301**

(58) **Field of Classification Search**  
USPC ..... D3/207, 212, 273, 276, 294, 302, 301  
CPC ..... A45C 2011/001; H04L 45/60  
See application file for complete search history.

(56) **References Cited**

**U.S. PATENT DOCUMENTS**

D191,427 S *	9/1961	Peterman	.....	D3/294
D512,216 S	12/2005	Joyce		
D531,805 S *	11/2006	Aglassinger	.....	B25H 3/02
				D3/315
D599,112 S *	9/2009	Wenchel	.....	D3/905
7,641,048 B1 *	1/2010	Shih	.....	B25H 3/02
				206/372
D613,506 S *	4/2010	Aglassinger	.....	D3/905
D665,167 S *	8/2012	Haener	.....	D3/276
D692,236 S	10/2013	Ashkenazy		
D733,429 S *	7/2015	Grenier	.....	D3/905
D776,523 S *	1/2017	Sabbag	.....	D9/425
D780,450 S *	3/2017	Aoki	.....	D3/276
D808,168 S	1/2018	Turczynskyj		
D832,781 S *	11/2018	Nook	.....	D13/107

D866,969 S	11/2019	Cordani		
D877,510 S *	3/2020	Christen	.....	D3/905
D902,587 S *	11/2020	Zhu	.....	D3/294
D913,758 S	3/2021	Diener		
D922,769 S	6/2021	Guo		

(Continued)

**OTHER PUBLICATIONS**

NOCO GBC017 Boost XL EVA Protection Case, announced Feb. 14, 2019 [online], [site visited Jun. 9, 2022]. Available from internet, URL: <[https://www.amazon.com/NOCO-GBC017-Boost-Protection-Case/dp/B07NRCDG31?ref\\_ast\\_sto\\_dp](https://www.amazon.com/NOCO-GBC017-Boost-Protection-Case/dp/B07NRCDG31?ref_ast_sto_dp)> (Year: 2019).\*

(Continued)

*Primary Examiner* — Kevin K Rudzinski

*Assistant Examiner* — Amber J Rabie

(74) *Attorney, Agent, or Firm* — Jones Day

(57) **CLAIM**

The ornamental design for a case, as shown and described.

**DESCRIPTION**

FIG. 1 is a perspective view of a new design for a case, in a closed position;

FIG. 2 is a front elevational view thereof;

FIG. 3 is a rear elevational view thereof;

FIG. 4 is a right side elevational view thereof;

FIG. 5 is a left side elevational view thereof;

FIG. 6 is a bottom plan view thereof;

FIG. 7 is a top plan view thereof;

FIG. 8 is a perspective view of a new design for a case, in an open position;

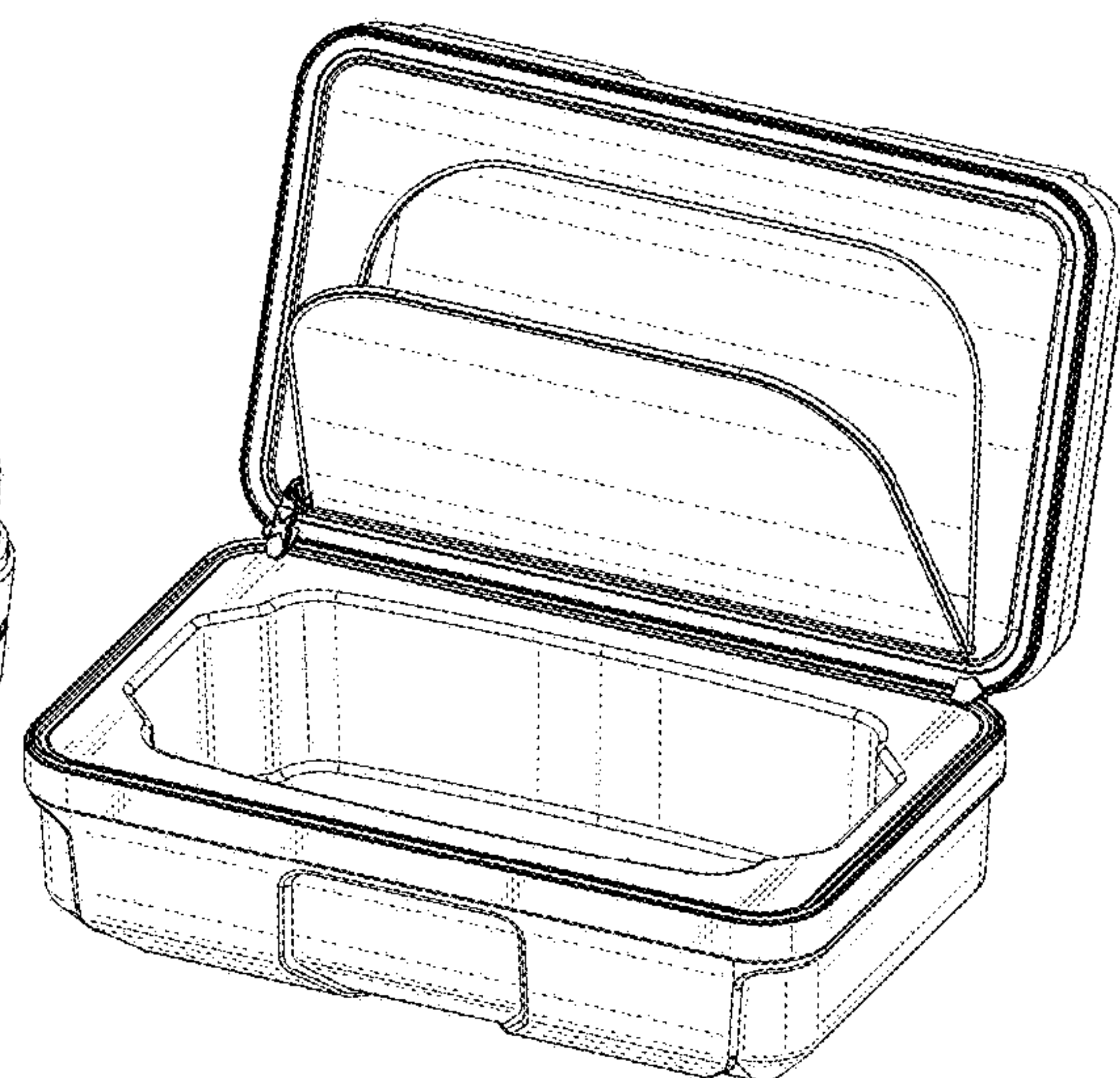
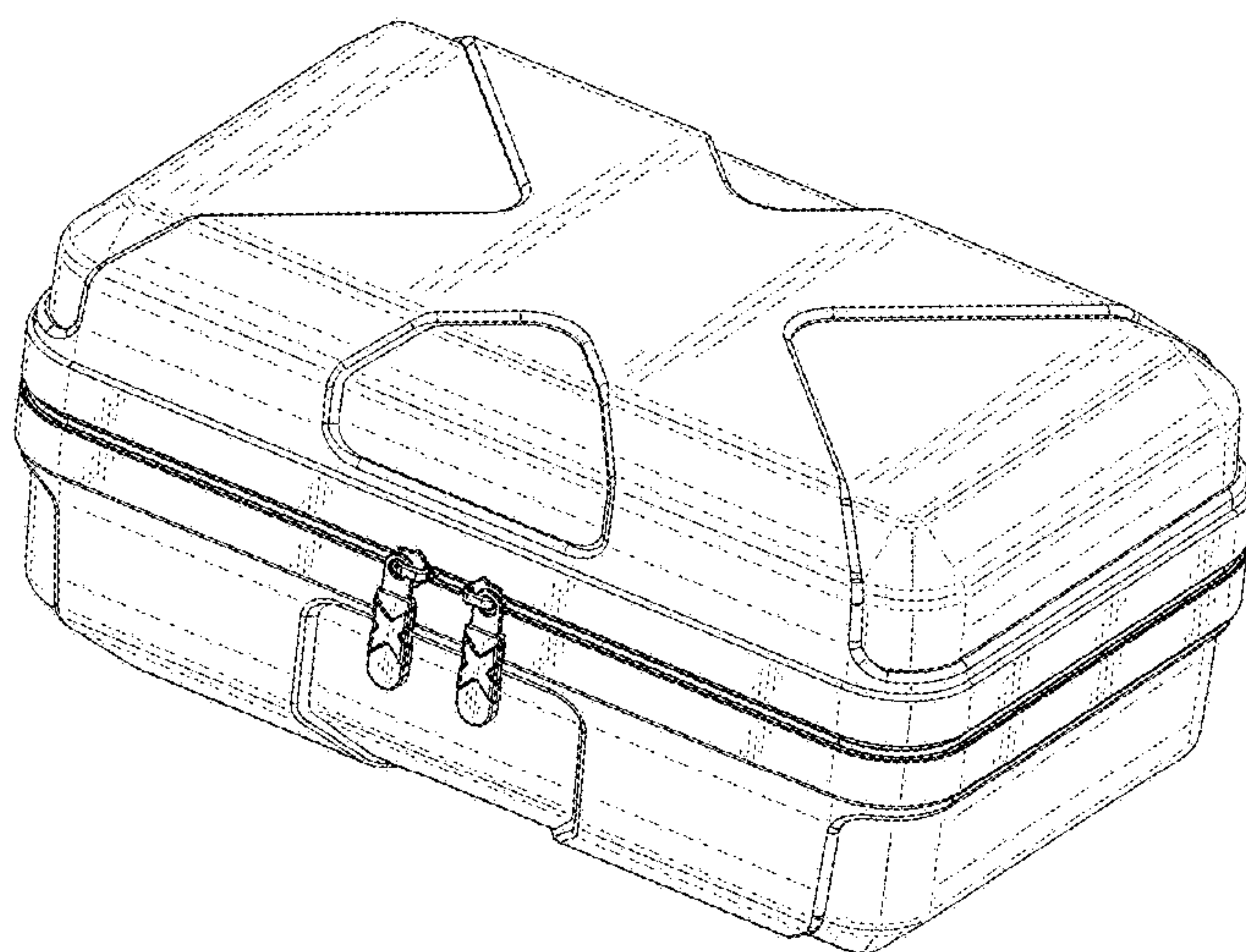
FIG. 9 is a top plan view thereof;

FIG. 10 is a front elevational view thereof; and,

FIG. 11 is a left side elevational view thereof.

The broken lines represent stitching on the case that forms no part of the claimed design.

**1 Claim, 11 Drawing Sheets**



(56)

**References Cited**

U.S. PATENT DOCUMENTS

D929,732 S 9/2021 Ding  
D943,409 S 2/2022 Ding  
2006/0011624 A1\* 1/2006 Shih ..... B25H 3/02  
220/4.24  
2006/0201958 A1\* 9/2006 Tieben ..... H01L 21/67353  
220/4.23

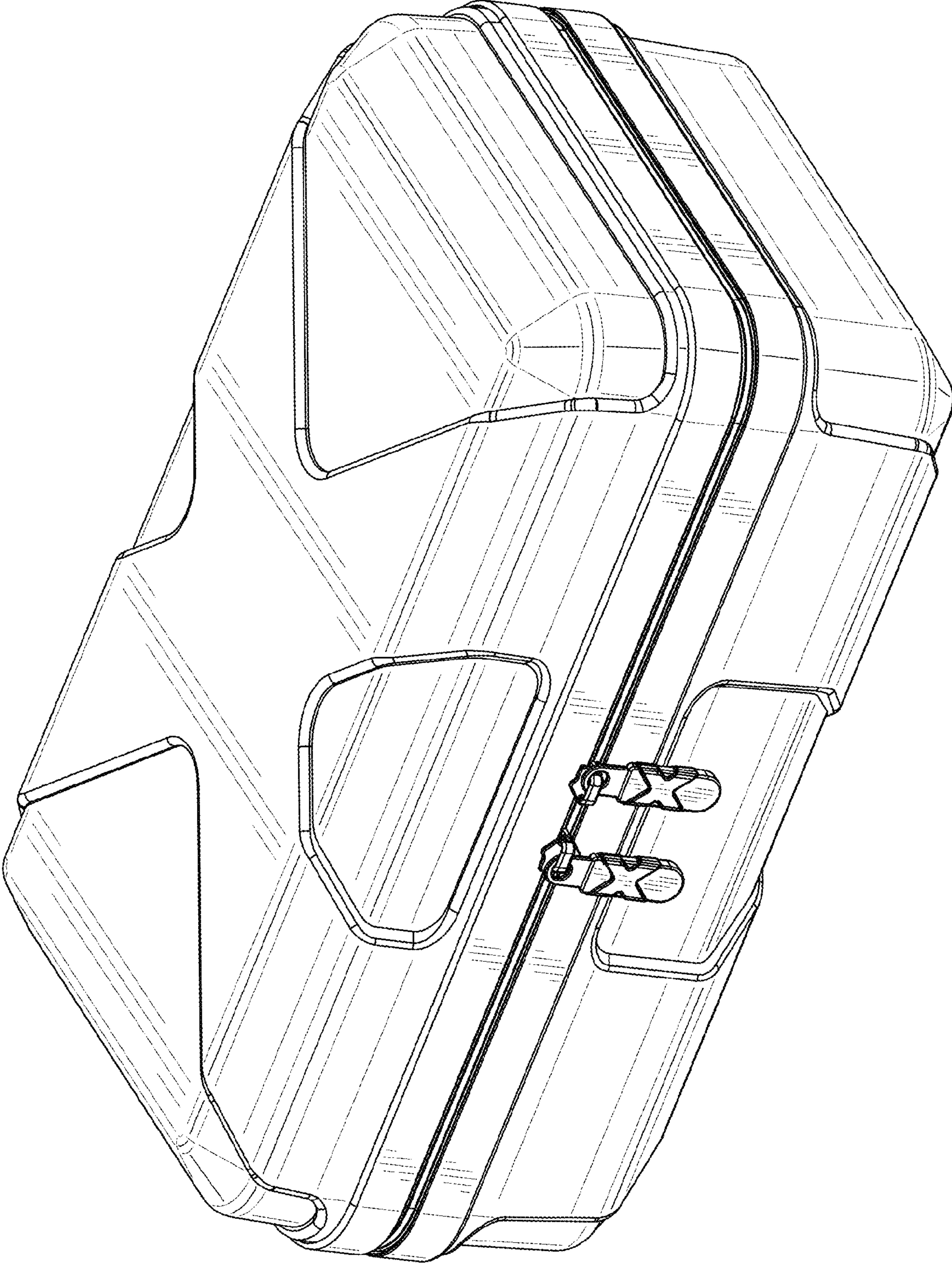
OTHER PUBLICATIONS

“NOCO GBC102 Boost X Eva Protection Case for GBX55 UltraSafe Lithium Jump Starters” First on sale Dec. 28, 2021 (<https://www.amazon.com/NOCO-G8C102-Protection-UltraSafe-Starters/dp/B09P9ZM86Q>) Year: 2021.

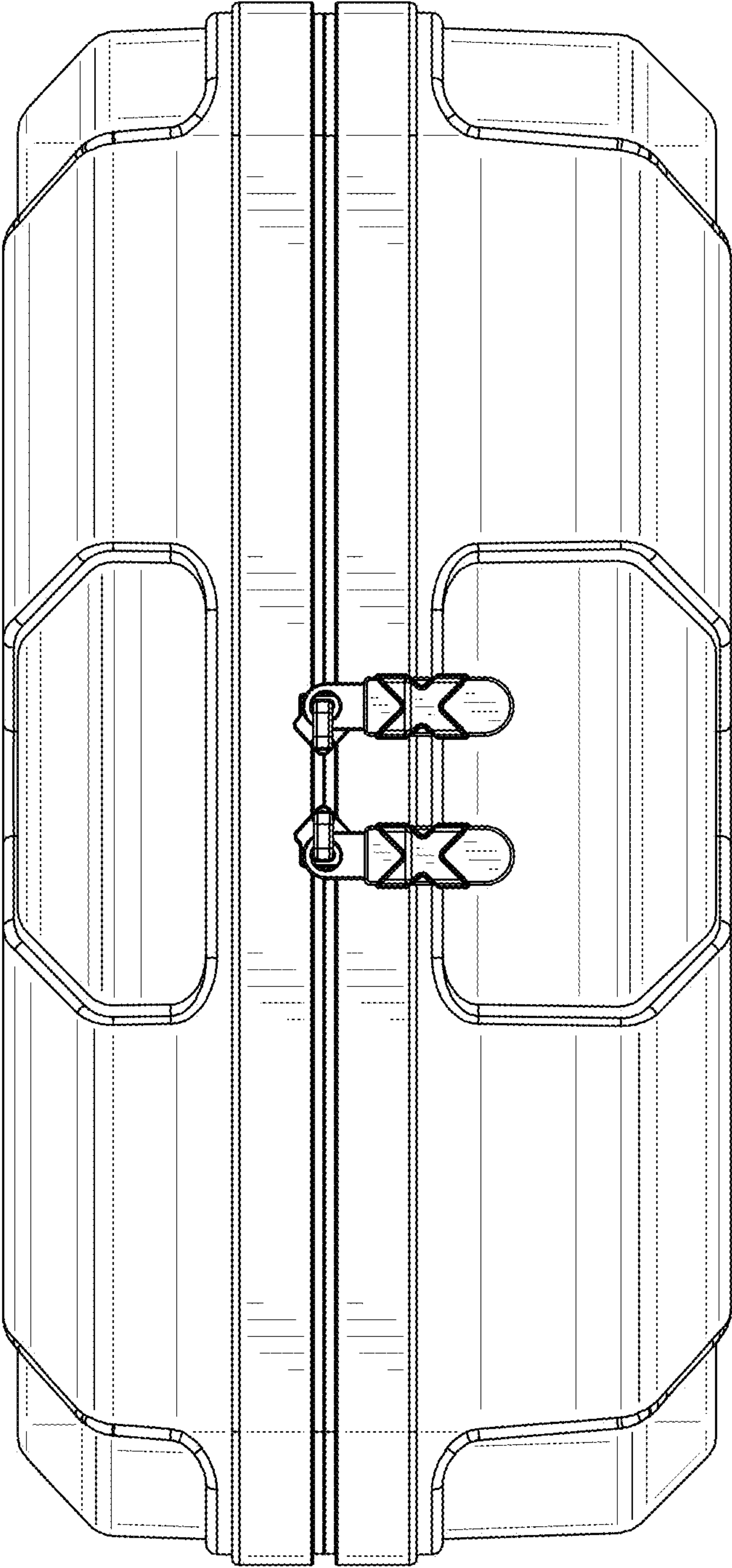
“NOCO GeniusPro 25, 25-Amp Fully Automatic Professional Smart Charger” First on sale Dec. 8, 2020. (<https://www.amazon.com/NOCO-GENIUSPRQ25-Fully-Automatic-Professional-Compensation/dp/B08Q2WD66S>) Year: 2020.

\* cited by examiner

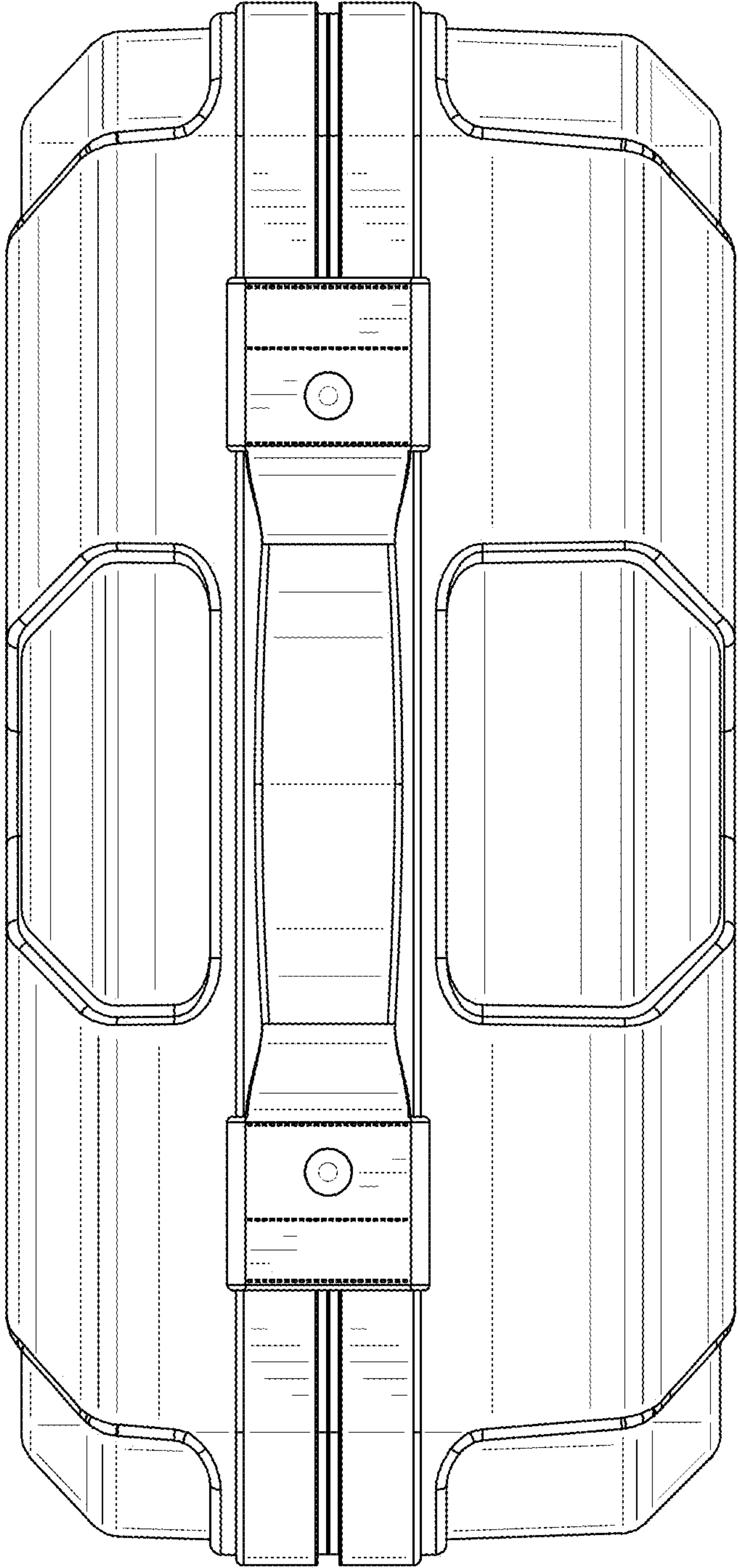




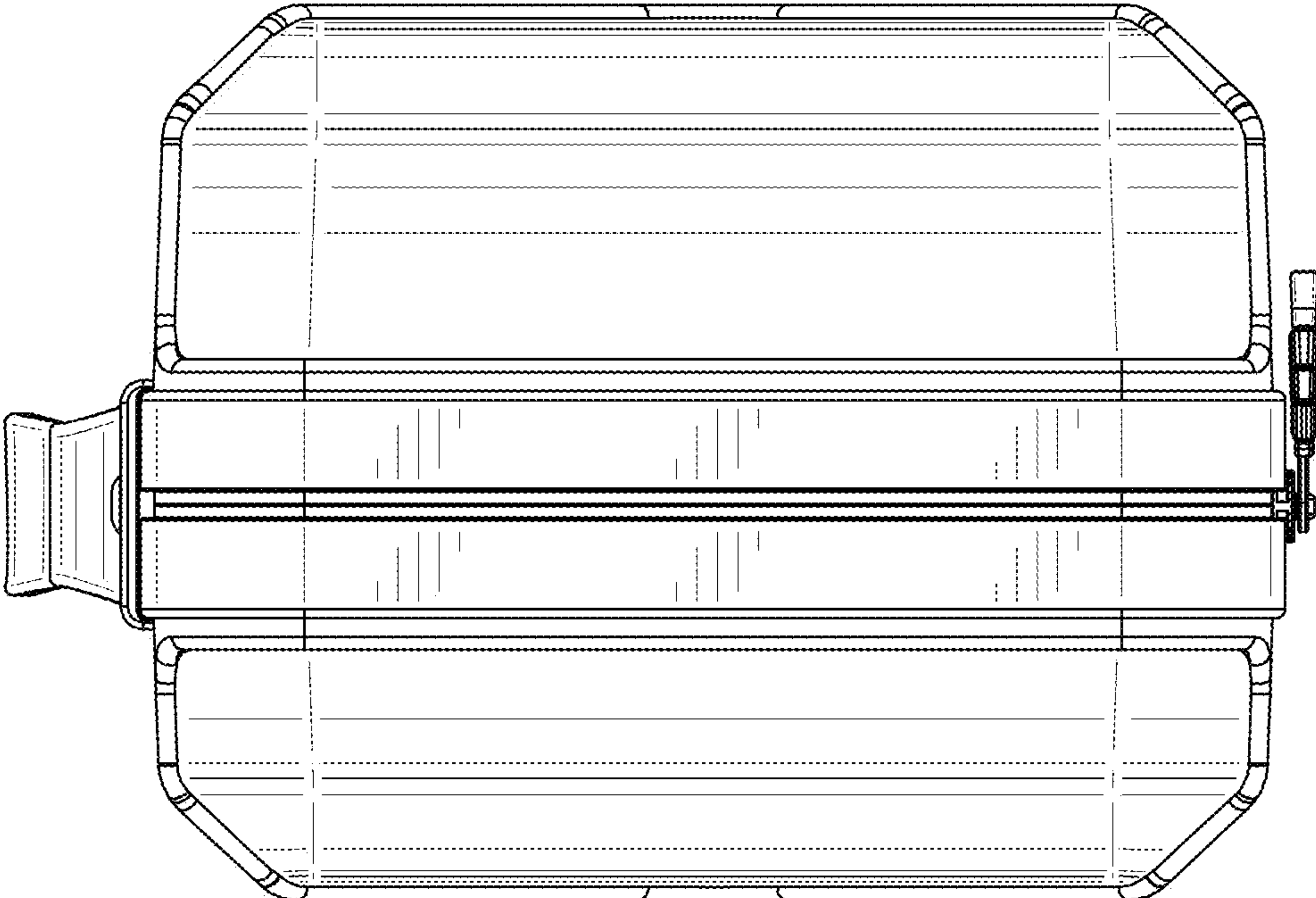
**FIG. 1**



**FIG. 2**

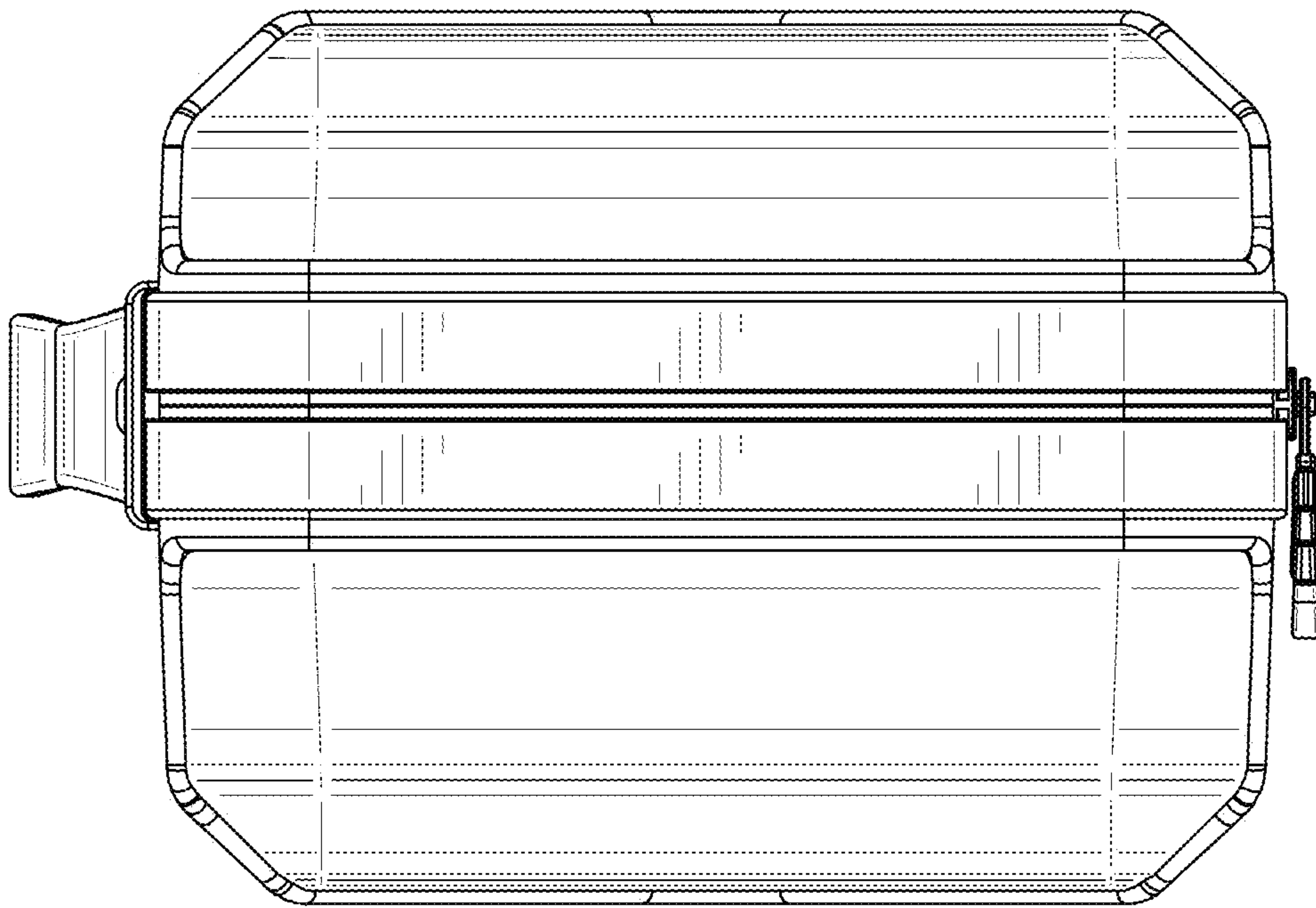


**FIG. 3**

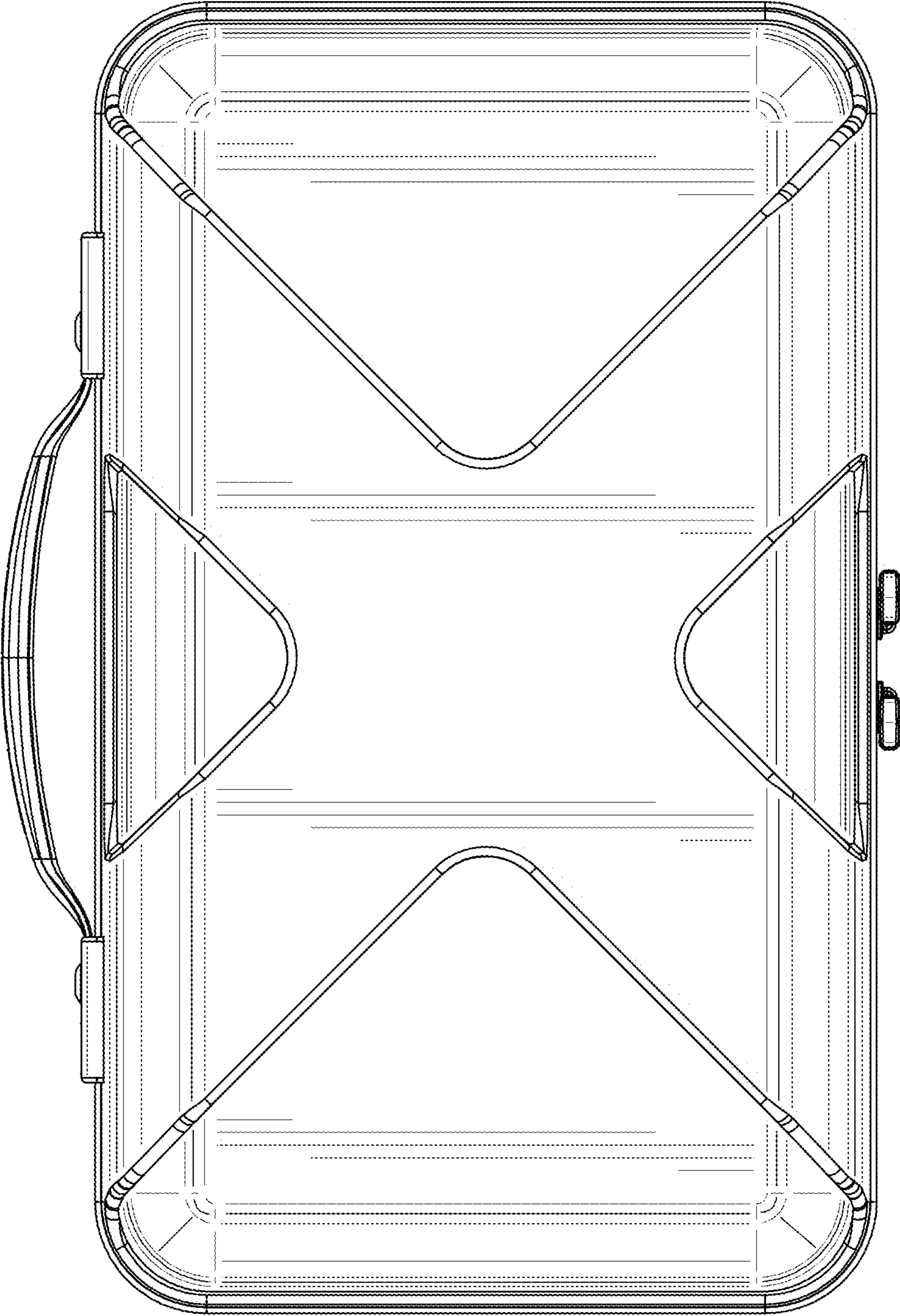


**FIG. 4**



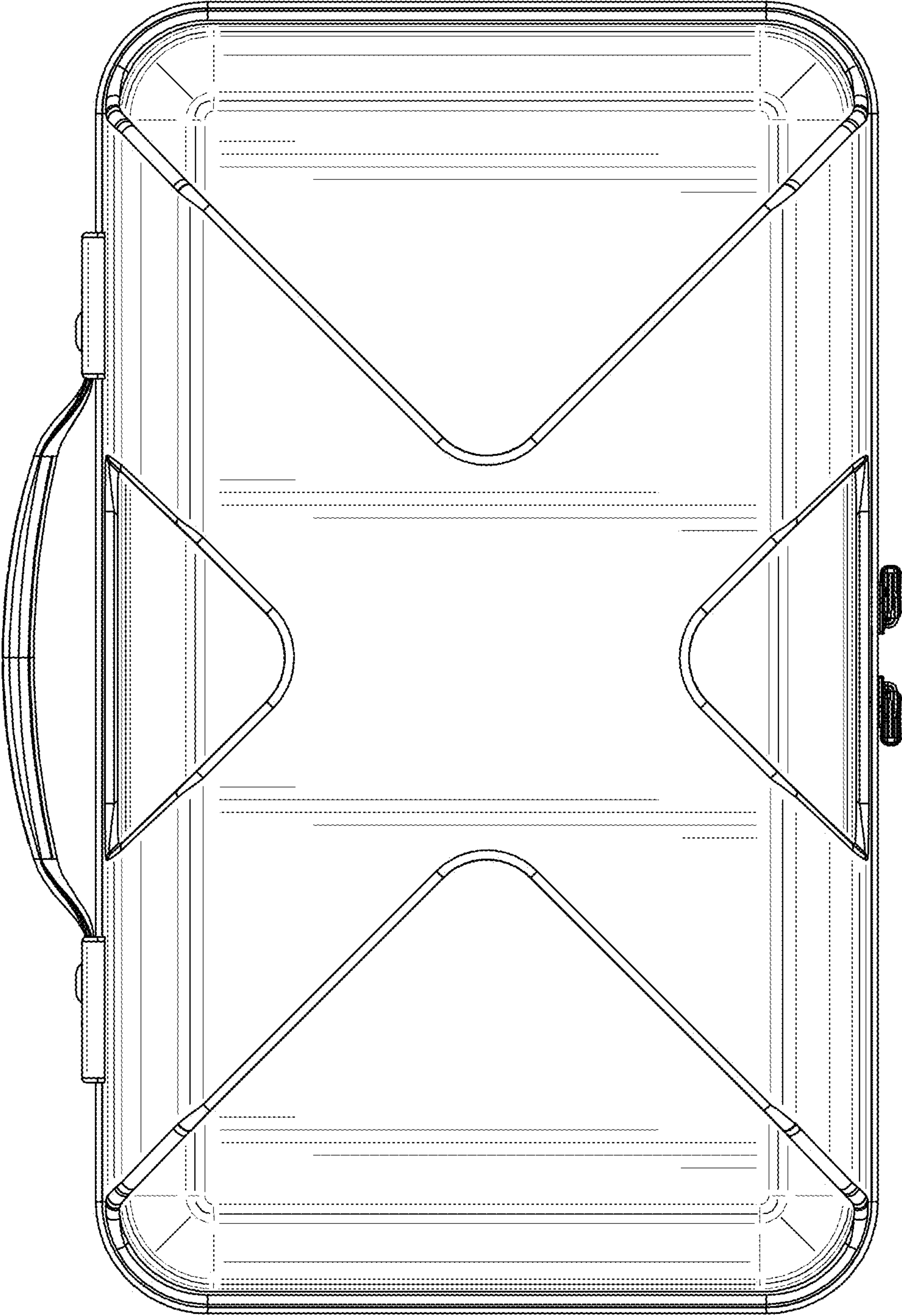


**FIG. 5**

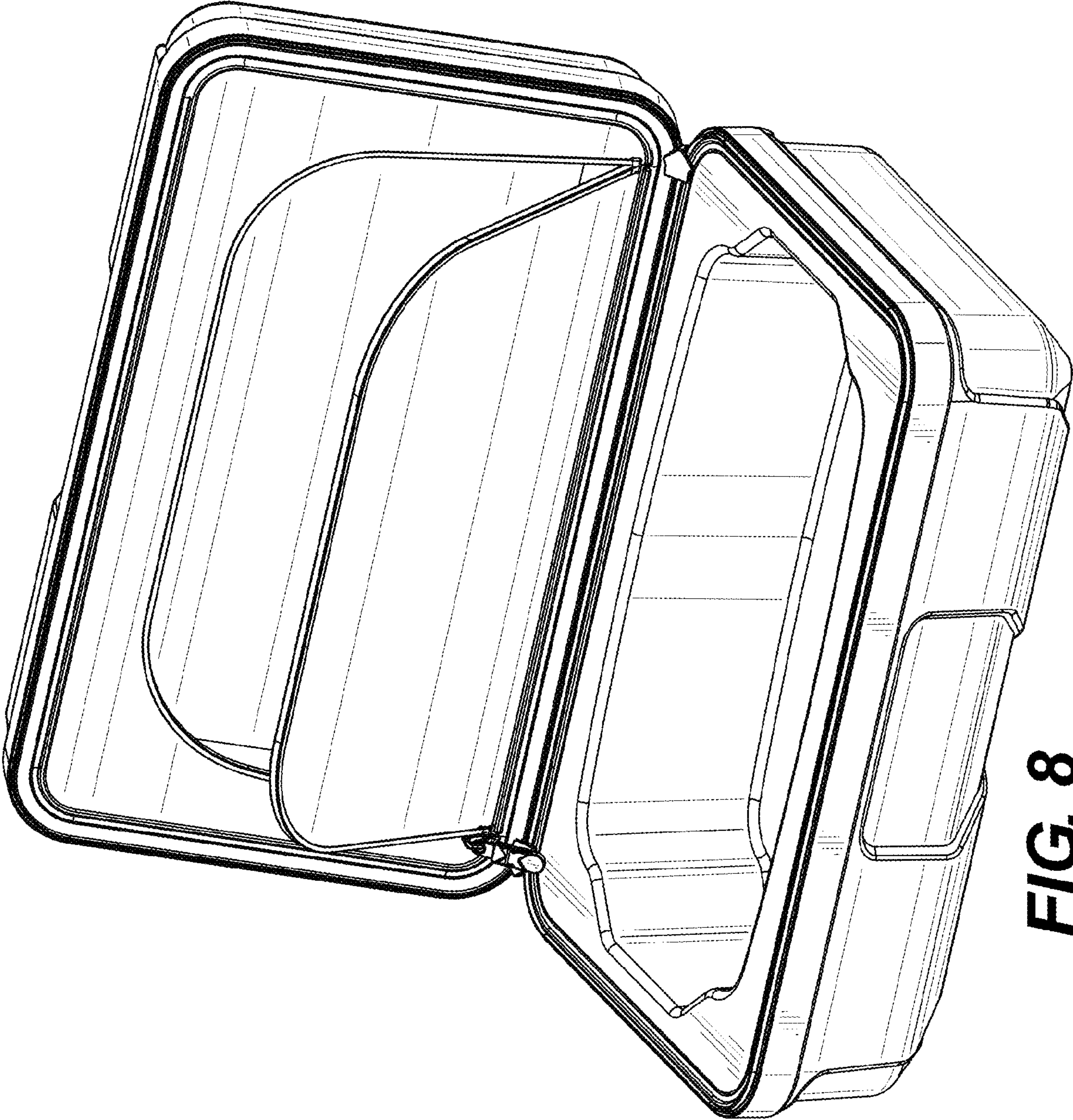


**FIG. 6**

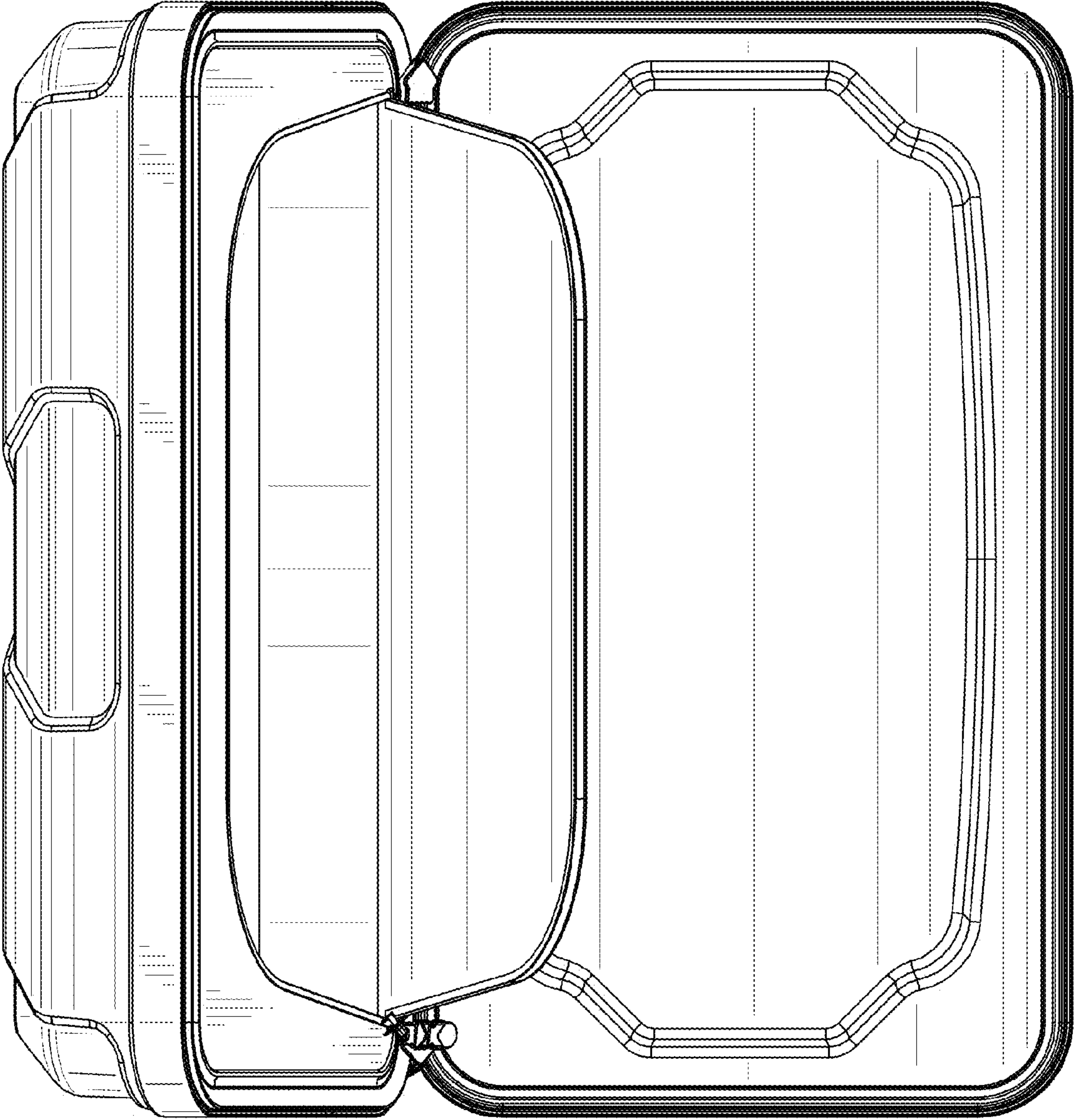




**FIG. 7**

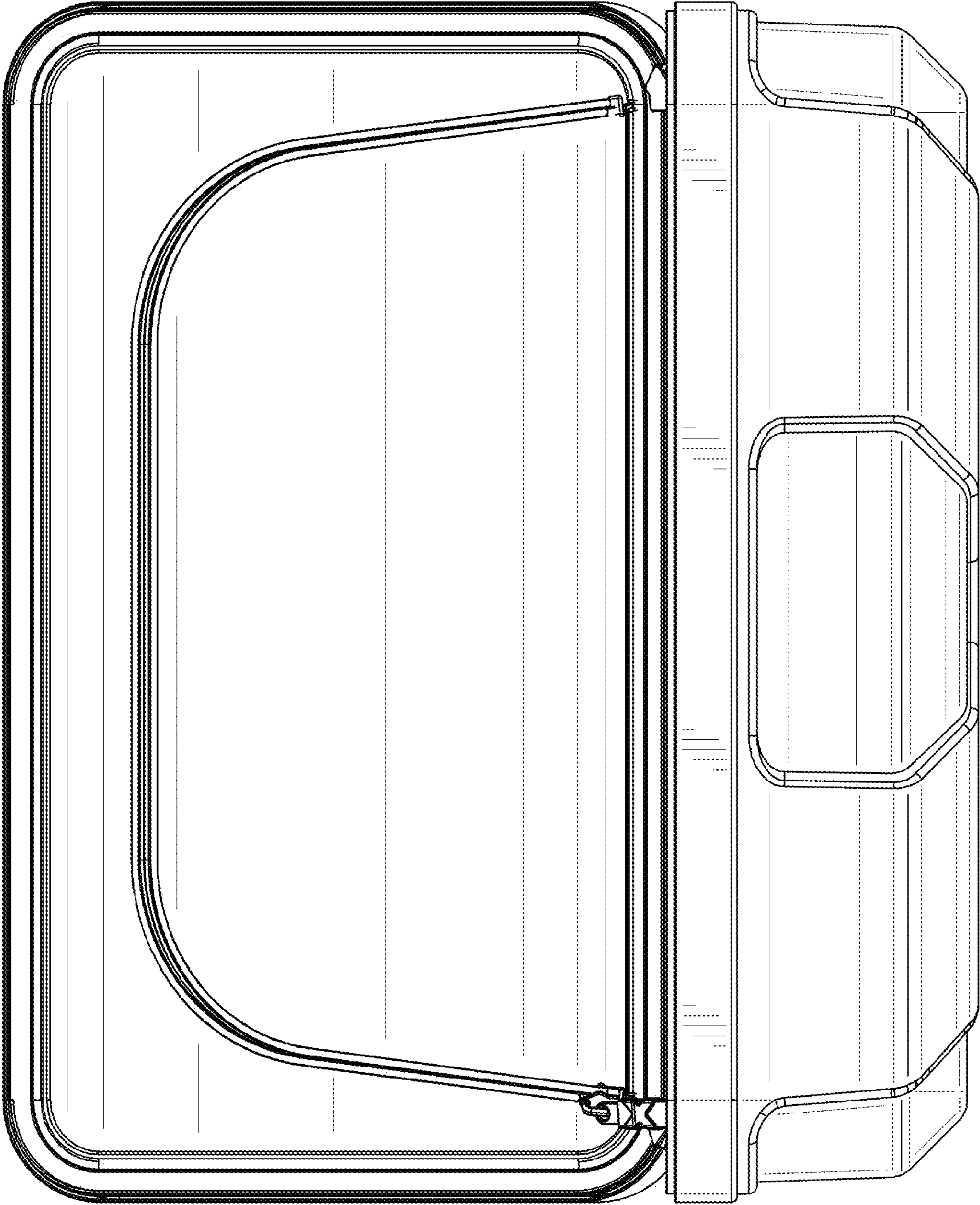


**FIG. 8**



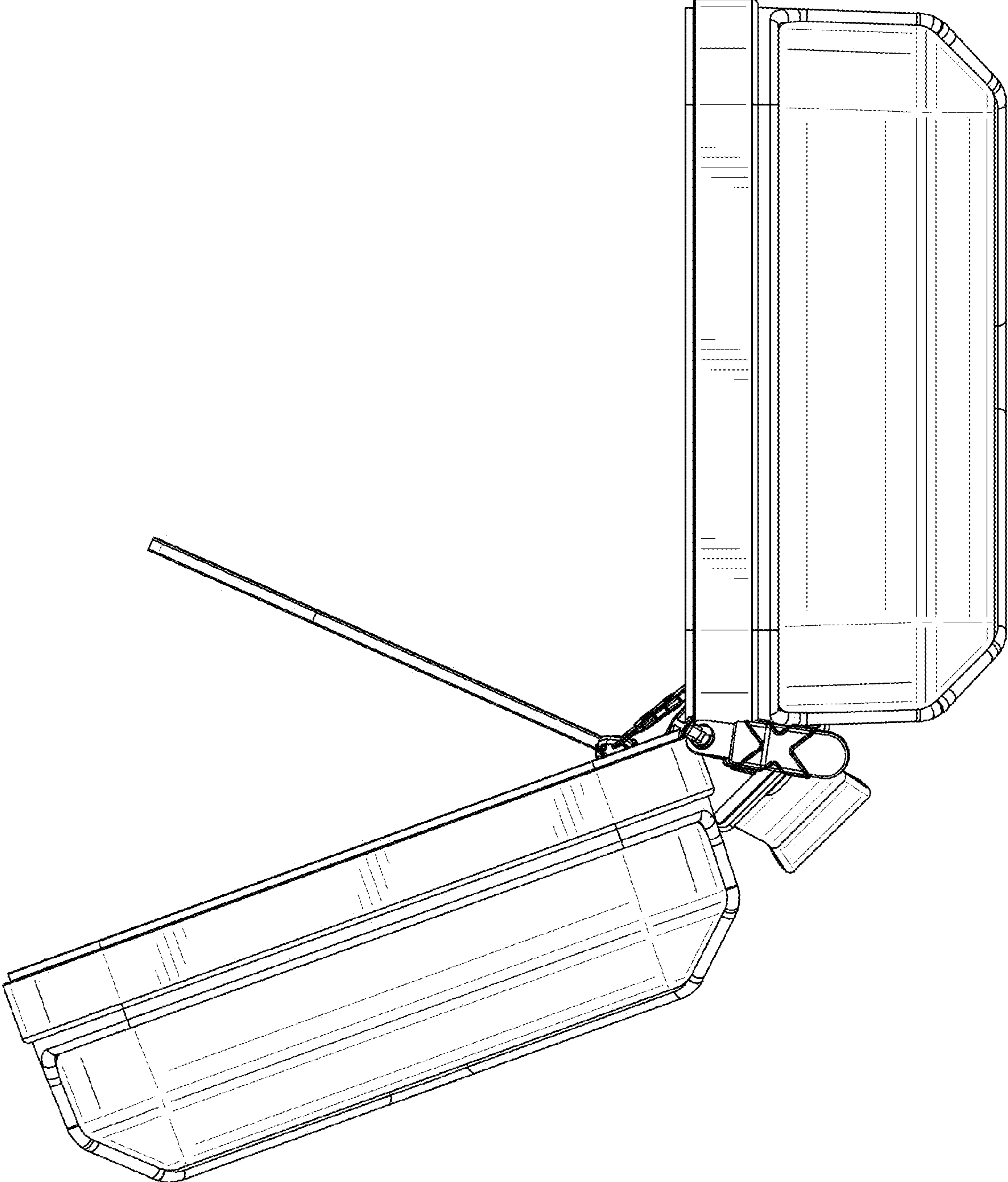
**FIG. 9**





**FIG. 10**





**FIG. 11**