



US00D986592S

(12) **United States Design Patent**
Wang et al.

(10) **Patent No.:** **US D986,592 S**

(45) **Date of Patent:** **** May 23, 2023**

(54) **CAMERA CASE**

(71) Applicant: **SHENZHEN NEEWER TECHNOLOGY CO. LTD.**, Shenzhen (CN)

(72) Inventors: **Jun Wang**, Shenzhen (CN); **Yan Ke**, Shenzhen (CN)

(73) Assignee: **SHENZHEN NEEWER TECHNOLOGY CO. LTD.**, Shenzhen (CN)

(**) Term: **15 Years**

(21) Appl. No.: **29/825,179**

(22) Filed: **Jan. 28, 2022**

(30) **Foreign Application Priority Data**

Dec. 31, 2021 (CN) 202130878127.4

(51) **LOC (14) Cl.** **03-01**

(52) **U.S. Cl.**
USPC **D3/268; D3/267**

(58) **Field of Classification Search**
USPC D3/232, 234–235, 244–246, 263, D3/267–268
CPC .. A45C 1/024; A45C 1/02; A45C 1/06; A45C 3/04; A45C 3/06; A45C 3/08; A45C 13/02; A45C 13/06; A45C 13/08; B65D 85/38

See application file for complete search history.

(56) **References Cited**

U.S. PATENT DOCUMENTS

1,325,372 A * 12/1919 Penny A45F 3/02
224/908
1,925,694 A * 9/1933 Hawkins A45C 11/38
224/908

D234,410 S * 2/1975 Rosenblum D3/287
D240,468 S * 7/1976 Ainslie D3/268
D247,068 S * 1/1978 Sykes D3/268
D252,959 S * 9/1979 Lang D3/268

(Continued)

OTHER PUBLICATIONS

NeeWER Photography Carrying Bag, first available Aug. 6, 2021, amazon.com [online], [site visited Aug. 18, 2022], Available at URL: https://www.amazon.com/NeeWER-Photography-Carrying-Protective-Lightweight/dp/B09C1KD8RD/ref=pd_lpo_1?pd_rd_i=B09C1KD8RD&psc=1 (Year: 2021).*

Primary Examiner — Jeffrey D Asch
Assistant Examiner — Caitlin A Laverty

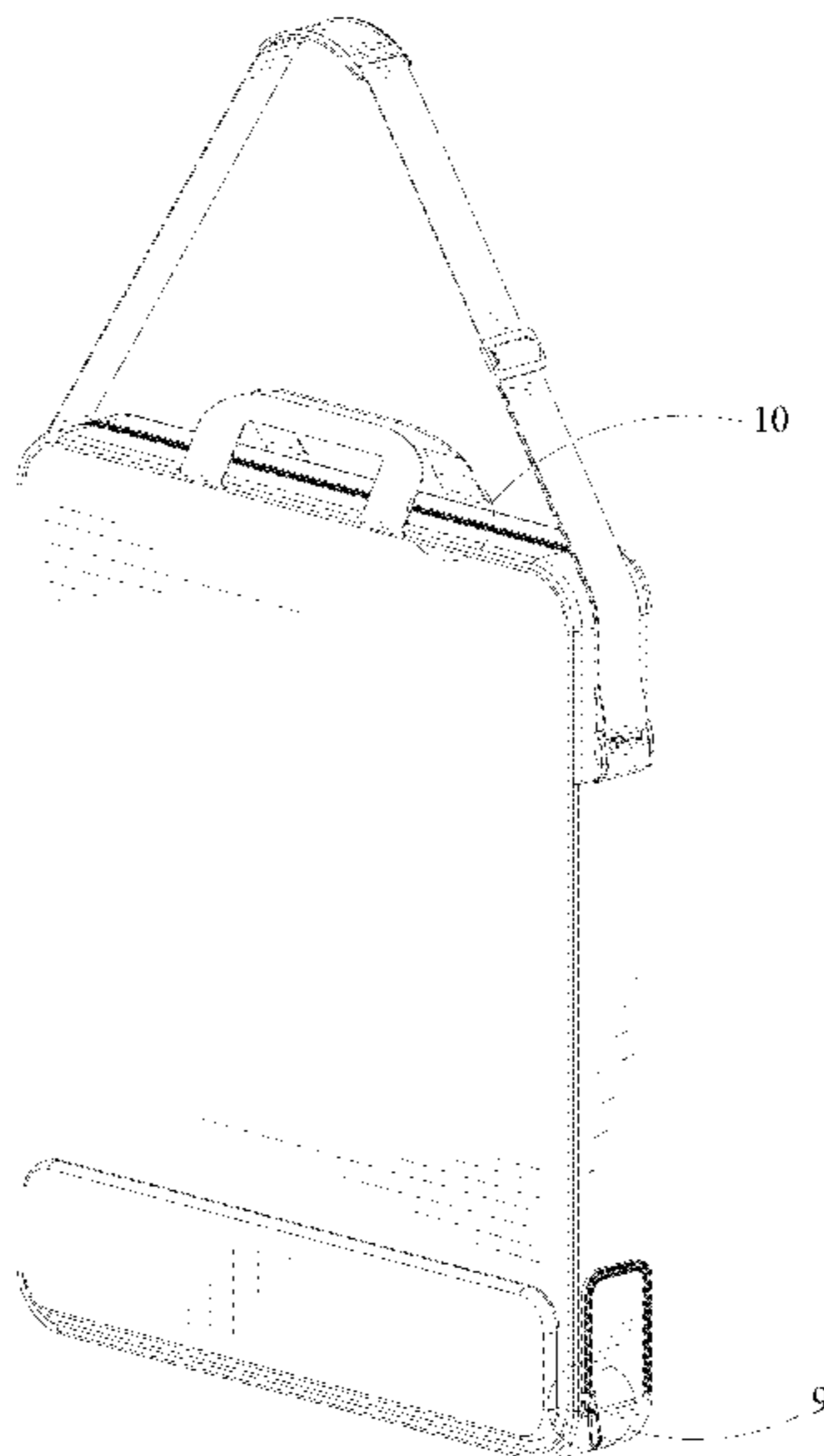
(57) **CLAIM**

We claim the ornamental design for a camera case, as shown and described.

DESCRIPTION

FIG. 1 is a perspective view of a camera case;
FIG. 2 is a perspective view thereof when the camera case of FIG. 1 is in a second state of use;
FIG. 3 is a front elevational view thereof in a first state of use;
FIG. 4 is a rear elevational view thereof;
FIG. 5 is a left side elevational view thereof;
FIG. 6 is a right side elevational view thereof;
FIG. 7 is a top plan view thereof;
FIG. 8 is a bottom plan view thereof;
FIG. 9 is an enlarged partial perspective view of the camera case of FIG. 1 of the encircled area labeled “9” in FIG. 1 showing a zipper of a side cover of the camera case; and,
FIG. 10 is an enlarged partial perspective view of the camera case of FIG. 1 of the encircled area labeled “10” in FIG. 1 showing a main zipper portion of the camera case.
Broken lines showing photographic accessories are included to illustrate environment of the camera case which form no part of the claimed design.

1 Claim, 10 Drawing Sheets



(56)

References Cited

U.S. PATENT DOCUMENTS

D258,702	S	*	3/1981	Weinreb	D3/268
D265,696	S	*	8/1982	Koszegi	D3/268
D266,971	S	*	11/1982	Katz	D3/246
D273,535	S		4/1984	Weinreb		
D276,953	S		1/1985	Weinreb		
D281,463	S	*	11/1985	Rodrigues	D3/268
D281,740	S	*	12/1985	Rodrigues	D3/268
D318,948	S		8/1991	Nordstrom		
D351,062	S	*	10/1994	Shapland	D3/242
D352,606	S	*	11/1994	Cylvick	D3/203.1
D369,676	S	*	5/1996	Palmer	D3/268
D375,629	S	*	11/1996	Chen	D3/289
D391,076	S	*	2/1998	Test	D3/301
D418,679	S	*	1/2000	Chiapperini, Jr.	D3/246
D482,866	S	*	12/2003	Fair	D3/263
D490,240	S	*	5/2004	Rogers	D3/233
D491,357	S	*	6/2004	Hassett	D3/263
D499,251	S		12/2004	Chen et al.		
D735,990	S	*	8/2015	Folise	D3/267
D816,990	S		5/2018	Naito et al.		
D958,529	S	*	7/2022	Liu	D3/289
2015/0327646	A1	*	11/2015	Chang	A45F 3/02 150/110

* cited by examiner

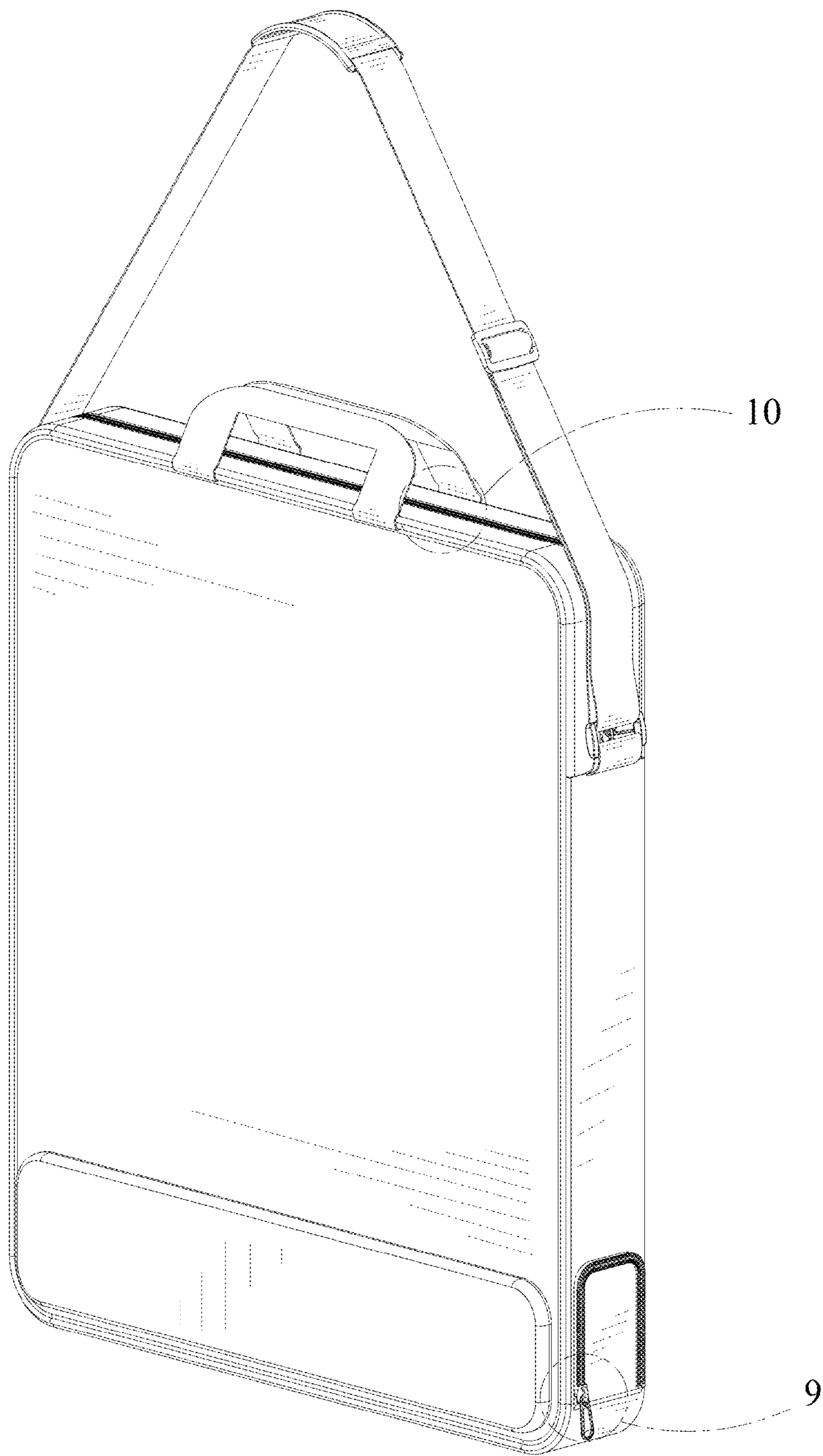


FIG. 1

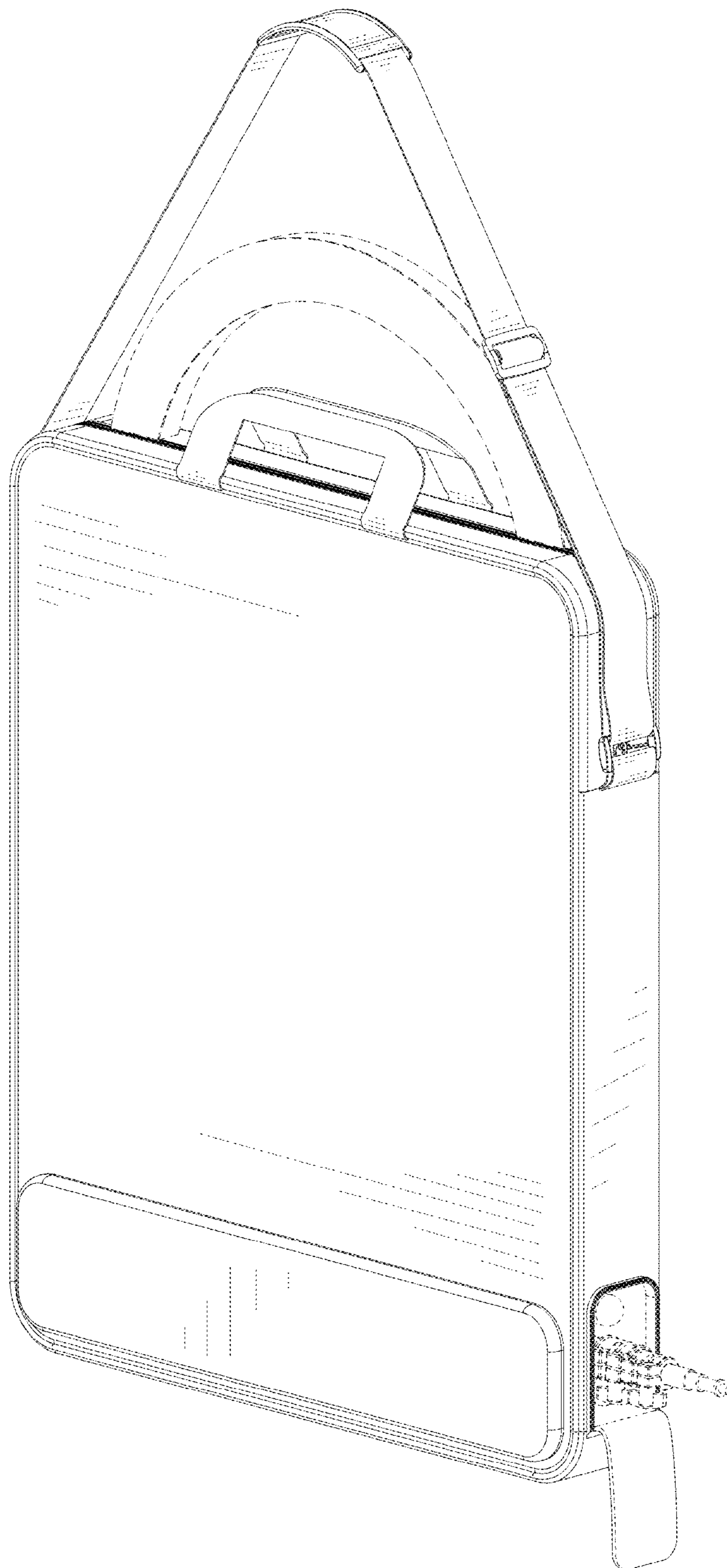


FIG. 2



FIG. 3



FIG. 4

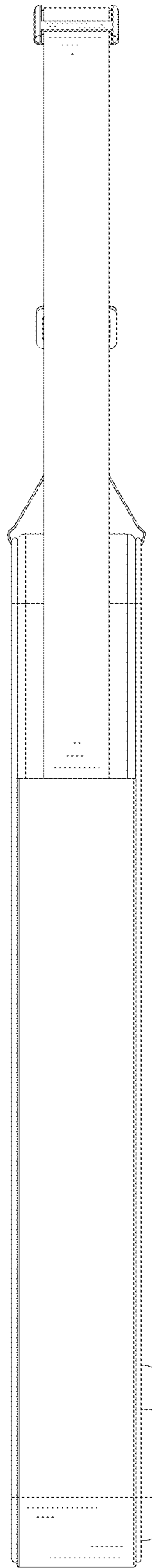


FIG. 5

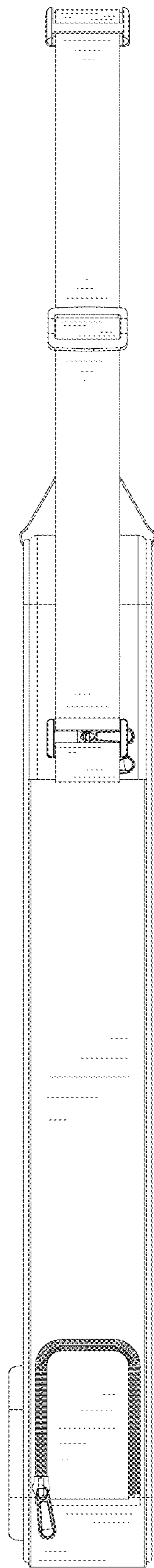


FIG. 6

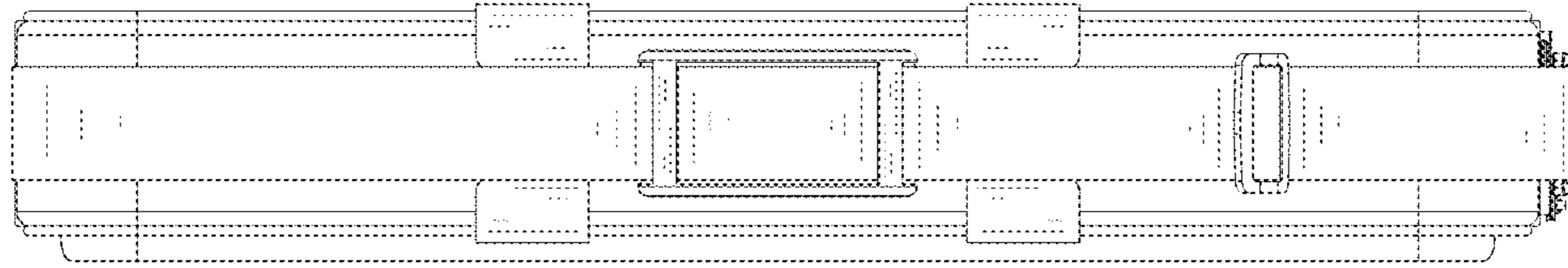


FIG. 7

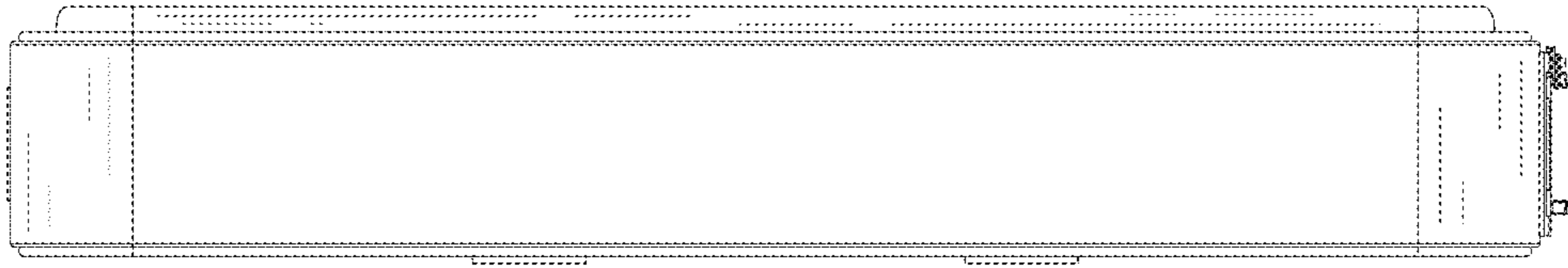


FIG. 8

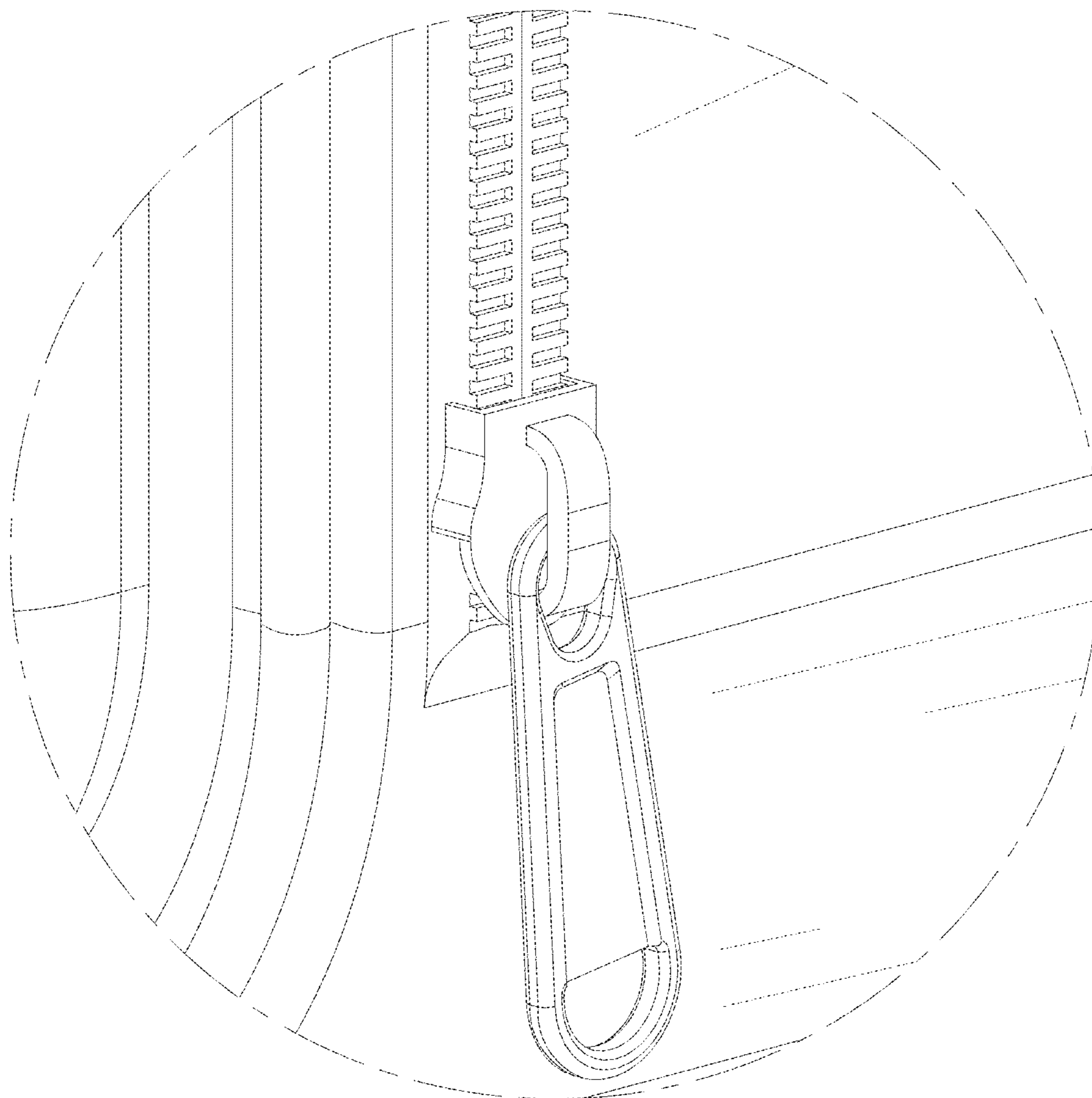


FIG. 9

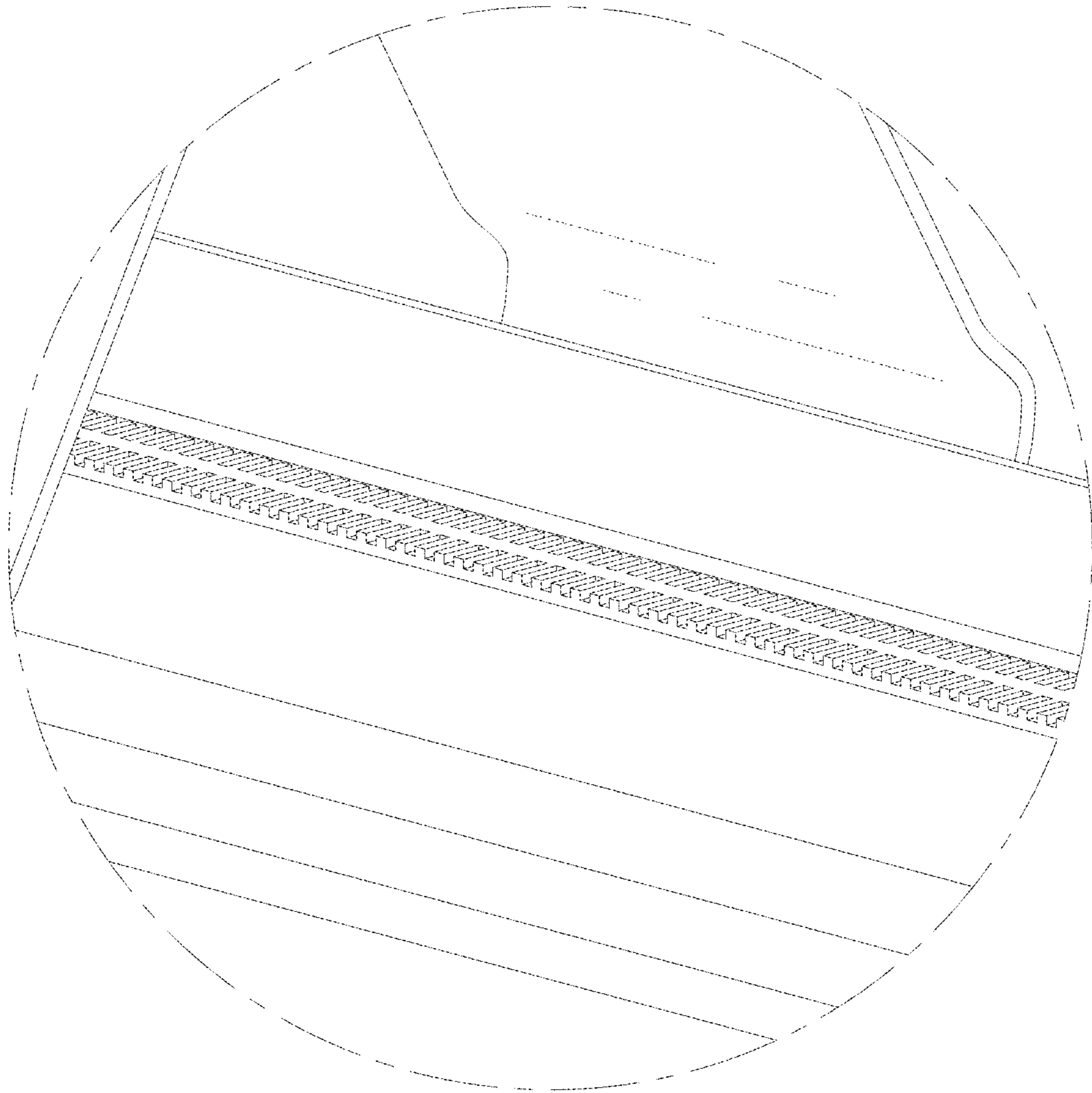


FIG. 10