



US00D986590S

(12) **United States Design Patent**
Zheng

(10) **Patent No.:** **US D986,590 S**

(45) **Date of Patent:** **** May 23, 2023**

(54) **SCHOOL BAG**

(71) Applicant: **Guangzhou Qingtai Internet Technology Co., Ltd.**, Guangzhou (CN)

(72) Inventor: **Jiaxin Zheng**, Guangzhou (CN)

(73) Assignee: **Guangzhou Qingtai Internet Technology Co., Ltd.**, Guangzhou (CN)

(**) Term: **15 Years**

(21) Appl. No.: **29/848,696**

(22) Filed: **Aug. 4, 2022**

(51) **LOC (14) Cl.** **03-01**

(52) **U.S. Cl.**
USPC **D3/217**

(58) **Field of Classification Search**

USPC D3/231-233, 243-246, 249-253, 263, D3/294, 318, 905, 217, 289, 279, 276, D3/273, 218, 282, 247, 301, 201, 283, D3/303, 216, 255, 295, 274, 265, 900, D3/302, 304, 287, 284, 299, 254, 290, D3/226, 321, 903, 203.1, 205, 281, 269, D3/267, 320, 262, 901, 260, 319, 206, D3/272, 315, 285, 291, 215, 204, 238, D3/292, 327, 268, 270, 264, 278, 203.3, D3/313, 212, 902, 234, 307, 297, 323, D3/202, 203.2, 314, 219, 221, 298, 261, D3/328, 904, 288, 312, 230, 300, 271.2, D3/228, 286, 208, 266, 229, 256, 296, D3/293, 275, 305, 306, 20, 271.4, 248, D3/257, 310, 203.5, 235, 258, 271.1, 308, D3/11, 271.5, 309, 311, 317, 324, 271.3, D3/322, 203.6, 224, 214; 190/18 A, 115, 190/109, 110, 127, 111, 107, 102, 108, 190/103, 119, 903, 18 R, 124, 1, 125, 11, 190/122, 902, 39, 113, 100, 112, 126, 8, 190/2, 16, 901, 28, 121, 101, 106, 120,

190/900, 12 R, 37, 117, 26, 105, 13 R, 190/24, 116, 15.1, 36, 123, 118, 17, 104, 190/21, 12 A, 30, 13 F, 9, 22, 40, 19, 35;
(Continued)

(56) **References Cited**

U.S. PATENT DOCUMENTS

D506,607 S 6/2005 Fonfeder
D506,864 S 7/2005 Fonfeder
(Continued)

OTHER PUBLICATIONS

Kids backpack girls Backpacks elementary Bookbags Middle School bags Women Casual Daypack Send pendant (Purple), review date: May 23, 2022 [site visited Oct. 20, 2022] <https://www.amazon.com/backpack-Backpacks-elementary-Bookbags-Daypack/dp/B09XK9RPLG> (Year: 2022).*

(Continued)

Primary Examiner — Dana K Weiland
Assistant Examiner — Andrea Marie McKay
(74) *Attorney, Agent, or Firm* — Jeenam Park

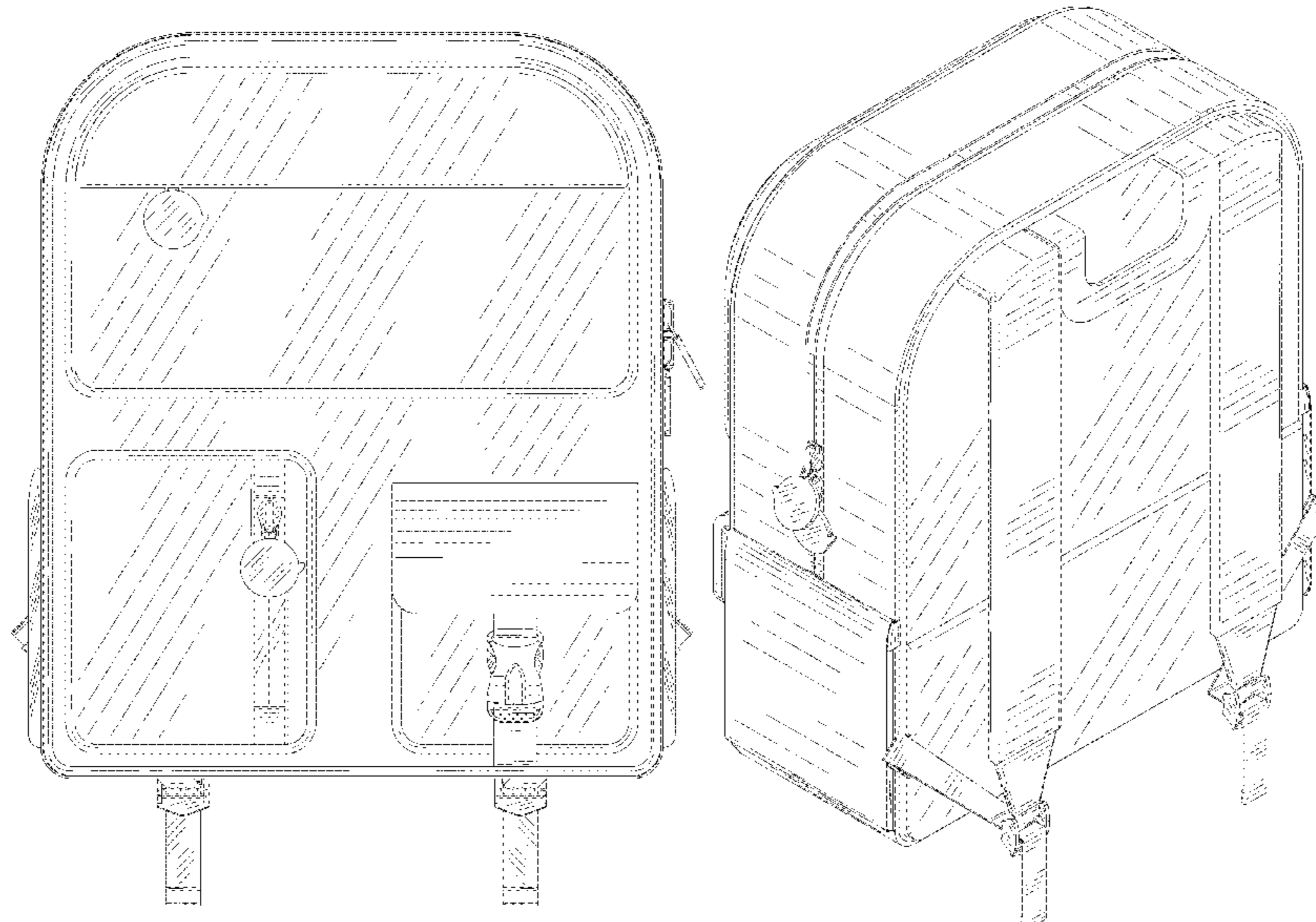
(57) **CLAIM**

The ornamental design for a school bag, as shown and described.

DESCRIPTION

FIG. 1. is a front view of a school bag, showing my new design;
FIG. 2 is a rear view thereof;
FIG. 3 is a left side view thereof;
FIG. 4 is a right side view thereof;
FIG. 5 is a top plan view thereof; and
FIG. 6 is a bottom plan view thereof.
FIG. 7 is a perspective view thereof; and,
FIG. 8 is another perspective view thereof.

1 Claim, 8 Drawing Sheets



(58) Field of Classification Search

USPC D9/432, 434, 418, 433, 703, 415, 423, D9/707, 643, 420, 430, 709, 721, 424, D9/431, 414, 705, 702, 425, 435, 706, D9/456, 704, 416, 428, 455, 443, 600, D9/422, 624, 529, 711, 629, 734, 756, D9/504, 708, 737, 658, 449, 421, 426, D9/575, 635, 447, 757, 503; 224/153, 224/404, 576, 627, 637, 645, 275, 413, 224/191, 539, 155, 652, 628, 653, 542, 224/543, 579, 328, 401, 259, 578, 581, 224/644, 274, 257, 930, 643, 321, 666, 224/633, 42.34, 572, 240, 326, 577, 610, 224/585, 600, 563, 282, 679, 250, 264, 224/430, 629, 657, 901.4, 583, 262, 311, 224/325, 42.32, 483, 222, 235, 309, 435, 224/557, 236, 269, 324, 427, 547, 580, 224/281, 417, 651, 553, 631, 431, 463, 224/908, 403, 674, 913, 575, 650, 156, 224/634, 920, 439, 524, 617, 448, 607, 224/613, 677, 901.8, 319, 584, 660, 681, 224/925, 42.13, 148.2, 245, 497, 635, 224/219, 42.36, 566, 642, 510, 329, 425, 224/527, 544, 614, 616, 241, 261, 424, 224/630, 682, 901.6, 926, 402, 526, 528, 224/558, 625, 675, 452, 641, 655, 919, 224/314, 315, 407, 42.39, 450, 604, 904, 224/922, 199, 518, 928, 438, 549, 664, 224/164, 420, 484, 487, 534, 582, 601, 224/917.5, 162, 197, 419, 422, 540, 647, 224/400, 418, 423, 489, 507, 554, 560, 224/907, 916, 929, 159, 331, 411, 567, 224/587, 654, 673, 680, 154, 316, 318, 224/605, 608, 638, 683, 148.7, 268, 224/42.33, 426, 498, 500, 513, 618, 640, 224/665, 917, 918, 160, 223, 258, 277, 224/429, 508, 541, 656, 901.2, 148.4, 224/148.5, 218, 312, 409, 42.11, 42.21, 224/486, 488, 514, 571, 915, 183, 242, 224/260, 310, 330, 406, 421, 445, 482, 224/495, 515, 519, 586, 609, 646, 516, 224/529, 622, 667, 158, 217, 267, 270, 224/433, 506, 509, 511, 538, 632, 636, 224/676, 148.3, 196, 221, 322, 327, 405, 224/42.24, 42.4, 437, 496, 499, 504, 512, 224/532, 564, 602, 612, 668, 237, 251, 224/278, 410, 42.12, 440, 449, 453, 505, 224/517, 521, 525, 545, 568, 934; 150/106, 117, 147, 112, 159, 113, 154, 150/123, 107, 110, 143, 132, 134, 138, 150/108, 105, 111, 118, 145, 131, 129, 150/149, 127, 126, 137, 139, 103, 102, 150/133, 136, 120, 104, 116, 115, 101, 150/125, 130, 900, 146, 119, 148, 114, 150/160, 142, 128, 140, 141, 100, 165; 223/107, 85, 84, 66

CPC A45C 11/12; A45C 11/10; A45C 11/16; A45C 11/00; A45C 13/02; A45C 5/14; A45C 2011/002; A45C 2011/003; A45C 15/00; A45C 9/00; A45C 13/262; A45C 3/00; A45C 5/03; A45C 13/103; A45C 13/30; A45C 13/26; A45C 11/20; A45C 1/06; A45C 2013/026; A45C 3/001; A45C 2013/025; A45C 3/02; A45C 2200/15; A45C 5/02; A45C 13/36; A45C

2011/001; A45C 5/00; A45C 3/06; A45C 2013/267; A45C 7/0077; A45C 13/04; A45C 13/005; A45C 13/002; A45C 11/182; A45C 13/008; A45C 5/06; A45C 13/10; A45C 11/24; A45C 11/04; A45C 3/04; A45C 13/03; A45C 13/001; A45C 13/18; A45C 15/06; A45C 13/28; A45C 7/0045; A45C 11/38; A45C 7/0086; A45C 13/1069; A45C 2003/007; A45C 3/004; A45C 7/0036; A45C 2005/037; A45C 13/385; A45C 2013/306; A45C 11/005; A45C 13/00; A45C 7/0095; A45C 2200/10; A45C 2009/007; A45C 11/008; A45C 5/146; A45C 13/08; A45C 13/42; A45C 2011/007; A45C 13/06; A45C 7/0063; A45C 2013/1015; A45C 11/323; A45C 2001/065; A45C 13/1046; A45C 7/0022; A45C 11/34; A45C 13/1076; A45C 13/1084; A45C 3/10; A45C 11/18; A45C 5/143; A45C 2003/008; A45C 2005/148; A45C 13/20; A45C 5/005; A45C 3/12; A45C 11/22; A45C 2005/035; A45C 7/0054; A45C 1/04; A45C 2009/002; A45C 7/0031; A45C 2003/002; A45C 13/185; A45C 2007/0004; A45C 13/24; A45C 7/0068; A45C 11/02; A45C 13/34; A45C 2001/067; A45C 3/08; A45C 1/02; A45C 11/32; A45C 7/009; A45C 7/0059; A45C 2013/265; A45C 7/0027; A45C 11/321; A45C 11/324; A45C 2001/062; A45C 7/005; A45C 2011/186; A45C 11/26; A45C 1/12; A45C 2009/005; A45C 5/04; A45C 13/22; A45C 7/00; A45C 13/1092; A45C 1/08; A45C 5/08; A45C 13/004; A45C 2200/20; A45C 13/021; A45C 13/38; A45C 13/40; A45C 2011/188; A45C 15/04; A45C 13/1023; A45C 2003/005; A45C 5/145; A45C 2200/00; A45C 7/0081; A45C 11/36; A45C 2007/0013; A45C 13/023; A45C 2200/05; A45F 3/04; A45F 3/02; A45F 5/00; A45F 4/02; A45F 2003/003; A45F 3/047; A45F 2200/0516; A45F 5/021; A45F 3/14; A45F 3/08; A45F 2003/045; A45F 5/02; A45F 2005/008; A45F 2200/0525; A45F 2005/006; A45F 2003/001; A45F 3/12; A45F 3/005; A45F 2003/142; A45F 3/10; A45F 3/00; A45F 2004/026; A45F 4/12; A45F 4/06; A45F 5/1026; A45F 3/06; A45F 5/10; A45F 2200/0575; A45F 2003/146; A45F 3/042; A45F 2003/122; A45F 3/20; A45F 5/1046; A45F 2005/1073; A45F 2005/002; A45F 2200/0508; A45F 2200/0583; A45F 3/16; A45F 2004/023; A45F 2003/166; A45F 2200/0566; A45F 2003/144; A45F 2005/1033; A45F 2200/0541; A45F 2003/002; A45F 4/00; A45F 3/46; A45F 5/004; A45F 2003/127; A45F 2003/125; A45F 2200/05; A45F 2200/0591; A45F 2200/0533; A45F 4/04

See application file for complete search history.

(56)

References Cited

U.S. PATENT DOCUMENTS

D702,434 S * 4/2014 Chalk A45F 3/04
 D3/217
 D765,395 S * 9/2016 Sanz D3/245
 D787,816 S * 5/2017 Slimane D3/217
 D802,295 S * 11/2017 Wu D3/217
 D816,990 S * 5/2018 Naito D3/267
 D861,329 S * 10/2019 Wei D3/217
 D879,464 S * 3/2020 Vario, Jr. D3/217
 D880,147 S * 4/2020 Sanz D3/217
 D880,845 S * 4/2020 Sanz D3/217
 D896,505 S * 9/2020 Yuan D3/217
 D923,327 S * 6/2021 Wen D3/217
 D931,600 S * 9/2021 Huang D3/217
 D937,568 S * 12/2021 Lei D3/217
 D940,452 S * 1/2022 Bi D3/217
 D944,515 S * 3/2022 Ji D3/217
 D947,525 S * 4/2022 Liao D3/217
 D953,735 S * 6/2022 Wilcox D3/217
 D954,428 S * 6/2022 Zhou D3/217

D954,429 S * 6/2022 Chen D3/217
 D956,411 S * 7/2022 Jin D3/217
 D957,117 S * 7/2022 Wilcox D3/217
 D957,809 S * 7/2022 Rockefeller D3/217
 D969,478 S * 11/2022 Zhao D3/216
 D973,350 S * 12/2022 Yi D3/217

OTHER PUBLICATIONS

Lisinuo Backpack for Girls Kids Schoolbag Children Bookbag Women Casual Daypack (Pink), review date: Jul. 18, 2022 [site visited Nov. 2, 2022] https://www.amazon.com/dp/B0B2346XZC/ref=sspa_dk_detail_0?pd_rd_i=B0B2346XZC&pd_rd_w=fqVsF&content-id=amzn1.sym.bff6e147-54ad-4be3-b4ea-ec19ea6167f7&pf_rd_p=bf6e147-54ad-4be3-b4ea-ec19ea6167f7&pf_rd_r=R3PJNA3S9B6SR9FCYQKM&pd_rd_wg=OA3sl&pd_rd_r=3c5b3c6a-52a8-4585-9a77-d451c59dbb76&s=generic&sp_csd=d2lkZ2V0TmFtZT1zcF9kZXRhaWwy&th=1 (Year: 2022).*

* cited by examiner



FIG. 1



FIG. 2

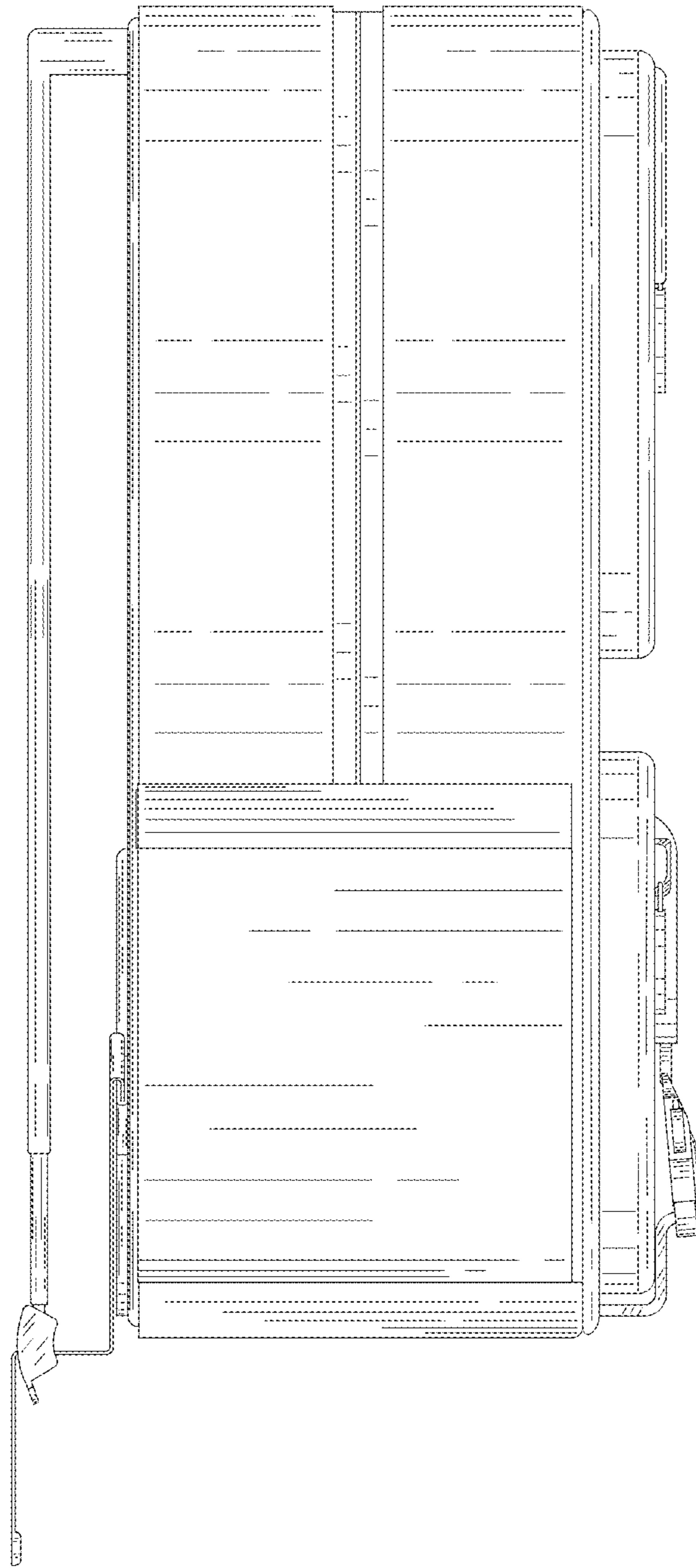


FIG. 3

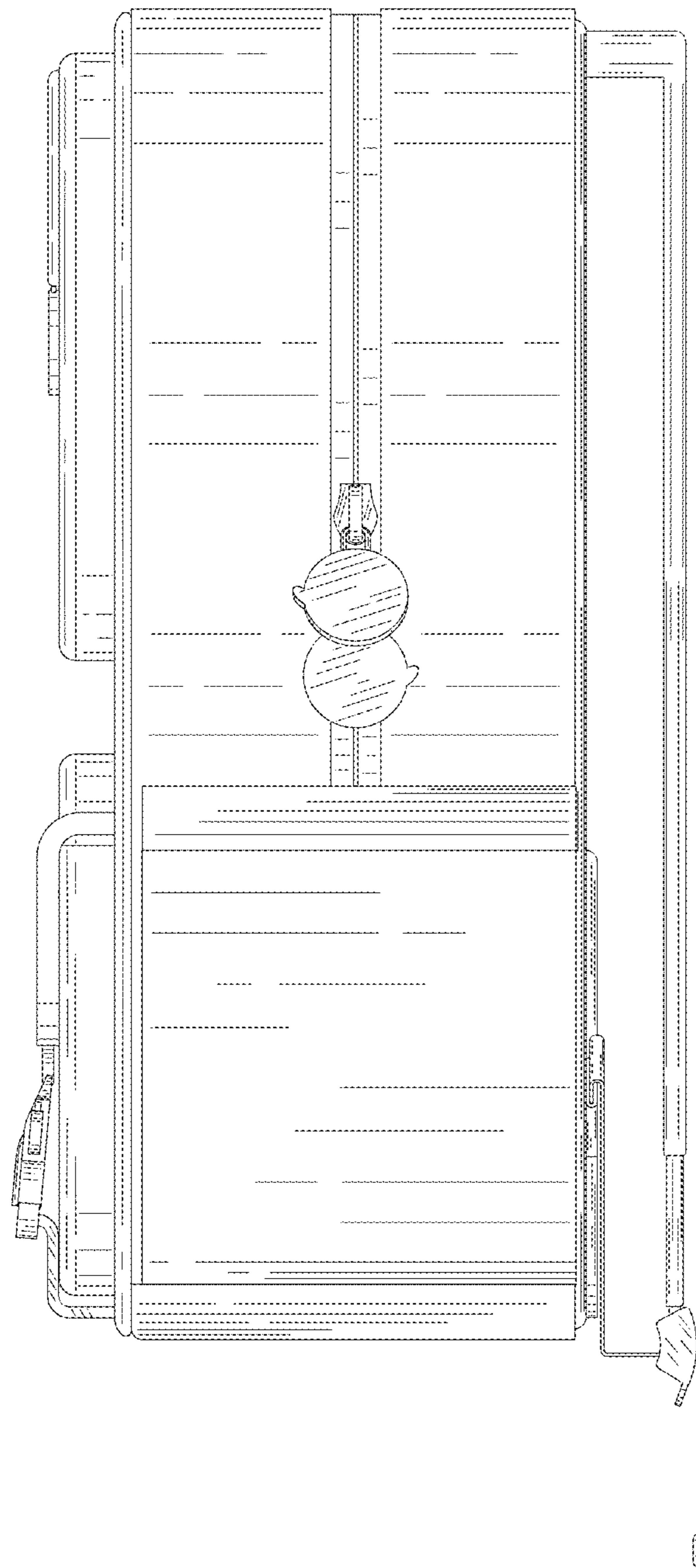


FIG. 4

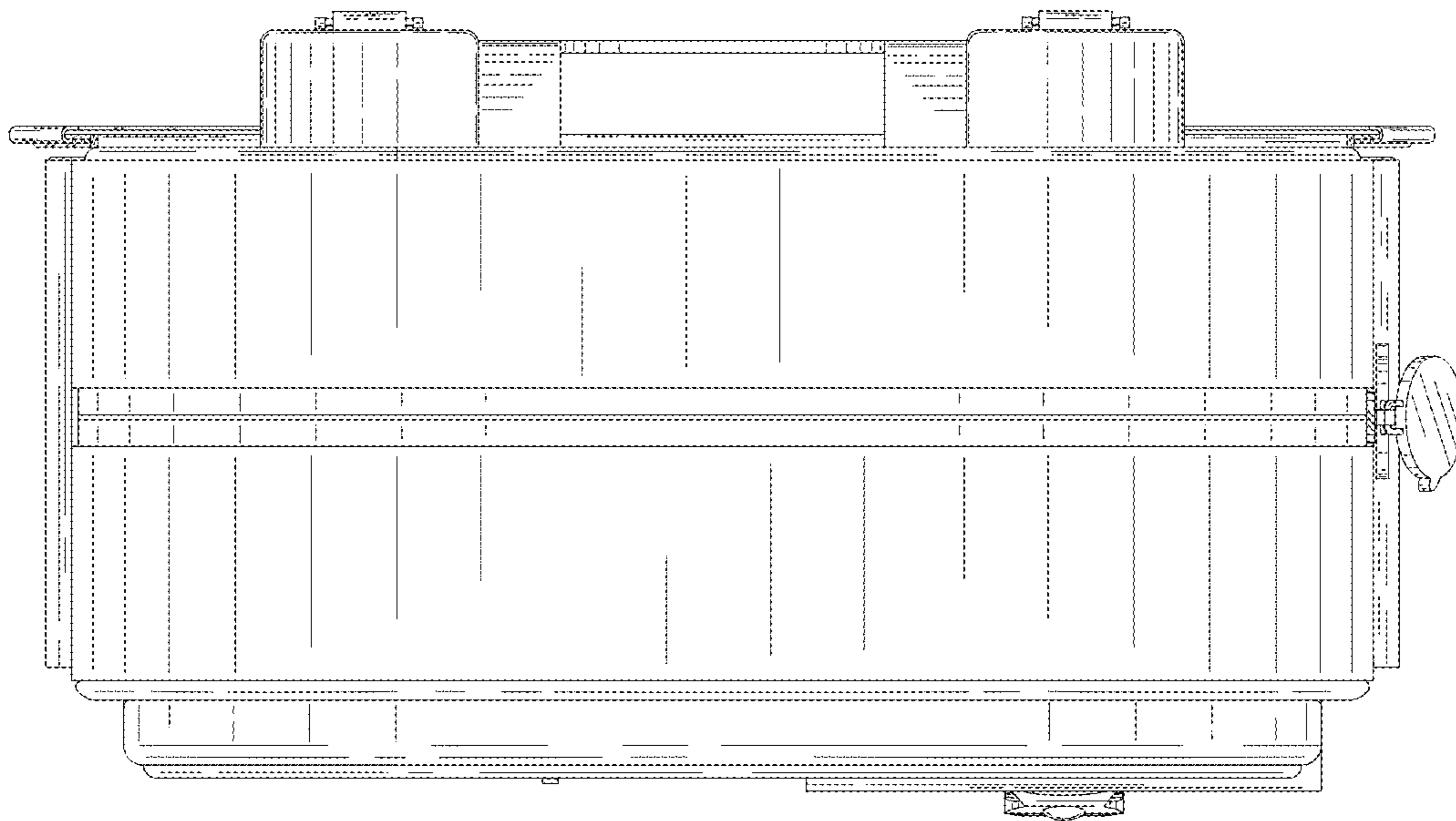


FIG. 5

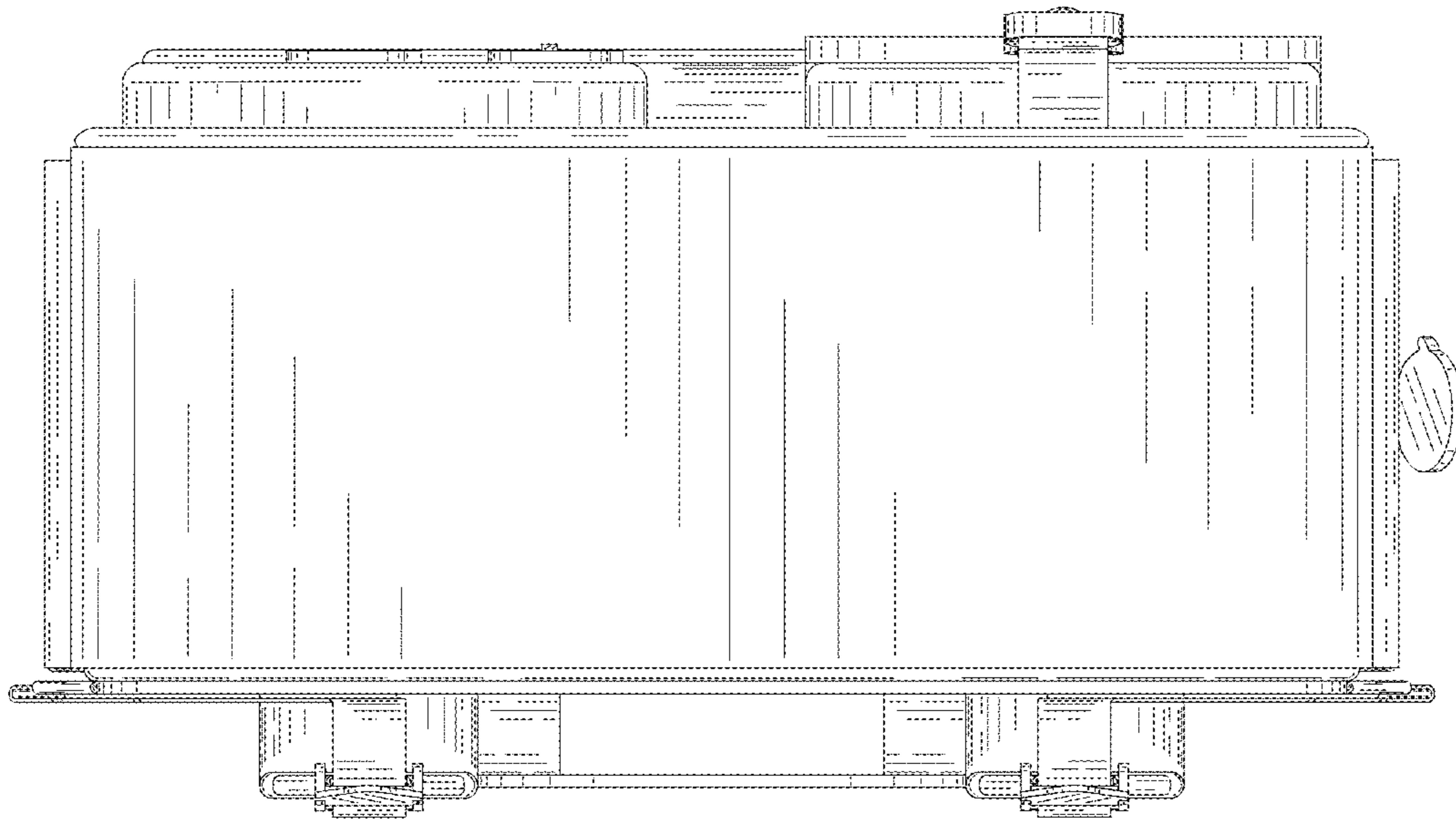


FIG. 6

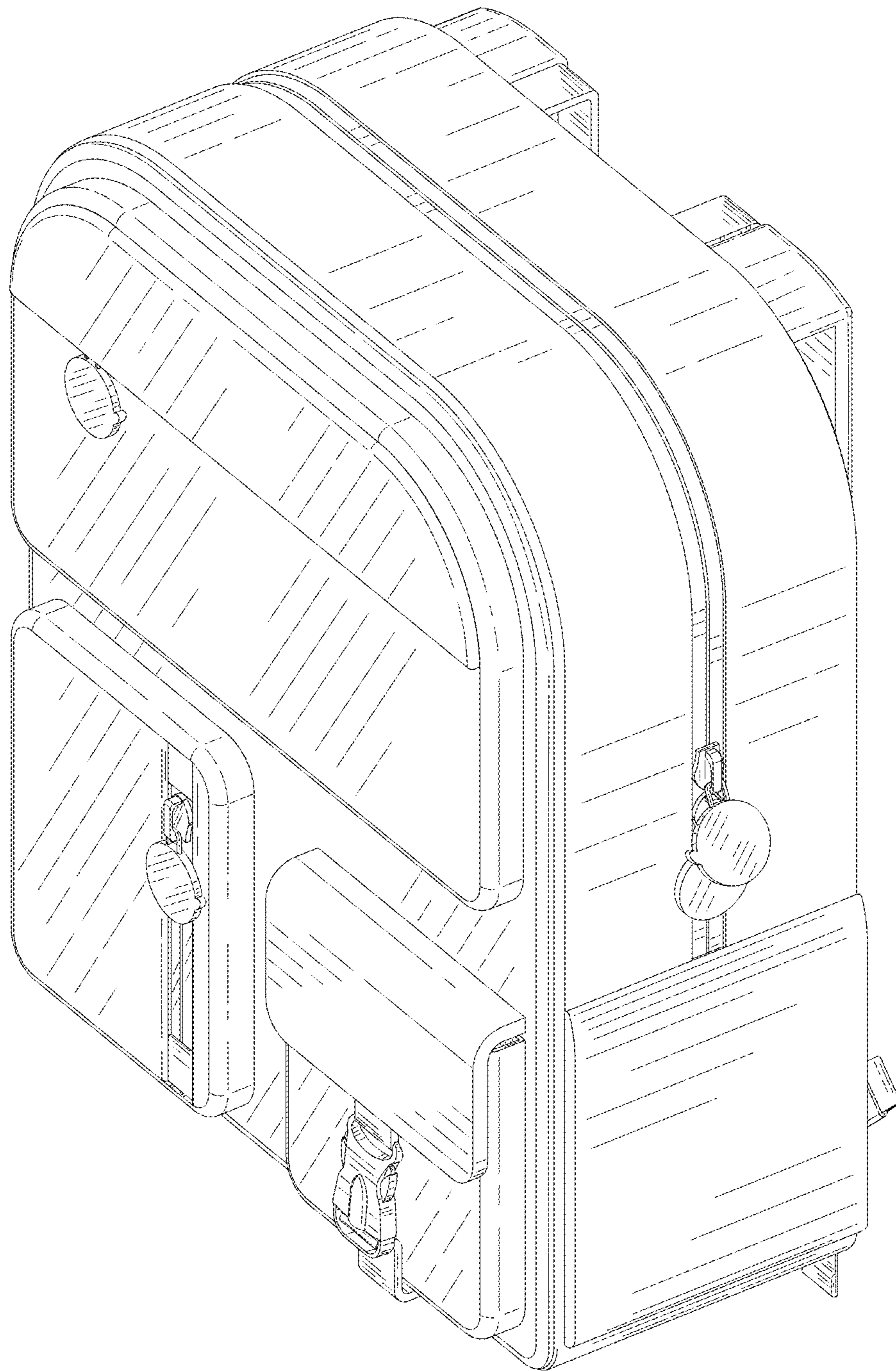


FIG. 7

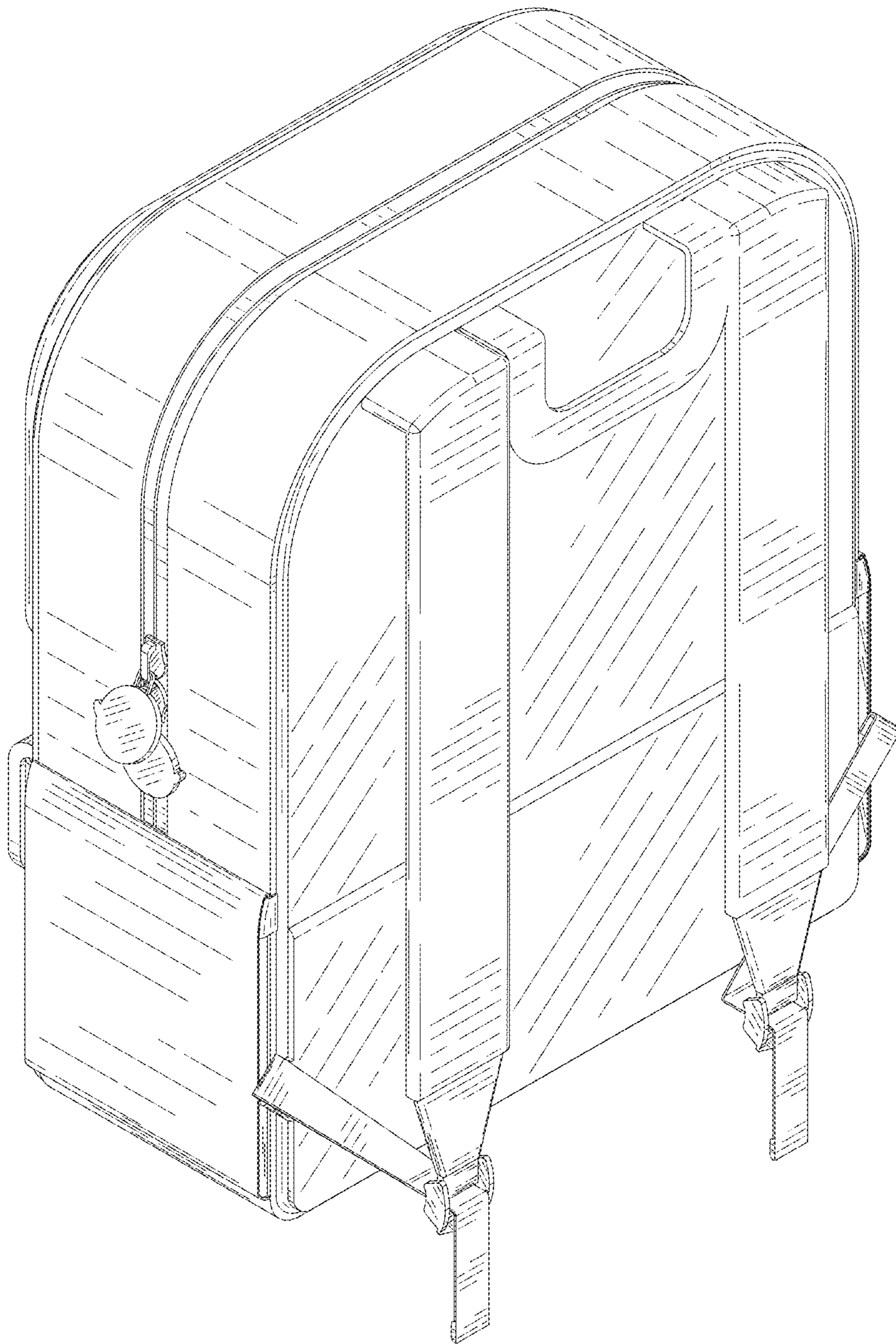


FIG. 8