



US00D986586S

(12) **United States Design Patent**
Hong

(10) **Patent No.:** **US D986,586 S**

(45) **Date of Patent:** **** May 23, 2023**

(54) **MAKEUP BRUSH HOLDER**

FOREIGN PATENT DOCUMENTS

(71) Applicant: **Hui Hong**, Jiujiang (CN)

EP 4137003 A1 * 2/2023 A46B 17/04

(72) Inventor: **Hui Hong**, Jiujiang (CN)

OTHER PUBLICATIONS

(**) Term: **15 Years**

JDZJUCHU Travel Makeup Brush Holder, www.amazon.com, 1 page, reviewed as early as Nov. 2022 (Year: 2022).*

(21) Appl. No.: **29/857,677**

* cited by examiner

(22) Filed: **Oct. 25, 2022**

Primary Examiner — Jennifer Rivard

(30) **Foreign Application Priority Data**

(74) *Attorney, Agent, or Firm* — Daniel M. Cohn;
Howard M. Cohn

Sep. 29, 2022 (CN) 202230646712.6

(51) **LOC (14) Cl.** **03-01**

(57) **CLAIM**

(52) **U.S. Cl.**

The ornamental design for a makeup brush holder, as shown and described.

USPC **D3/205**; D28/73

(58) **Field of Classification Search**

DESCRIPTION

USPC D3/203.5, 205, 206, 303, 301; D28/73,
D28/9, 76

CPC .. A45D 6/02; A45D 29/18–20; A45D 33/005;
A45D 2040/0006; A45D 44/18; A45D
2200/25; A45C 11/008; A45C 5/005

See application file for complete search history.

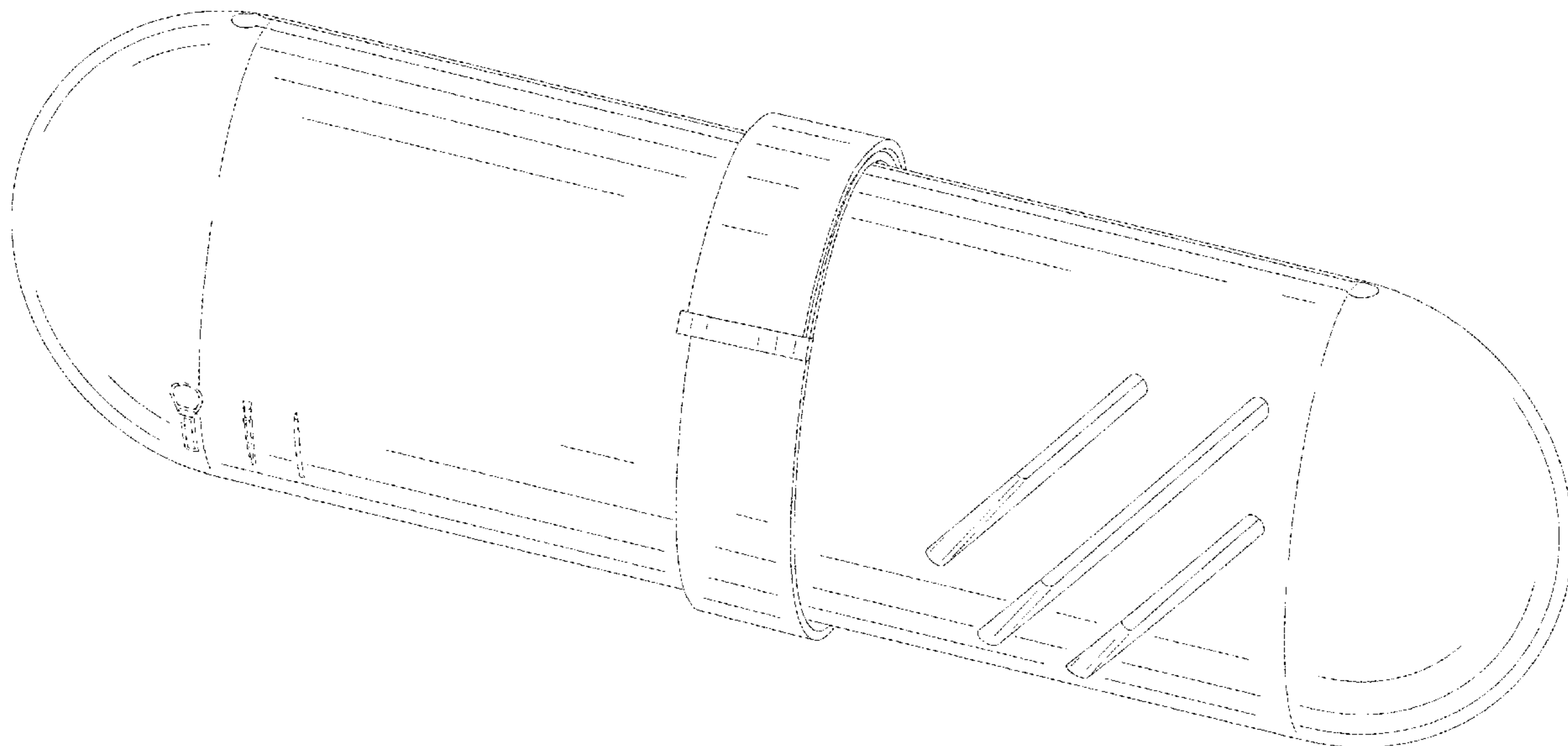
FIG. 1 is a perspective view of a makeup brush holder showing my new design;
FIG. 2 is another perspective view thereof;
FIG. 3 is a front elevational view thereof;
FIG. 4 is a rear elevational view thereof;
FIG. 5 is a left side elevational view thereof;
FIG. 6 is a right side elevational view thereof;
FIG. 7 is a top plan view thereof;
FIG. 8 is a bottom plan view thereof; and,
FIG. 9 is a perspective view of the makeup brush holder where the makeup brush holder is in a configuration of use. The broken lines in the drawings depict portions of the makeup brush holder that form no part of the claimed design.

(56) **References Cited**

U.S. PATENT DOCUMENTS

D793,717 S	8/2017	Boljat	
D884,280 S	5/2020	Pellereau et al.	
D927,784 S *	8/2021	Kim	D28/73
D928,410 S *	8/2021	Kim	D28/73
D949,550 S *	4/2022	Ramm	D3/205
D959,131 S *	8/2022	Zhang	D3/205
2013/0312784 A1 *	11/2013	Greiner	A61K 31/7016 132/317
2019/0231050 A1 *	8/2019	Soffer	A45C 11/008

1 Claim, 9 Drawing Sheets



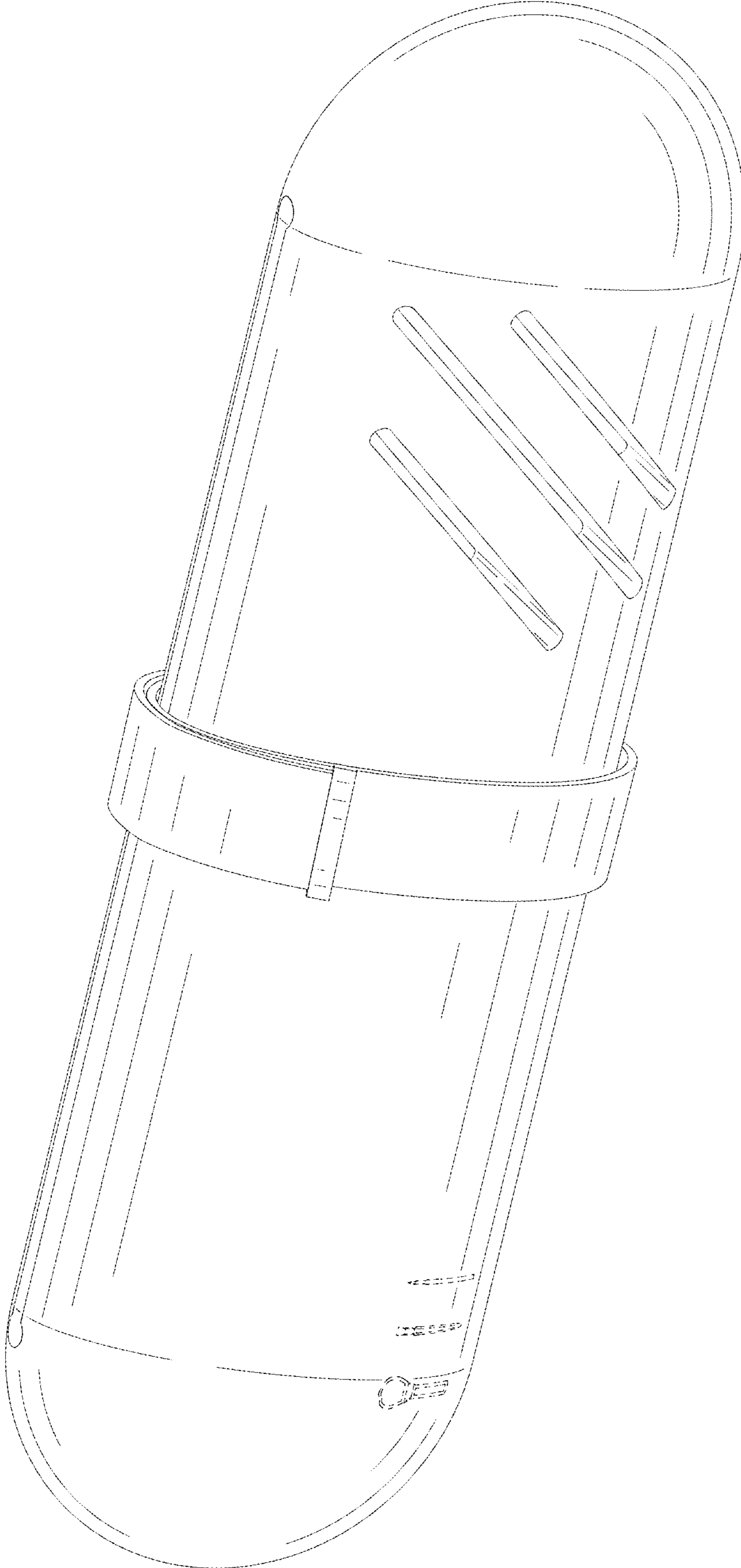


FIG. 1

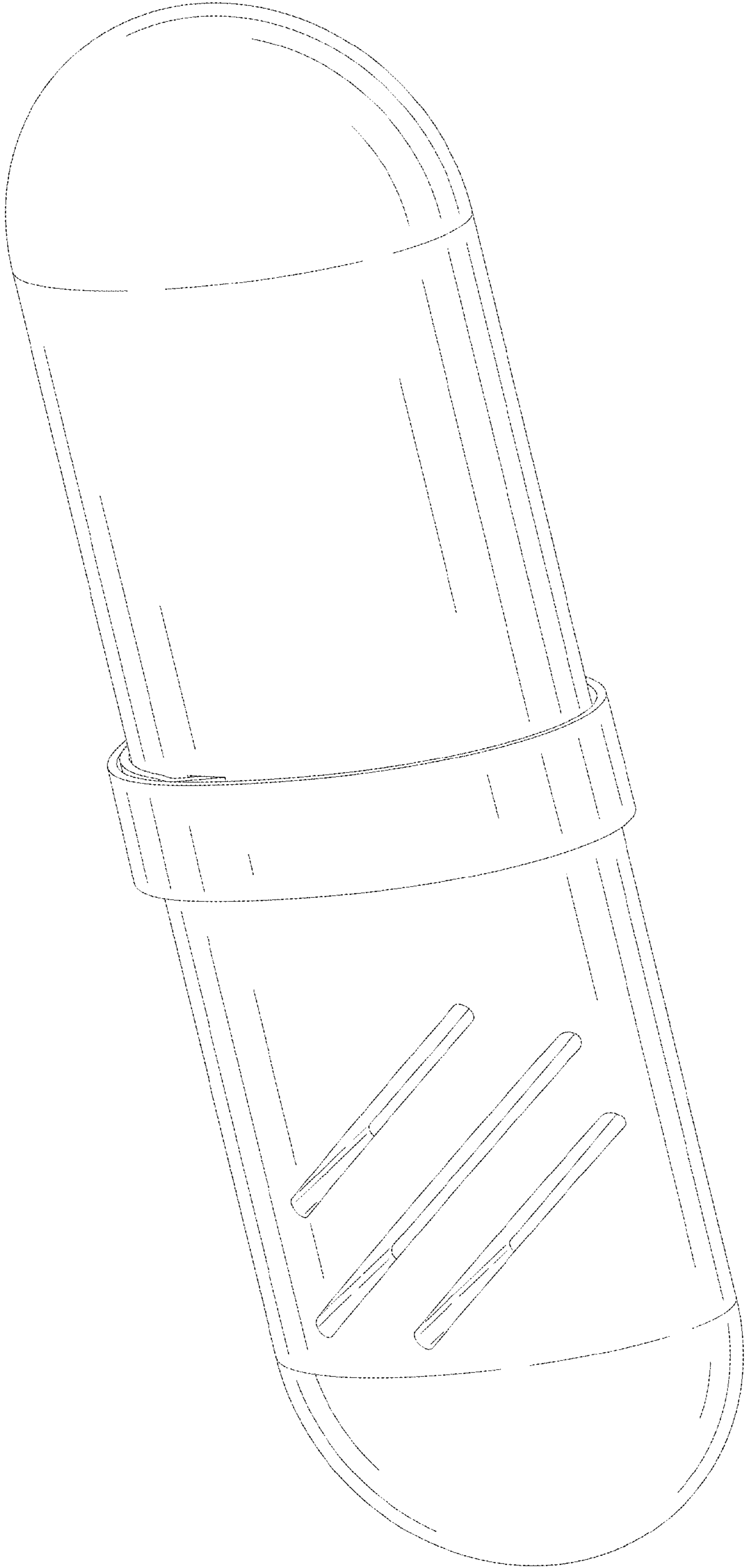


FIG. 2

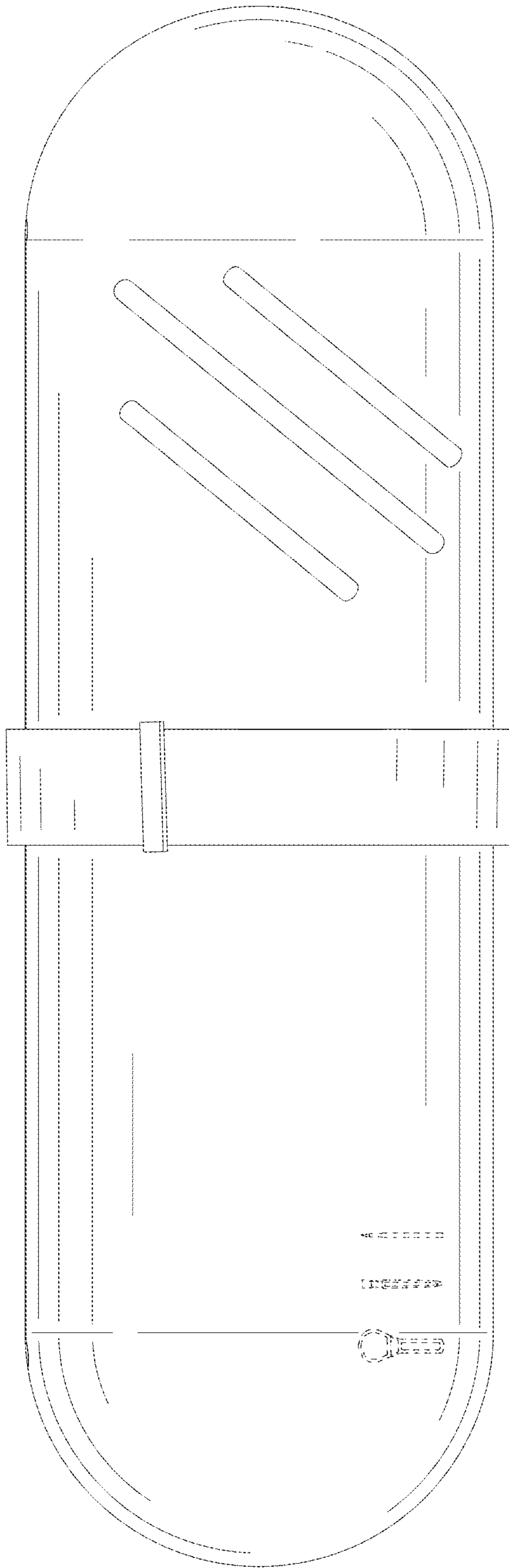


FIG. 3

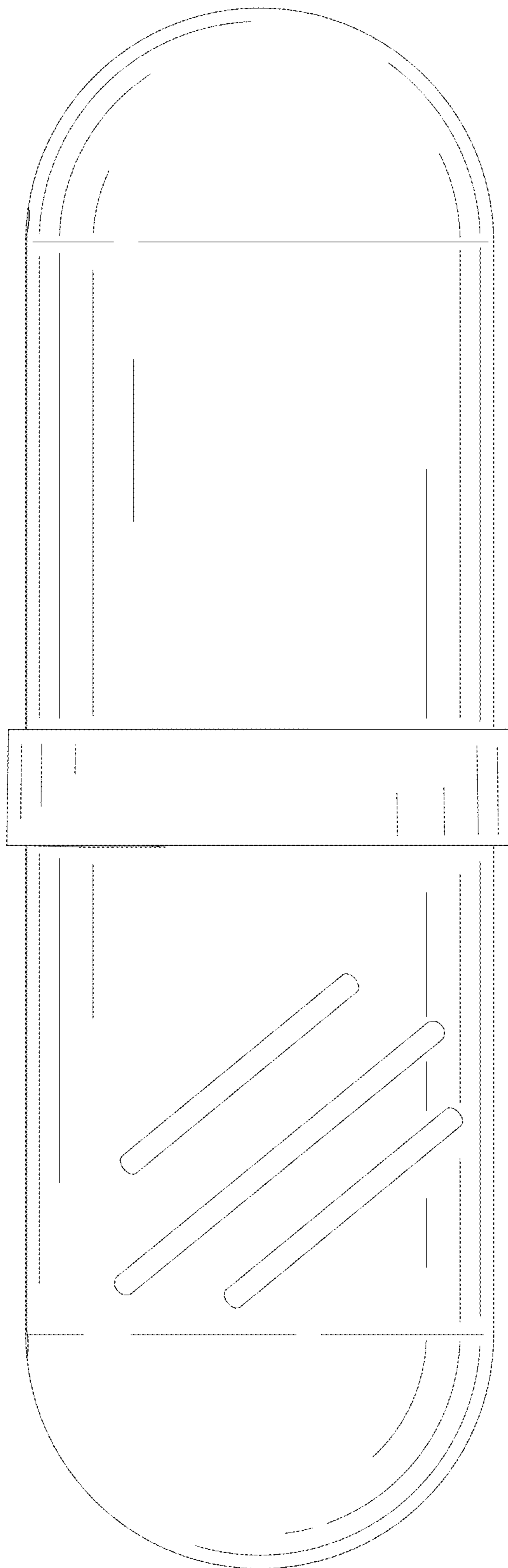


FIG. 4

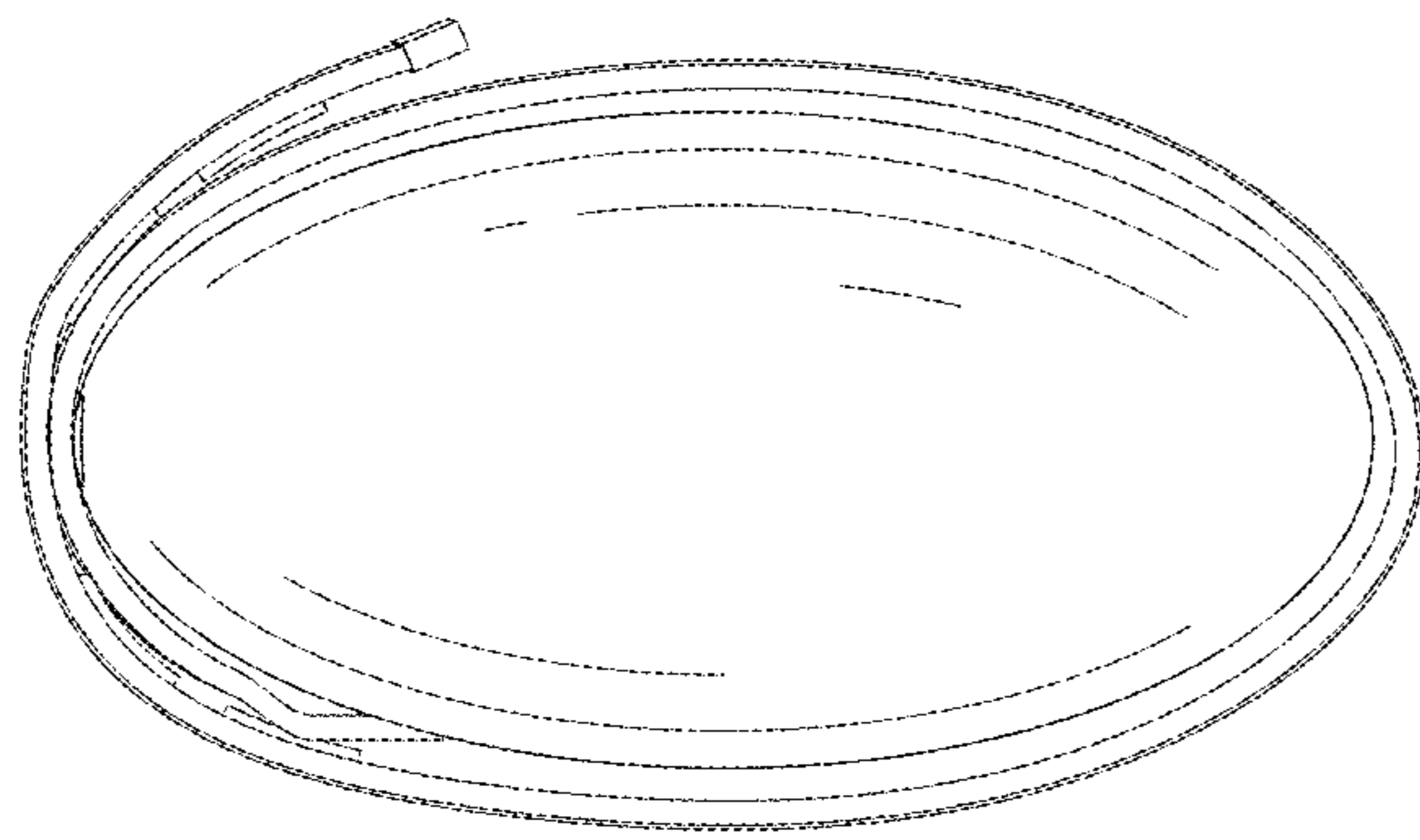


FIG. 5

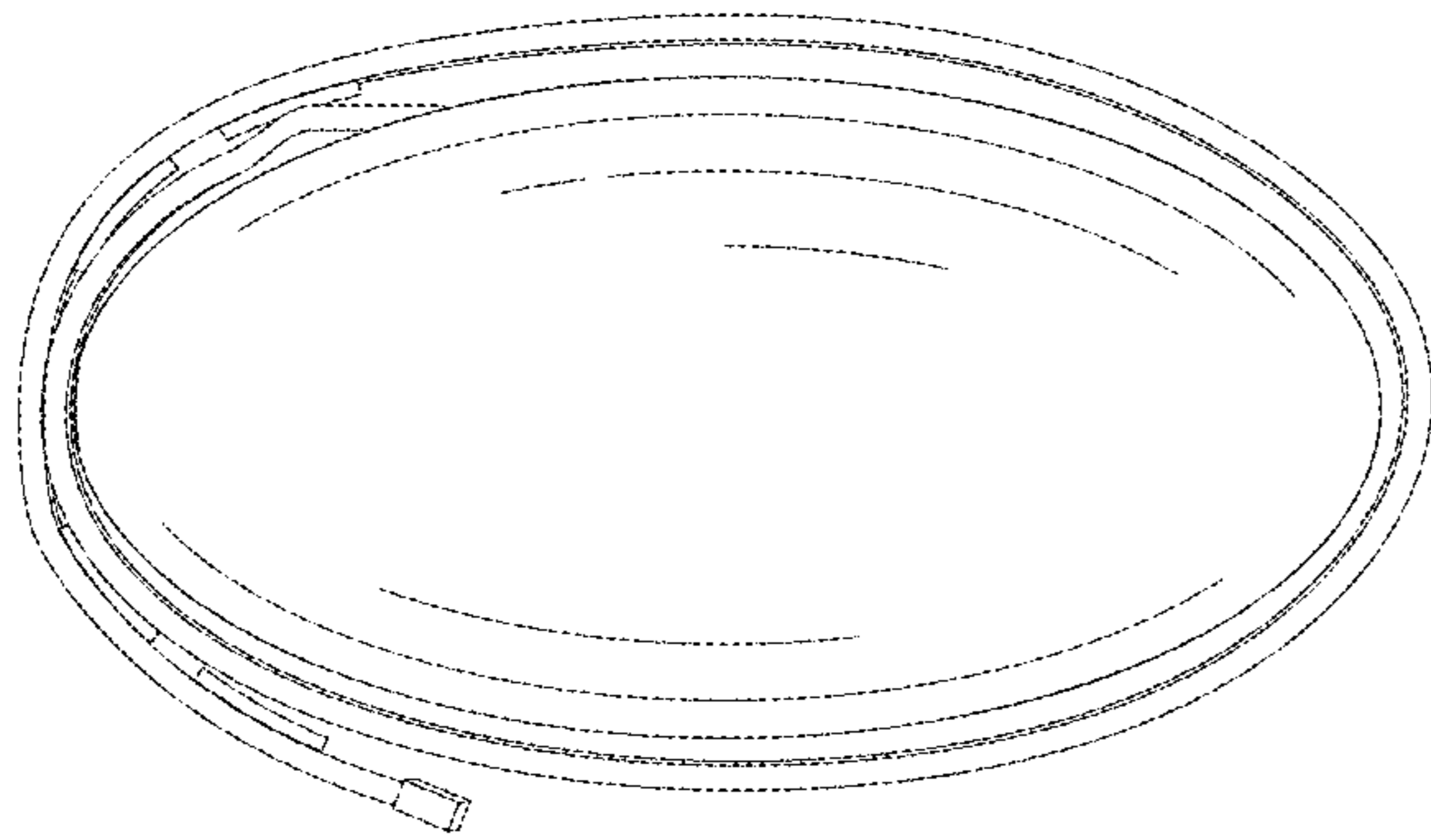


FIG. 6

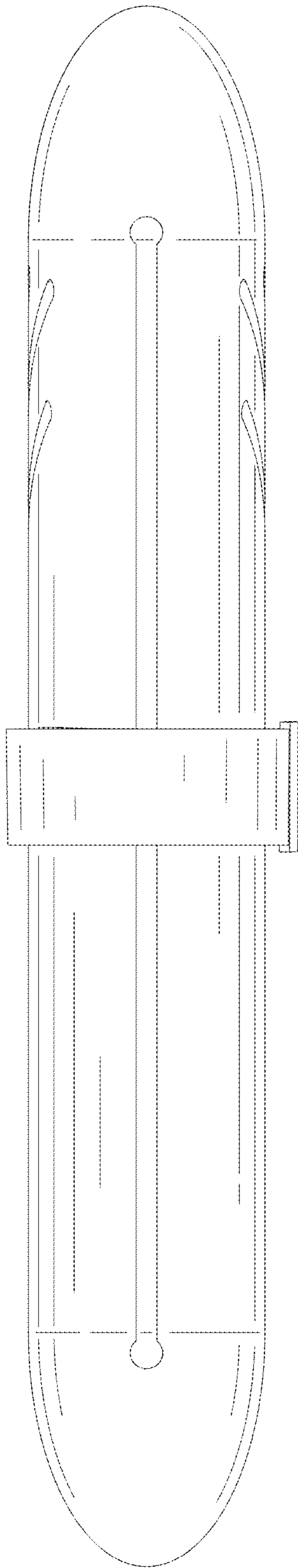


FIG. 7

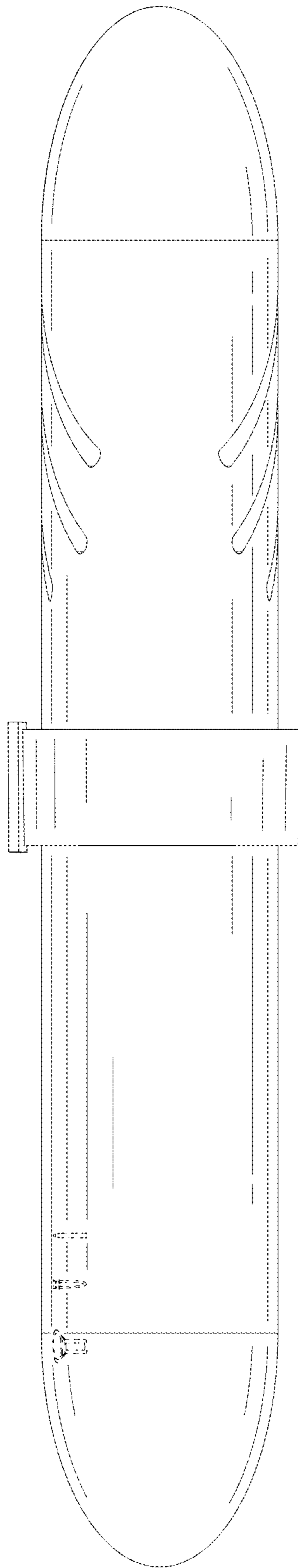


FIG. 8

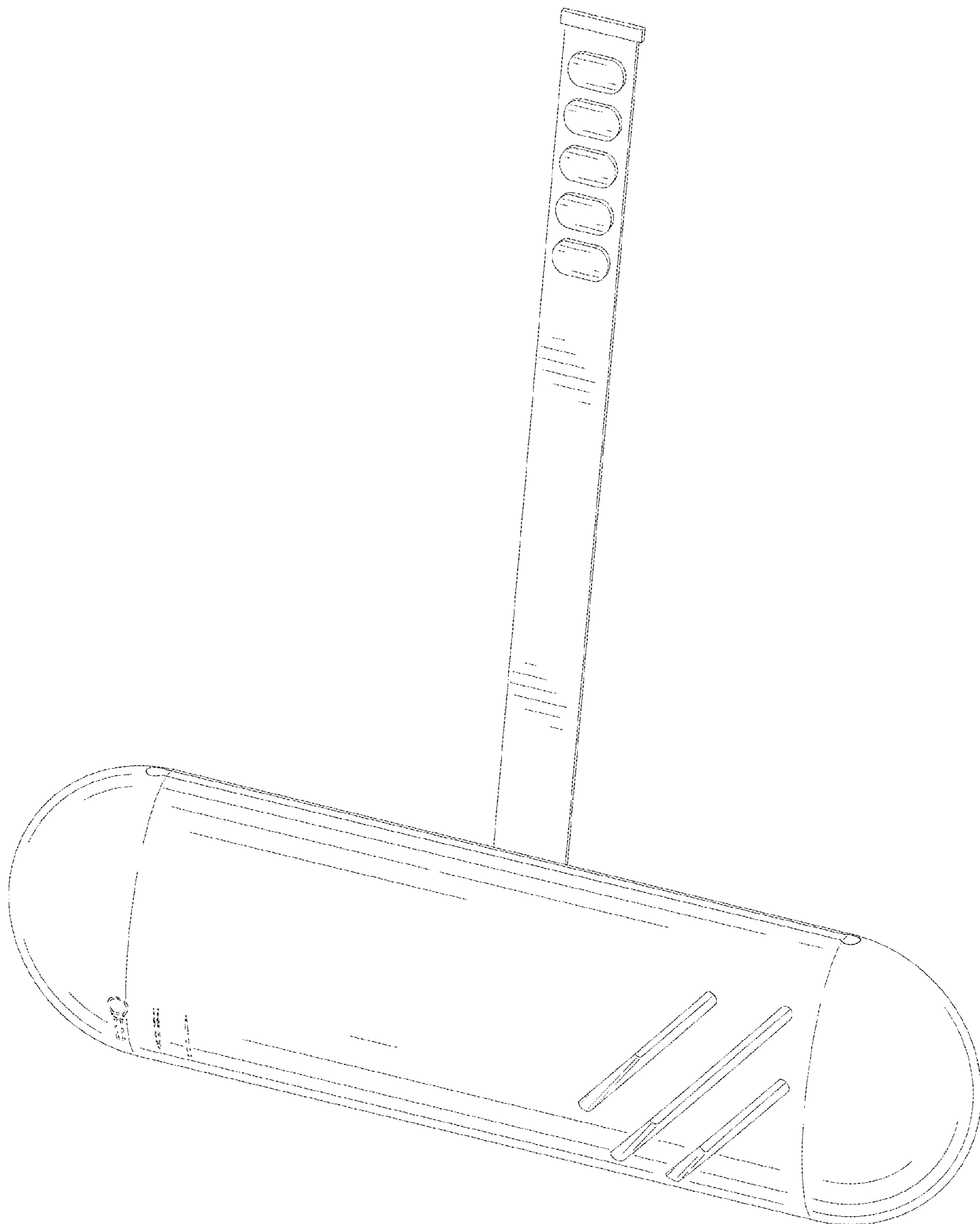


FIG. 9