



US00D986584S

(12) **United States Design Patent** (10) **Patent No.:** **US D986,584 S**  
**McGarry et al.** (45) **Date of Patent:** **\*\* May 23, 2023**

(54) **SHAVING RAZOR CONTAINER**  
(71) Applicant: **The Gillette Company LLC**, Boston, MA (US)  
(72) Inventors: **Rory Frederick Wellington McGarry**, Boston, MA (US); **Christopher Ramm**, North Attleboro, MA (US); **Brian Patrick Watson**, Marshfield, MA (US); **Oliver Felix Grabes**, Kronberg (DE)  
(73) Assignee: **The Gillette Company LLC**, Boston, MA (US)

D846,264 S 4/2019 Wu  
D883,802 S 5/2020 Meech et al.  
D895,268 S \* 9/2020 Goeder ..... D3/205  
D895,960 S \* 9/2020 Goeder ..... D3/205  
D908,960 S \* 1/2021 Ramm ..... D3/205  
2003/0101525 A1\* 6/2003 Belloli ..... A45D 27/22  
15/160  
2003/0209457 A1\* 11/2003 Coffin ..... B26B 21/4037  
206/352  
2005/0218033 A1\* 10/2005 Curtis ..... A45D 27/22  
190/110  
2011/0119923 A1\* 5/2011 Nicoll ..... A45D 27/22  
30/526  
2015/0047481 A1\* 2/2015 Nicoll ..... B26B 21/4018  
83/22

(\*\*) Term: **15 Years**

(21) Appl. No.: **29/738,123**  
(22) Filed: **Jun. 15, 2020**  
(51) **LOC (14) Cl.** ..... **03-02**  
(52) **U.S. Cl.**  
USPC ..... **D3/205**  
(58) **Field of Classification Search**  
USPC ..... D3/205  
CPC ..... A45D 27/00; A45D 27/22; A45D 27/28;  
A45D 27/225  
See application file for complete search history.

(Continued)

**FOREIGN PATENT DOCUMENTS**

FR 2737189 A1 1/1997  
WO 2007119045 A2 10/2007

*Primary Examiner* — Charles D Hanson  
(74) *Attorney, Agent, or Firm* — John M. Lipchitz

(57) **CLAIM**

The ornamental design for a shaving razor container, as shown and described.

**DESCRIPTION**

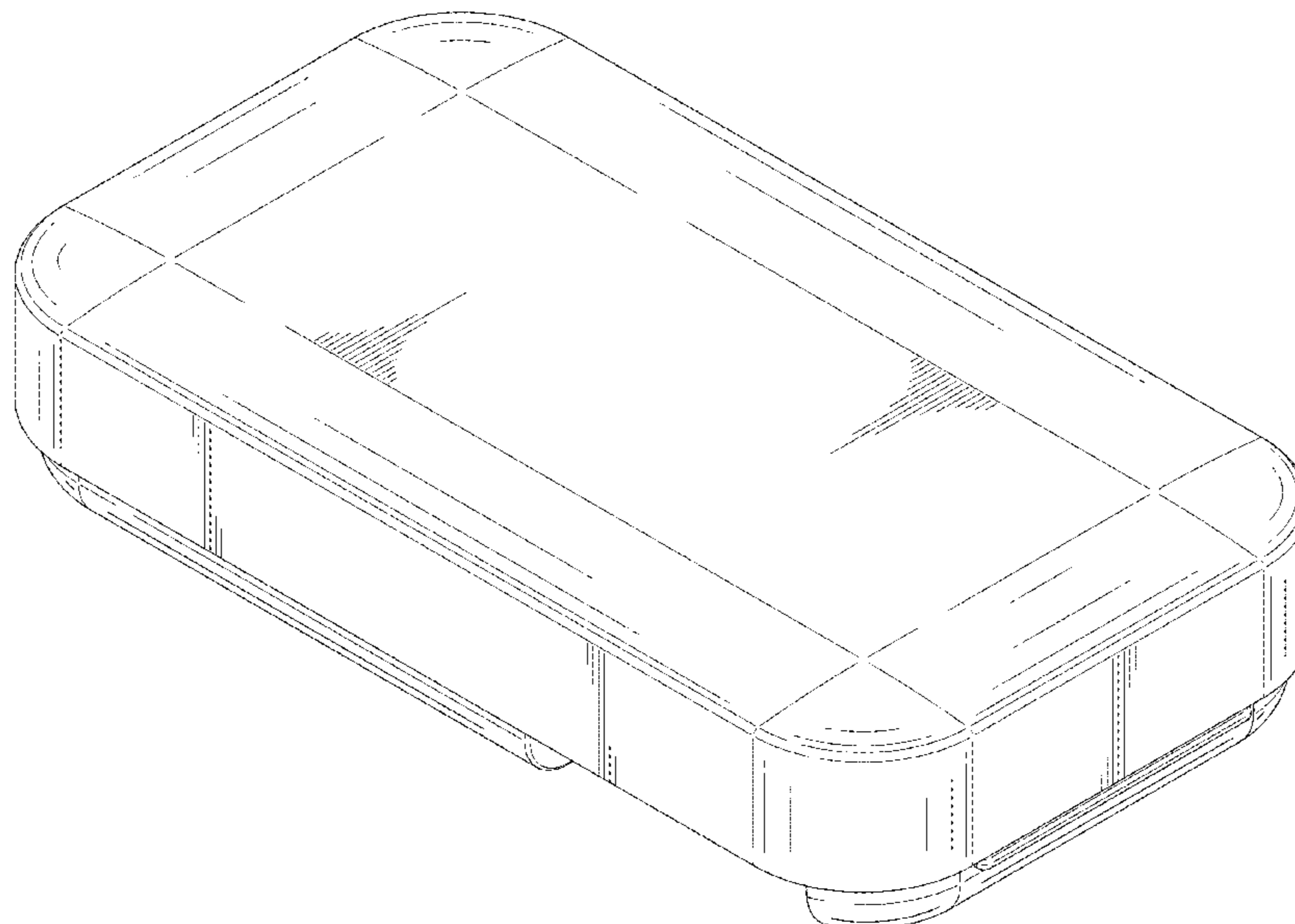
FIG. 1 is a top perspective view of a shaving razor container showing our new design;  
FIG. 2 is a front view thereof;  
FIG. 3 is a rear view thereof;  
FIG. 4 is a right view thereof;  
FIG. 5 is a left view thereof;  
FIG. 6 is a top view thereof;  
FIG. 7 is a bottom view thereof; and,  
FIG. 8 is a bottom perspective view thereof.  
The broken lines illustrate structure or features that form no part of the claimed design.

(56) **References Cited**

**U.S. PATENT DOCUMENTS**

3,206,012 A \* 9/1965 Braginetz ..... A45D 27/22  
220/377  
D259,596 S \* 6/1981 Gray ..... D3/205  
D261,950 S \* 11/1981 Jankowski ..... D3/205  
D262,585 S \* 1/1982 Anema ..... D3/205  
D313,175 S 12/1990 Motta et al.  
D501,955 S 2/2005 Long et al.  
6,896,137 B2 5/2005 Mchutchinson  
D596,953 S \* 7/2009 Wonderley ..... D3/205  
8,955,671 B1 2/2015 Barnett  
D745,775 S \* 12/2015 Provost ..... D3/205

**1 Claim, 6 Drawing Sheets**



(56)

**References Cited**

U.S. PATENT DOCUMENTS

2015/0059197 A1\* 3/2015 Sassano ..... A45D 27/48  
34/80  
2018/0079581 A1\* 3/2018 Marquette ..... A45D 27/225  
2018/0160790 A1\* 6/2018 Swatty ..... A45D 27/225  
2021/0259384 A1\* 8/2021 McGarry ..... A45D 27/225

\* cited by examiner

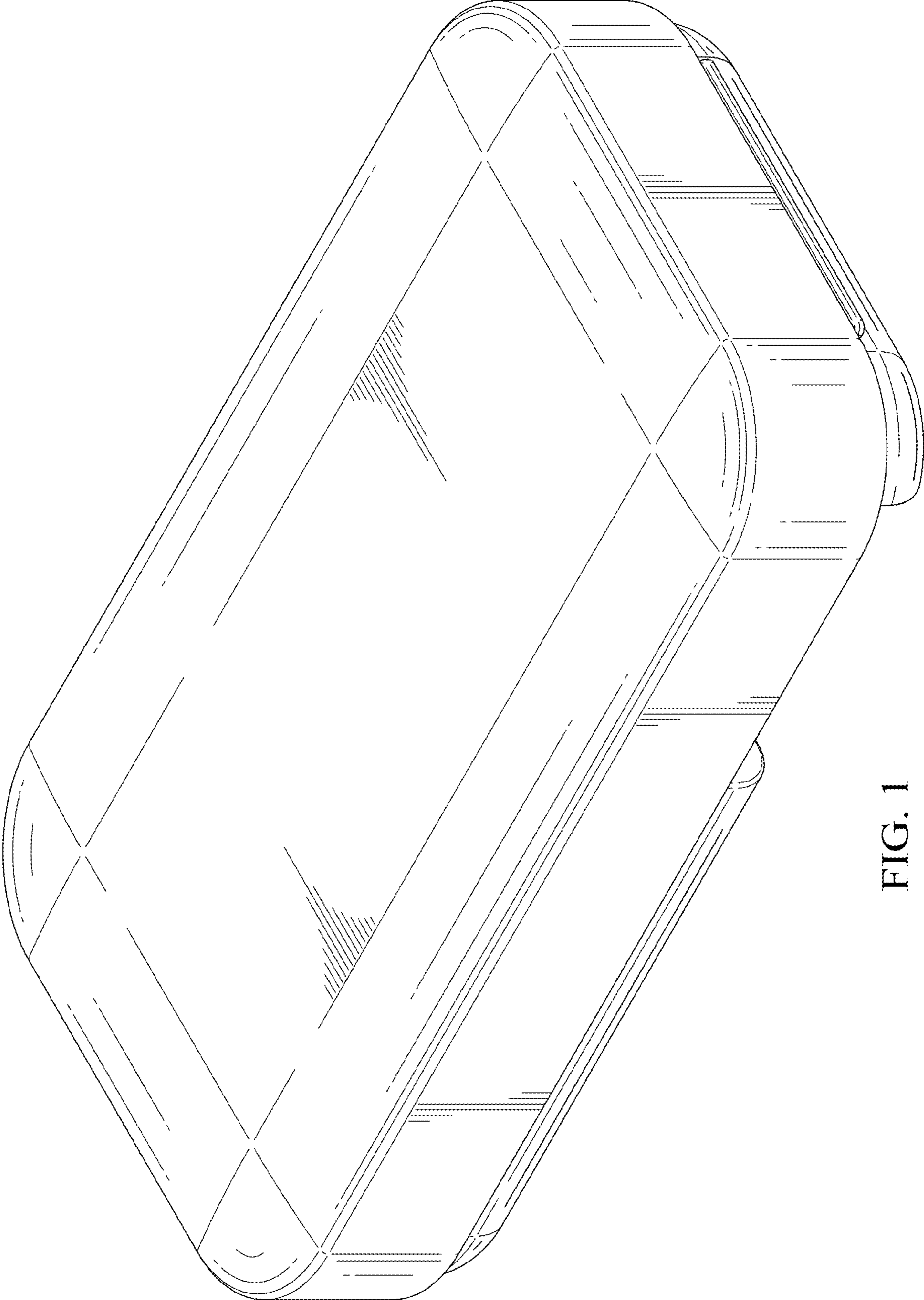


FIG. 1

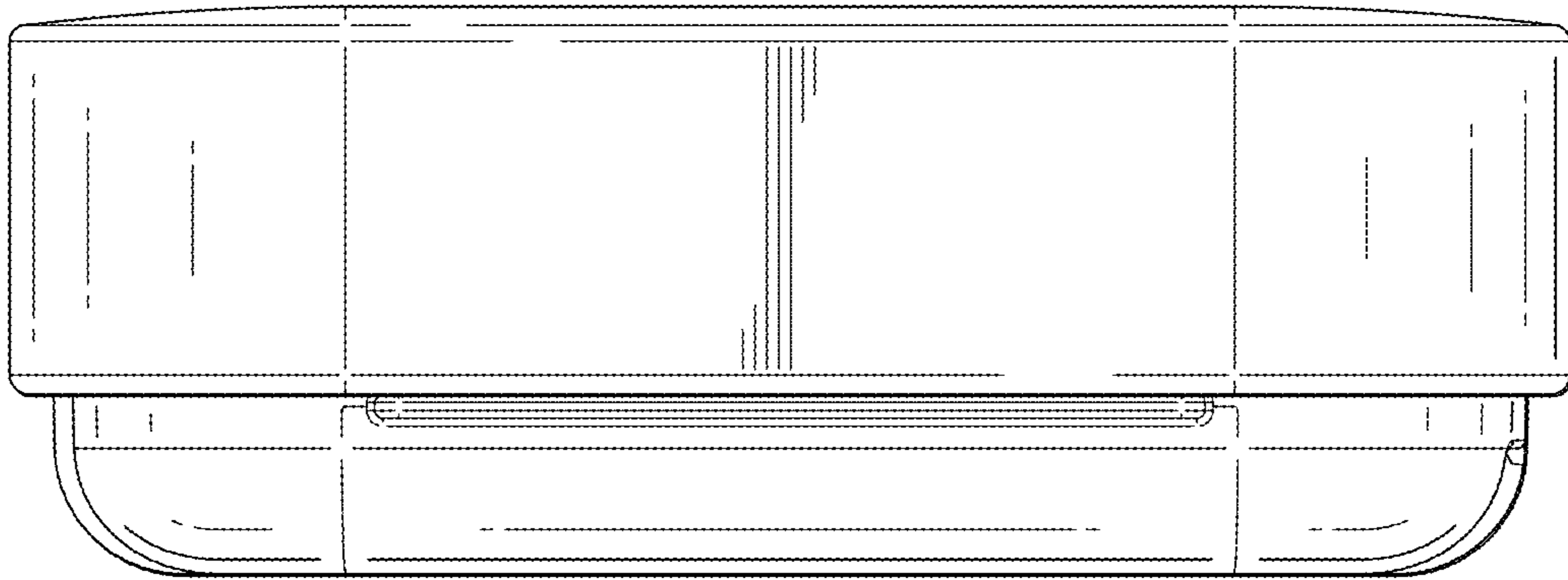


FIG. 2

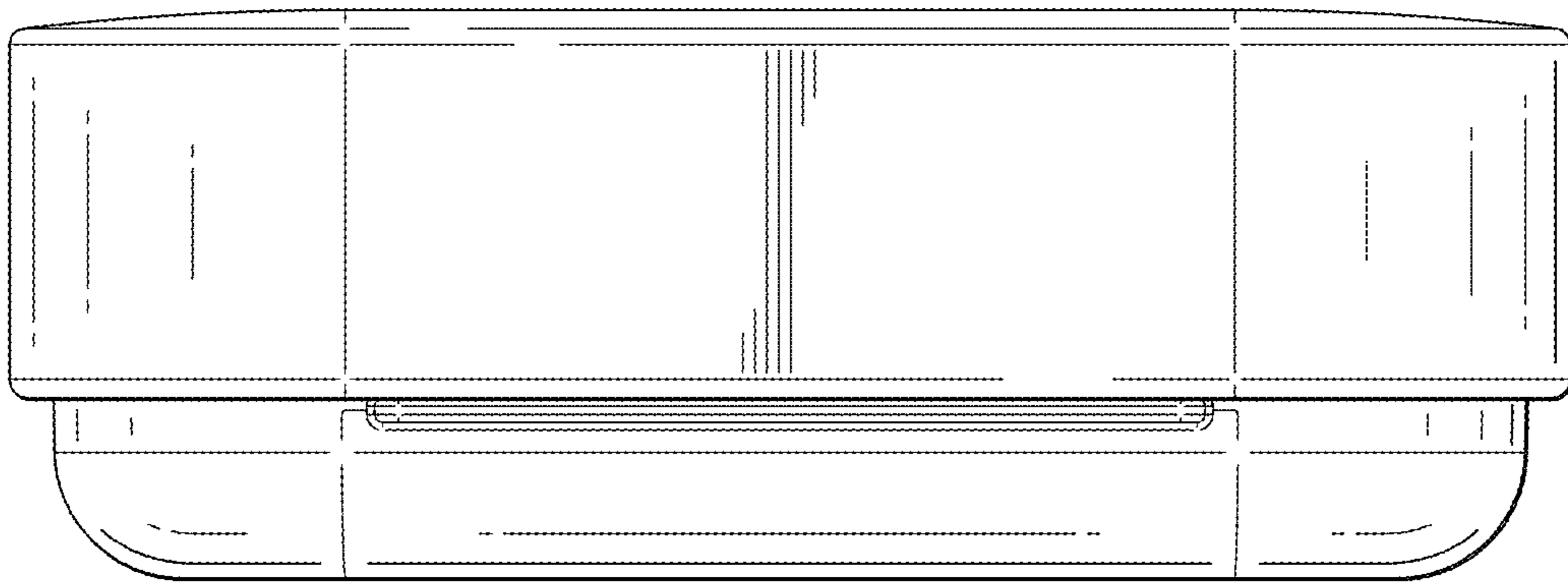


FIG. 3

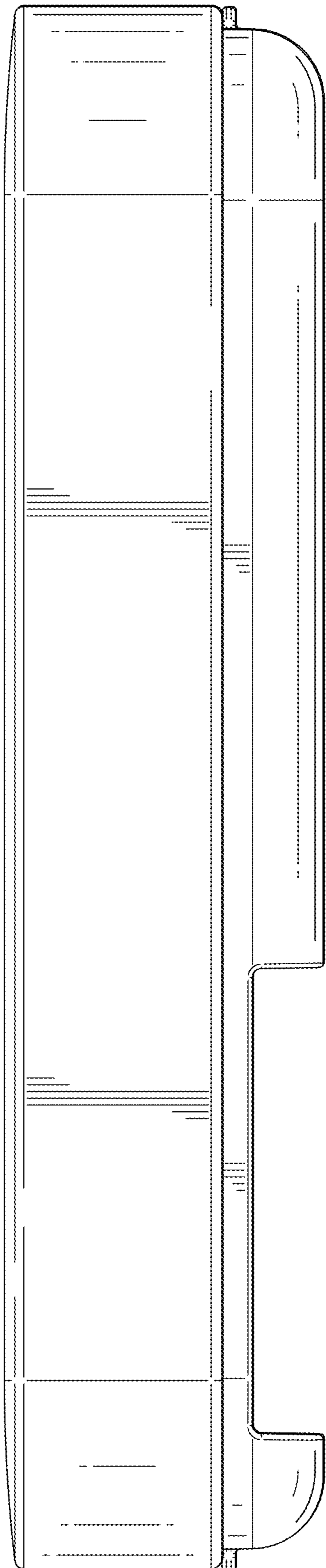


FIG. 4

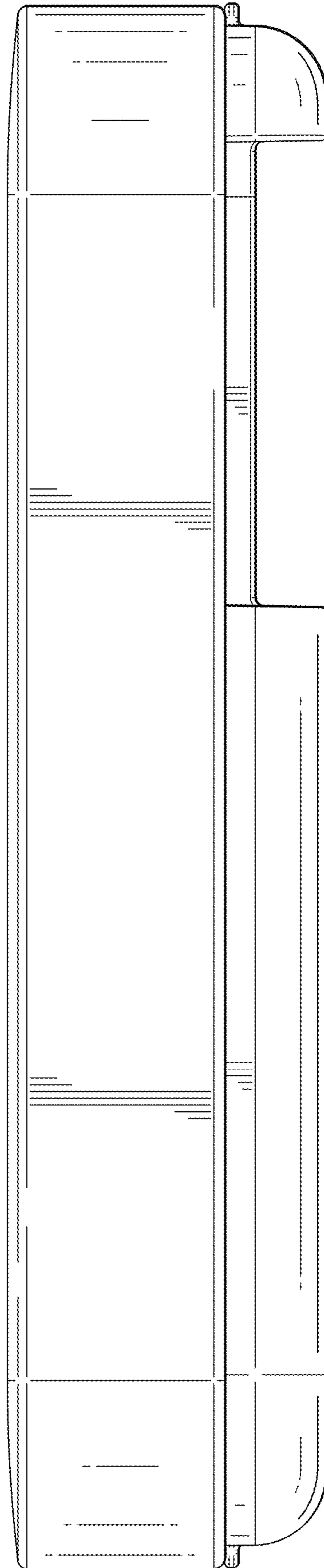


FIG. 5

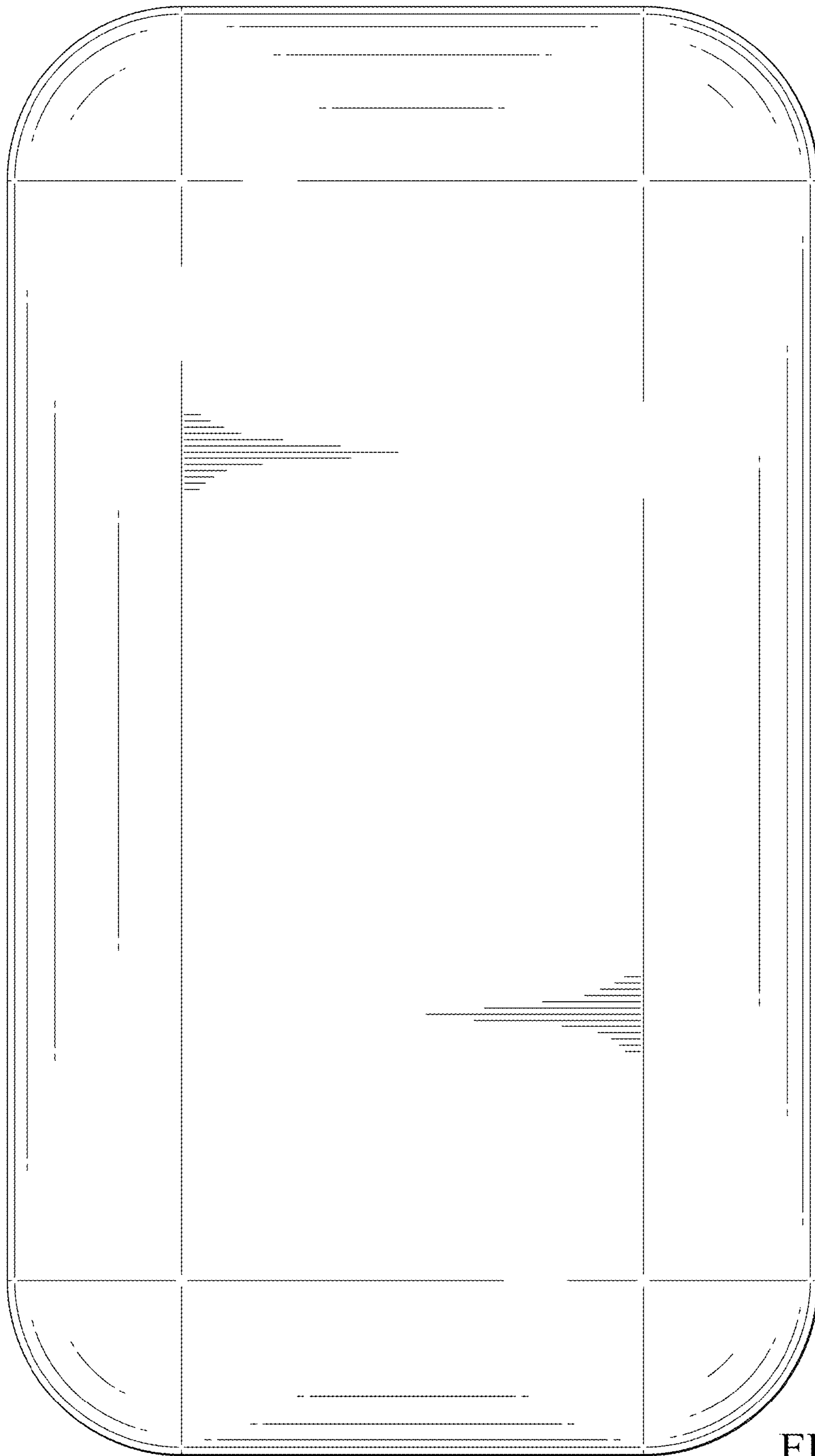


FIG. 6

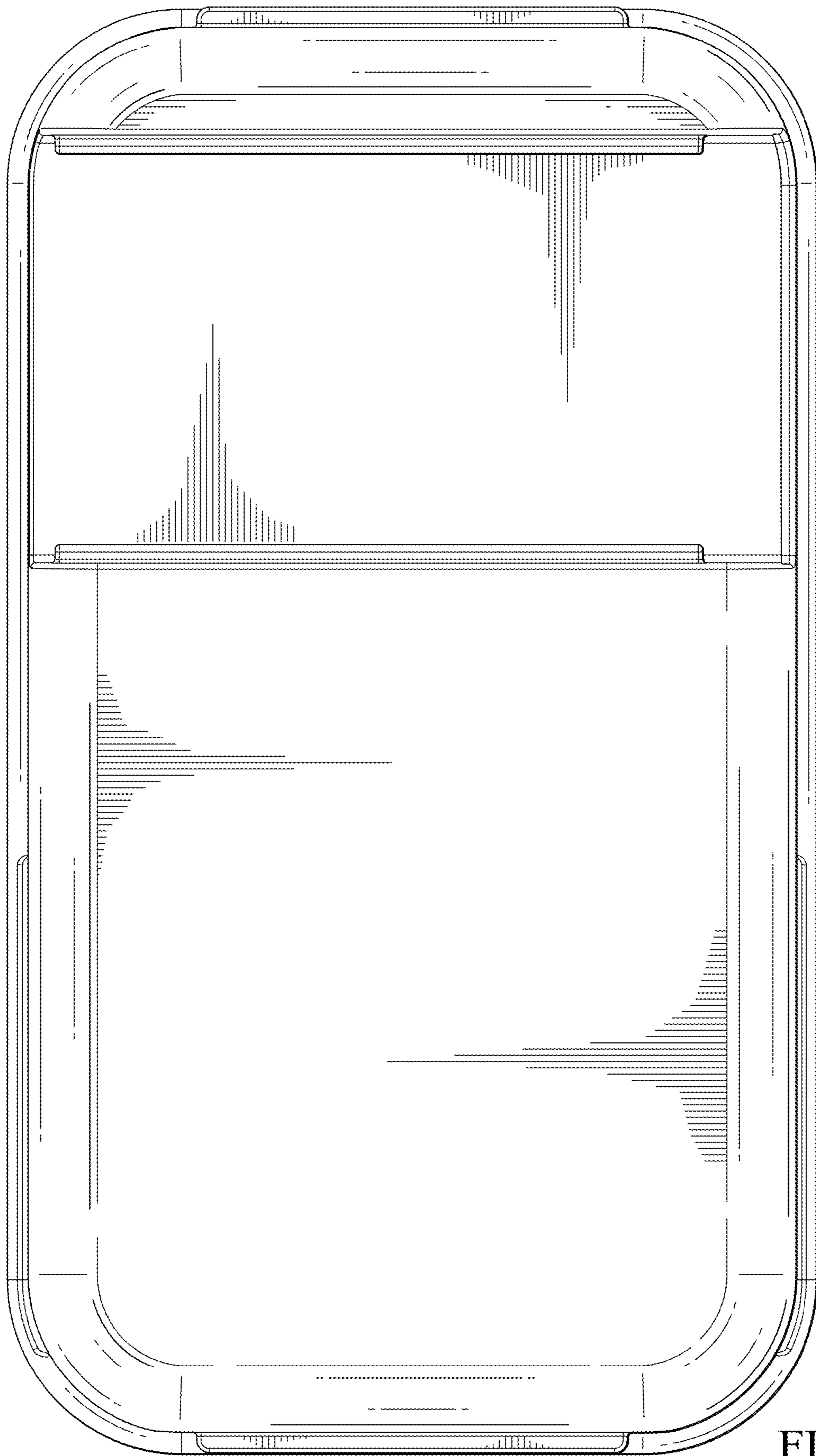


FIG. 7

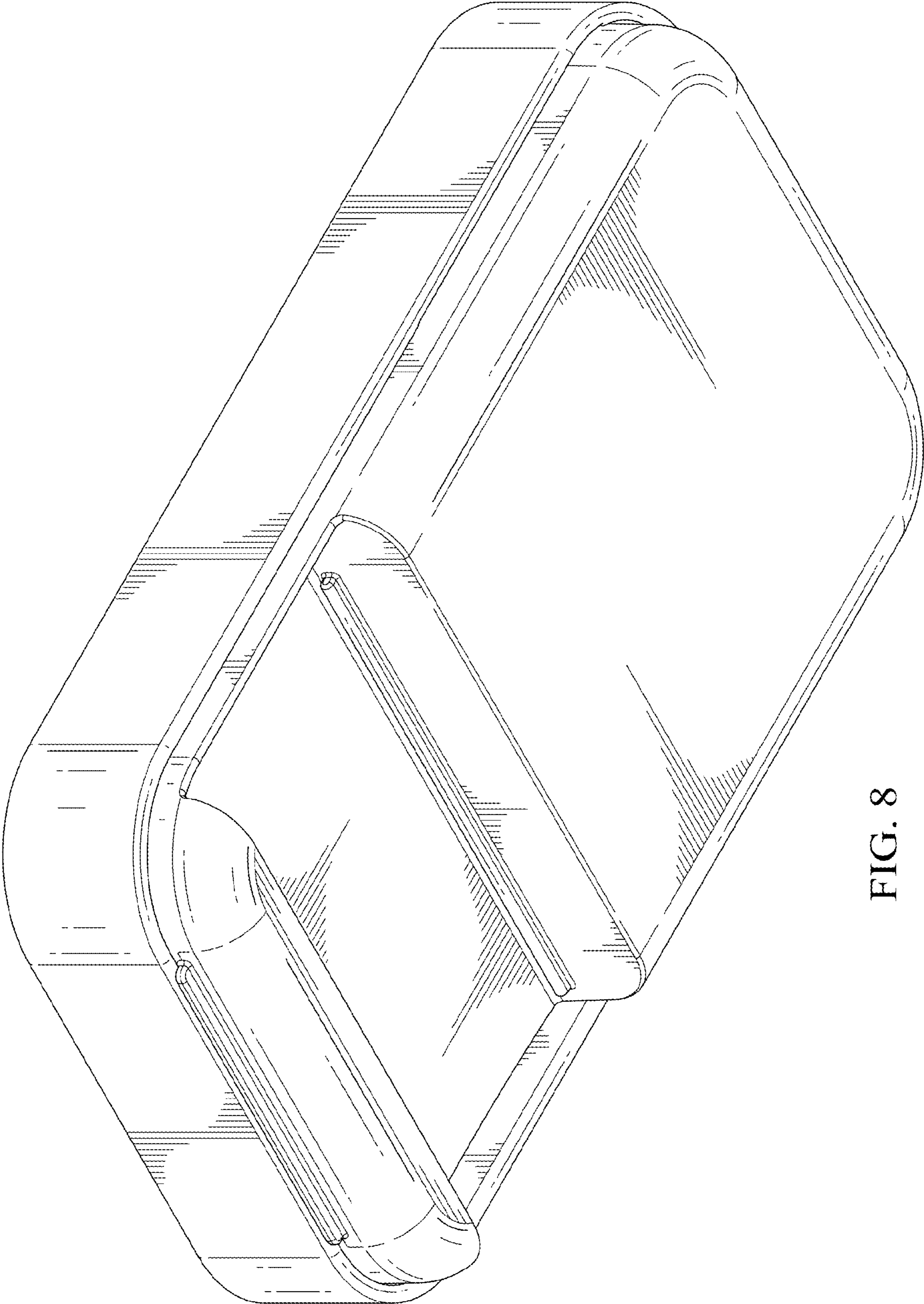


FIG. 8