



US00D986583S

(12) **United States Design Patent** (10) **Patent No.:** **US D986,583 S**
McGarry et al. (45) **Date of Patent:** **** May 23, 2023**

(54) **SHAVING RAZOR ORGANIZER**

FOREIGN PATENT DOCUMENTS

(71) Applicant: **The Gillette Company LLC**, Boston, MA (US)

DE 7239038 U 2/1973
DE 202013008189 U1 12/2014

(Continued)

(72) Inventors: **Rory Frederick Wellington McGarry**, Boston, MA (US); **Brian Patrick Watson**, Marshfield, MA (US)

OTHER PUBLICATIONS

All Office Actions; U.S. Appl. No. 29/701,131.

(Continued)

(73) Assignee: **The Gillette Company LLC**, Boston, MA (US)

Primary Examiner — Charles D Hanson

(**) Term: **15 Years**

(74) *Attorney, Agent, or Firm* — John M. Lipchitz

(21) Appl. No.: **29/704,182**

(57) **CLAIM**

The ornamental design for a shaving razor organizer, as shown and described.

(22) Filed: **Sep. 3, 2019**

DESCRIPTION

(51) **LOC (14) Cl.** **03-02**

(52) **U.S. Cl.**
USPC **D3/205**

(58) **Field of Classification Search**
USPC D3/205
CPC A45D 27/00; A45D 27/22; A45D 27/28;
A45D 27/225
See application file for complete search history.

FIG. 1 is a first perspective view of a design for a shaving razor organizer of the present invention;
FIG. 2 is a rear view thereof;
FIG. 3 is a front view thereof;
FIG. 4 is a right side view thereof;
FIG. 5 is a left side view thereof;
FIG. 6 is a top view thereof;
FIG. 7 is a bottom view thereof;
FIG. 8 is a second perspective view thereof;
FIG. 9 is a first perspective view of a design for a shaving razor organizer of the present invention in an open position;
FIG. 10 is a rear view thereof;
FIG. 11 is a front view thereof;
FIG. 12 is a right side view thereof;
FIG. 13 is a left side view thereof;
FIG. 14 is a top view thereof;
FIG. 15 is a bottom view thereof; and,
FIG. 16 is a second perspective view thereof.

The dash broken lines are directed to the environment and are for illustrative purposes only and form no part of the claimed design.

(56) **References Cited**

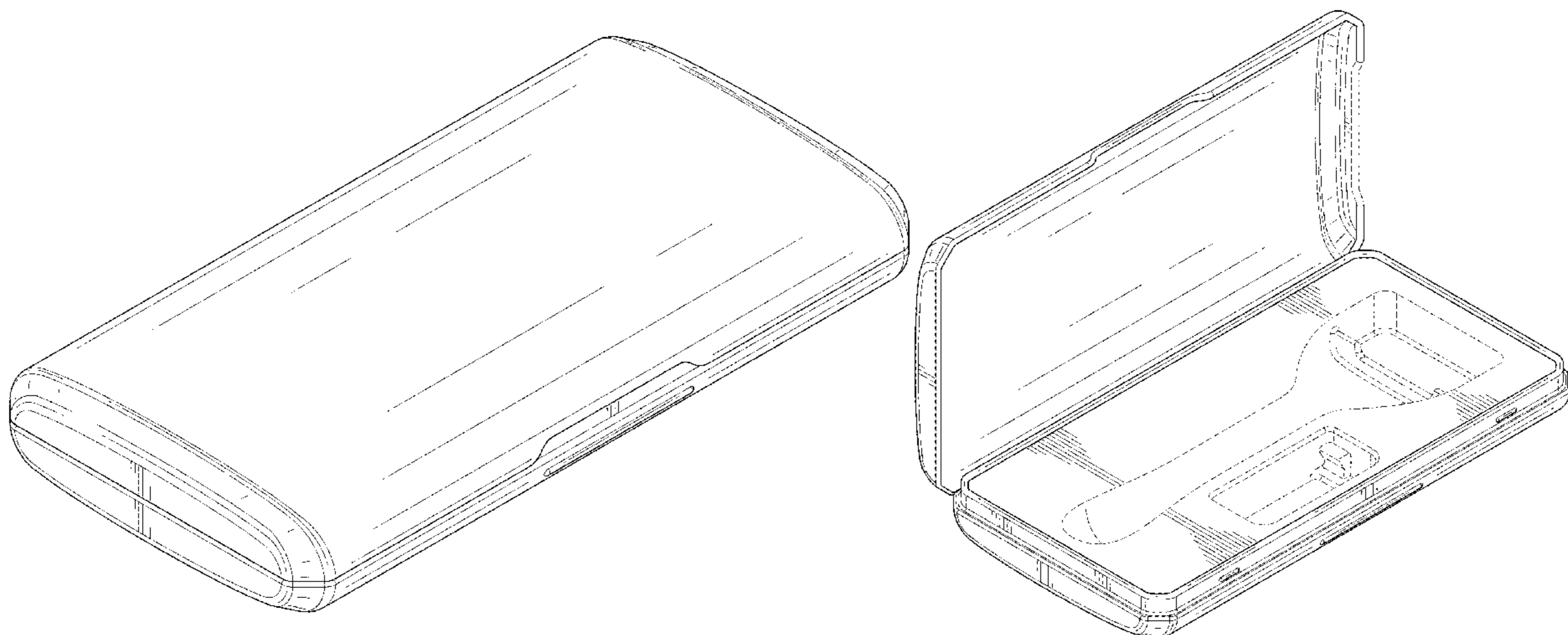
U.S. PATENT DOCUMENTS

1,493,097 A 5/1924 Blood
1,513,776 A 11/1924 Cheney
1,536,468 A 5/1925 Behrman
2,735,542 A 2/1956 Shnitzler
2,925,905 A 2/1960 Metzler et al.
3,095,965 A 7/1963 Gerald et al.
3,206,012 A * 9/1965 Braginetz A45D 27/22
220/377

3,366,268 A 1/1968 Heinz
3,381,873 A 5/1968 Kashichi
3,613,873 A 10/1971 Schulman

(Continued)

1 Claim, 14 Drawing Sheets



(56)

References Cited

U.S. PATENT DOCUMENTS

3,999,661 A 12/1976 Jones
 D259,596 S * 6/1981 Gray D3/205
 D261,950 S * 11/1981 Jankowski D3/205
 D262,585 S * 1/1982 Anema D3/205
 5,590,779 A 1/1997 Ramsey
 D380,900 S 7/1997 Gohil
 5,782,346 A 7/1998 Gray et al.
 D414,036 S 9/1999 Conway
 D425,296 S 5/2000 Shurtleff
 D430,727 S 9/2000 Wisniewski
 6,394,337 B1 5/2002 Ross et al.
 6,415,517 B1 7/2002 Worrick, III
 7,159,324 B2 1/2007 Worrick, III
 D588,908 S 3/2009 Silvenis
 D596,953 S * 7/2009 Wonderley D3/205
 D625,913 S 10/2010 Phillips
 7,858,027 B2 12/2010 Trissel
 D681,938 S 5/2013 Pan
 D700,995 S 3/2014 Lee et al.
 D700,996 S 3/2014 Lee et al.
 D739,980 S 9/2015 Psimadas
 D745,775 S * 12/2015 Provost D3/205
 D764,102 S 8/2016 Christie et al.
 D807,582 S 1/2018 Christofidellis
 10,059,495 B1 8/2018 Korustan et al.
 D829,993 S 10/2018 Hage et al.
 D842,542 S 3/2019 Ramm et al.
 D842,543 S 3/2019 Ramm et al.
 D842,544 S 3/2019 Ramm et al.
 D846,264 S 4/2019 Wu
 D857,991 S 8/2019 Atlason et al.
 D880,063 S 3/2020 Ramm
 D887,082 S 6/2020 Zaremba
 D895,268 S * 9/2020 Goeder D3/205
 D895,960 S * 9/2020 Goeder D3/205
 D908,960 S * 1/2021 Ramm D3/205
 D913,592 S 3/2021 McGarry et al.
 2003/0101525 A1 * 6/2003 Belloli A45D 27/22
 15/160
 2003/0209457 A1 * 11/2003 Coffin B26B 21/4037
 206/352

2005/0218033 A1 * 10/2005 Curtis A45D 27/22
 190/110
 2006/0102509 A1 5/2006 Powers et al.
 2007/0141199 A1 6/2007 Ishikawa et al.
 2010/0307116 A1 12/2010 Fisher
 2010/0313425 A1 12/2010 Hawes
 2011/0119923 A1 * 5/2011 Nicoll A45D 27/22
 30/526
 2013/0291390 A1 11/2013 Gajria et al.
 2015/0047481 A1 * 2/2015 Nicoll B26B 21/4018
 83/22
 2015/0059197 A1 * 3/2015 Sassano A45D 27/48
 34/80
 2015/0265019 A1 9/2015 Niedzwiecki et al.
 2017/0196342 A1 7/2017 Martin
 2018/0079581 A1 * 3/2018 Marquette A45D 27/225
 2018/0160790 A1 * 6/2018 Swatty A45D 27/225
 2019/0193293 A1 6/2019 Peach
 2021/0061537 A1 3/2021 Riley et al.
 2021/0259384 A1 * 8/2021 McGarry A45D 27/225

FOREIGN PATENT DOCUMENTS

EP 0001260 A1 4/1979
 EP 1843878 B1 4/2010
 EP 3348363 B1 7/2019
 FR 2841223 A1 12/2003
 JP S58112969 A 7/1983
 WO 2011149723 A1 12/2011

OTHER PUBLICATIONS

All Office Actions; U.S. Appl. No. 29/770,348.
 All Office Actions; U.S. Appl. No. 16/800,145.
 All Office Actions; U.S. Appl. No. 17/328,406.
 Unpublished U.S. Appl. No. 16/800,145, filed Feb. 25, 2020, to Rory Frederick Wellington McGarry et al.
 Unpublished U.S. Appl. No. 17/328,406, filed May 24, 2021, to Rory Frederick Wellington McGarry et al.
 U.S. Appl. No. 29/770,348, filed Feb. 21, 2021, Rory Frederick Wellington McGarry et al.

* cited by examiner

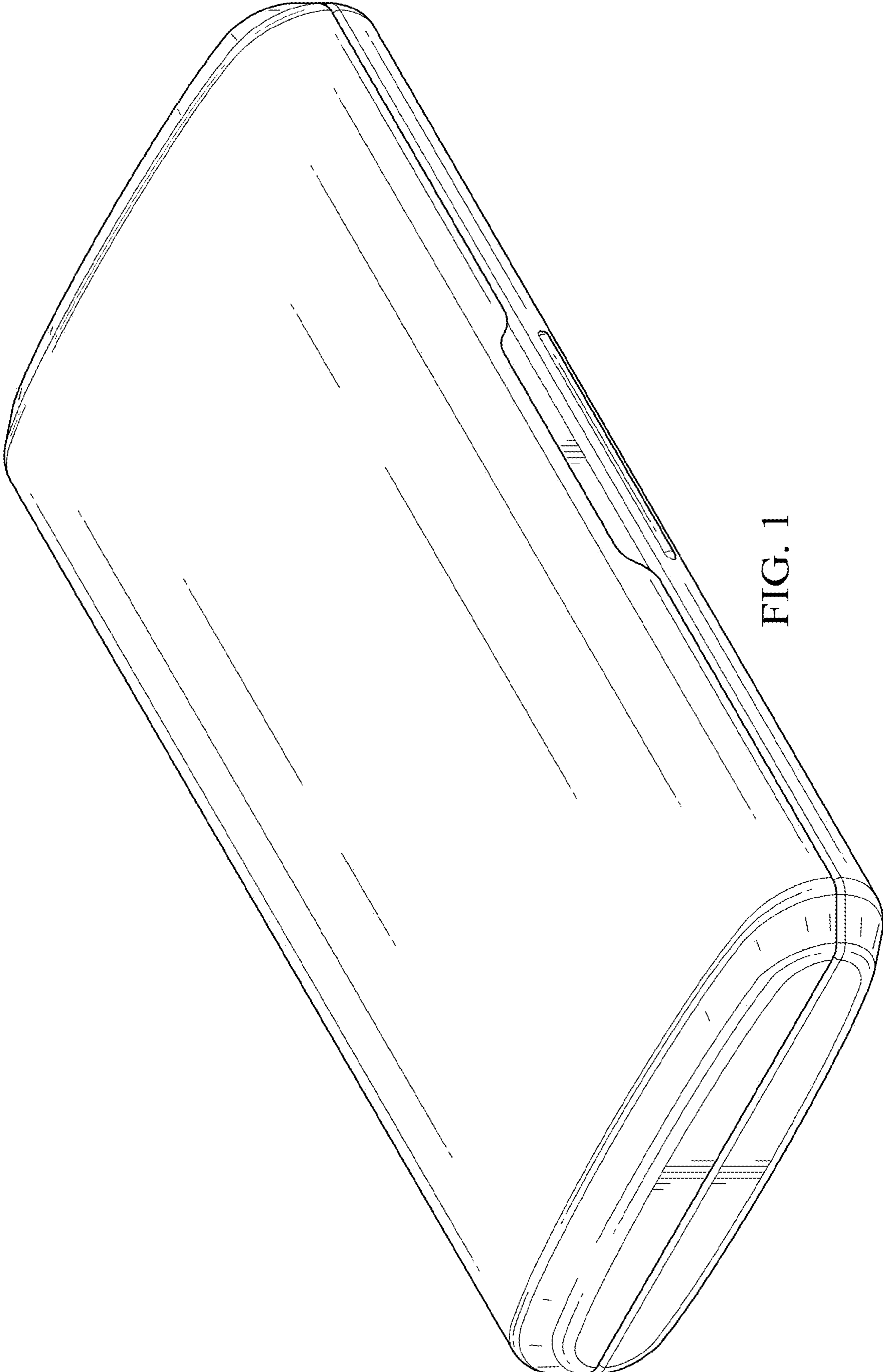


FIG. 1

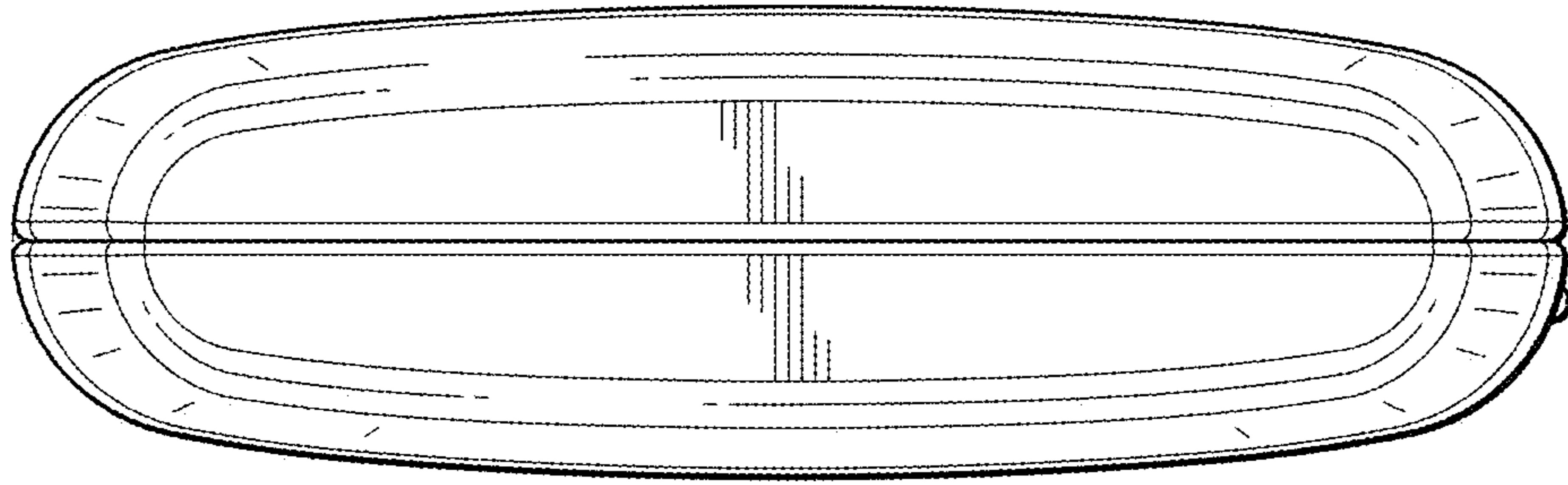


FIG. 2

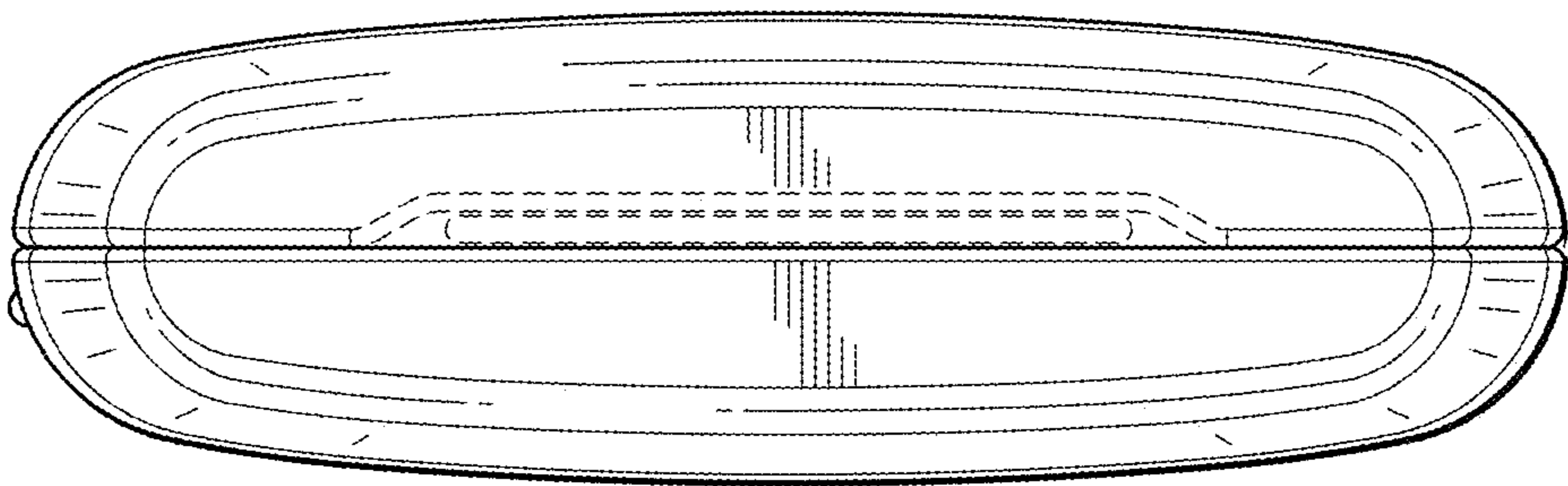


FIG. 3

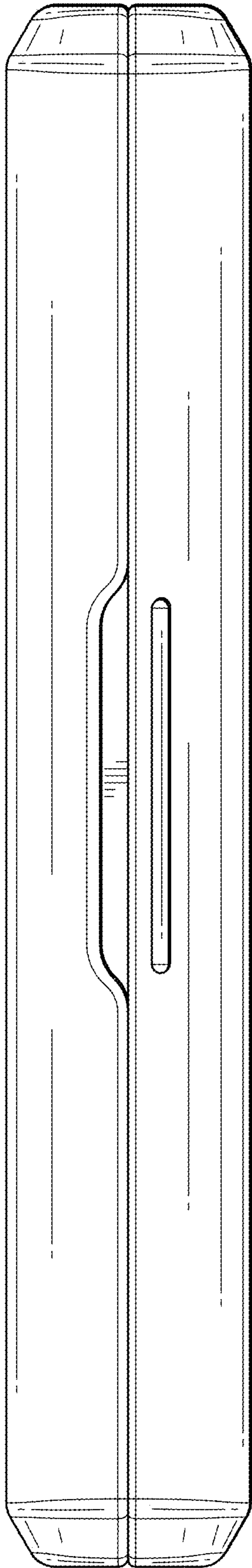


FIG. 4

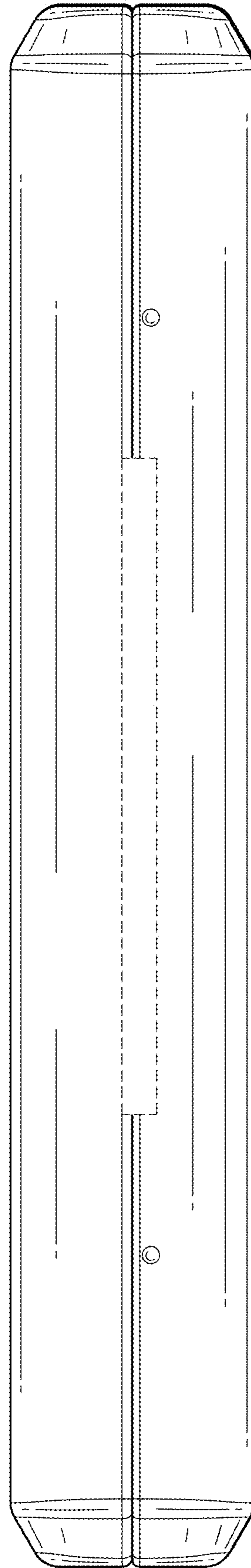


FIG. 5

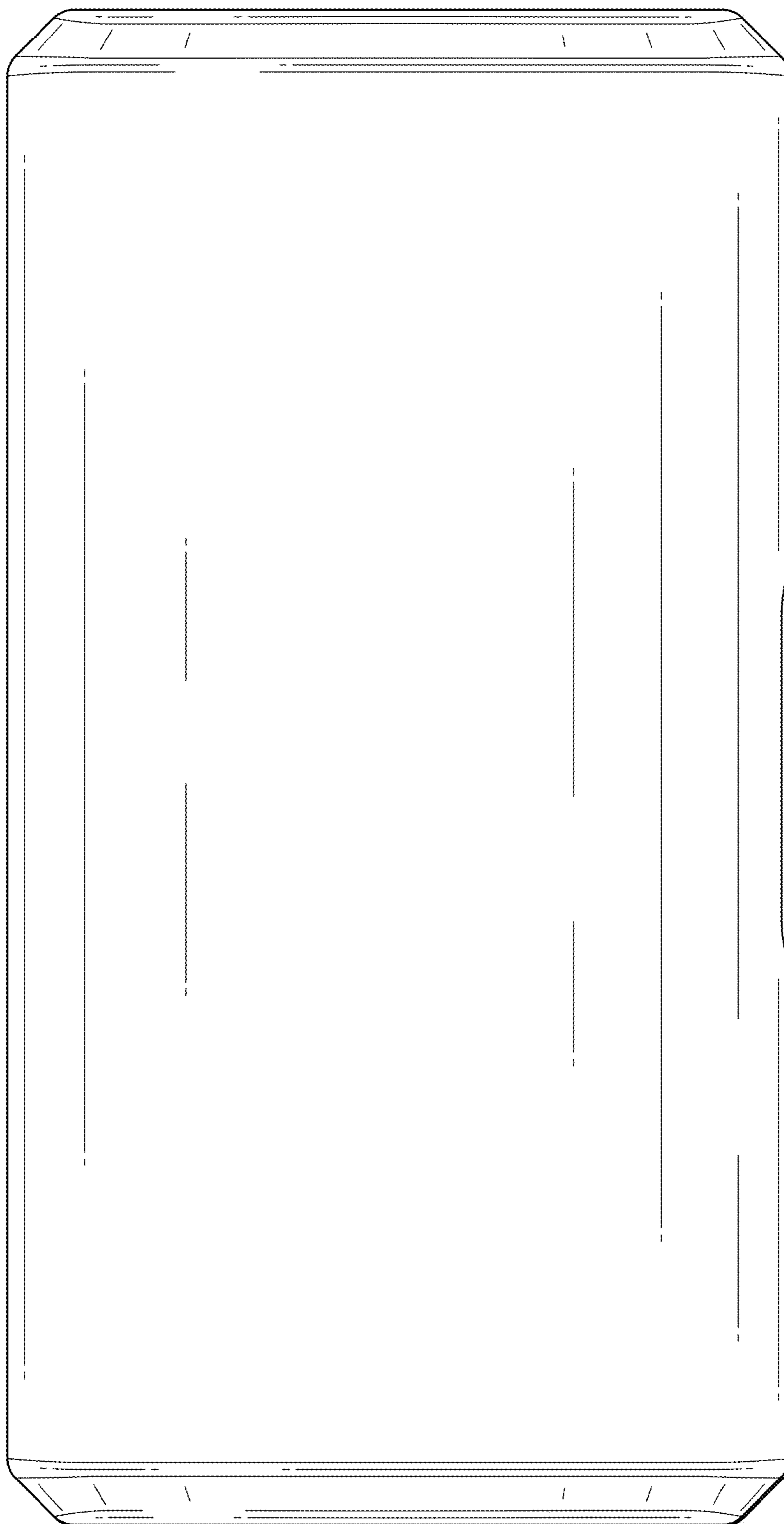


FIG. 6

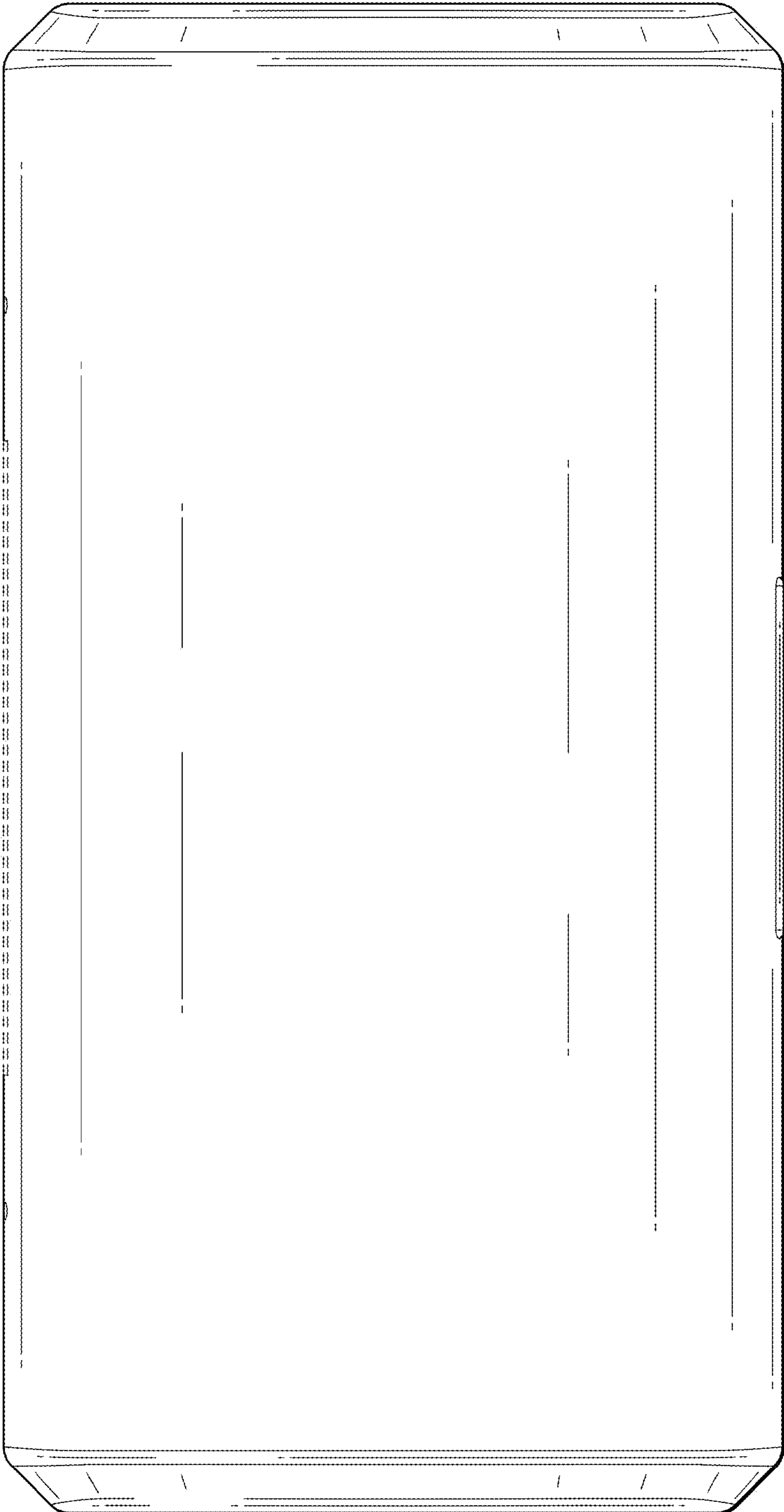


FIG. 7

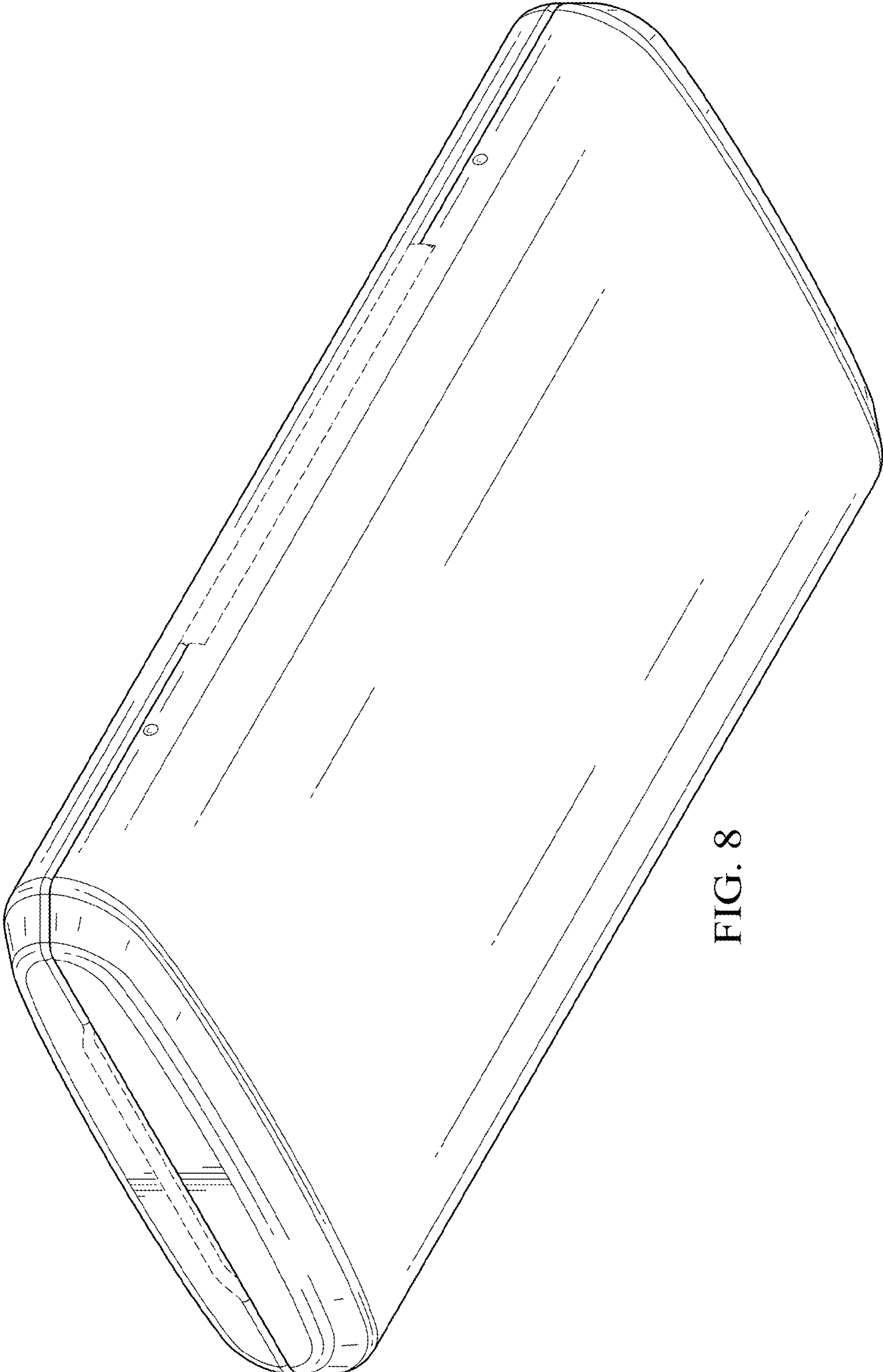


FIG. 8

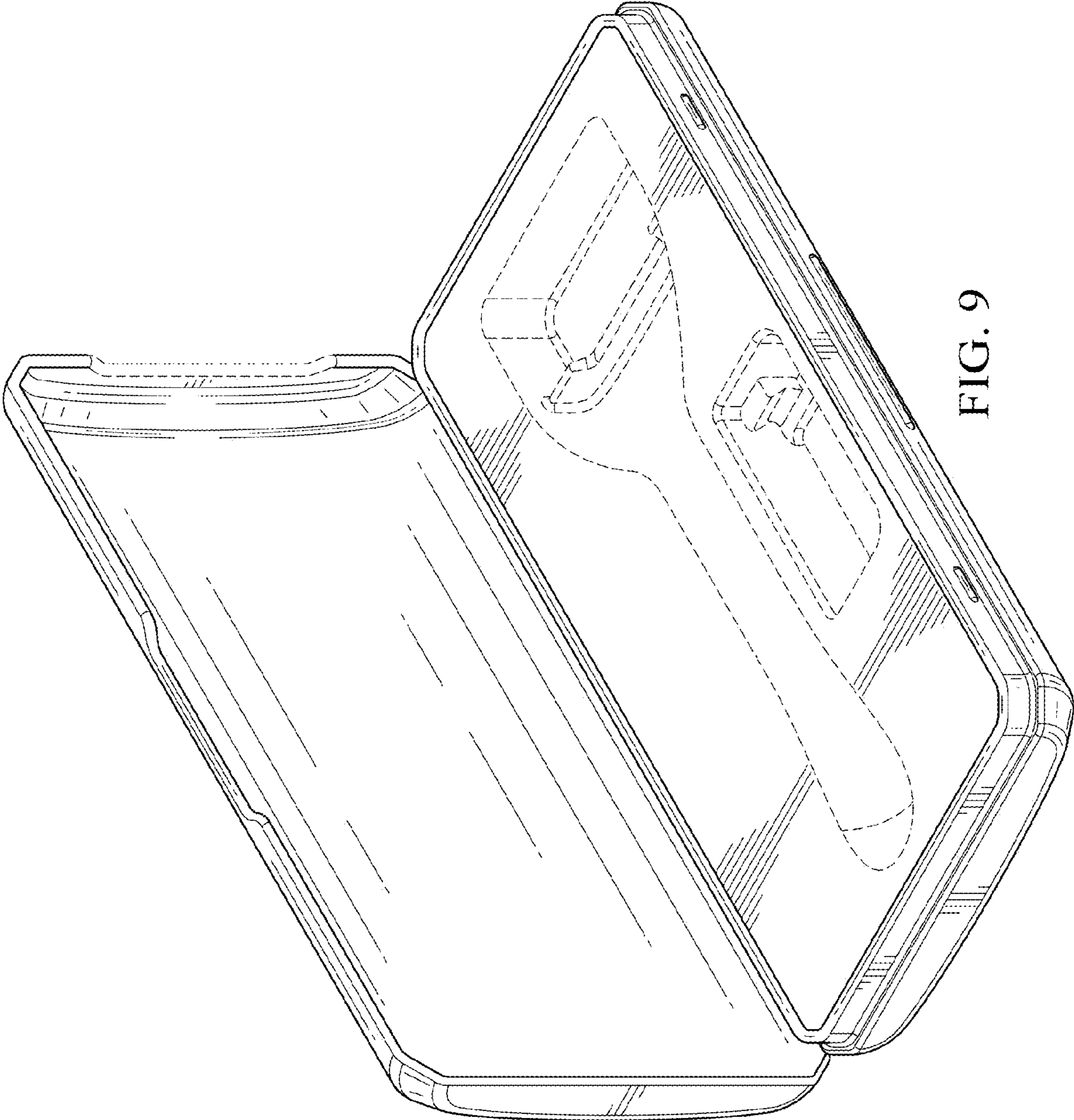


FIG. 9

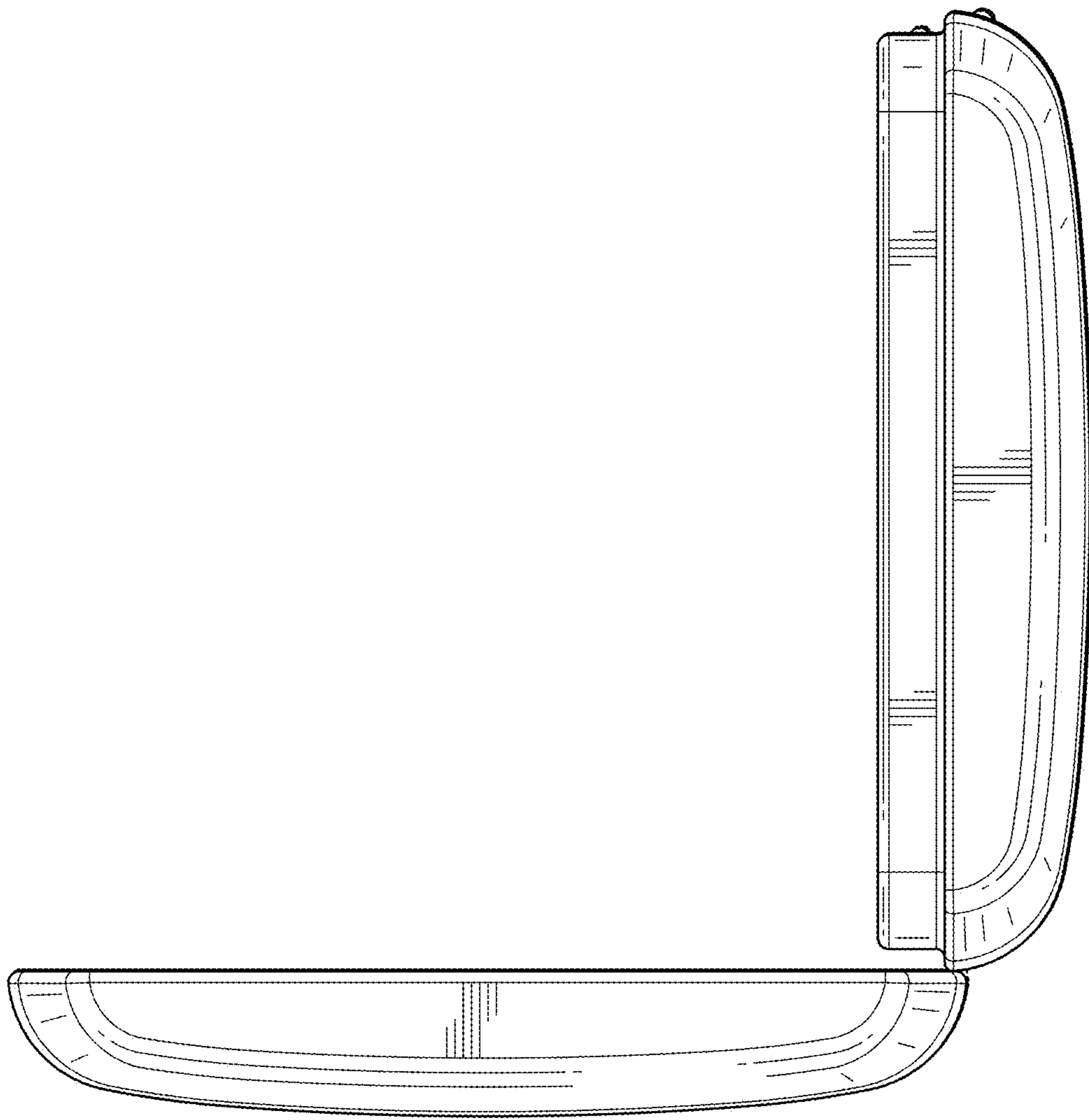


FIG. 10



FIG. 11

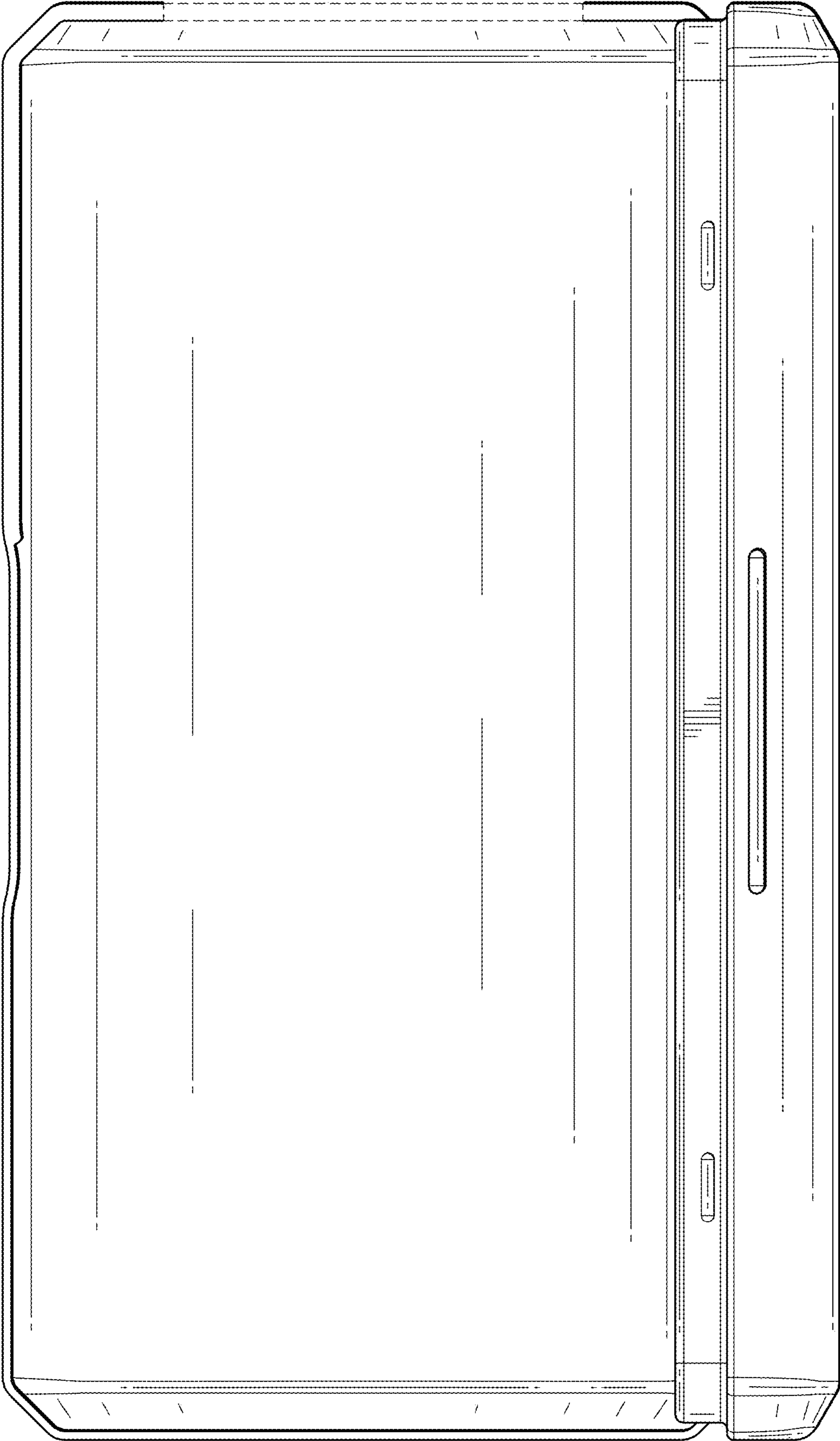


FIG. 12

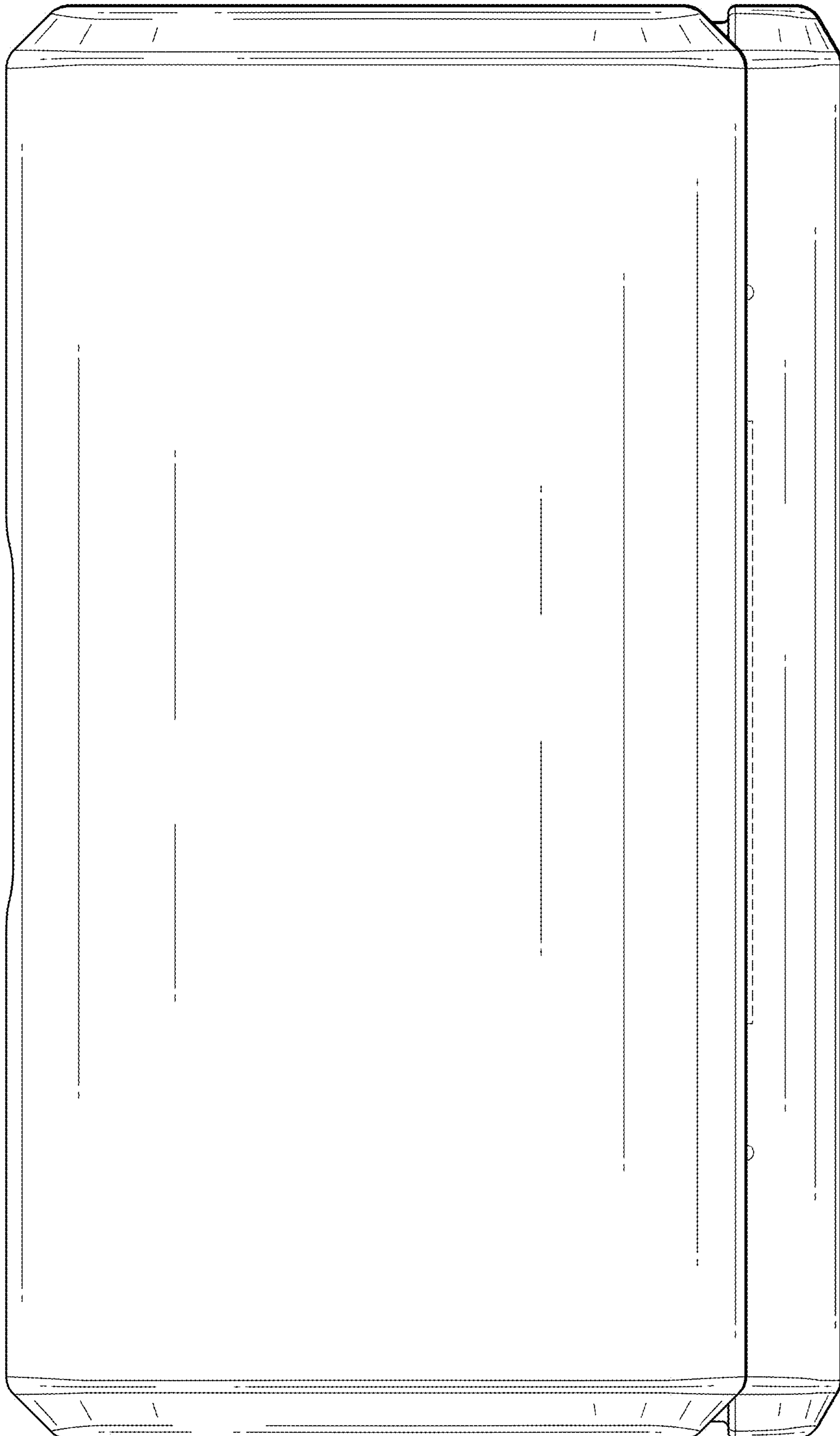


FIG. 13

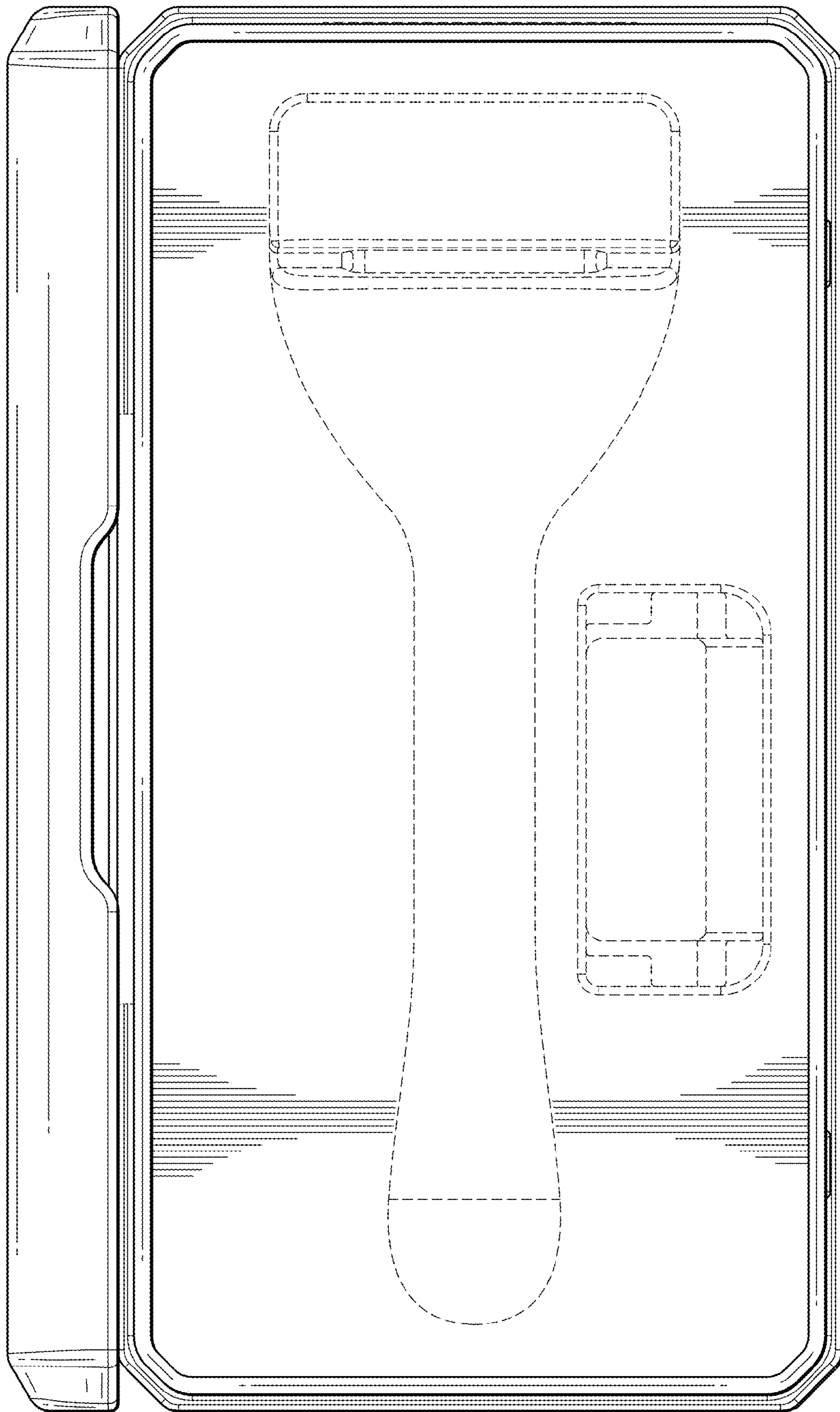


FIG. 14

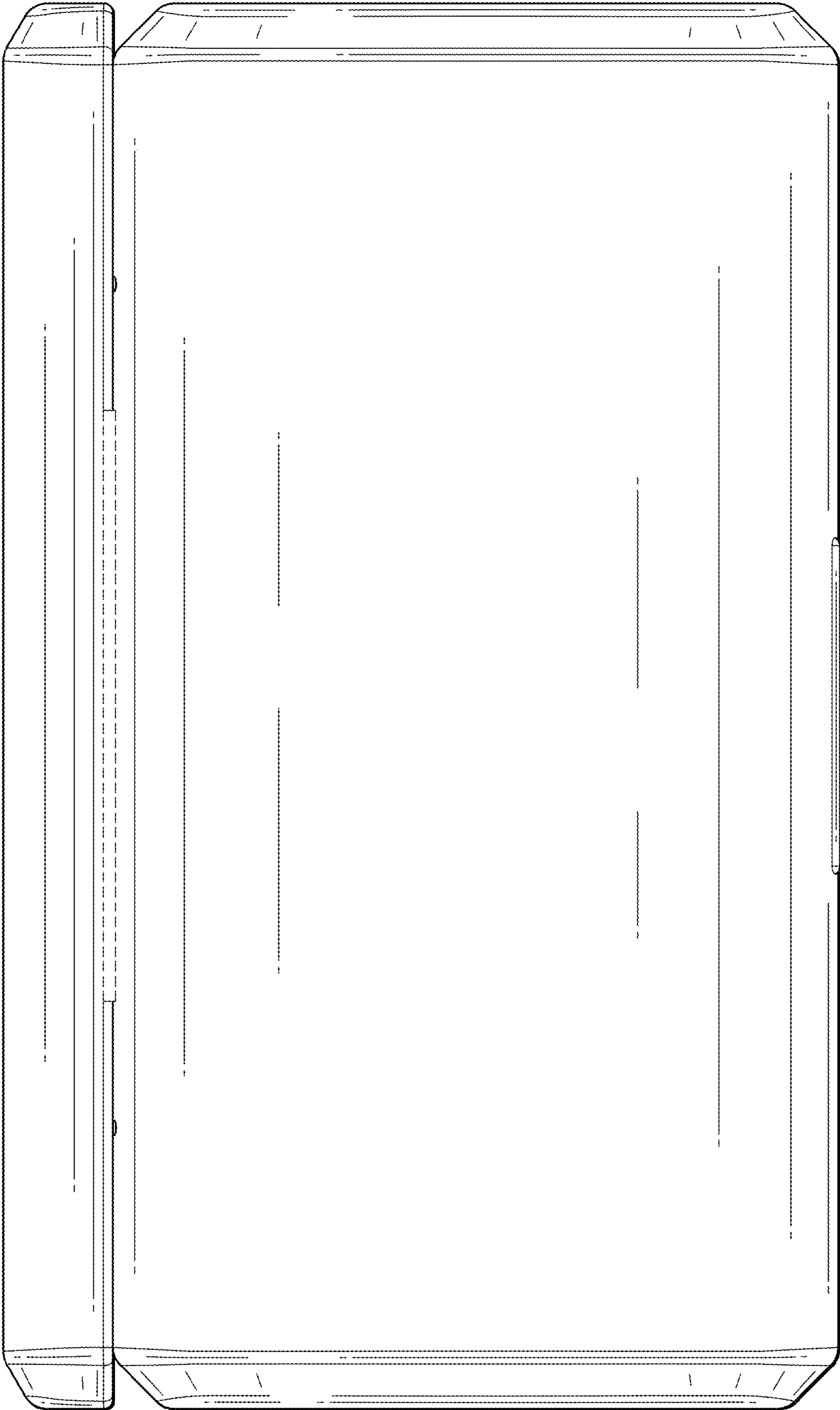


FIG. 15

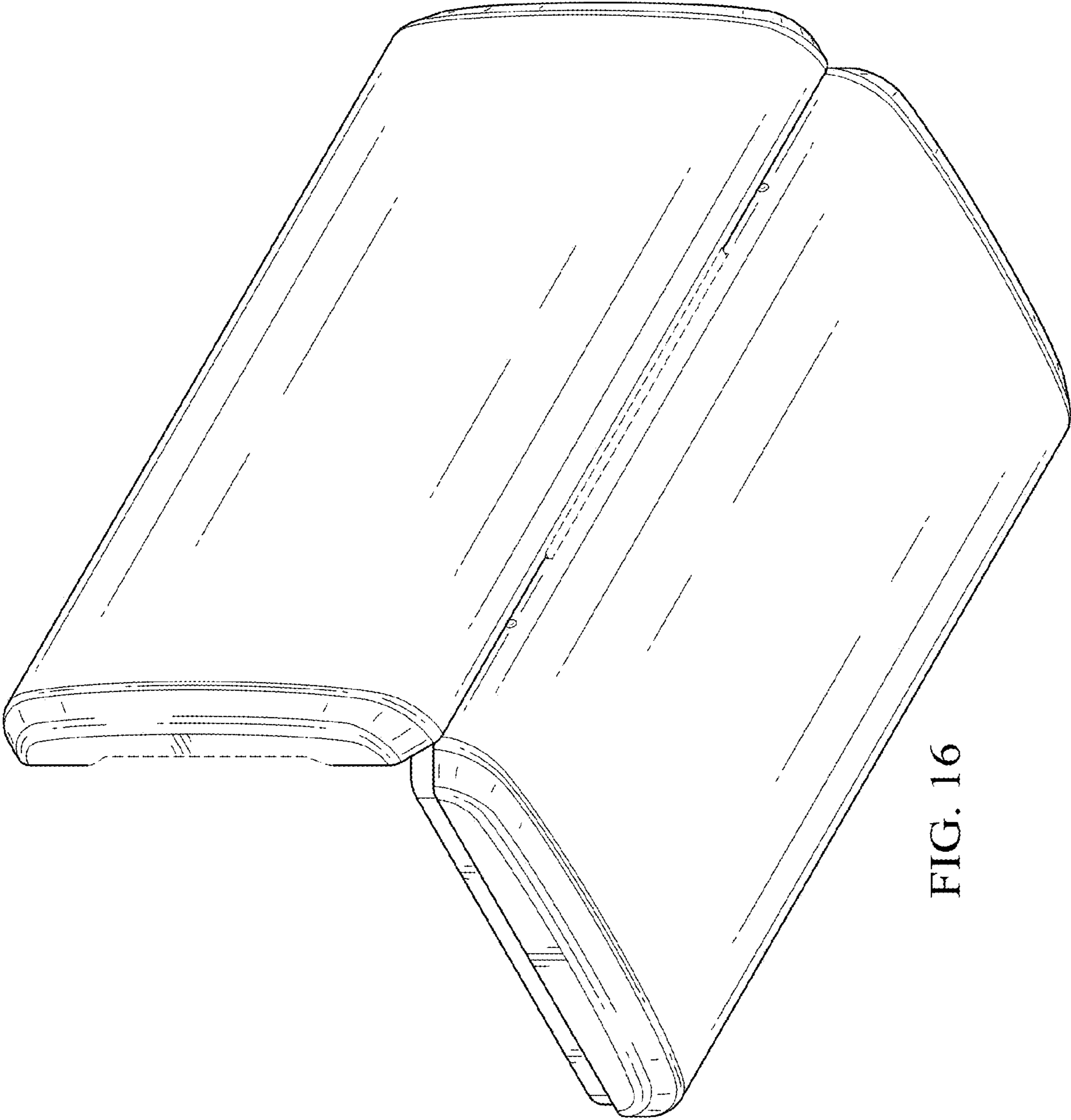


FIG. 16