



US00D986582S

(12) **United States Design Patent** (10) **Patent No.:** **US D986,582 S**  
**Greene** (45) **Date of Patent:** **\*\* May 23, 2023**

- (54) **SHAVING RAZOR ORGANIZER**
- (71) Applicant: **The Gillette Company LLC**, Boston, MA (US)
- (72) Inventor: **Jeffrey Allen Greene**, Milton, MA (US)
- (73) Assignee: **The Gillette Company LLC**, Boston, MA (US)
- (\*\*) Term: **15 Years**
- (21) Appl. No.: **29/693,001**
- (22) Filed: **May 30, 2019**
- (51) **LOC (14) Cl.** ..... **03-02**
- (52) **U.S. Cl.**  
USPC ..... **D3/205**
- (58) **Field of Classification Search**  
USPC ..... **D3/205**  
CPC ..... **A45D 27/00; A45D 27/22; A45D 27/28; A45D 27/225**  
See application file for complete search history.

(56) **References Cited**

U.S. PATENT DOCUMENTS

3,206,012	A *	9/1965	Braginetz	.....	A45D 27/22
					220/377
D259,596	S *	6/1981	Gray	.....	D3/205
D261,950	S *	11/1981	Jankowski	.....	D3/205
D262,585	S *	1/1982	Anema	.....	D3/205
D326,017	S	5/1992	Orosy et al.		
D404,917	S	2/1999	Miller et al.		
5,894,922	A	4/1999	Miller et al.		
D466,283	S	12/2002	Kim		
D479,401	S	9/2003	Claypool		
D484,684	S	1/2004	Eldon, III et al.		
D529,711	S	10/2006	Shamoon		
D596,953	S *	7/2009	Wonderley	.....	D3/205
D681,938	S	5/2013	Pan		
D740,692	S	10/2015	Christie et al.		

D745,775	S *	12/2015	Provost	.....	D3/205
D895,268	S *	9/2020	Goeder	.....	D3/205
D895,960	S *	9/2020	Goeder	.....	D3/205
D908,960	S *	1/2021	Ramm	.....	D3/205
2003/0101525	A1 *	6/2003	Belloli	.....	A45D 27/22
					15/160

(Continued)

*Primary Examiner* — Charles D Hanson  
(74) *Attorney, Agent, or Firm* — John M. Lipchitz

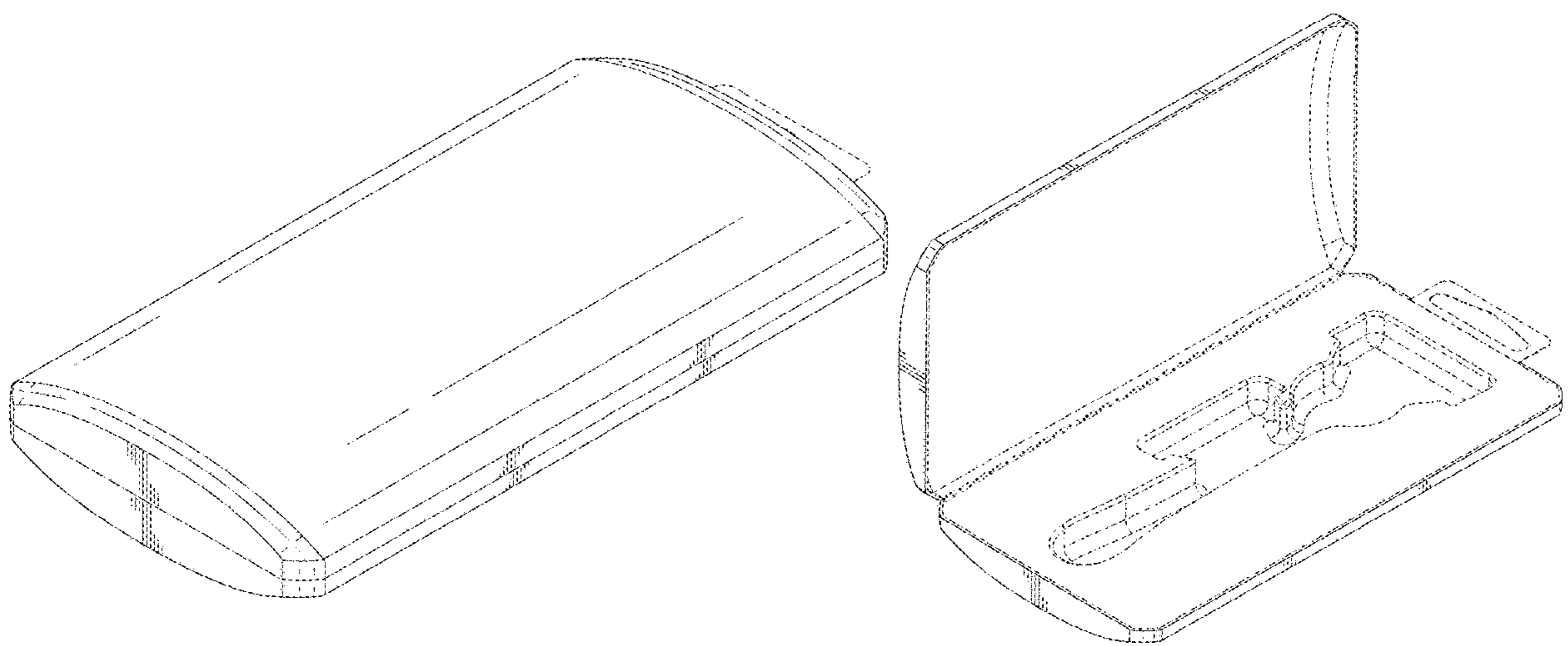
(57) **CLAIM**

The ornamental design for a shaving razor organizer, as shown and described.

**DESCRIPTION**

FIG. 1 is a front perspective view of a design for a shaving razor organizer of the present invention in a closed position; FIG. 2 is a front view thereof; FIG. 3 is a rear view thereof; FIG. 4 is a right side view thereof; FIG. 5 is a left side view thereof; FIG. 6 is a top view thereof; FIG. 7 is a bottom view thereof; FIG. 8 is a rear perspective view thereof; FIG. 9 is a front perspective view of a design for a shaving razor organizer of the present invention in an open position; FIG. 10 is a front view thereof; FIG. 11 is a rear view thereof; FIG. 12 is a right side view thereof; FIG. 13 is a left side view thereof; FIG. 14 is a top view thereof; FIG. 15 is a bottom view thereof; FIG. 16 is a rear perspective view thereof; and, FIG. 17 is a second front perspective view. The dash broken lines are directed to the environment and are for illustrative purposes only and form no part of the claimed design.

**1 Claim, 14 Drawing Sheets**



(56)

**References Cited**

U.S. PATENT DOCUMENTS

2003/0209457 A1\* 11/2003 Coffin ..... B26B 21/4037  
206/352  
2005/0218033 A1\* 10/2005 Curtis ..... A45D 27/22  
190/110  
2011/0119923 A1\* 5/2011 Nicoll ..... A45D 27/22  
30/526  
2015/0047481 A1\* 2/2015 Nicoll ..... B26B 21/4018  
83/22  
2015/0059197 A1\* 3/2015 Sassano ..... A45D 27/48  
34/80  
2018/0079581 A1\* 3/2018 Marquette ..... A45D 27/225  
2018/0160790 A1\* 6/2018 Swatty ..... A45D 27/225  
2021/0259384 A1\* 8/2021 McGarry ..... A45D 27/225

\* cited by examiner

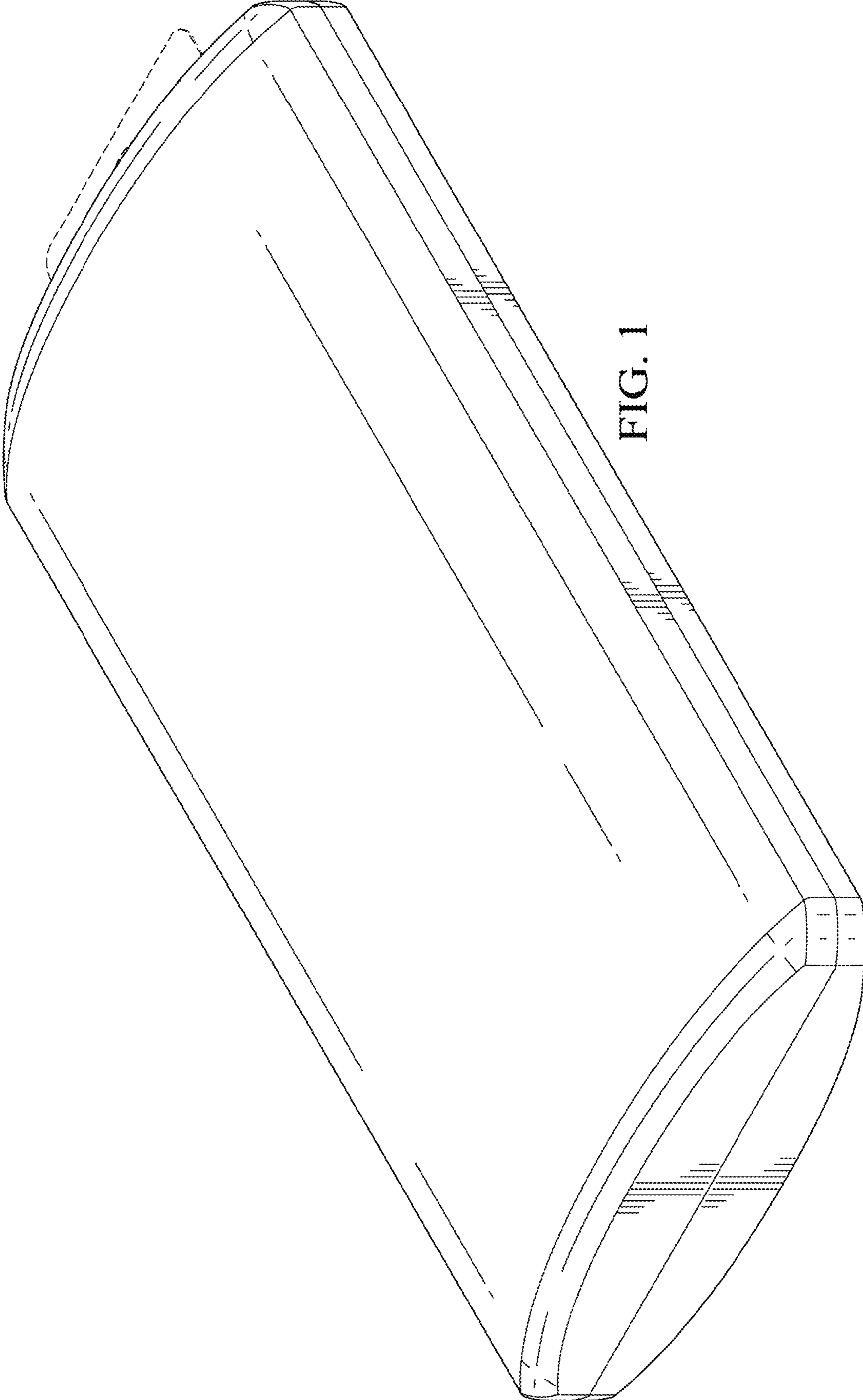


FIG. 1

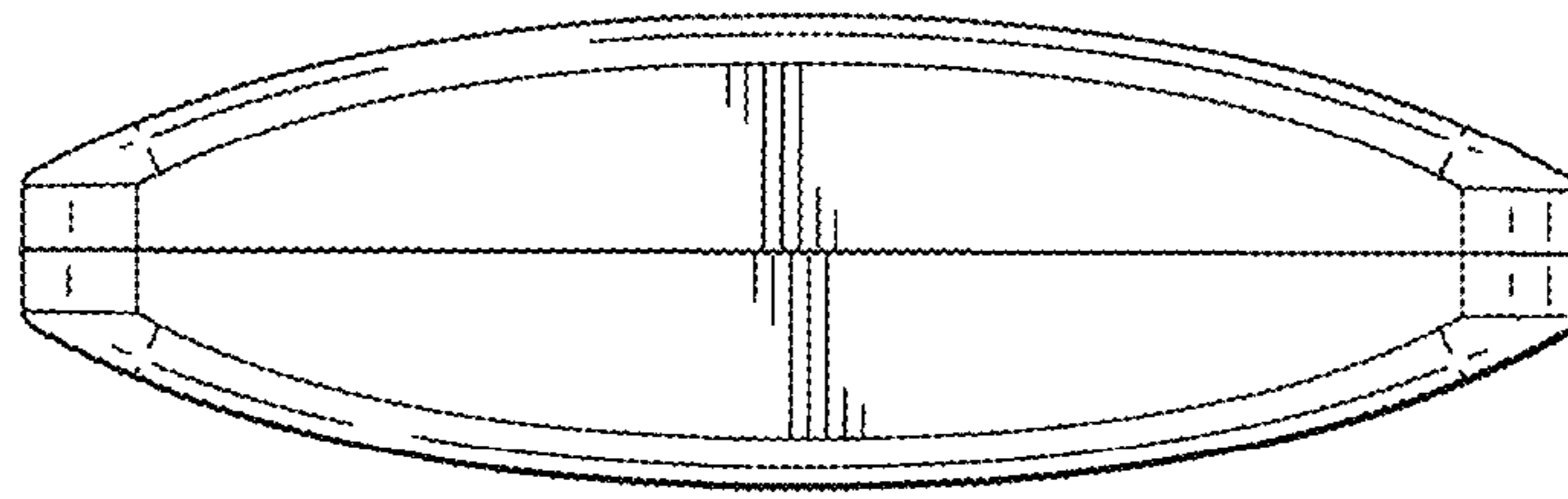


FIG. 2

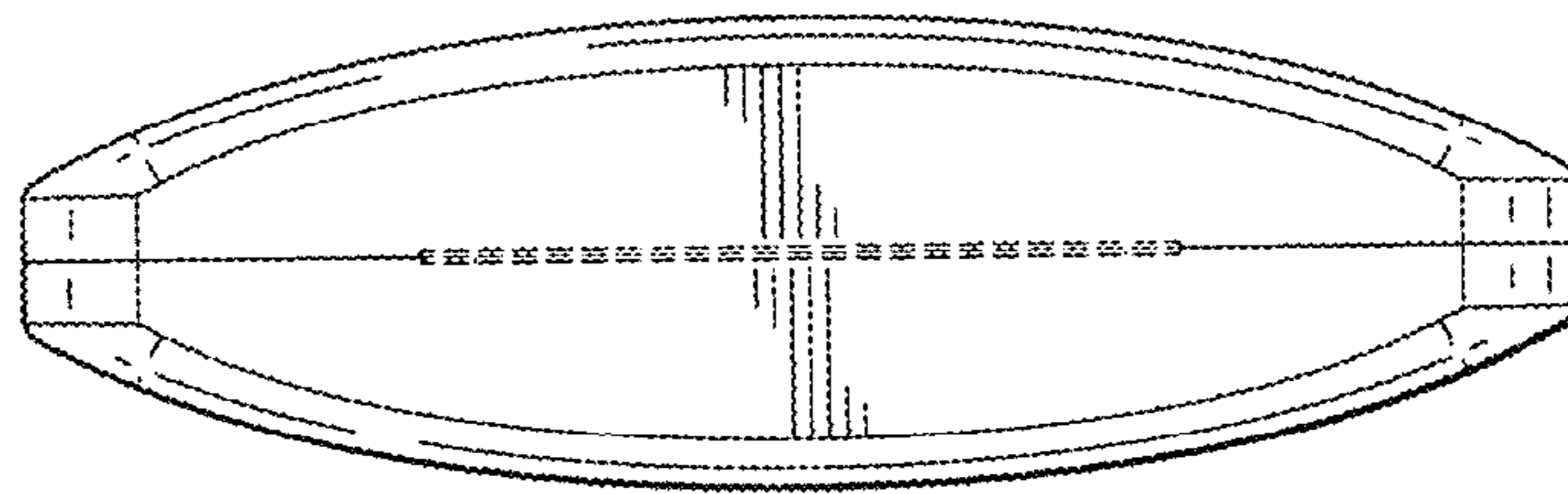


FIG. 3

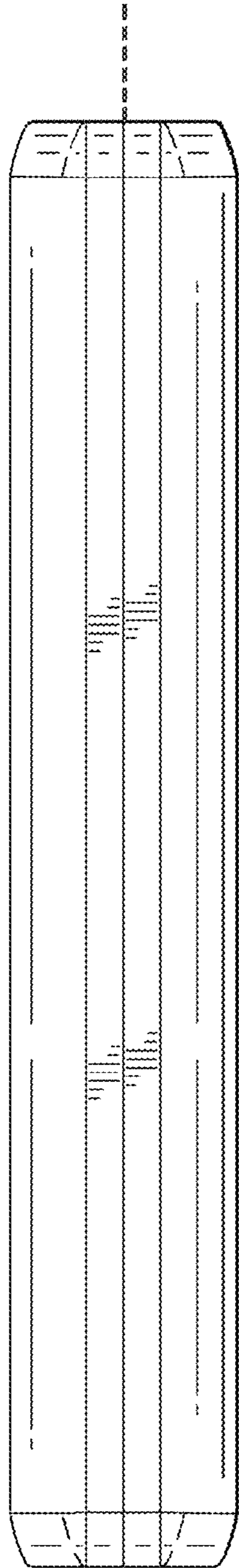


FIG. 4

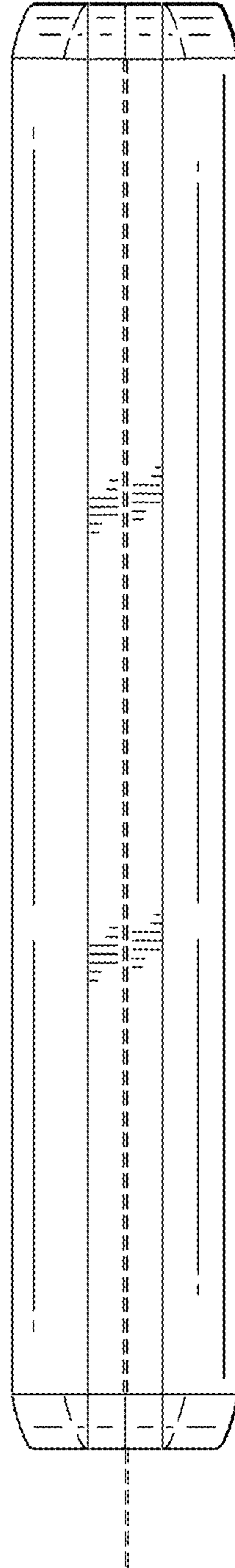


FIG. 5



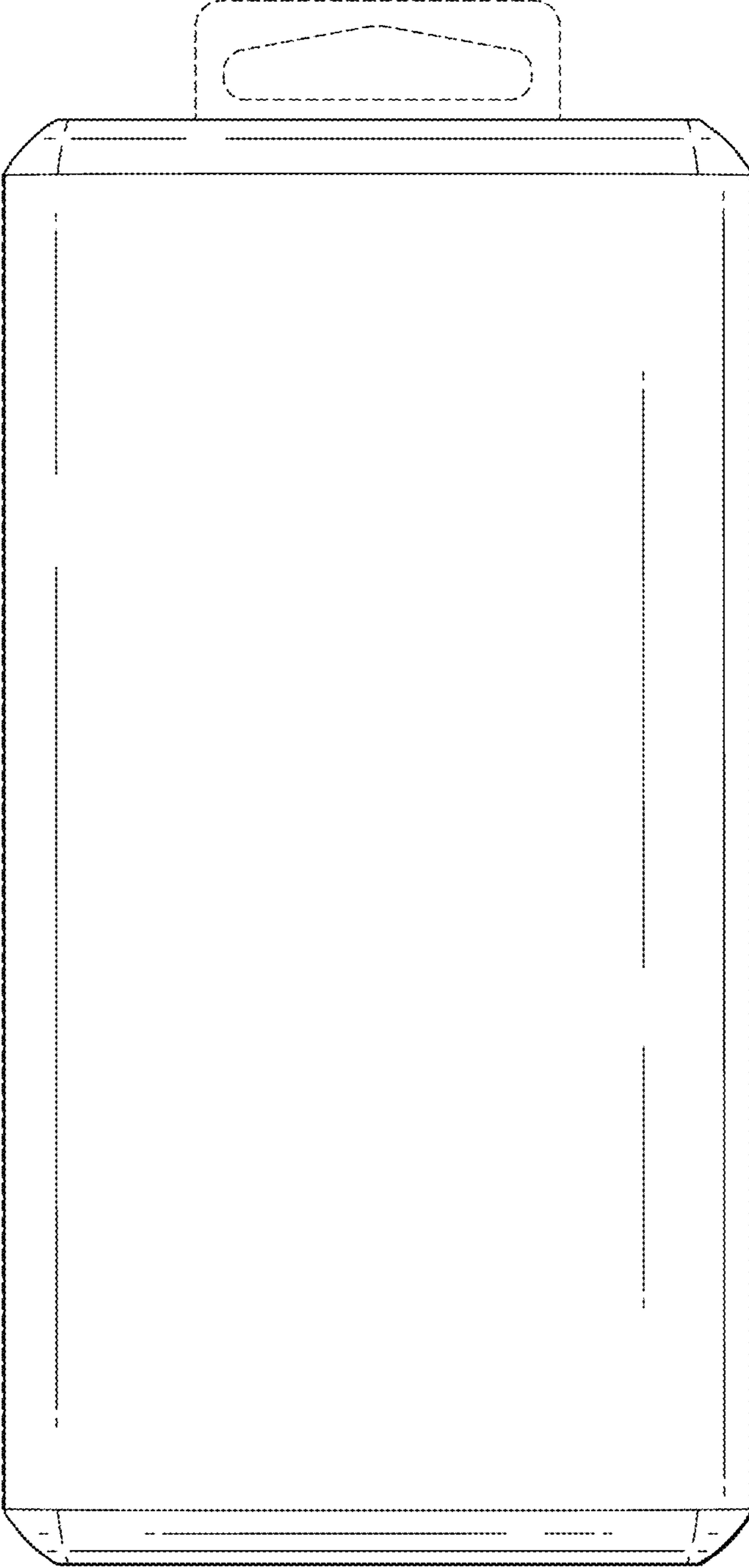


FIG. 6

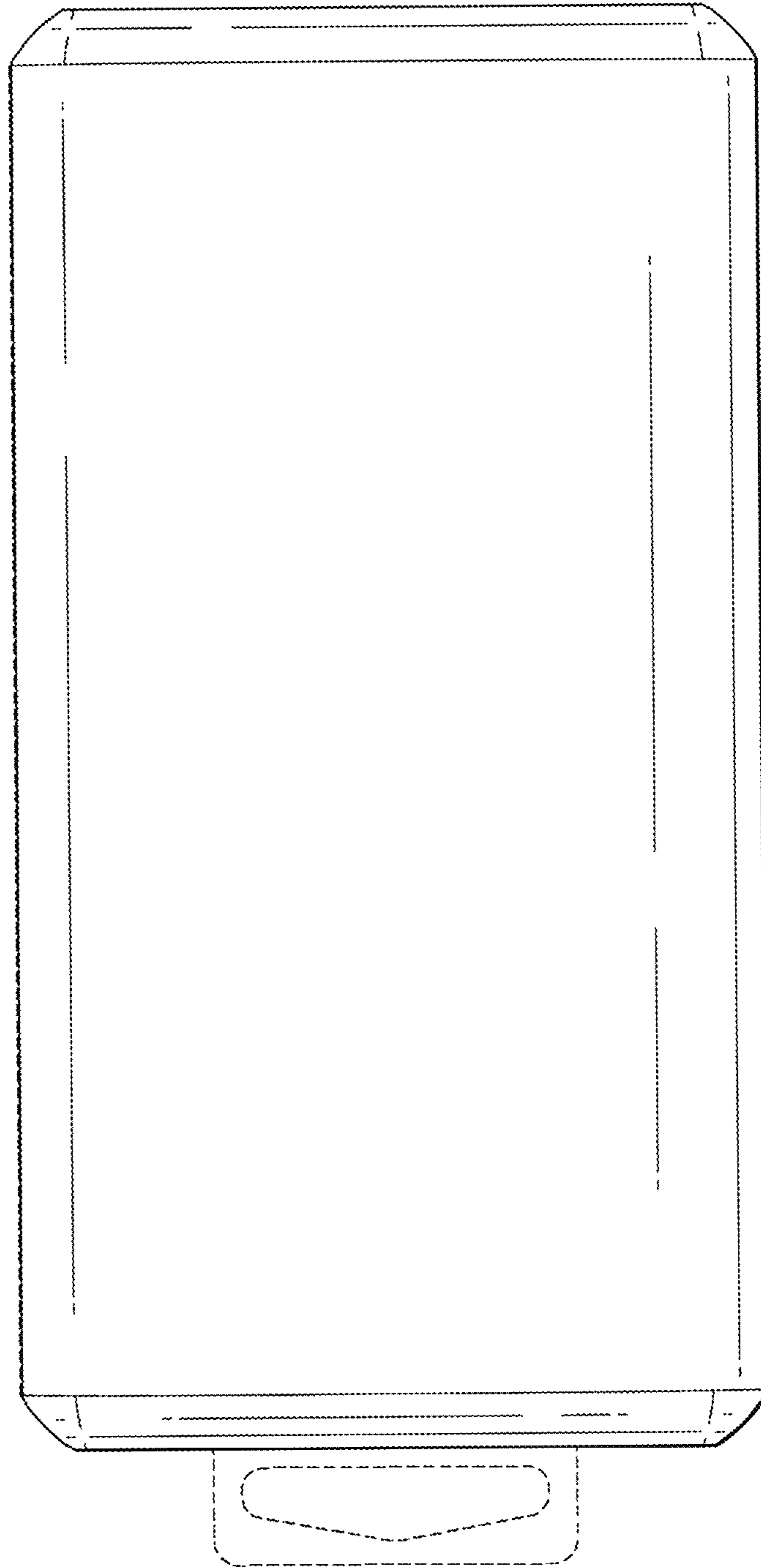


FIG. 7

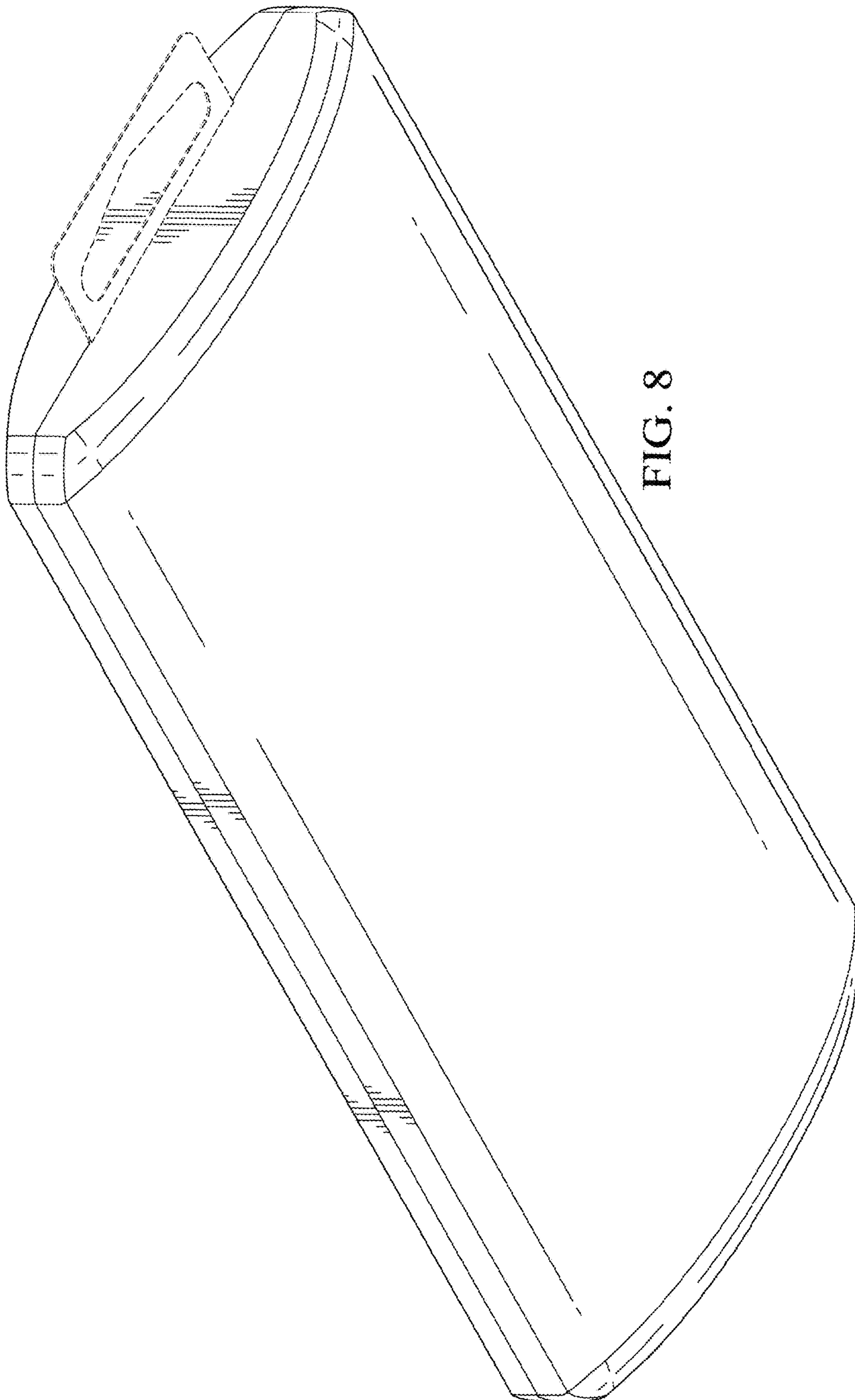


FIG. 8



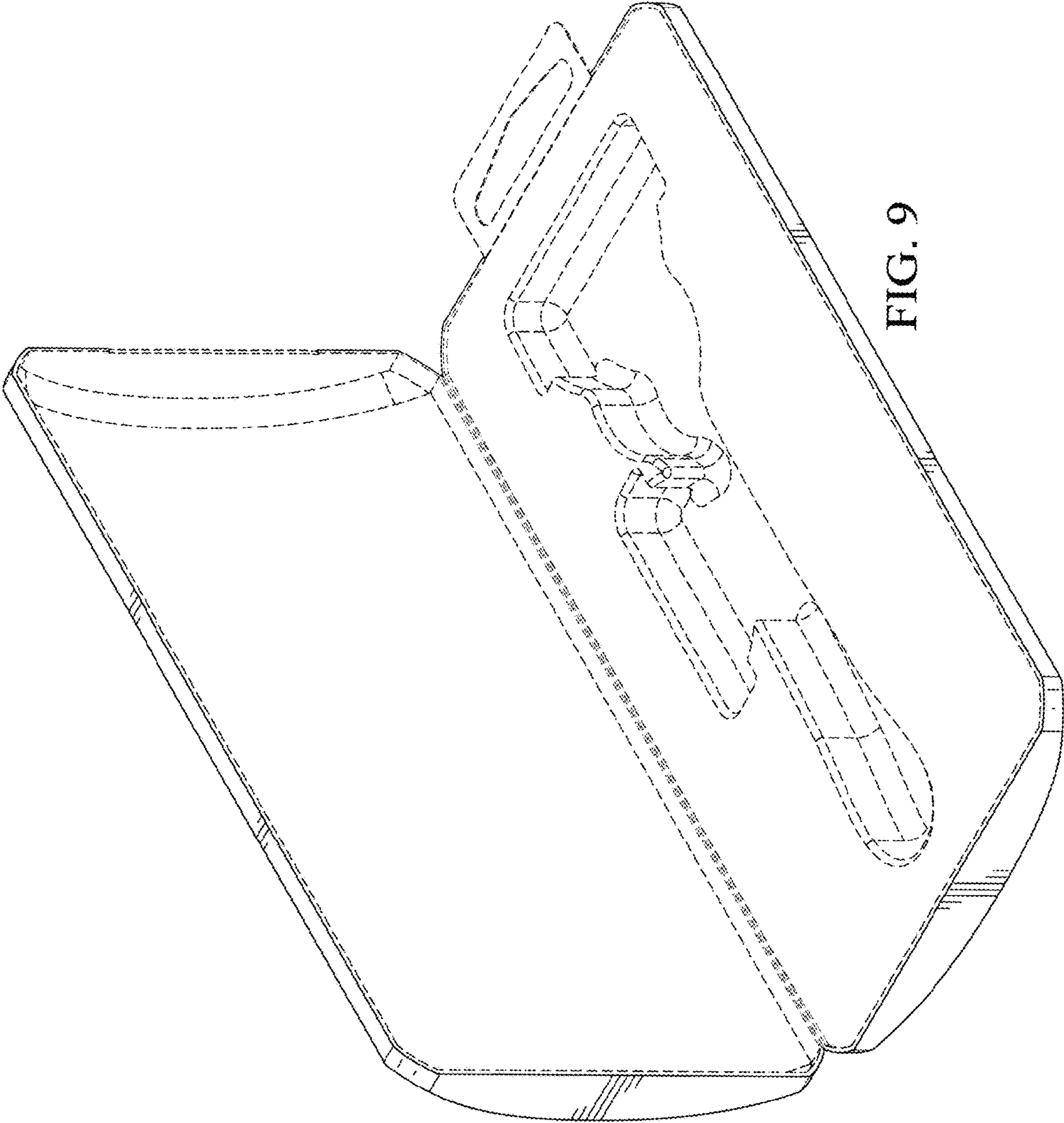


FIG. 9

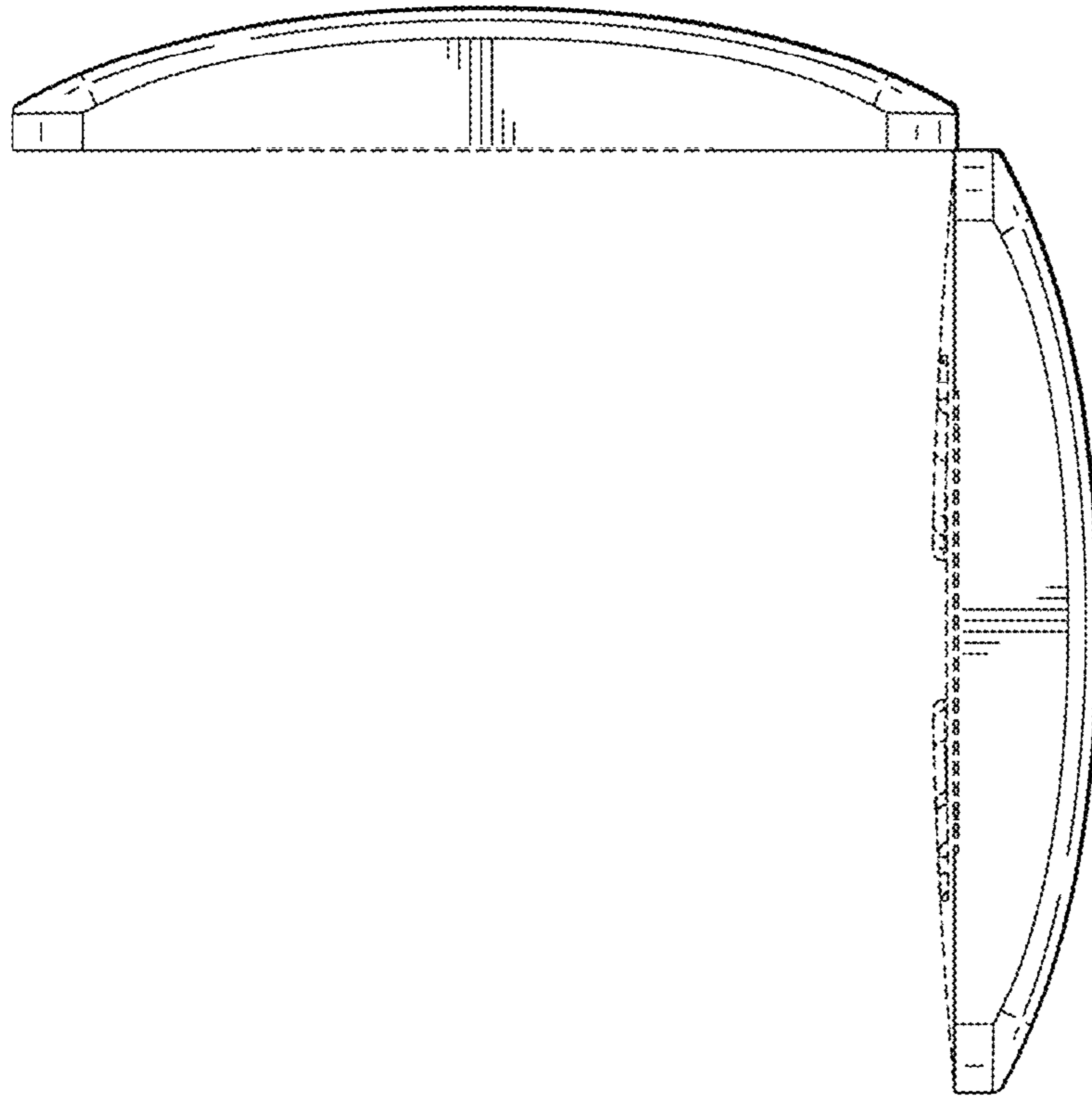


FIG. 11

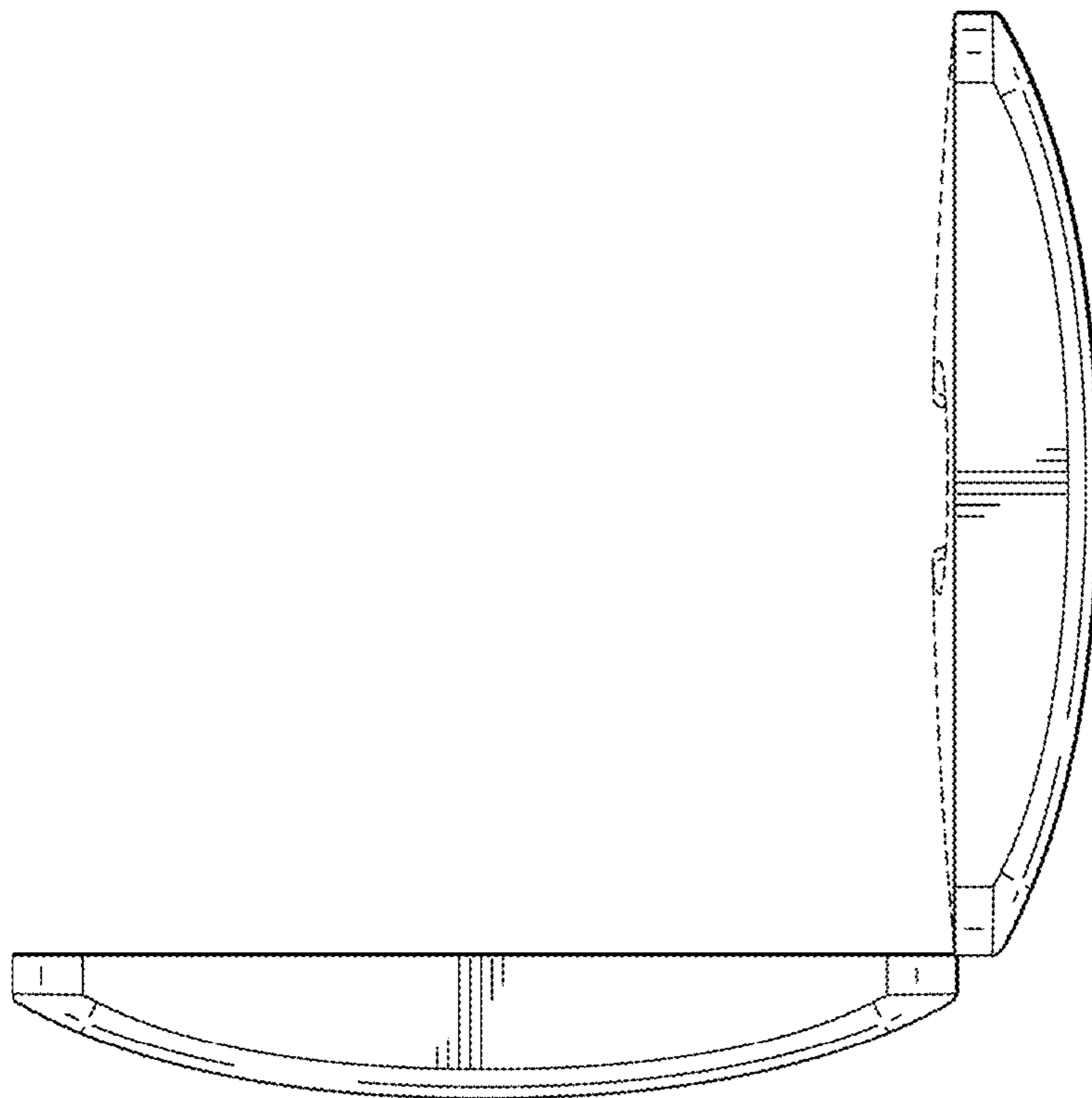


FIG. 10

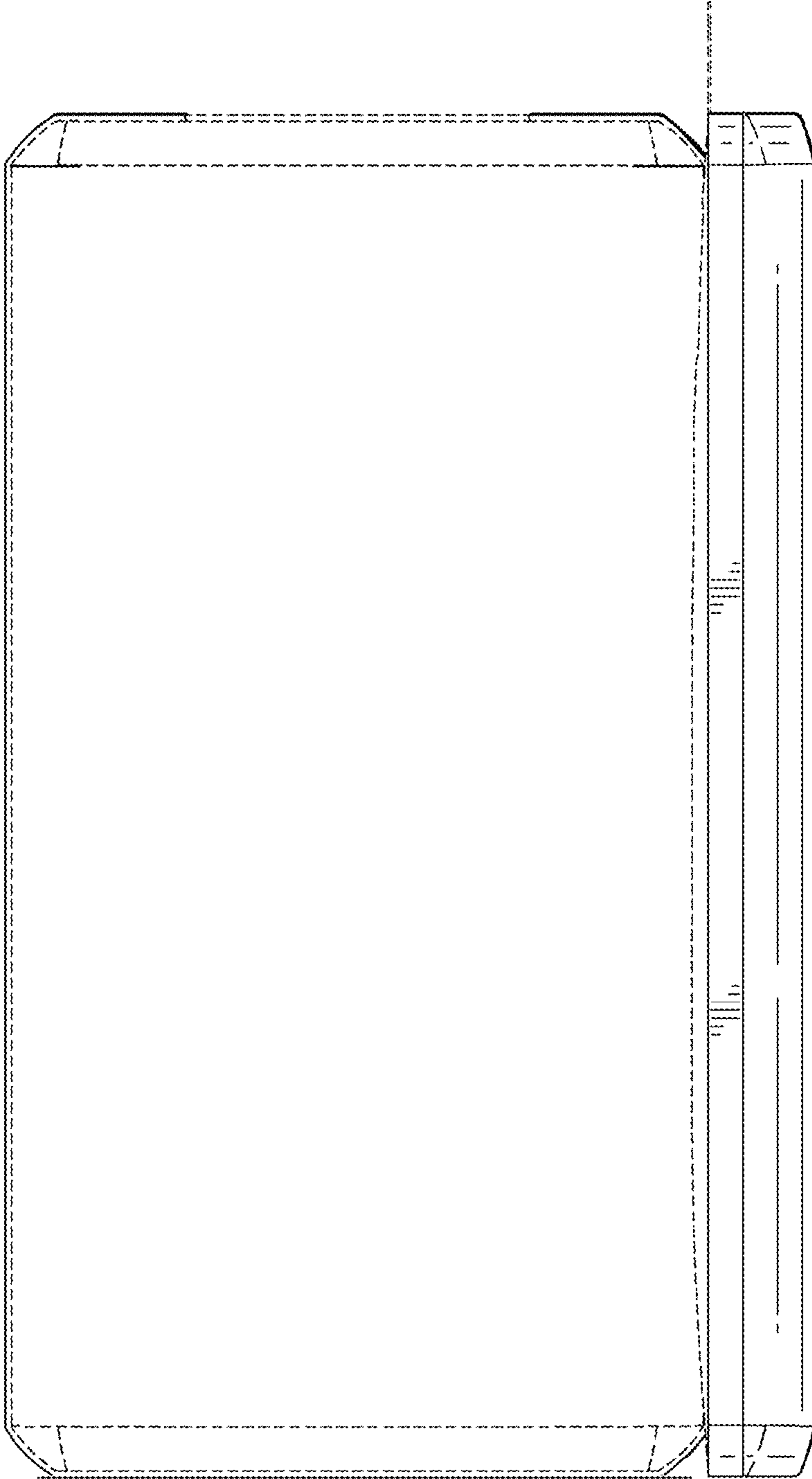


FIG. 12

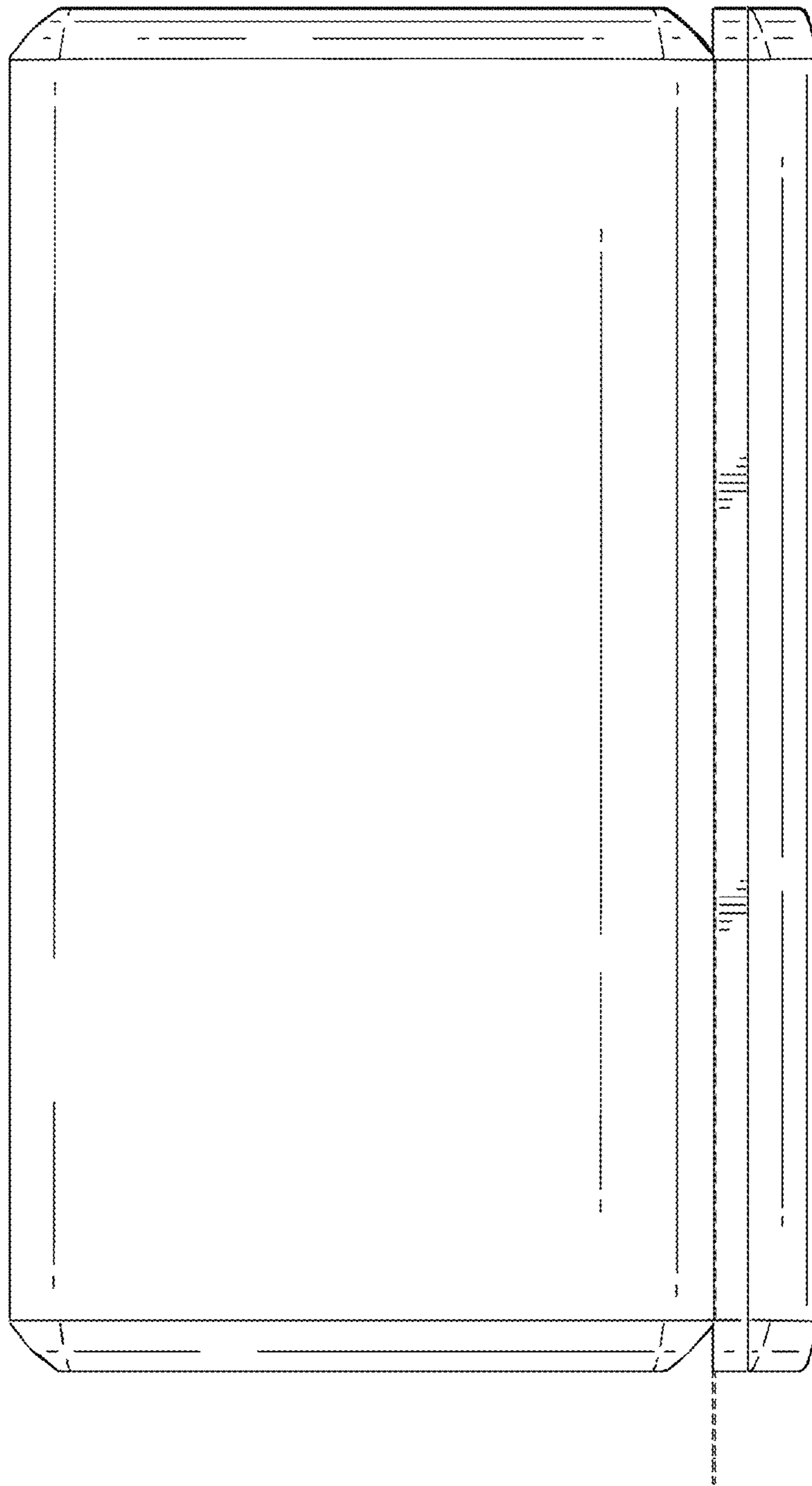


FIG. 13

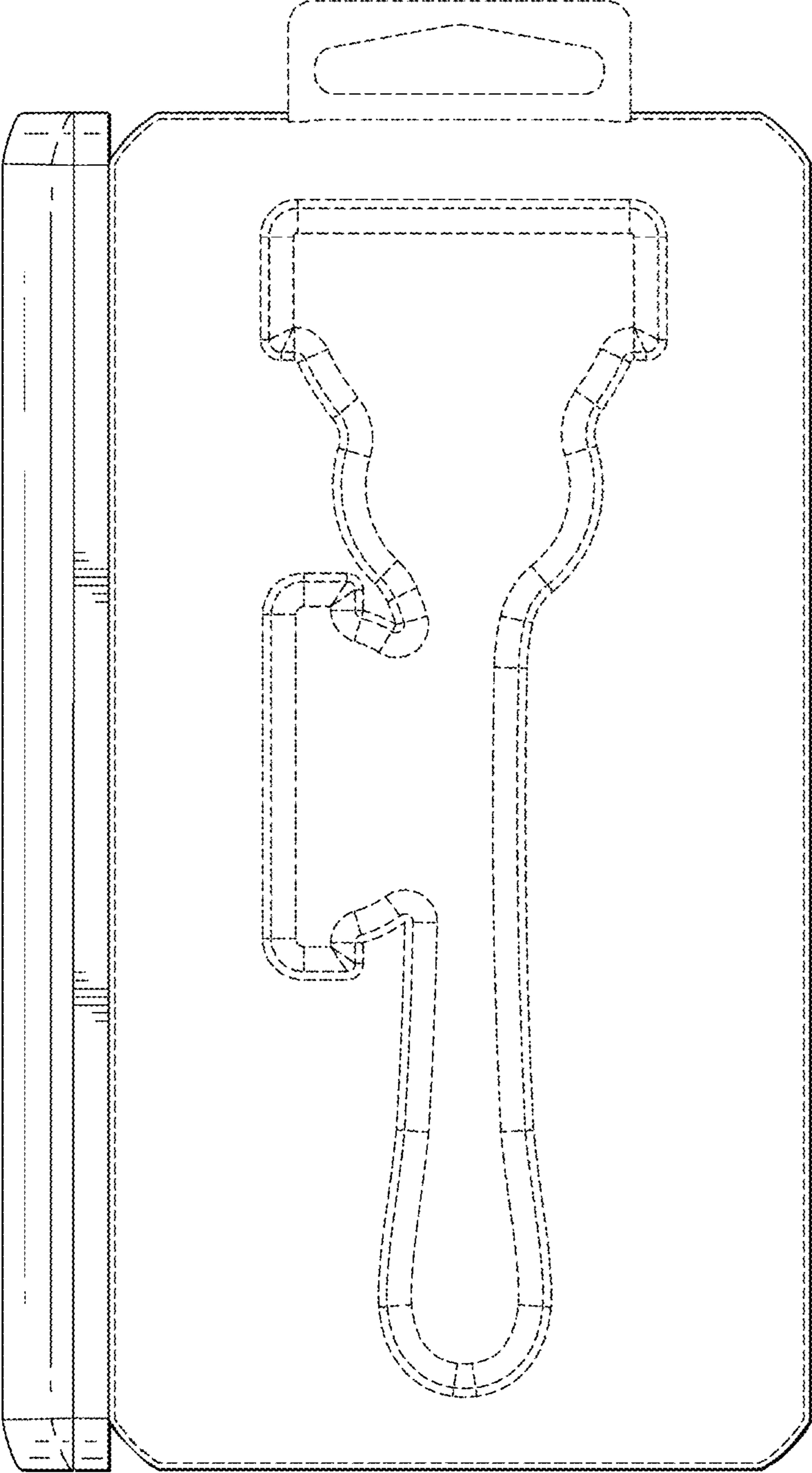


FIG. 14

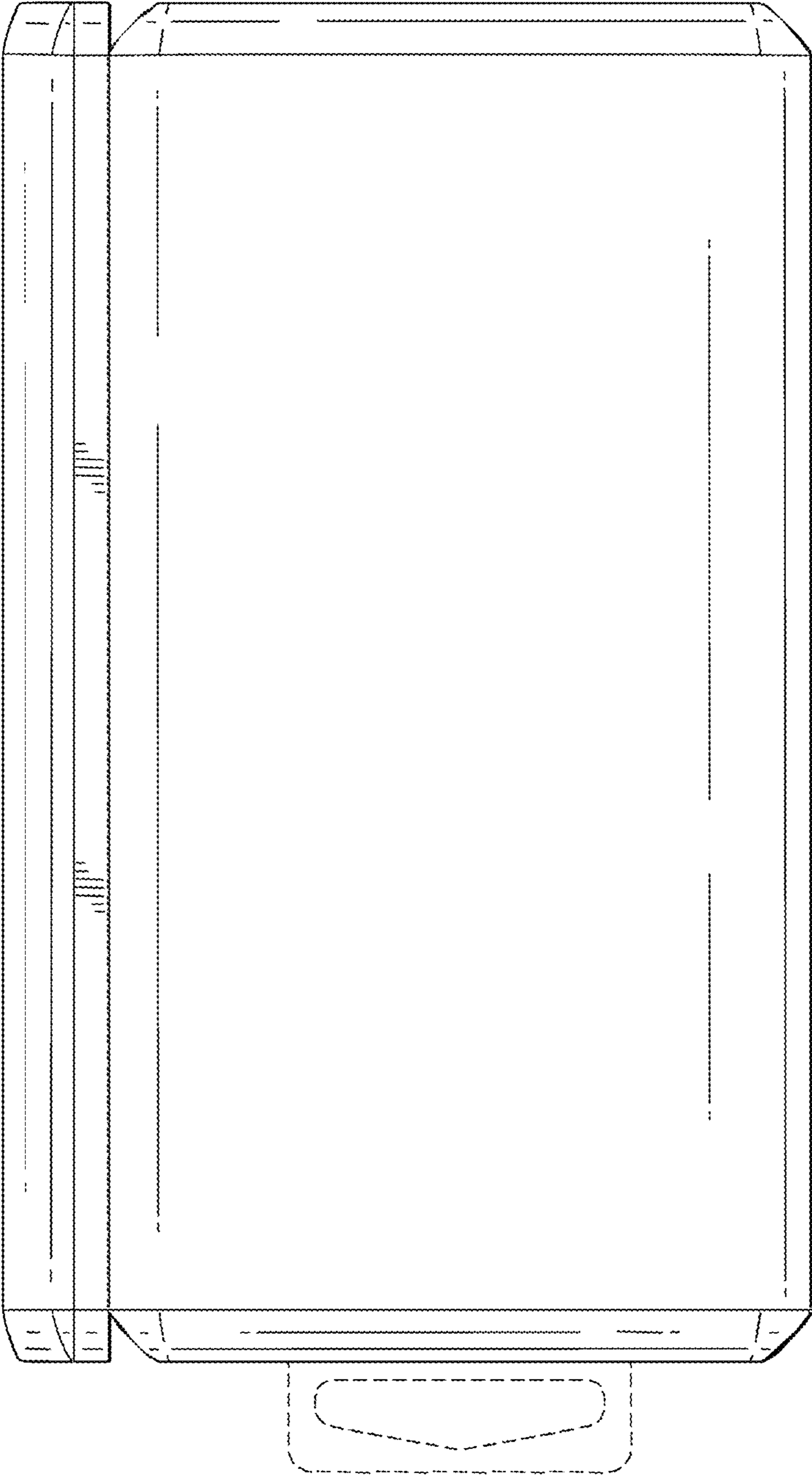


FIG. 15



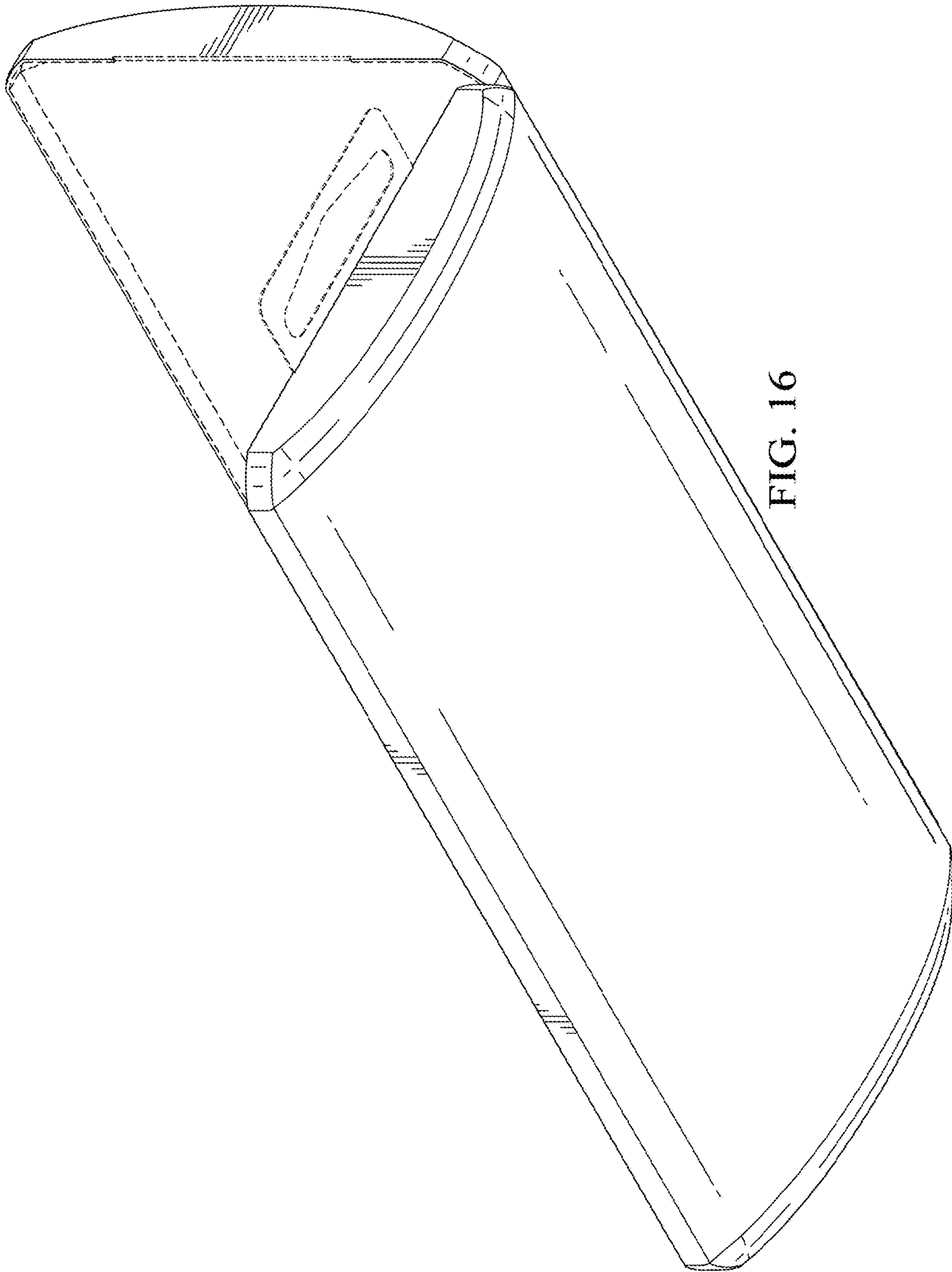


FIG. 16

