



US00D986580S

(12) **United States Design Patent**  
**Gupta**

(10) **Patent No.:** **US D986,580 S**

(45) **Date of Patent:** **\*\* May 23, 2023**

(54) **THREAD CONDITIONER WITH CUTTER**

FOREIGN PATENT DOCUMENTS

(71) Applicant: **Nikhil Gupta**, Schaumburg, IL (US)

CN 306159556 \* 11/2020

(72) Inventor: **Nikhil Gupta**, Schaumburg, IL (US)

OTHER PUBLICATIONS

(\*\*) Term: **15 Years**

Redhandledscissors.com, Site visited Feb. 15, 2023, "Ode to Thread Heaven: Savior of My Hands and My Sanity," published on May 6, 2015 features the Thread Haven Conditioner, <https://www.redhandledscissors.com/2015/05/06/ode-to-thread-heaven/> (Year: 2015).\*

(21) Appl. No.: **29/769,455**

(22) Filed: **Feb. 5, 2021**

(51) **LOC (14) Cl.** ..... **02-07**

(Continued)

(52) **U.S. Cl.**  
USPC ..... **D3/23**

(58) **Field of Classification Search**  
USPC ..... D3/18–29; D28/10; D15/127, 139  
CPC ..... D06M 10/04; D05B 91/12; D05B 91/14;  
D05B 91/16; D05B 87/00; D01G 33/00;  
D05C 1/065; B65D 81/24; B65H 67/04;  
B25H 3/02; B23D 35/001; B07C 7/04;  
A41H 43/00; A47F 1/04

*Primary Examiner* — Brett Miller  
*Assistant Examiner* — Jessica M Gebhart  
(74) *Attorney, Agent, or Firm* — Dunlap Bennett & Ludwig PLLC; Anna L. Kinney

See application file for complete search history.

(57) **CLAIM**

The ornamental design for a thread conditioner with cutter, as shown.

(56) **References Cited**

**DESCRIPTION**

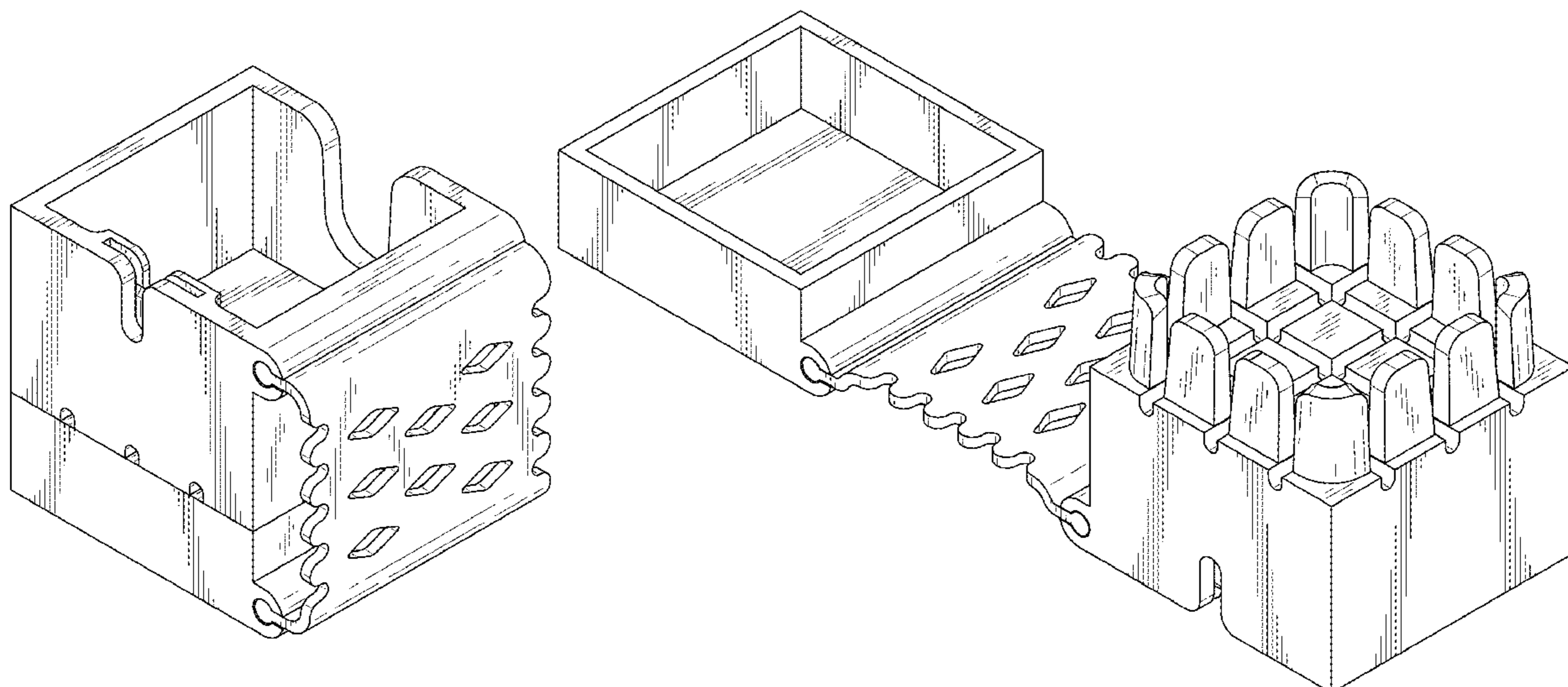
U.S. PATENT DOCUMENTS

D146,233 S *	1/1947	Rausch et al.	.....	D3/23
2,446,383 A *	8/1948	Motz	.....	D05C 1/065 223/107
D156,462 S *	12/1949	Reynolds	.....	D3/23
3,844,190 A *	10/1974	Miller	.....	B65H 67/04 83/395
4,573,751 A *	3/1986	Swank	.....	B25H 3/02 312/211
5,160,077 A *	11/1992	Sticklin	.....	A47F 1/04 225/41
5,495,950 A *	3/1996	Jellum	.....	B07C 7/04 209/703
6,360,519 B1 *	3/2002	Hoover	.....	D01G 33/00 57/22
D834,298 S *	11/2018	Waller	.....	D3/20
2014/0182441 A1 *	7/2014	Pisczak	.....	B23D 35/001 83/694

FIG. 1 is a bottom perspective view of the thread conditioner with cutter in a closed position;  
FIG. 2 is a front view of the thread conditioner with cutter of FIG. 1;  
FIG. 3 is a back view of the thread conditioner with cutter of FIG. 1;  
FIG. 4 is a right side view of the thread conditioner with cutter of FIG. 1;  
FIG. 5 is a left side view of the thread conditioner with cutter of FIG. 1;  
FIG. 6 is a bottom plan view the thread conditioner with cutter of FIG. 1,  
FIG. 7 is a top plan view of the thread conditioner with cutter of FIG. 1; and,  
FIG. 8 is a top perspective view of the thread conditioner with cutter of FIG. 1 in an open position.

(Continued)

**1 Claim, 5 Drawing Sheets**



(56)

**References Cited**

U.S. PATENT DOCUMENTS

2019/0085491 A1\* 3/2019 Polite ..... D05B 91/16

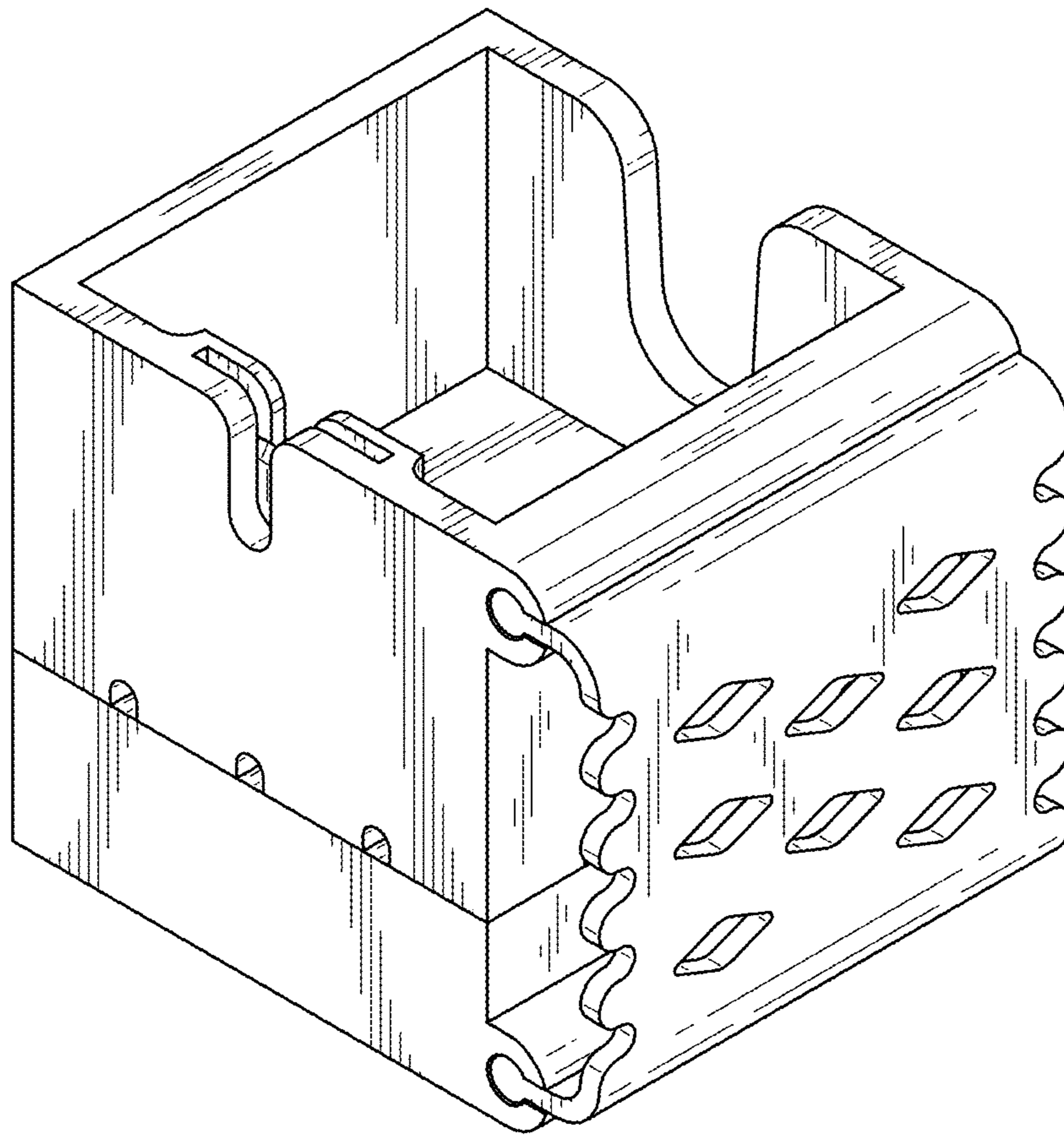
OTHER PUBLICATIONS

Amazon.com, Site visited Feb. 14, 2023, Taylor Seville Magic Cube Thread Conditioner, First available Apr. 19, 2016, <https://www.amazon.com/GHI-214149-Thread-Magic-Cube/dp/B01EJ3TD2O> (Year: 2016).\*

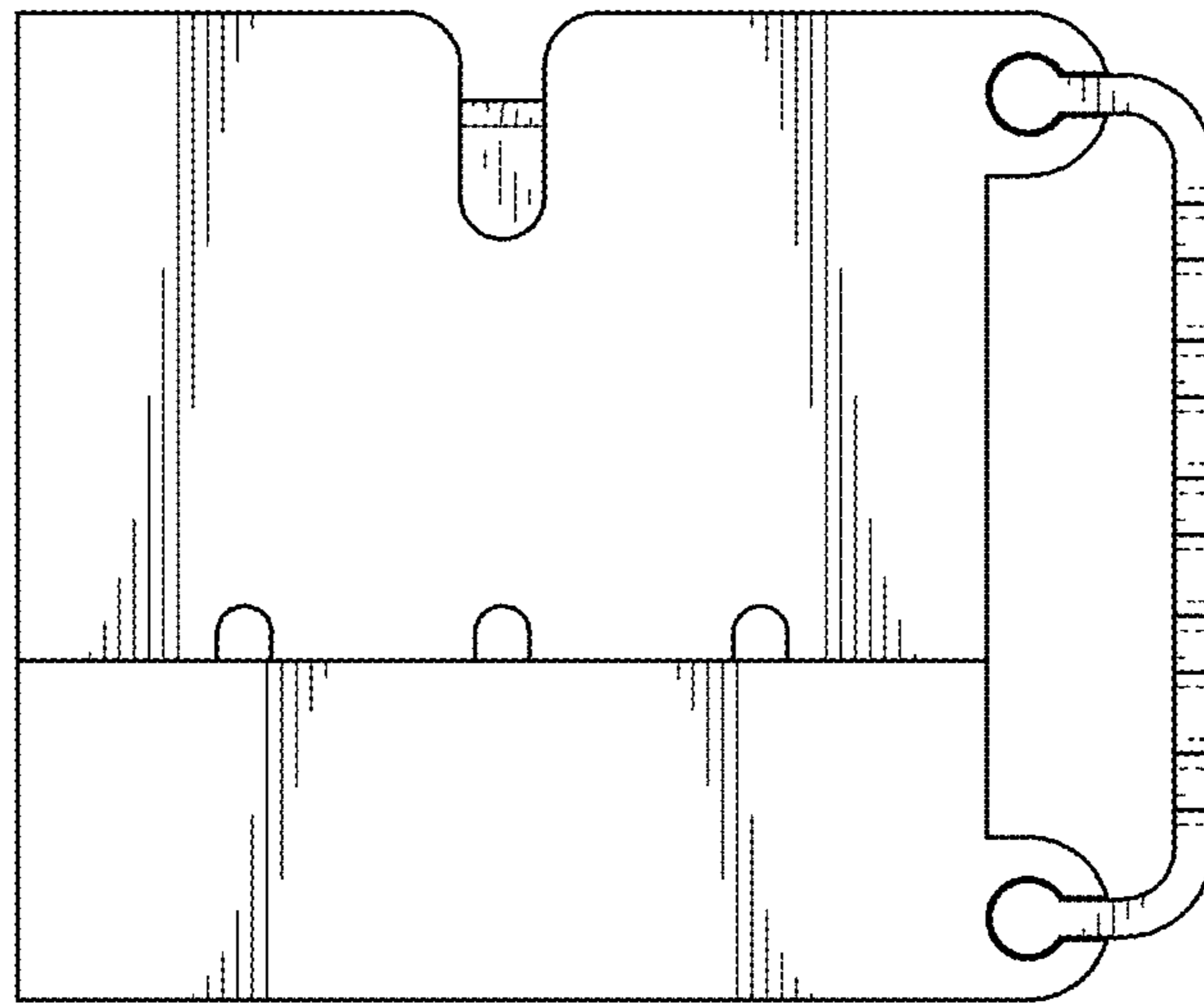
Amazon.com, Site visited Feb. 15, 2023 Sunflower Quilts Original Thread Cutter, first available Dec. 21, 2017, <https://www.amazon.com/Original-Thread-Cutter-Sunflower-Quilts/dp/B078JSHG6W> (Year: 2017).\*

\* cited by examiner

FIG. 1



*FIG. 2*



*FIG. 3*

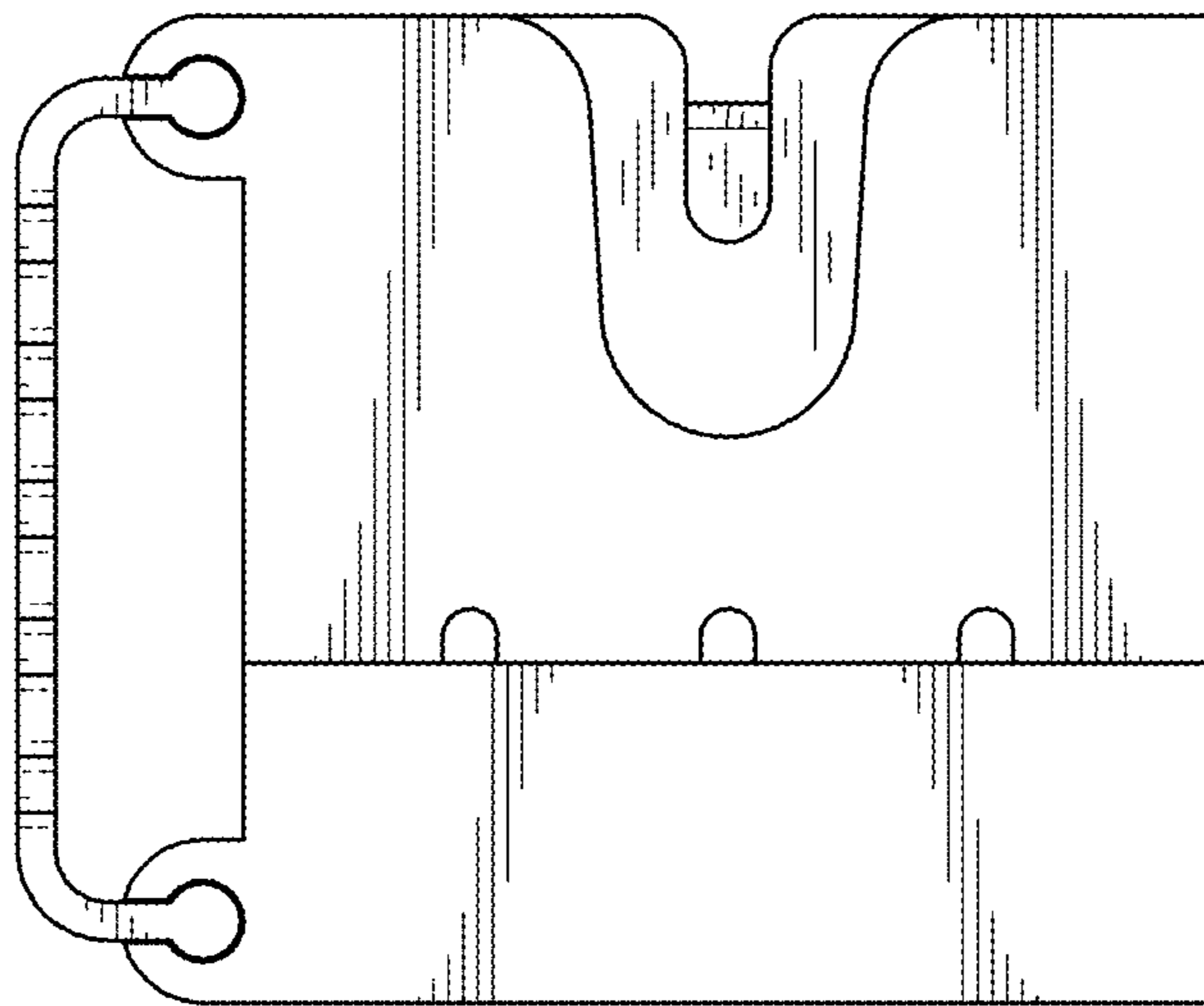


FIG. 4

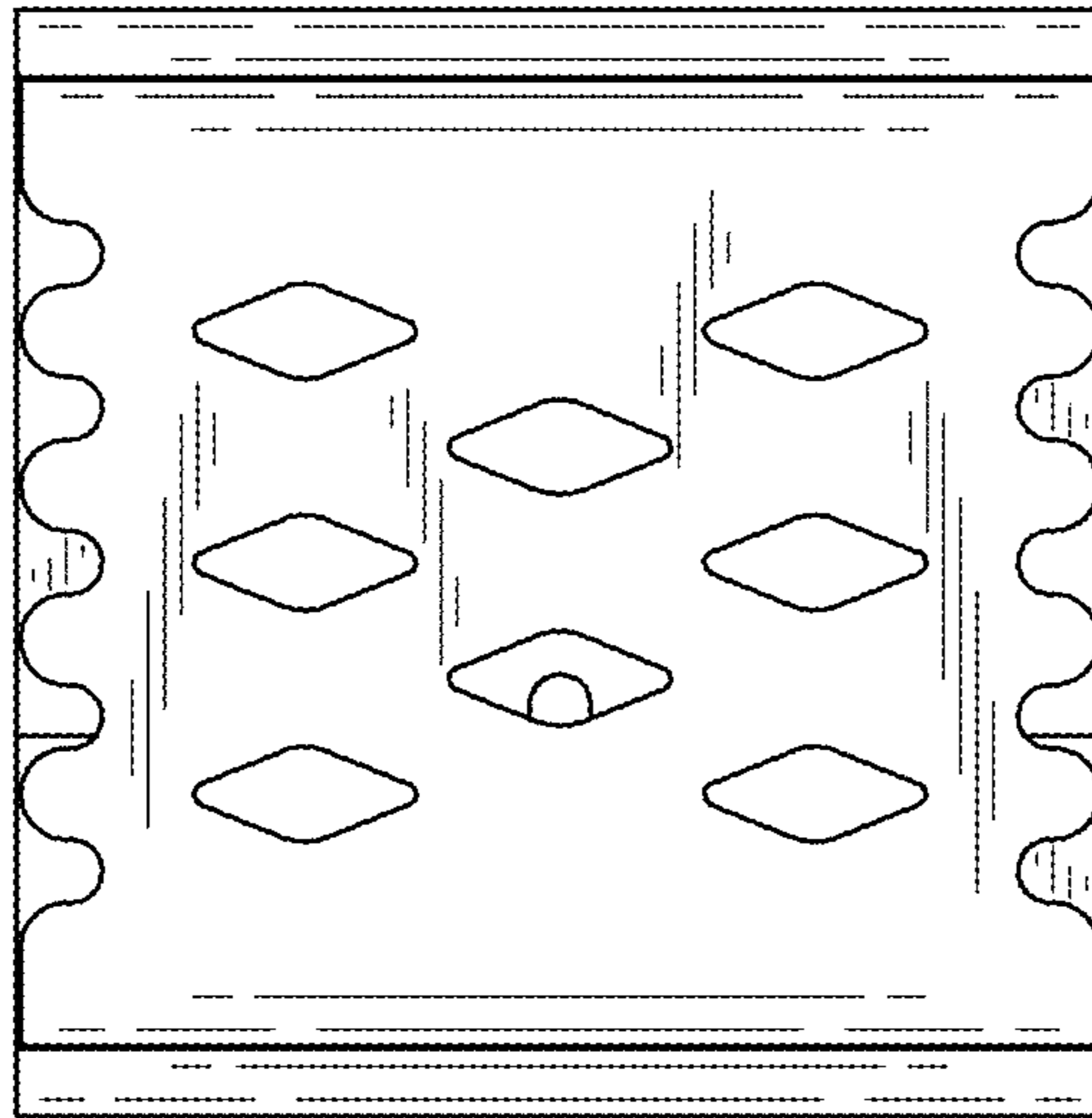
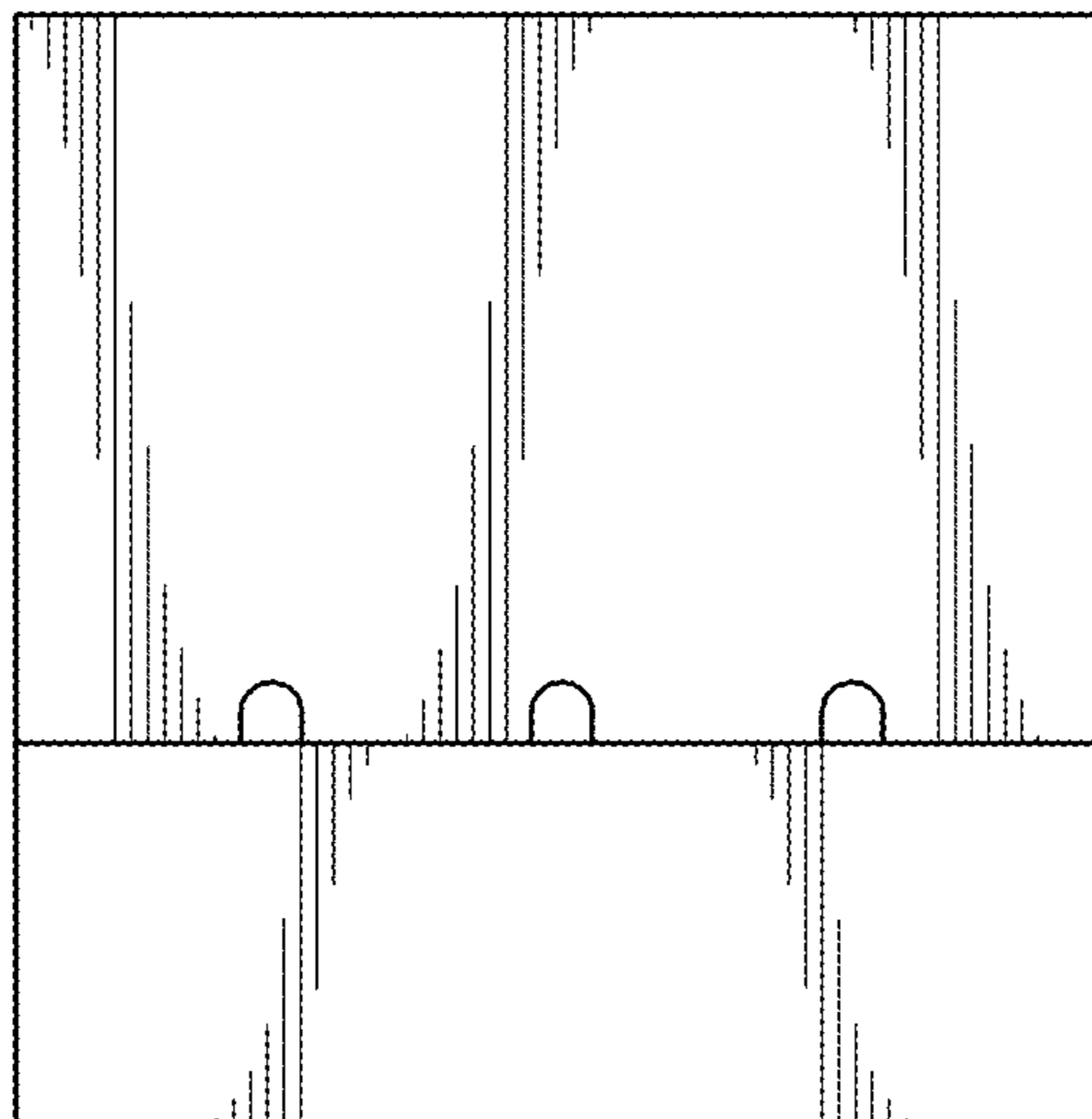
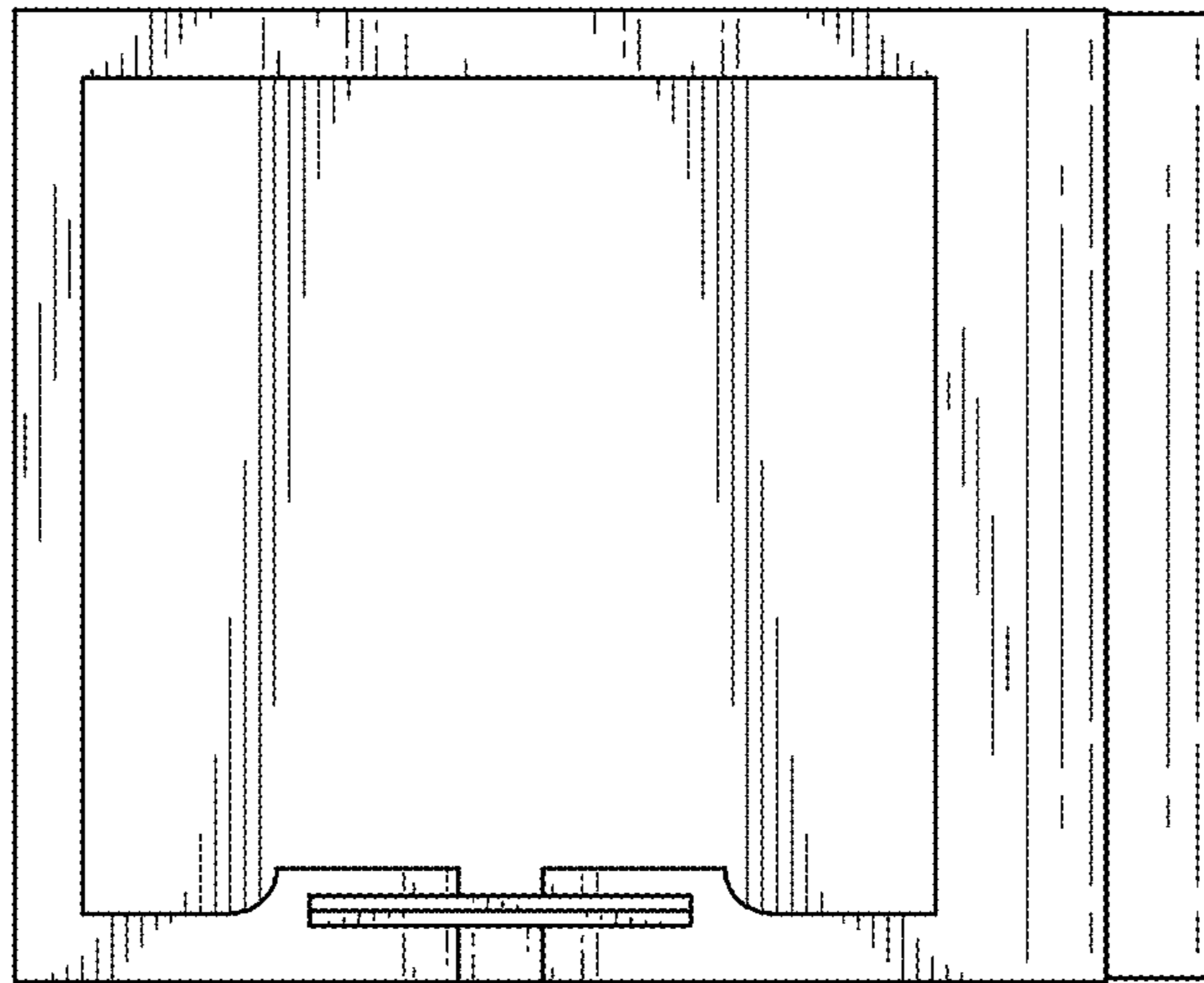


FIG. 5





*FIG. 6*



*FIG. 7*

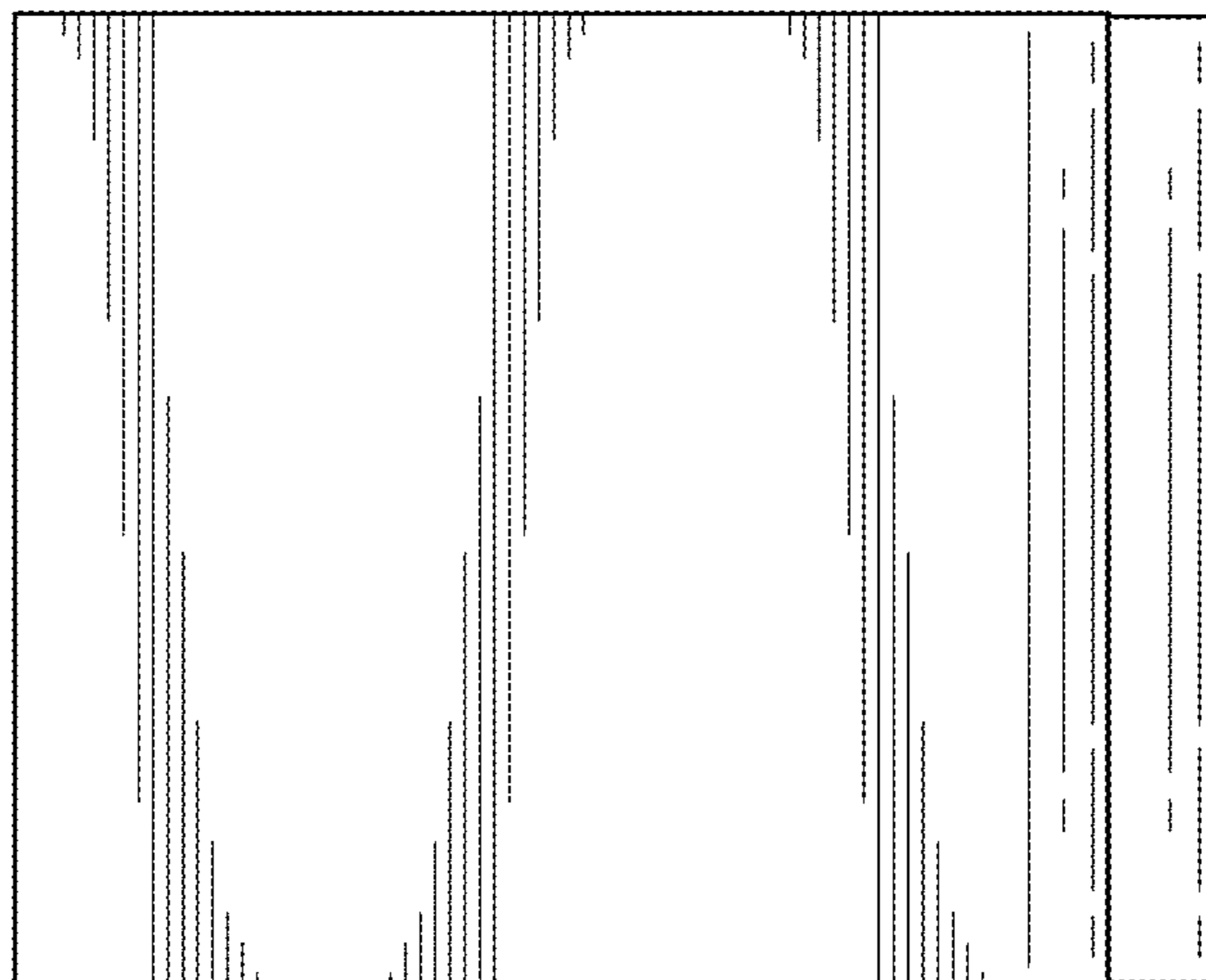


FIG. 8

