



US00D986574S

(12) **United States Design Patent**
Tja et al.

(10) **Patent No.:** **US D986,574 S**
(45) **Date of Patent:** **** May 23, 2023**

(54) **ACCESSORY FOR FOOTWEAR**

(71) Applicant: **Skechers U.S.A., Inc. II**, Manhattan Beach, CA (US)

(72) Inventors: **Johnson Tja**, Medan (ID); **Hui Xie**, Dongguan (CN)

(73) Assignee: **Skechers U.S.A., Inc. II**, Manhattan Beach, CA (US)

(**) Term: **15 Years**

(21) Appl. No.: **29/826,026**

(22) Filed: **Feb. 8, 2022**

(51) **LOC (14) Cl.** **02-07**

(52) **U.S. Cl.**
USPC **D2/976; D2/946**

(58) **Field of Classification Search**
USPC D2/641, 902-905, 909, 916, 924, 925,
D2/946, 962, 970-976, 978; D8/86, 349,
D8/356, 387, 397; D11/200, 220, 222,
D11/226

CPC A43B 23/24; A43B 3/102; A43B 3/0078;
A43C 1/00; G09F 7/06

See application file for complete search history.

(56) **References Cited**

U.S. PATENT DOCUMENTS

124,512	A *	3/1872	Rand	A43C 1/00 24/713.4
D25,136	S *	2/1896	Shuman	D11/226
2,174,521	A *	10/1939	Lancaster	A44B 1/30 D11/220
D176,154	S *	11/1955	Petitclair	D11/226
2,814,047	A *	11/1957	Lev	A42B 1/0181 2/8.1
2,904,903	A *	9/1959	Kardon	A43B 5/02 36/134
3,028,646	A	4/1962	Janes		

(Continued)

FOREIGN PATENT DOCUMENTS

GB 6224084 * 9/2022
NZ 408237-0001 * 7/2007

Primary Examiner — Jonathan J Han

Assistant Examiner — Amanda J Berlinski

(74) *Attorney, Agent, or Firm* — Marshall A. Lerner;
Steven J. Kim; Kleinberg & Lerner, LLP

(57) **CLAIM**

The ornamental design for an accessory for footwear, as shown and described.

DESCRIPTION

FIG. 1 is a perspective view of an accessory for footwear, comprised of a backing component and a base component, shown with an ornament and attached to a shoe;

FIG. 2 is a perspective view of the accessory for footwear shown with an ornament attached;

FIG. 3 is a left side view of the accessory for footwear shown without an ornament attached;

FIG. 4 is a right side view thereof;

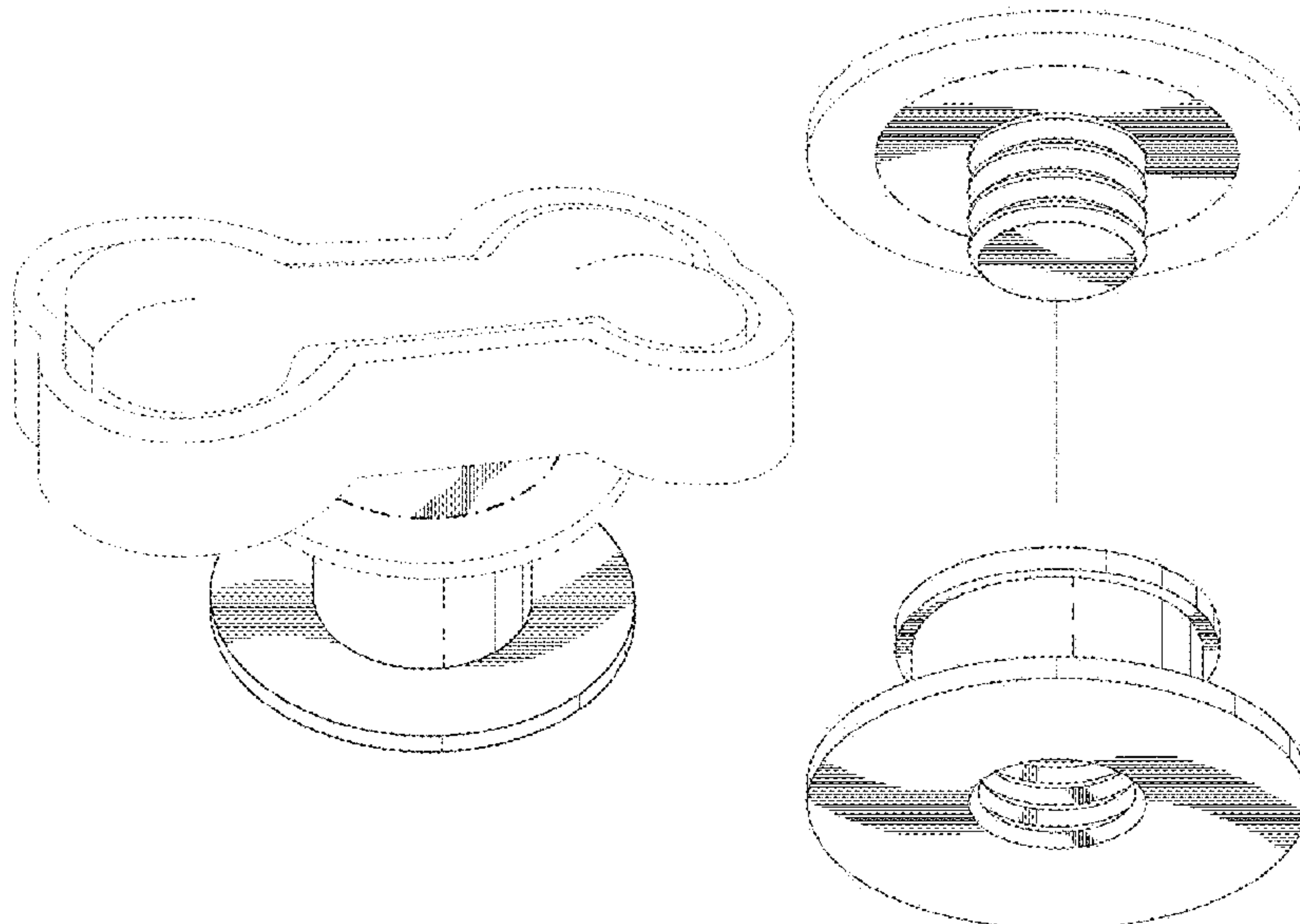
FIG. 5 is a top plan view thereof;

FIG. 6 is a bottom plan view thereof;

FIG. 7 is an exploded perspective view thereof, showing the backing component and the base component separated; and, FIG. 8 is a top plan view of the base thereof, separated from the backing component.

The dash-dash broken lines in the drawings show a shoe and additionally represent portions of the accessory for footwear that form no part of the claimed design. The dot-dot-dash broken lines in the drawings are included to represent the relationship between portions of the article and form no part of the claimed design. The dot-dash broken lines in the drawings define the bounds of the claimed design and form no part thereof. The surfaces devoid of shading lines form no part of the claim.

1 Claim, 8 Drawing Sheets



(56)

References Cited

U.S. PATENT DOCUMENTS

3,141,211 A * 7/1964 Blake A43B 23/24
24/114.9
4,125,918 A 11/1978 Baumann
4,724,628 A * 2/1988 Schreiner A43D 999/00
2/245
D303,234 S * 9/1989 Smith 24/1
D328,241 S * 7/1992 Longstreet D8/356
D335,266 S * 5/1993 Morita D11/231
5,375,345 A * 12/1994 Djuric A43B 7/082
36/3 R
D354,720 S * 1/1995 Estes D11/222
D357,576 S * 4/1995 Steinweis D8/367
D360,391 S * 7/1995 Aoki D11/220
D360,820 S * 8/1995 Haase D8/356
D365,045 S * 12/1995 Mercurio D11/220
5,560,094 A * 10/1996 Ladouceur F16B 37/065
29/512
5,564,873 A * 10/1996 Ladouceur B23P 19/062
411/179
D375,831 S * 11/1996 Perry D2/978
D377,919 S 2/1997 Singer et al.
5,601,469 A * 2/1997 Yang A63H 3/003
446/73
D380,418 S * 7/1997 Michael D11/222
D396,949 S * 8/1998 Bathum D2/962
D411,952 S * 7/1999 Alderisio, Jr. D8/387
5,940,993 A * 8/1999 Ronci A43C 15/162
36/134
D414,403 S * 9/1999 Coven F16B 37/065
D8/387
D421,677 S 3/2000 Silagy
D457,298 S * 5/2002 Rowland D2/976
6,457,264 B2 * 10/2002 Fusco A43C 15/162
D2/908
D468,190 S * 1/2003 Kennedy D8/358
D537,754 S * 3/2007 Flores D11/226
D554,847 S 11/2007 Schmelzer et al.
D578,299 S 10/2008 Dennis
D588,442 S * 3/2009 Chong D8/356
D604,940 S 12/2009 Collier
7,698,836 B2 4/2010 Schmelzer et al.
D631,242 S 1/2011 Sirdofsky et al.
D631,647 S * 2/2011 Hipshman D2/927
8,069,538 B2 12/2011 Wilcox
8,096,023 B2 * 1/2012 Orza A44B 1/28
24/104
8,122,519 B2 2/2012 Schmelzer et al.
D658,478 S * 5/2012 Wall D8/399
D679,170 S * 4/2013 Else D8/349
D699,545 S * 2/2014 Ackerman D8/349

D707,534 S * 6/2014 Crouse B23P 19/062
428/221
8,782,814 B2 7/2014 Schmelzer et al.
9,072,338 B1 * 7/2015 Kostecky A44B 1/28
24/104
D751,460 S * 3/2016 Jankowski D11/200
D796,309 S * 9/2017 Cruz D8/397
D822,979 S 7/2018 Wang et al.
D850,325 S 6/2019 Kondra
D891,293 S * 7/2020 Jo A43C 5/00
D11/200
D891,294 S * 7/2020 Jo D11/200
D898,614 S 10/2020 Hintner
D909,178 S * 2/2021 Hollingworth D8/349
D925,207 S * 7/2021 Scott D8/399
D941,133 S * 1/2022 Schmidt D8/386
D941,702 S * 1/2022 Bird D8/349
D973,477 S * 12/2022 Wu D8/387
D978,022 S * 2/2023 Lemle D11/220
2007/0084019 A1 4/2007 Wilcox et al.
2008/0120825 A1 * 5/2008 Shuart B23P 19/062
428/221
2008/0127525 A1 6/2008 Blunden et al.
2008/0155788 A1 * 7/2008 Wilcox A43B 23/24
24/3.1
2008/0263839 A1 * 10/2008 Stillwell A43B 23/24
24/713.6
2009/0091921 A1 * 4/2009 Yang A43B 23/24
362/103
2009/0107018 A1 4/2009 Schmelzer et al.
2011/0126430 A1 6/2011 Wike
2011/0225851 A1 * 9/2011 Nelson A43B 3/126
428/100
2012/0096683 A1 * 4/2012 Suriano A44B 1/30
24/104
2012/0192331 A1 8/2012 Fowler et al.
2012/0222331 A1 9/2012 Blunden et al.
2013/0019381 A1 * 1/2013 Lovell A43B 23/24
2/245
2013/0025165 A1 1/2013 Hunter et al.
2013/0067641 A1 3/2013 Allen et al.
2013/0160490 A1 * 6/2013 Aoki A42B 1/0181
2/8.1
2014/0259295 A1 * 9/2014 Guglielmo A44B 1/30
24/104
2015/0027006 A1 1/2015 Lin
2015/0157093 A1 6/2015 Fowler
2015/0282575 A1 * 10/2015 Smith A43B 1/14
D11/200
2016/0021983 A1 1/2016 Chapin et al.
2016/0258470 A1 * 9/2016 Sakoda F16B 19/08
2017/0265569 A1 * 9/2017 Reid A43C 5/00
D8/397

* cited by examiner

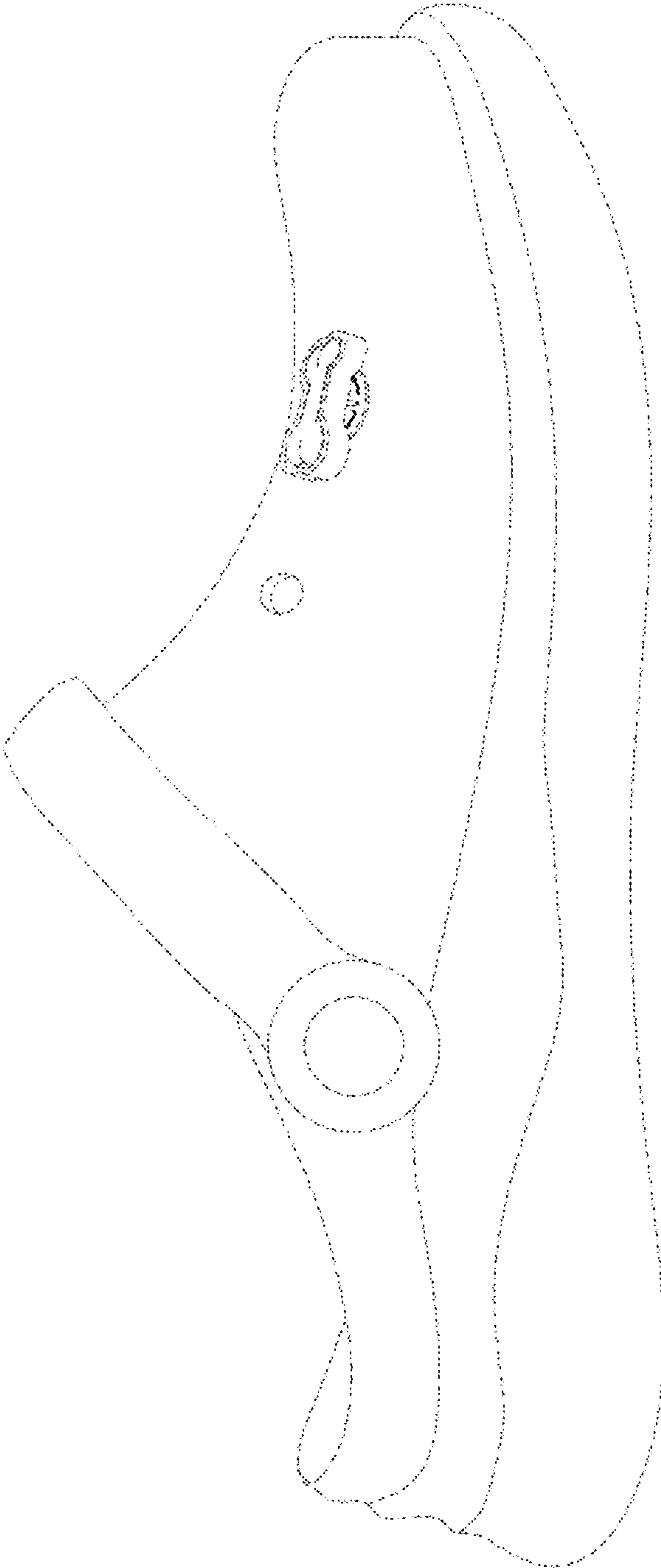


FIG. 1

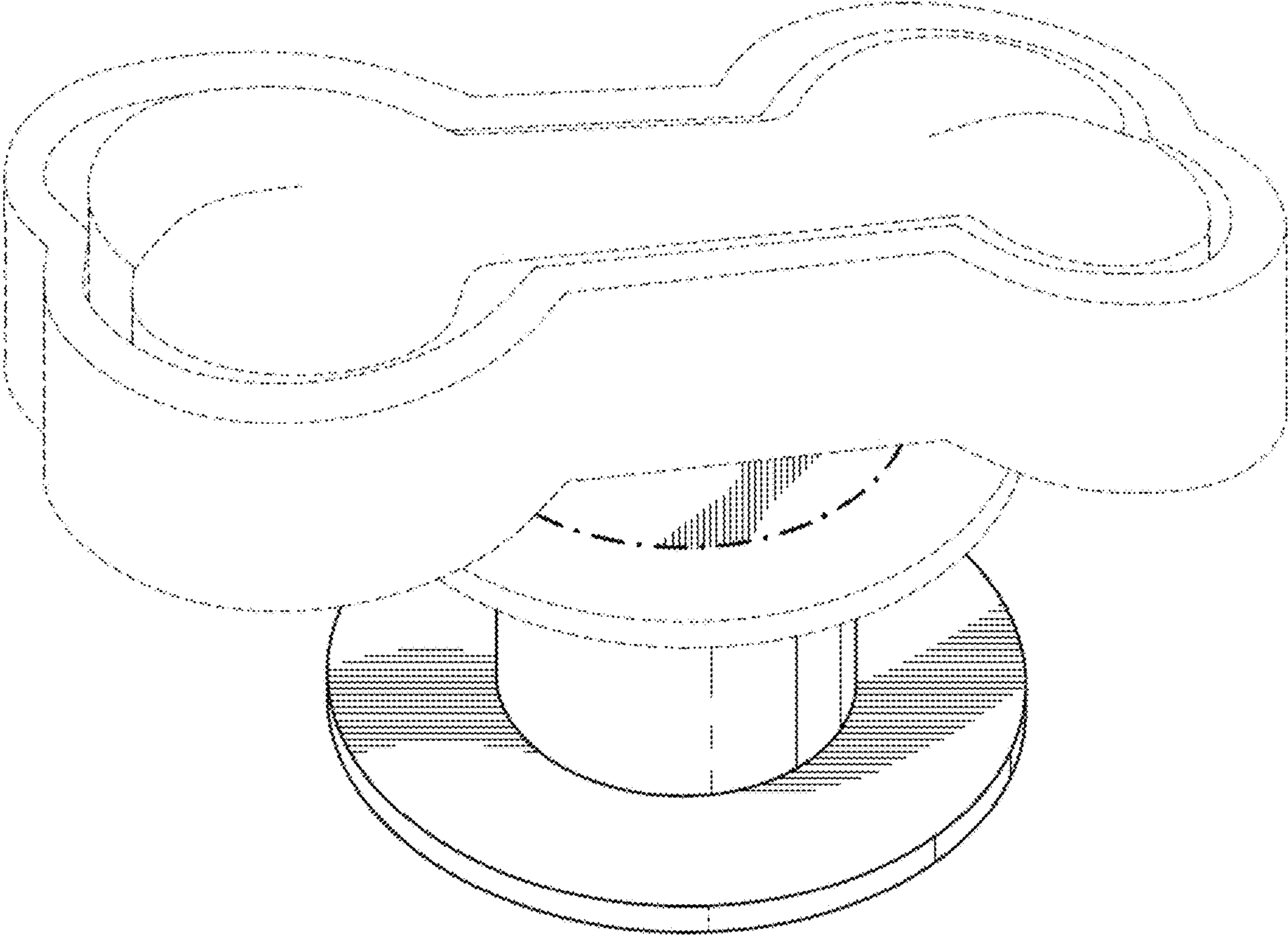


FIG. 2

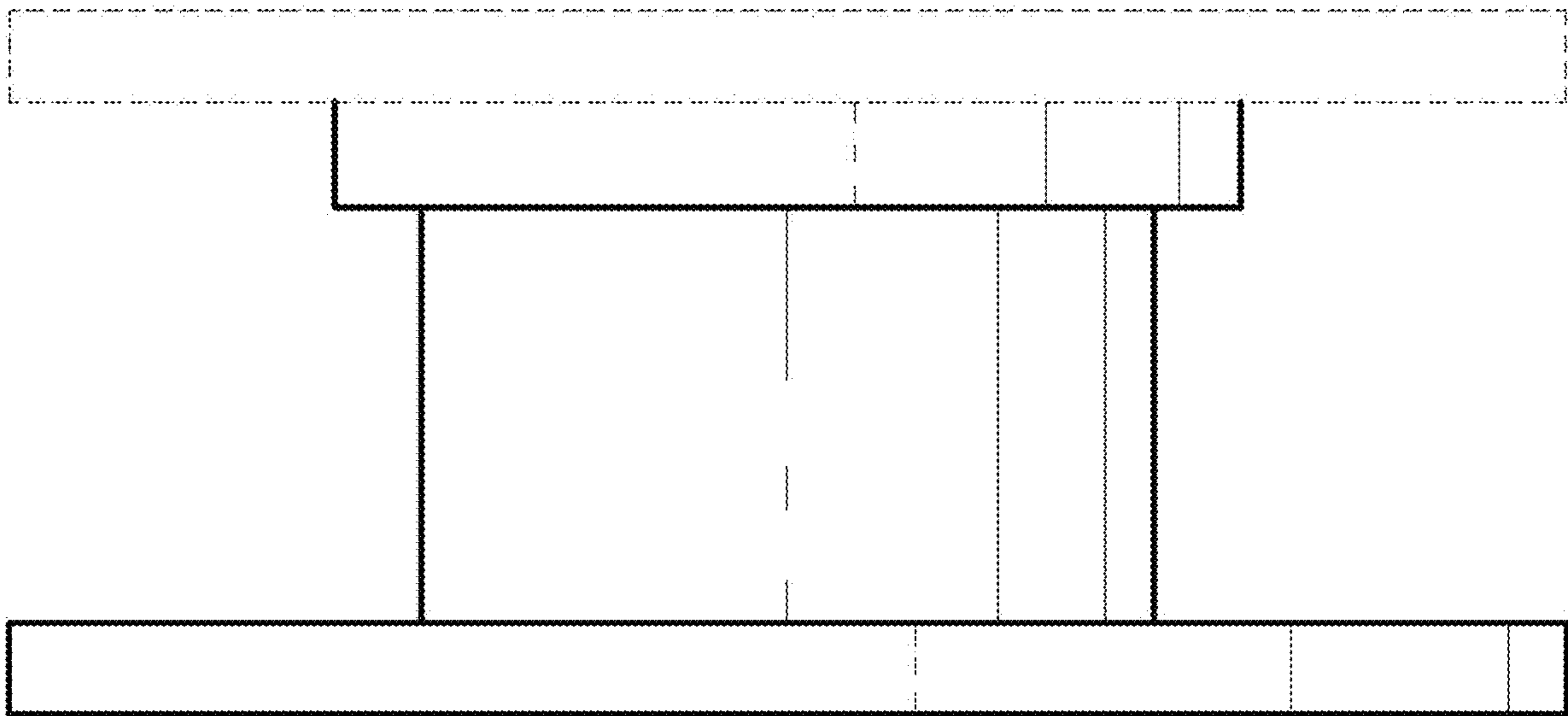


FIG. 3

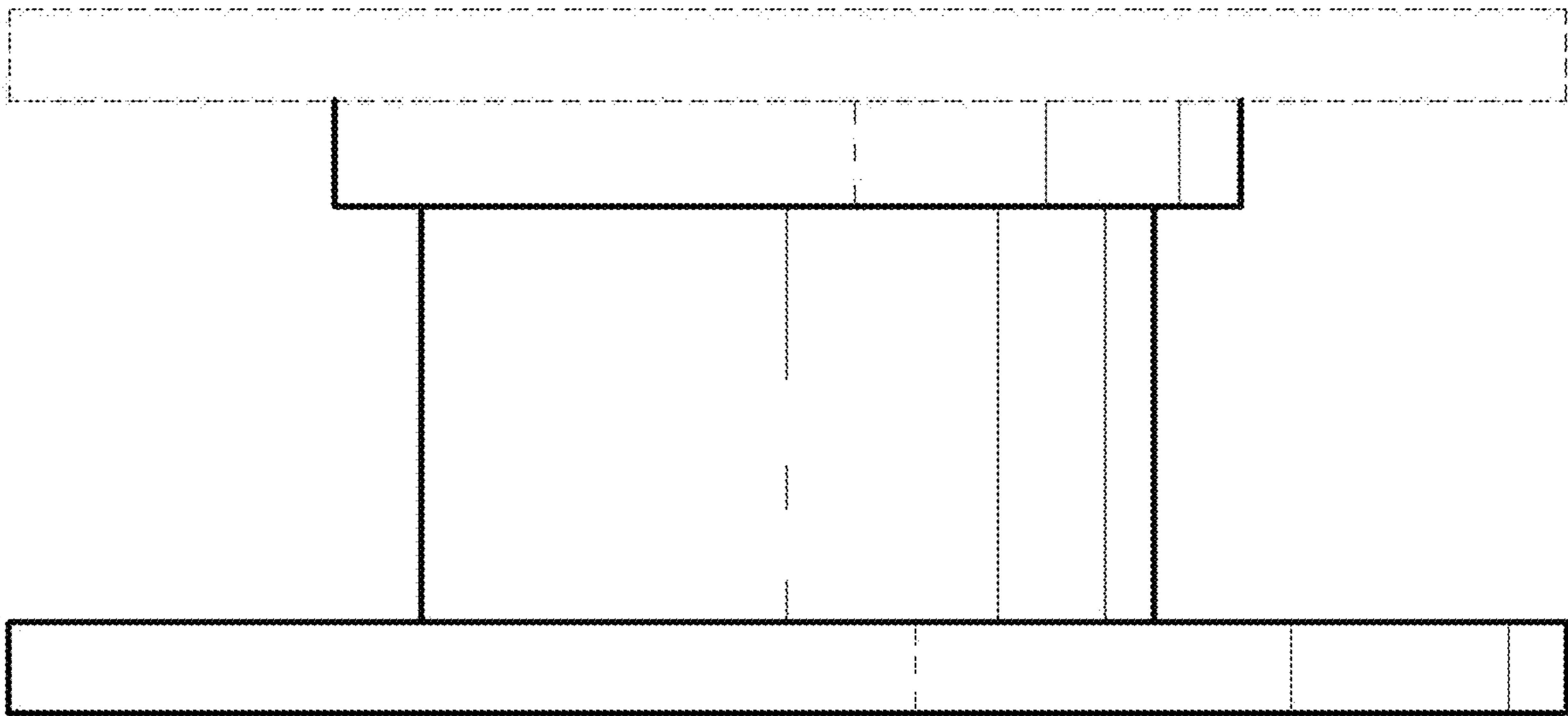


FIG. 4

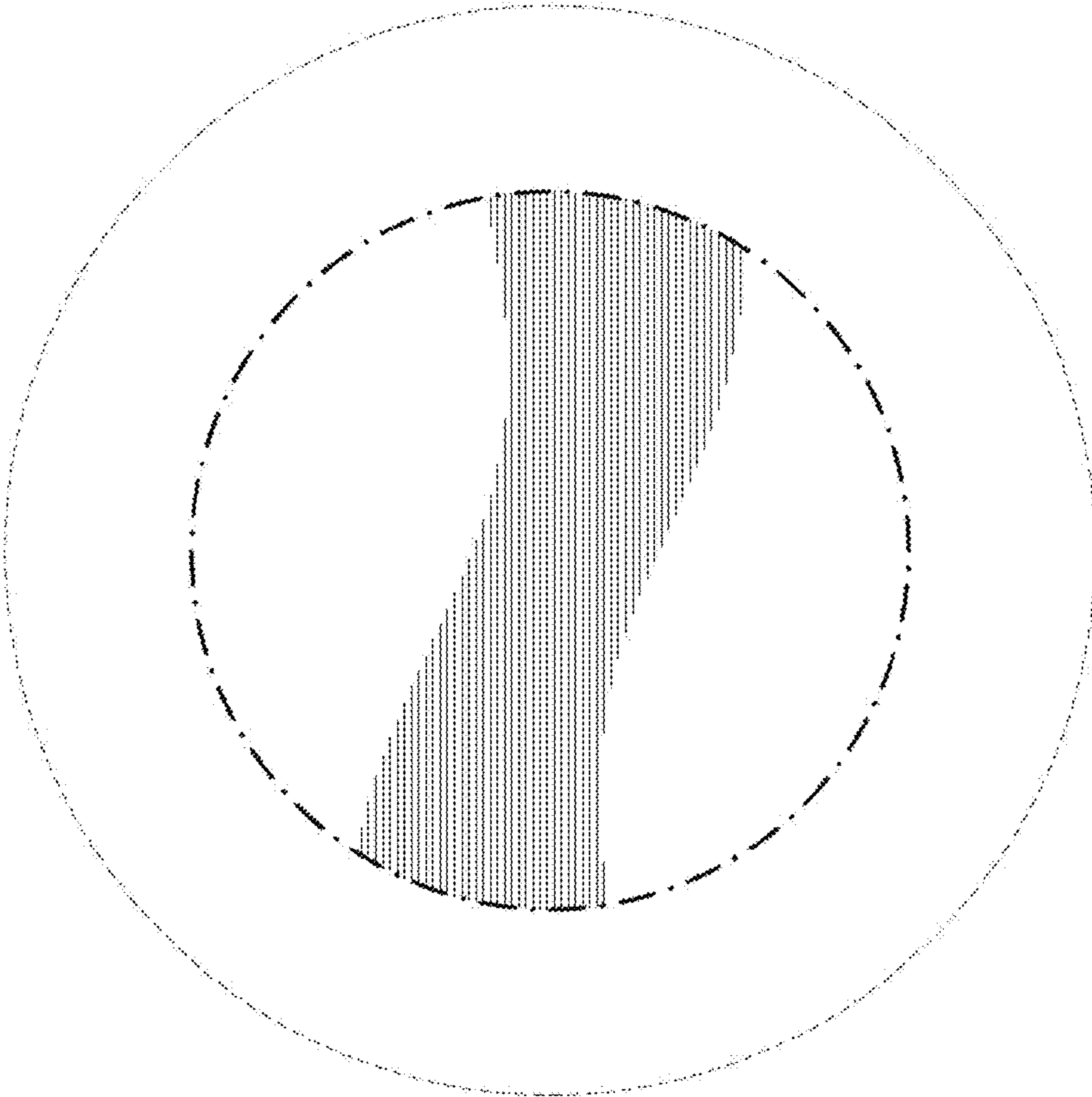


FIG. 5

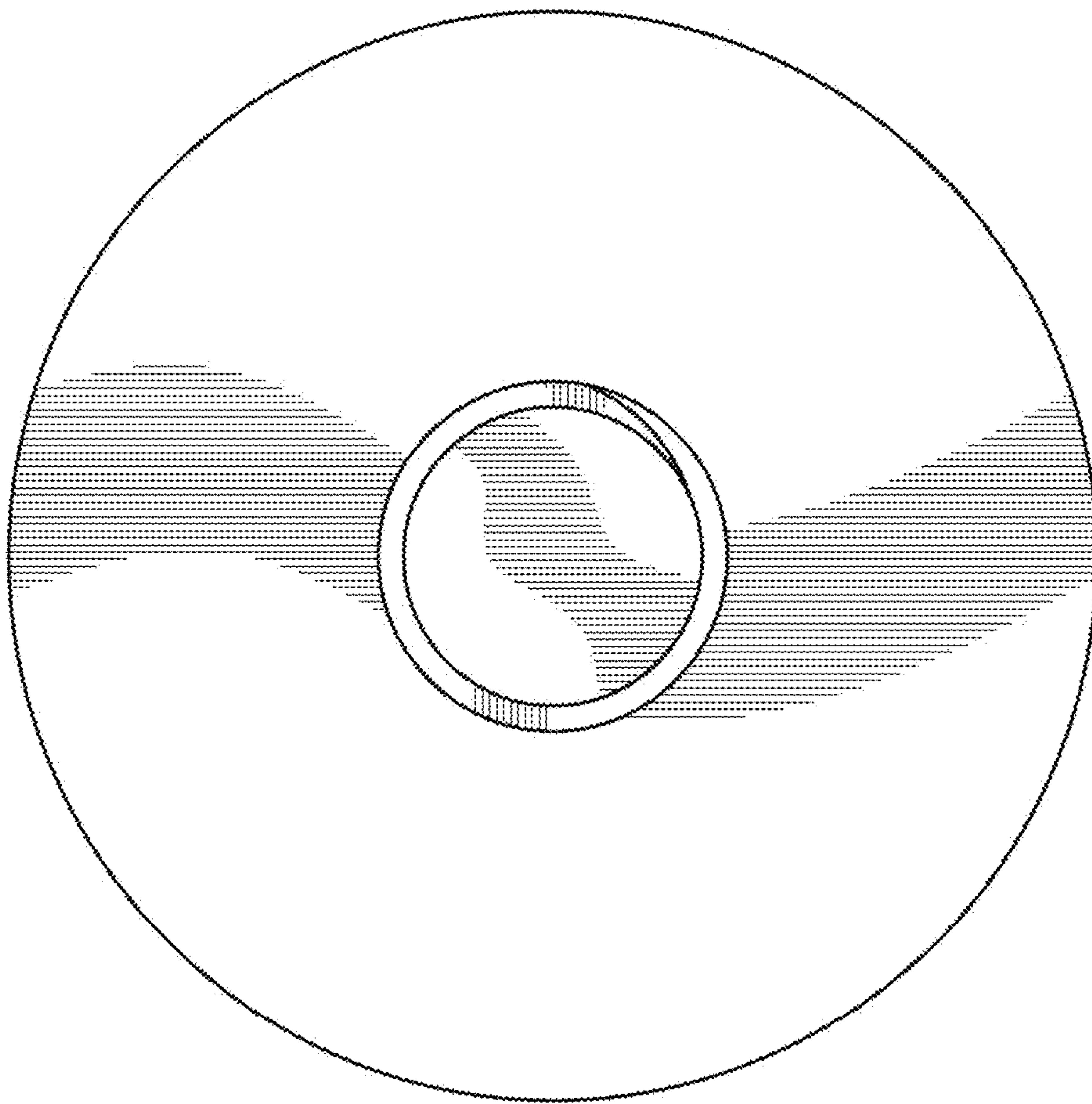


FIG. 6

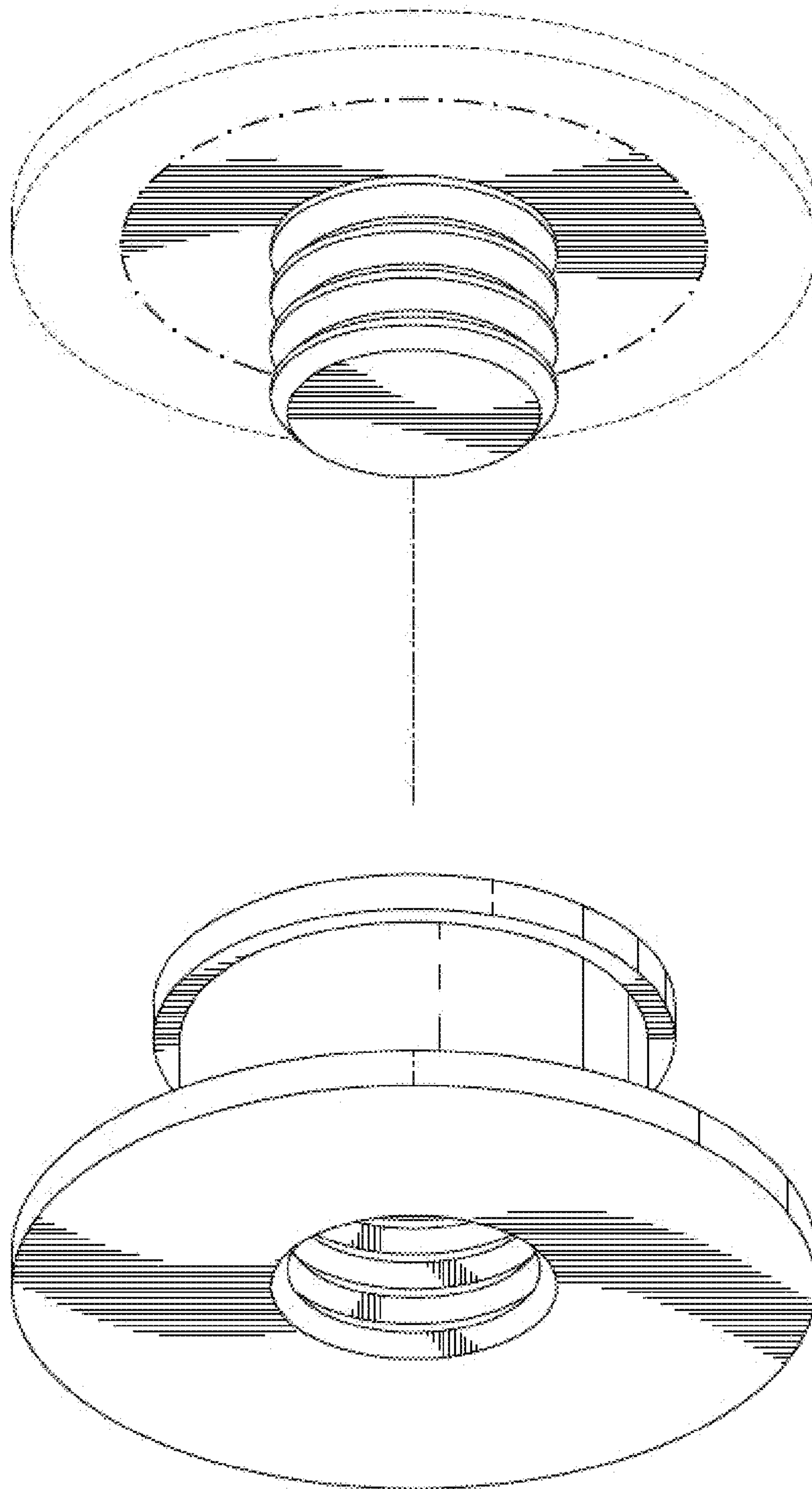


FIG. 7

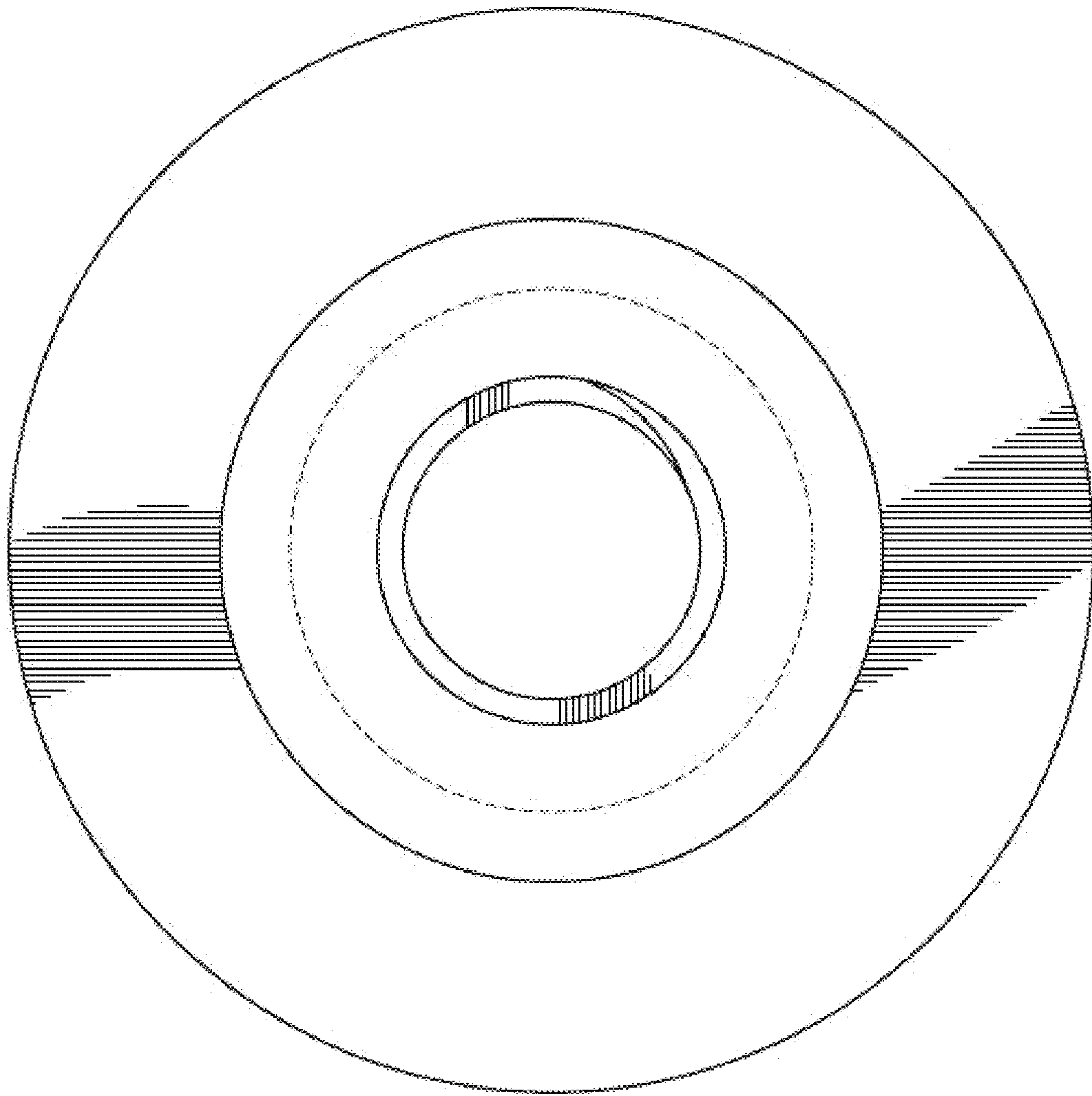


FIG. 8