



US00D986569S

(12) **United States Design Patent**
Birkhauser

(10) **Patent No.:** **US D986,569 S**

(45) **Date of Patent:** **** May 23, 2023**

(54) **BOOT**

(71) Applicant: **Britney B. Birkhauser**, Littleton, CO
(US)

(72) Inventor: **Britney B. Birkhauser**, Littleton, CO
(US)

(**) Term: **15 Years**

(21) Appl. No.: **29/694,354**

(22) Filed: **Jun. 10, 2019**

(51) **LOC (14) Cl.** **02-04**

(52) **U.S. Cl.**
USPC **D2/970; D2/910**

(58) **Field of Classification Search**
USPC D2/896, 900, 909-911, 943, 946, 969,
D2/970, 974
CPC A43C 1/00; A43C 11/004; A43B 3/16;
A43B 23/00
See application file for complete search history.

(56) **References Cited**

U.S. PATENT DOCUMENTS

2,356,490 A * 8/1944 Crotty A43B 3/02
36/43
D448,144 S * 9/2001 Jacobs D2/909

D625,095 S * 10/2010 Issler D2/970
D650,565 S * 12/2011 Guers-Neyraud A43B 3/02
D2/971
D707,925 S * 7/2014 Paleka D2/911
D727,611 S * 4/2015 Dillenbeck D2/970
D769,598 S * 10/2016 McClaskie D2/910
D770,157 S * 11/2016 McClaskie D2/970
D787,796 S * 5/2017 Spring D2/970

* cited by examiner

Primary Examiner — Rashida C. Walshon

(74) *Attorney, Agent, or Firm* — Leavitt Eldredge Law Firm

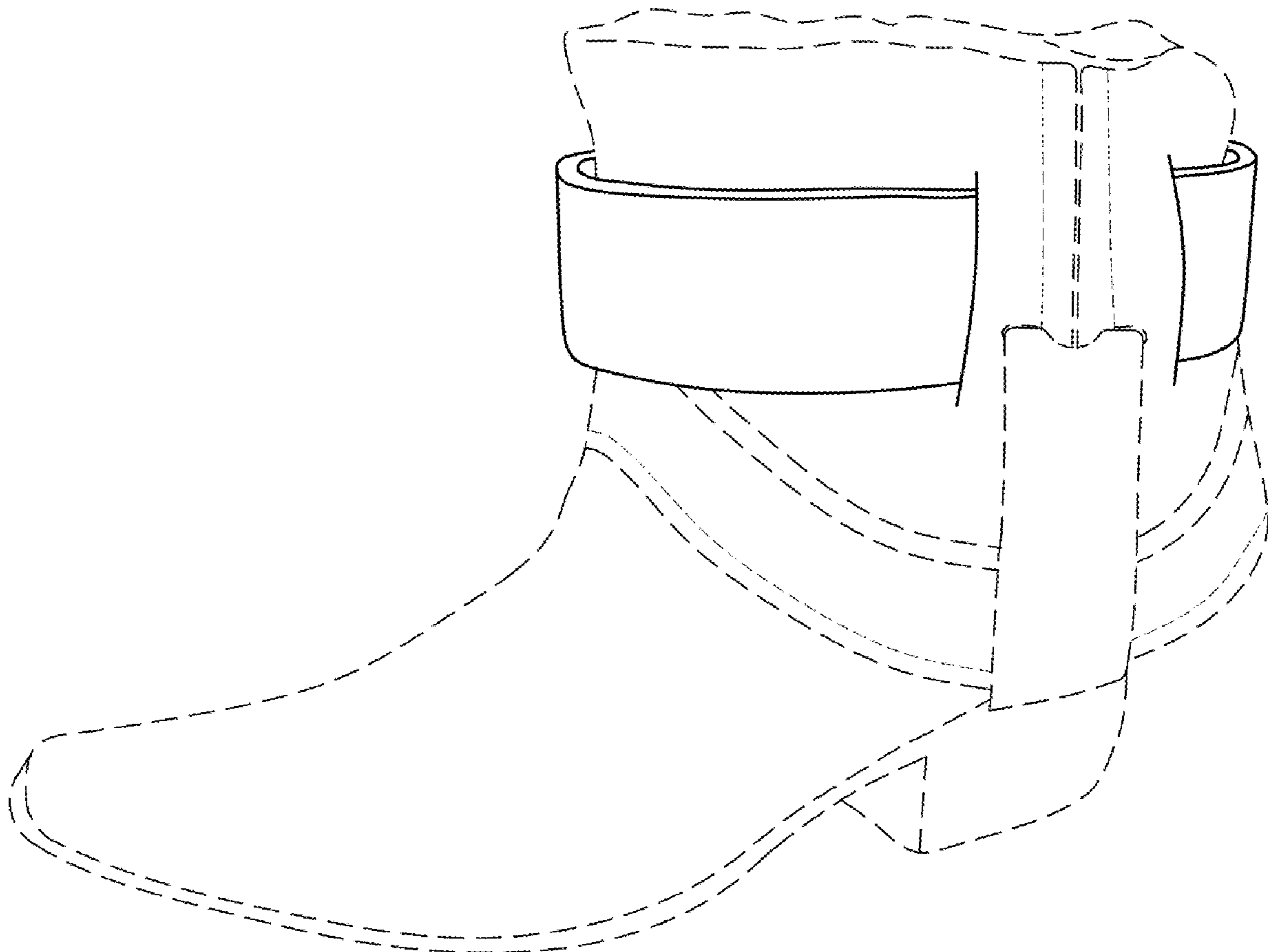
(57) **CLAIM**

The ornamental design for a boot, as shown and described.

DESCRIPTION

FIG. 1 is an boot according to the present application.
FIG. 2 is a front view of the boot.
FIG. 3 is a back view of the boot.
FIG. 4 is a right view of the boot; and,
FIG. 5 is a left view of the boot.
The broken lines in the drawings represent portions of the boot that form no part of the claim.

1 Claim, 5 Drawing Sheets



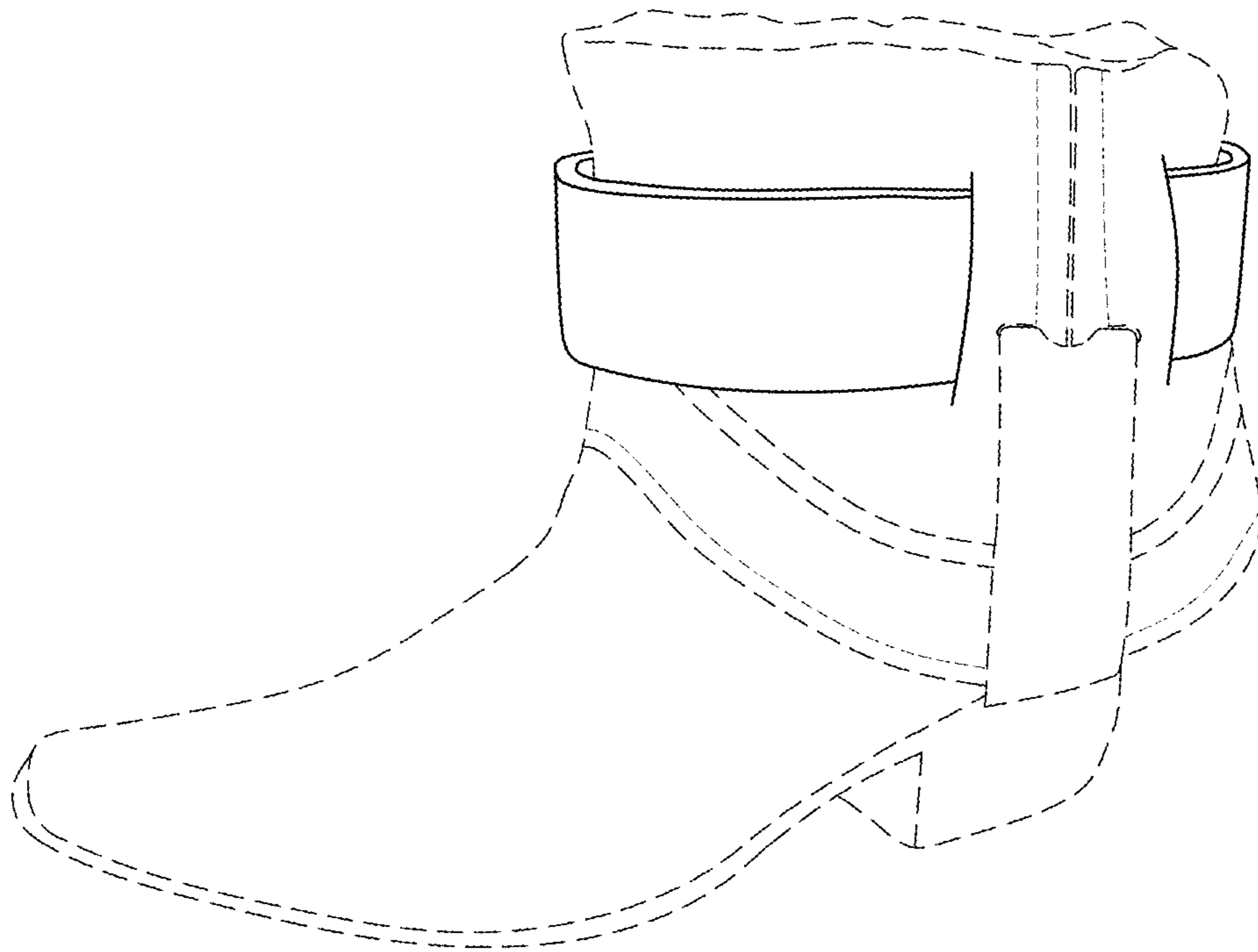


FIG. 1

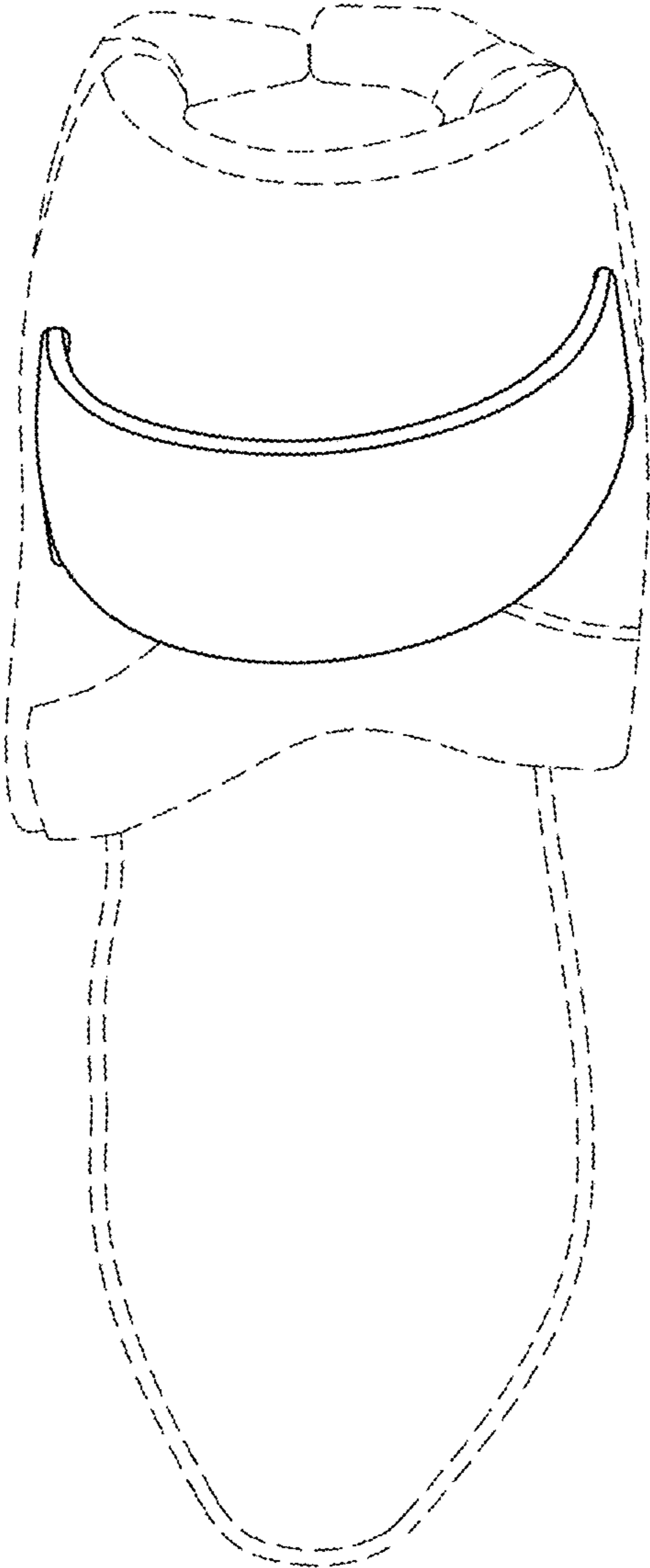


FIG. 2

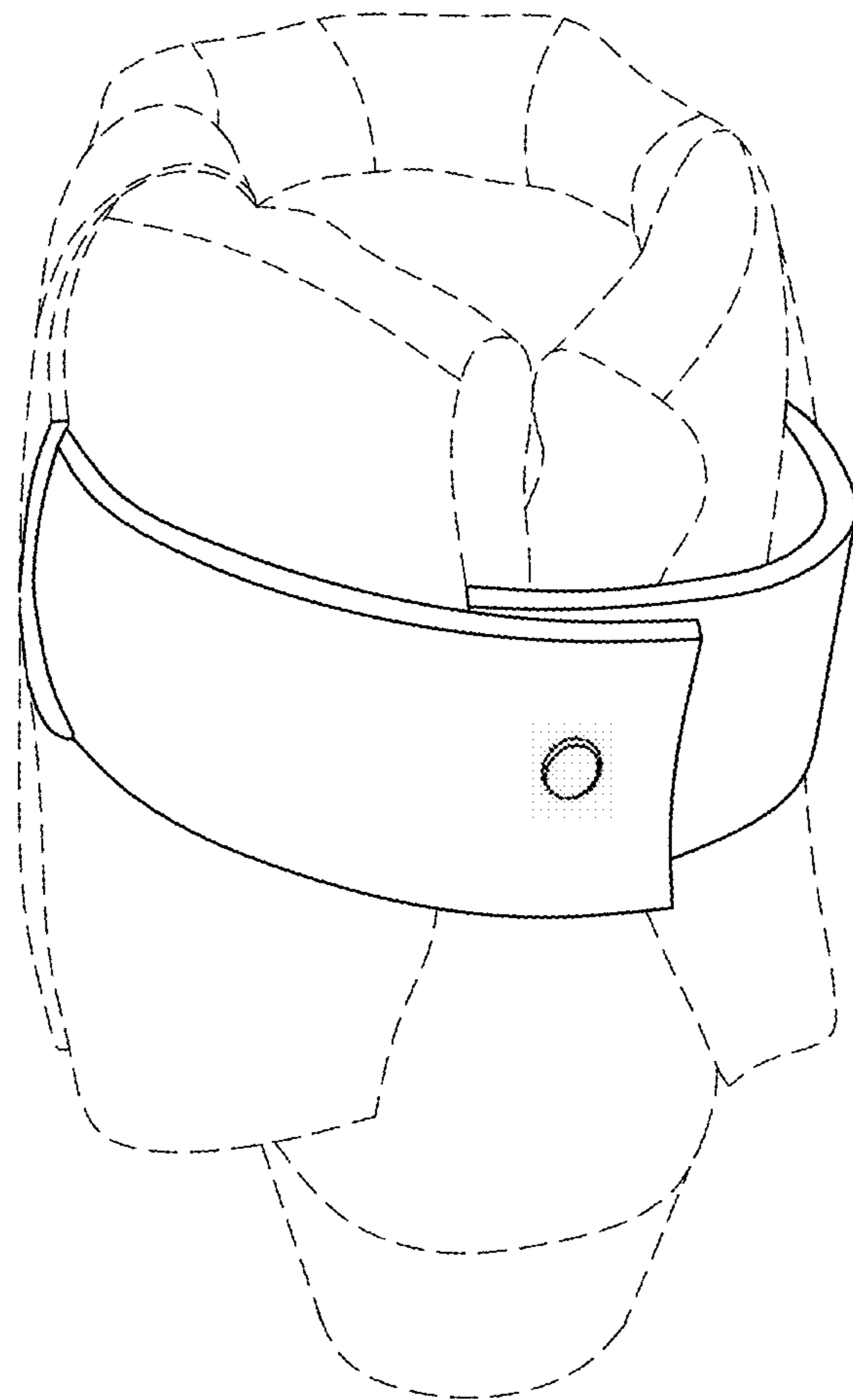


FIG. 3

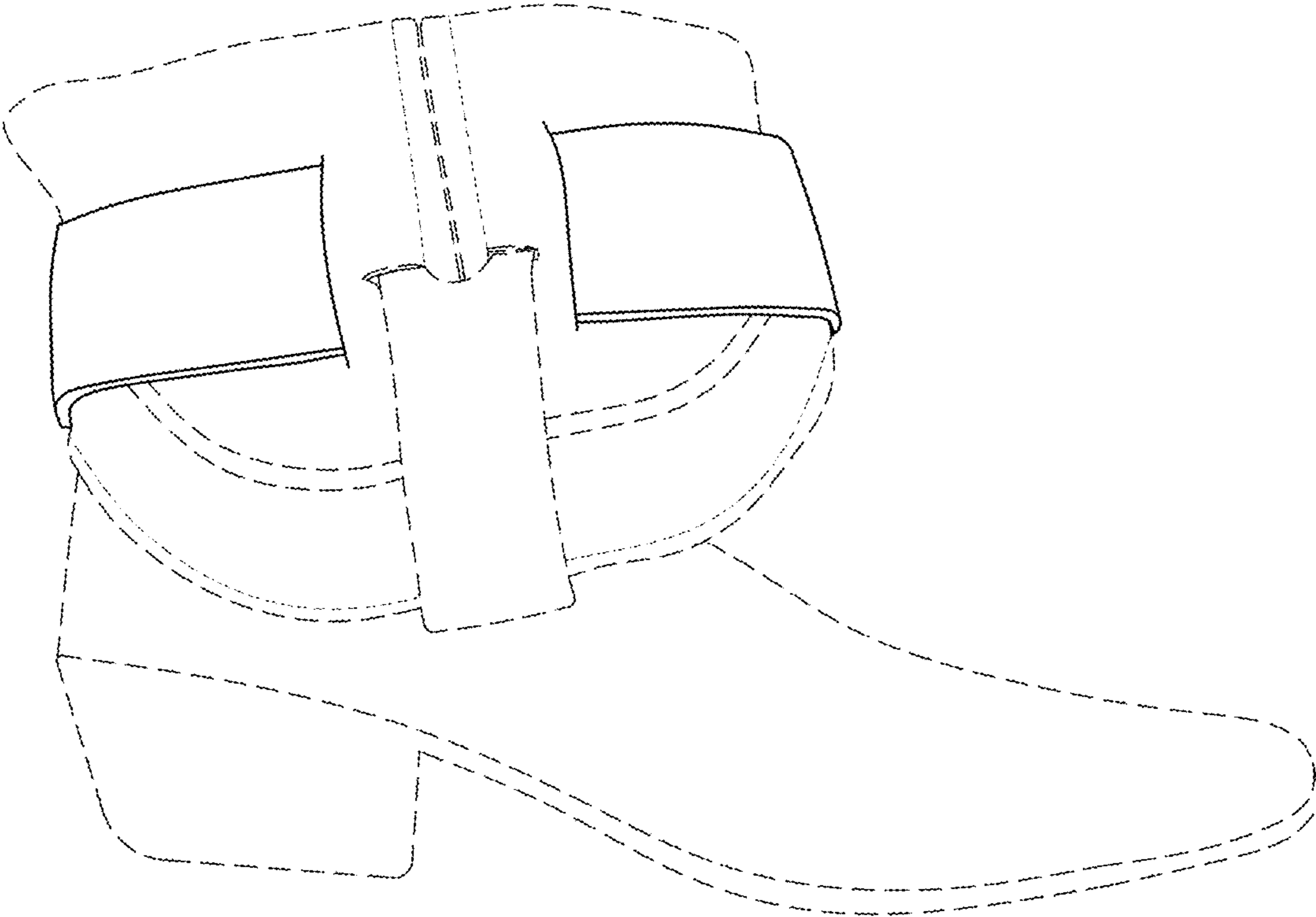


FIG. 4

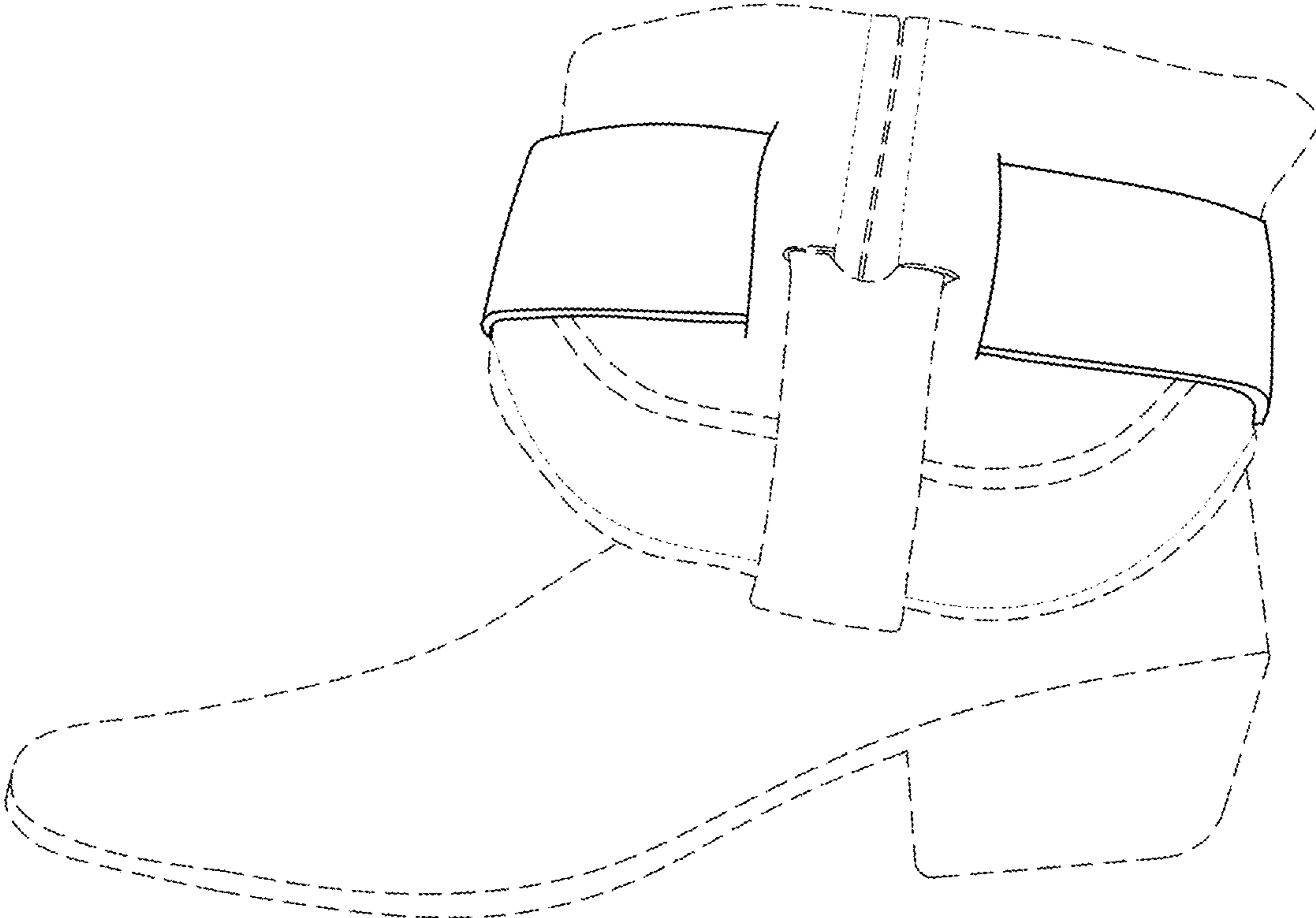


FIG. 5