



US00D986544S

(12) **United States Design Patent**
Zhou

(10) **Patent No.:** **US D986,544 S**

(45) **Date of Patent:** **** May 23, 2023**

(54) **SLIPPER**

(71) Applicant: **Chengzhen Zhou**, Jiangxi (CN)

(72) Inventor: **Chengzhen Zhou**, Jiangxi (CN)

(**) Term: **15 Years**

(21) Appl. No.: **29/796,655**

(22) Filed: **Jun. 25, 2021**

(51) **LOC (14) Cl.** **02-04**

(52) **U.S. Cl.**
USPC **D2/919; D2/916; D2/954**

(58) **Field of Classification Search**
USPC D2/896-900, 916-926, 946-955, 960,
D2/969

CPC .. A43B 3/12; A43B 3/128; A43B 3/10; A43B
3/102

See application file for complete search history.

(56) **References Cited**

U.S. PATENT DOCUMENTS

D275,145 S *	8/1984	Glatz	D2/916
D290,900 S *	7/1987	Schornstein	D2/916
D350,434 S *	9/1994	Goldstein	D2/960
D388,597 S *	1/1998	Gavigan	D2/960

D449,430 S *	10/2001	McClaskie	D2/951
D506,053 S *	6/2005	Cook	D2/947
D535,090 S *	1/2007	Belley	D2/969
D544,696 S *	6/2007	Huthmaker	D2/972
D644,006 S *	8/2011	Tran	D2/916
D827,257 S *	9/2018	Ringholz	D2/960
D889,080 S *	7/2020	West	D2/916
D951,605 S *	5/2022	Etcheverry	D2/916

* cited by examiner

Primary Examiner — Rashida C. Walshon

(74) *Attorney, Agent, or Firm* — ScienBiziP, P.C.

(57) **CLAIM**

The ornamental design for slipper, as shown and described.

DESCRIPTION

FIG. 1 is a front, right, and top perspective view of a right shoe of slipper, showing my design.

FIG. 2 is a rear, left, and bottom perspective view thereof.

FIG. 3 is a front elevation view thereof.

FIG. 4 is a rear elevation view thereof.

FIG. 5 is a left side elevation view thereof.

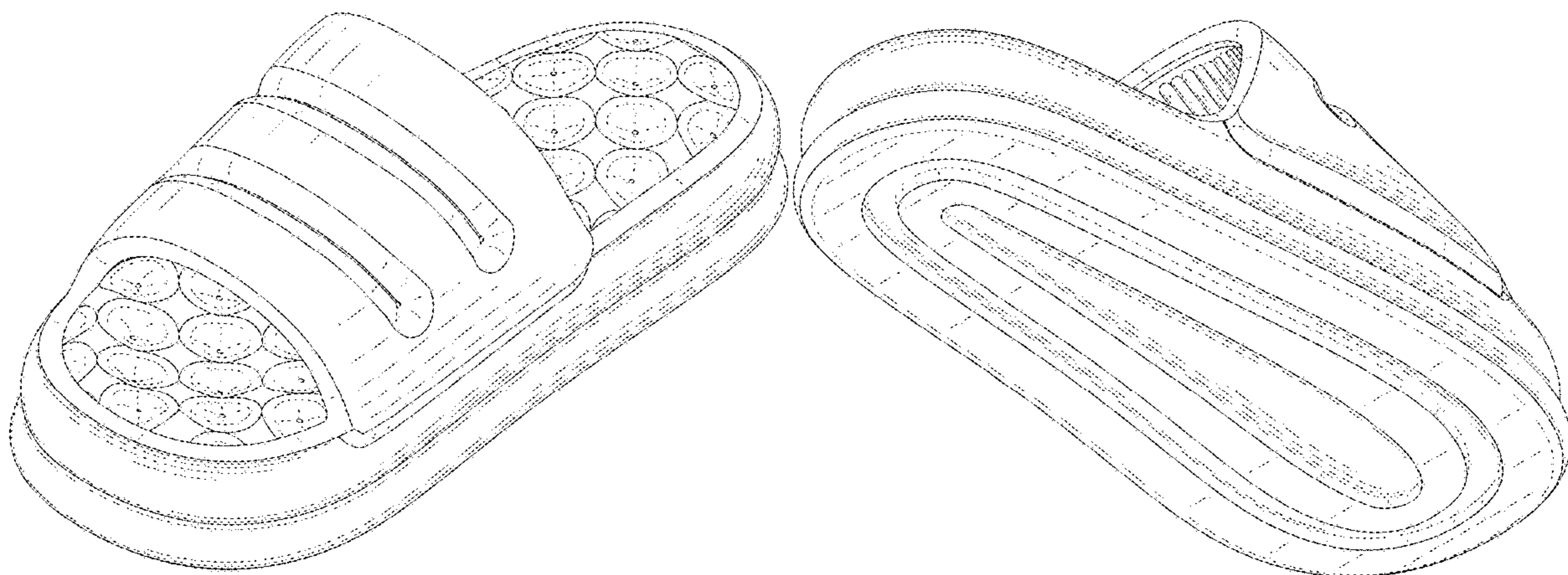
FIG. 6 is a right side elevation view thereof.

FIG. 7 is a top plan view thereof; and,

FIG. 8 is a bottom plan view thereof.

A left shoe of the slipper is a mirror image of the right shoe as shown in FIGS. 1 to 8.

1 Claim, 8 Drawing Sheets



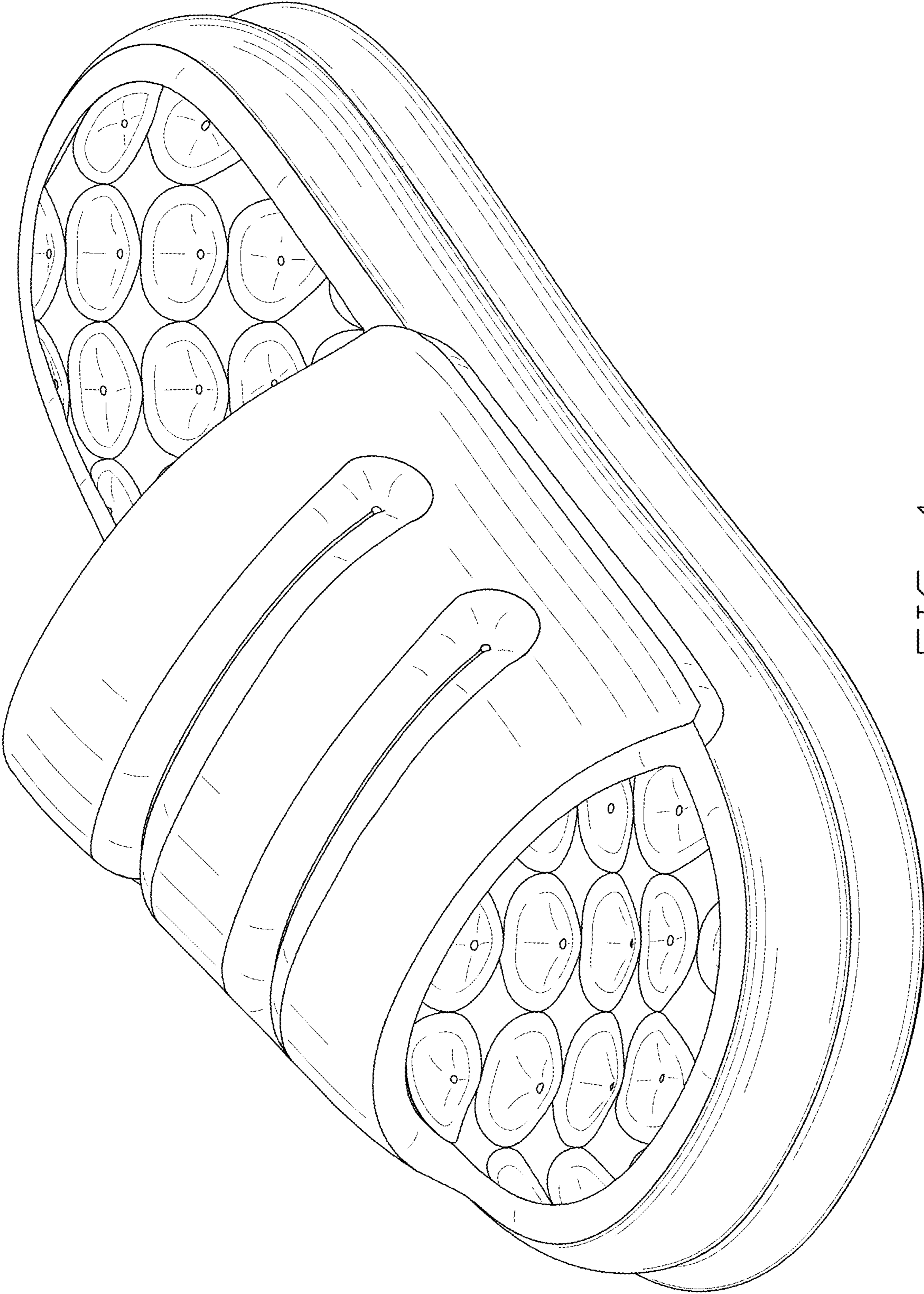


FIG. 1

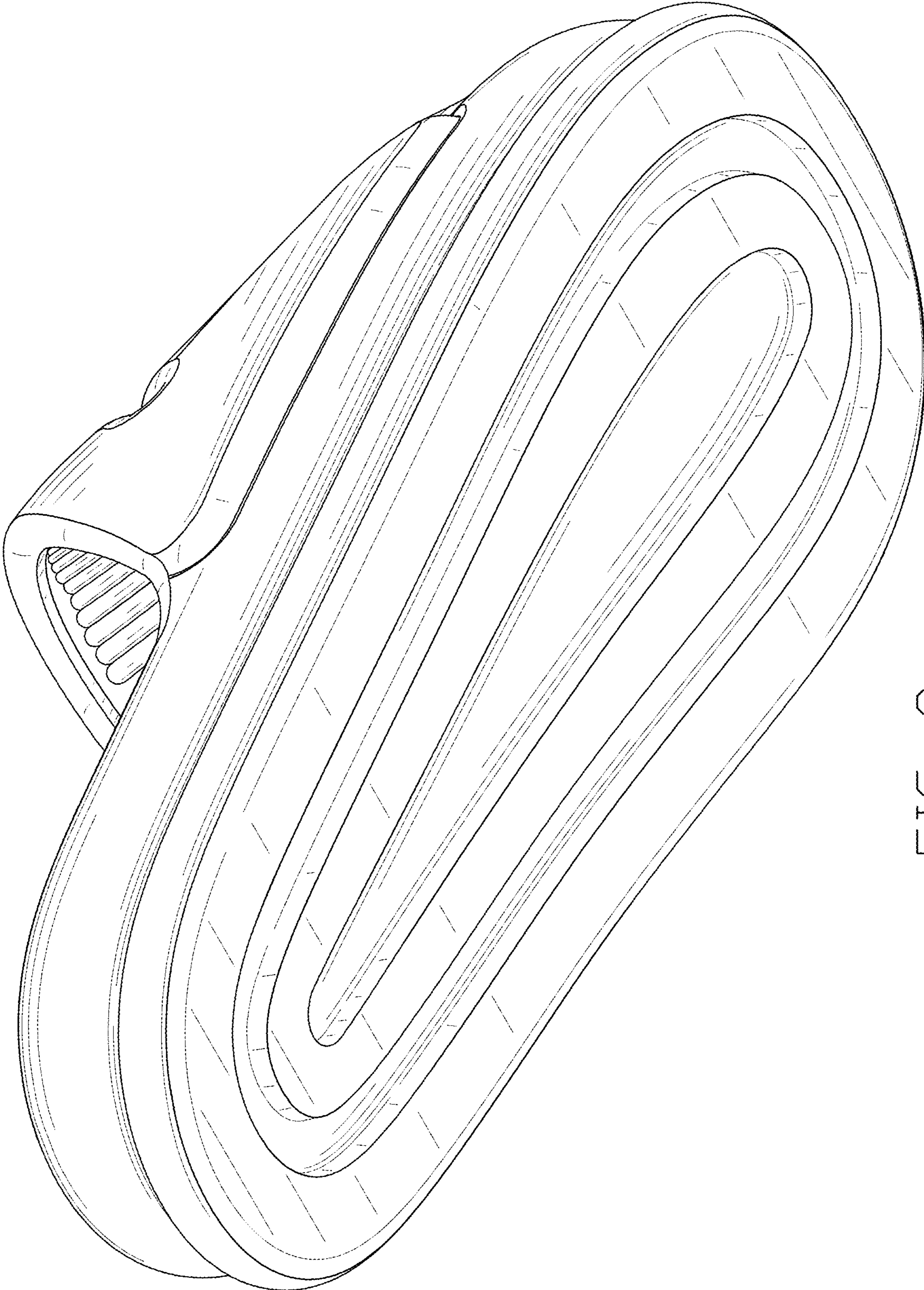


FIG. 2

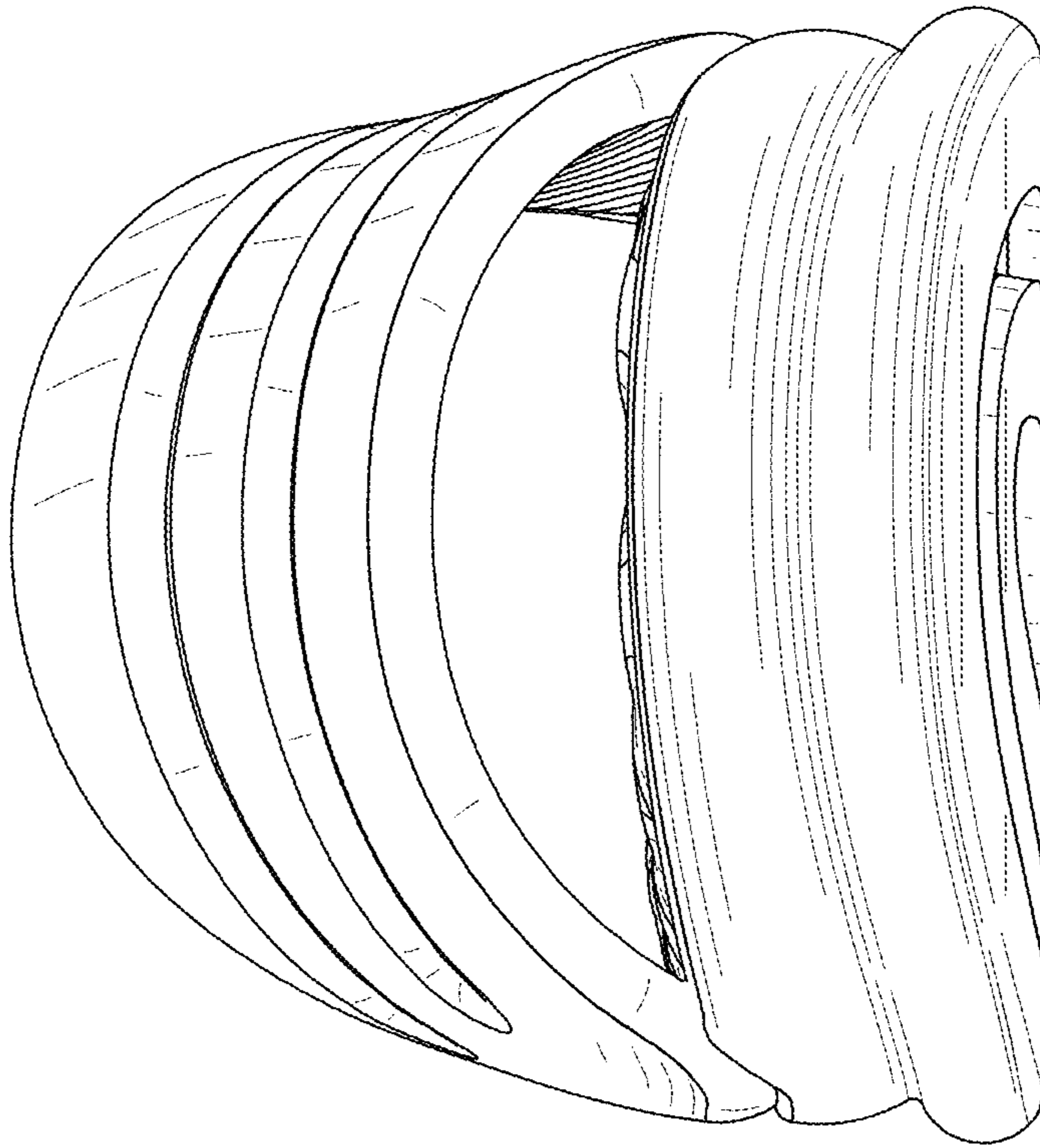


FIG. 3

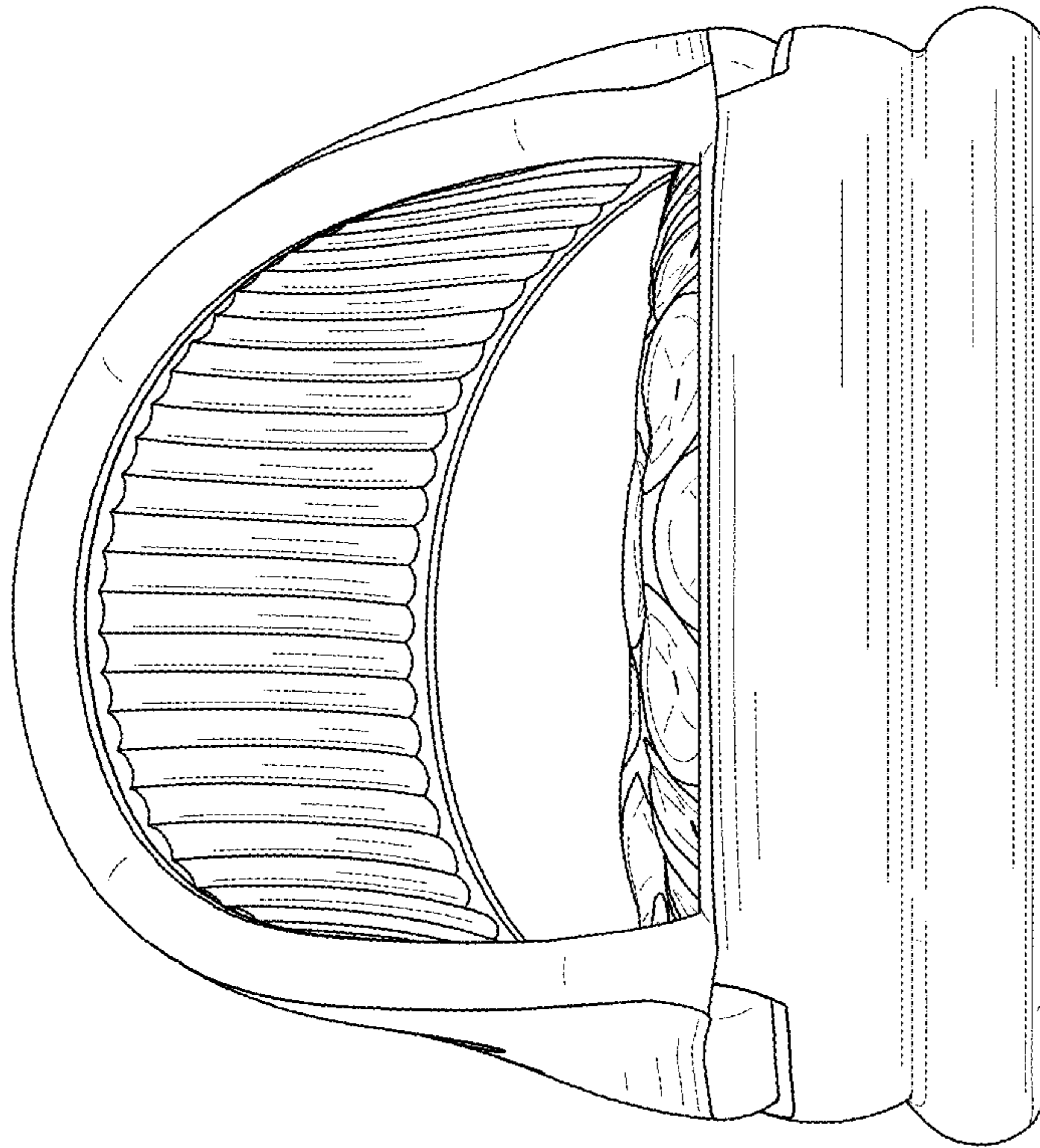


FIG. 4

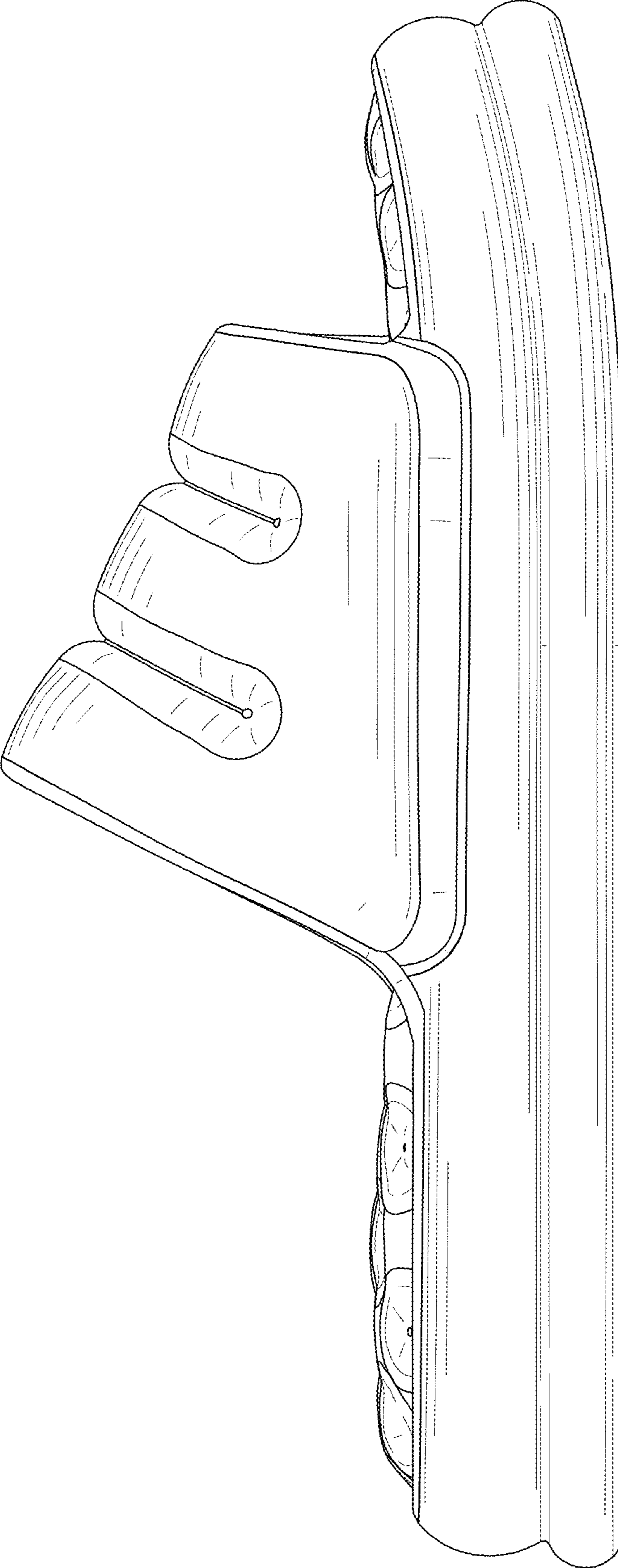


FIG. 5

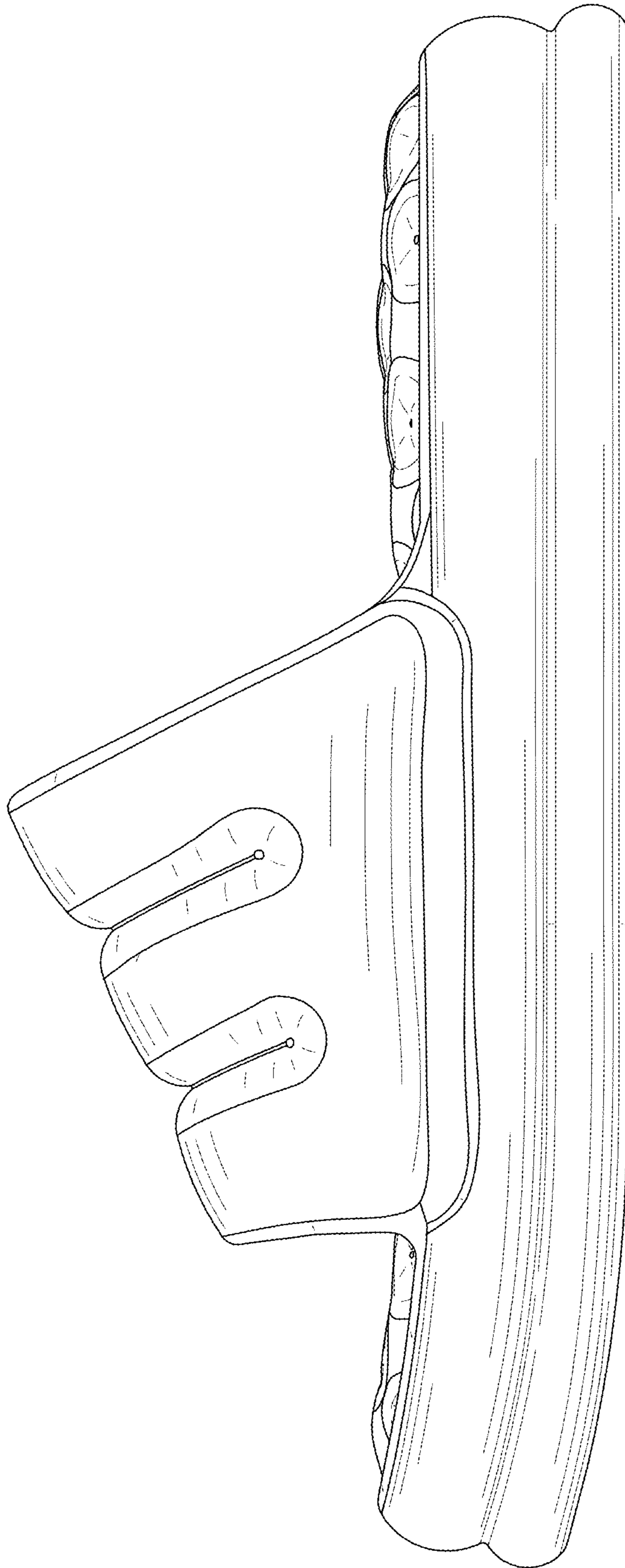


FIG. 6

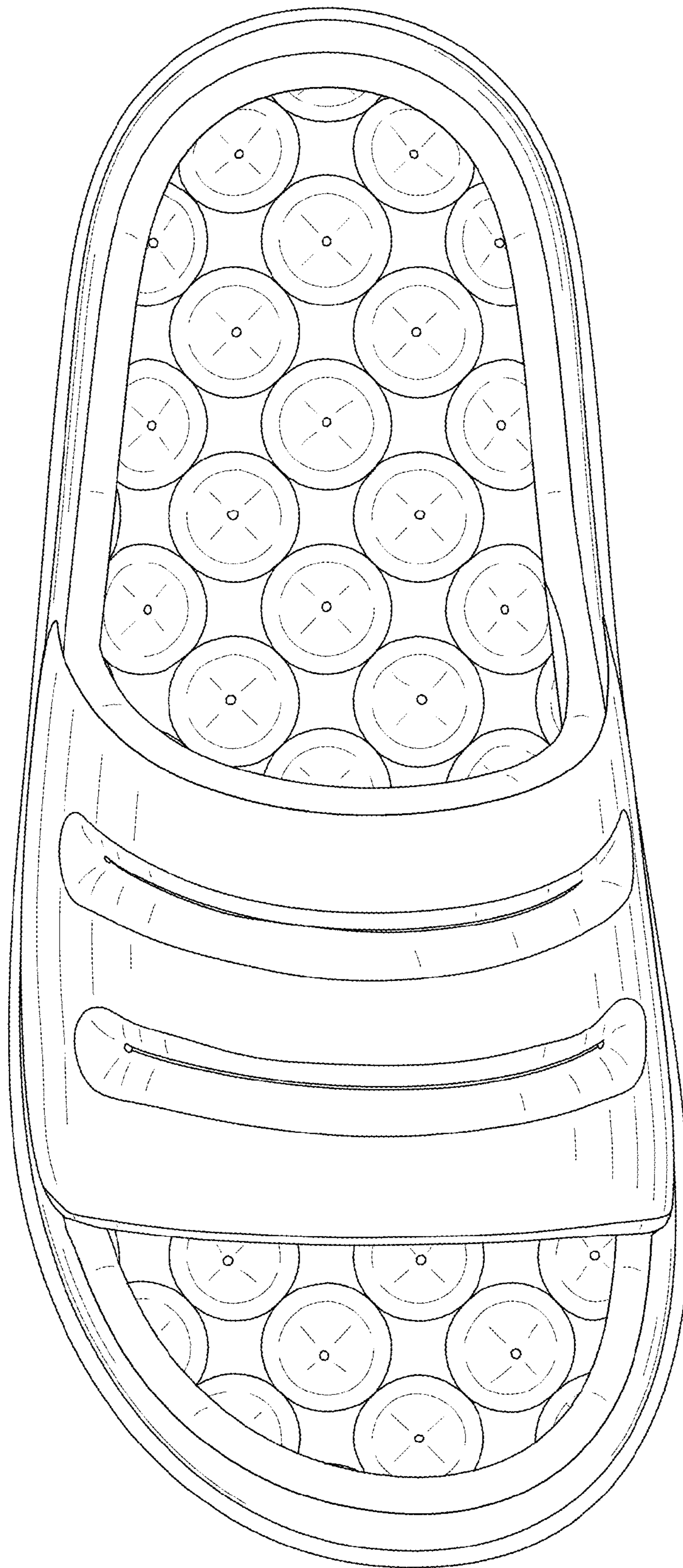


FIG. 7

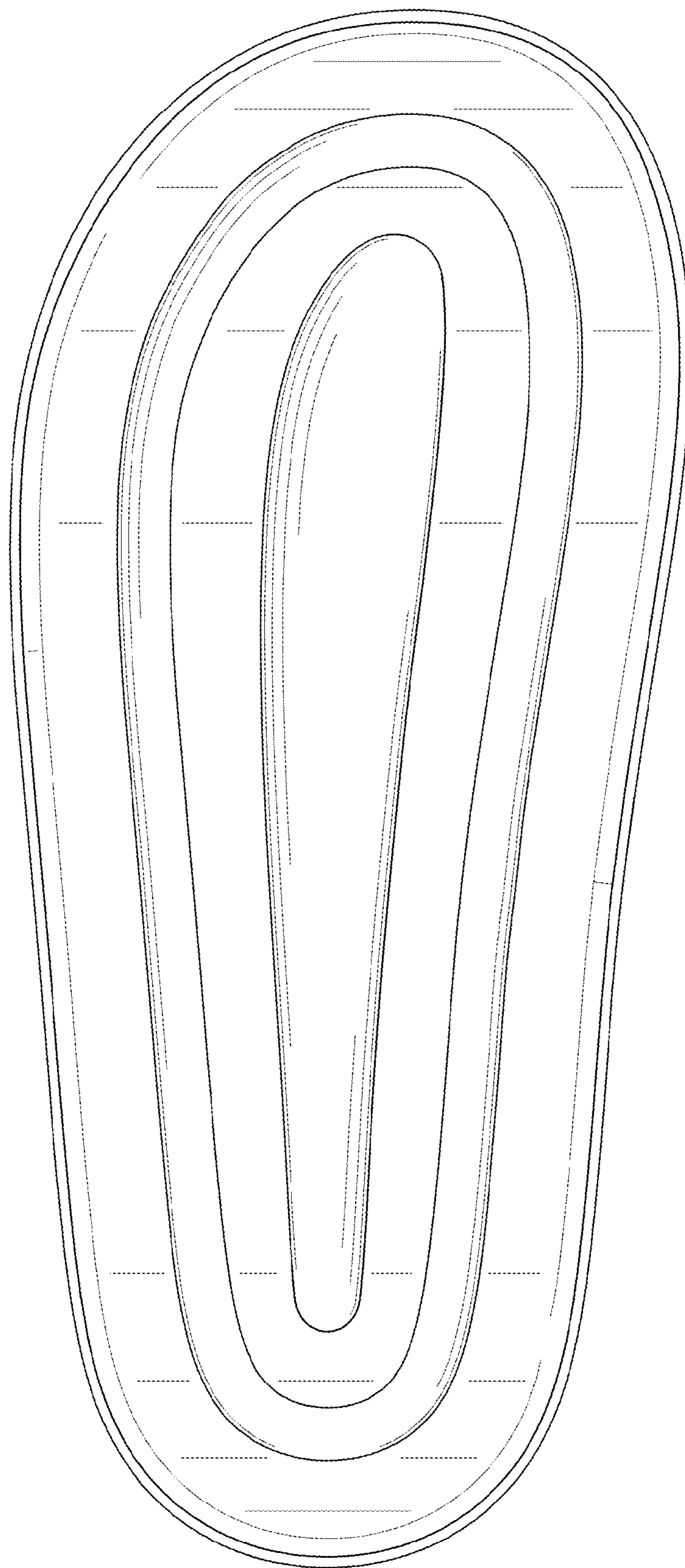


FIG. 8