



US00D986538S

(12) **United States Design Patent** (10) **Patent No.:** **US D986,538 S**  
**Ling** (45) **Date of Patent:** **\*\* May 23, 2023**

(54) **HEAD STRAP**

(71) Applicant: **HUIZHOU HUIYANG DISTRICT XINWEI LIANSHENG PLASTIC PRODUCTS FACTORY, Huizhou (CN)**

(72) Inventor: **Sheng Ling, Huizhou (CN)**

(73) Assignee: **HUIZHOU HUIYANG DISTRICT XINWEI LIANSHENG PLASTIC PRODUCTS FACTORY, Huizhou (CN)**

(\*\*) Term: **15 Years**

(21) Appl. No.: **29/824,934**

(22) Filed: **Jan. 27, 2022**

(51) **LOC (14) Cl.** ..... **14-02**

(52) **U.S. Cl.**  
USPC ..... **D2/865; D14/372**

(58) **Field of Classification Search**  
USPC ..... D2/865, 866, 869, 875, 876, 877, 881, D2/891, 892; D14/205, 372; D16/309, D16/311; D26/39; D29/102, 103, 108, D29/112  
CPC ..... A42B 1/24; A42B 1/242; A42B 1/244; A42B 1/247; A42B 3/04; A42B 3/0406; G02B 27/017; G02B 27/0172; G02B 27/0176  
See application file for complete search history.

(56) **References Cited**

**U.S. PATENT DOCUMENTS**

D809,517 S *	2/2018	Sakata	.....	D14/372
D852,878 S *	7/2019	Li	.....	D16/309
D872,080 S *	1/2020	Denhez	.....	D14/372
D904,402 S *	12/2020	Marquis	.....	D14/372
D907,220 S *	1/2021	Brown	.....	D24/191
D918,200 S	5/2021	Natsume et al.		

D918,904 S *	5/2021	Jackson	.....	D14/372
D924,234 S *	7/2021	Meng	.....	D14/372
D925,528 S *	7/2021	Bristol	.....	D14/372
D927,785 S *	8/2021	Wu	.....	D29/102
D928,151 S *	8/2021	Hu	.....	D14/372
D929,402 S *	8/2021	Jiang	.....	D14/372
D932,488 S *	10/2021	Huang	.....	D14/372
D942,698 S *	2/2022	Schneider	.....	D29/102
D943,575 S *	2/2022	Conlee, IV	.....	D14/372
D950,077 S *	4/2022	Wang	.....	D24/191

(Continued)

**OTHER PUBLICATIONS**

Maiord Adjustable Head Strap for Oculus Quest . . . [online]; [date first available to the internet on Jun. 14, 2022]; [retrieved from the internet on Mar. 30, 2023]; URL: [https://www.amazon.com/MAIORD-Oculus-Quest-Lightweight-Accessories/dp/B0B42FTQD4/ref=psdc\\_229575\\_t3\\_B09T61NG24](https://www.amazon.com/MAIORD-Oculus-Quest-Lightweight-Accessories/dp/B0B42FTQD4/ref=psdc_229575_t3_B09T61NG24). (12 pages). (Year: 2022).\*

*Primary Examiner* — Jasmine Mlinarcik

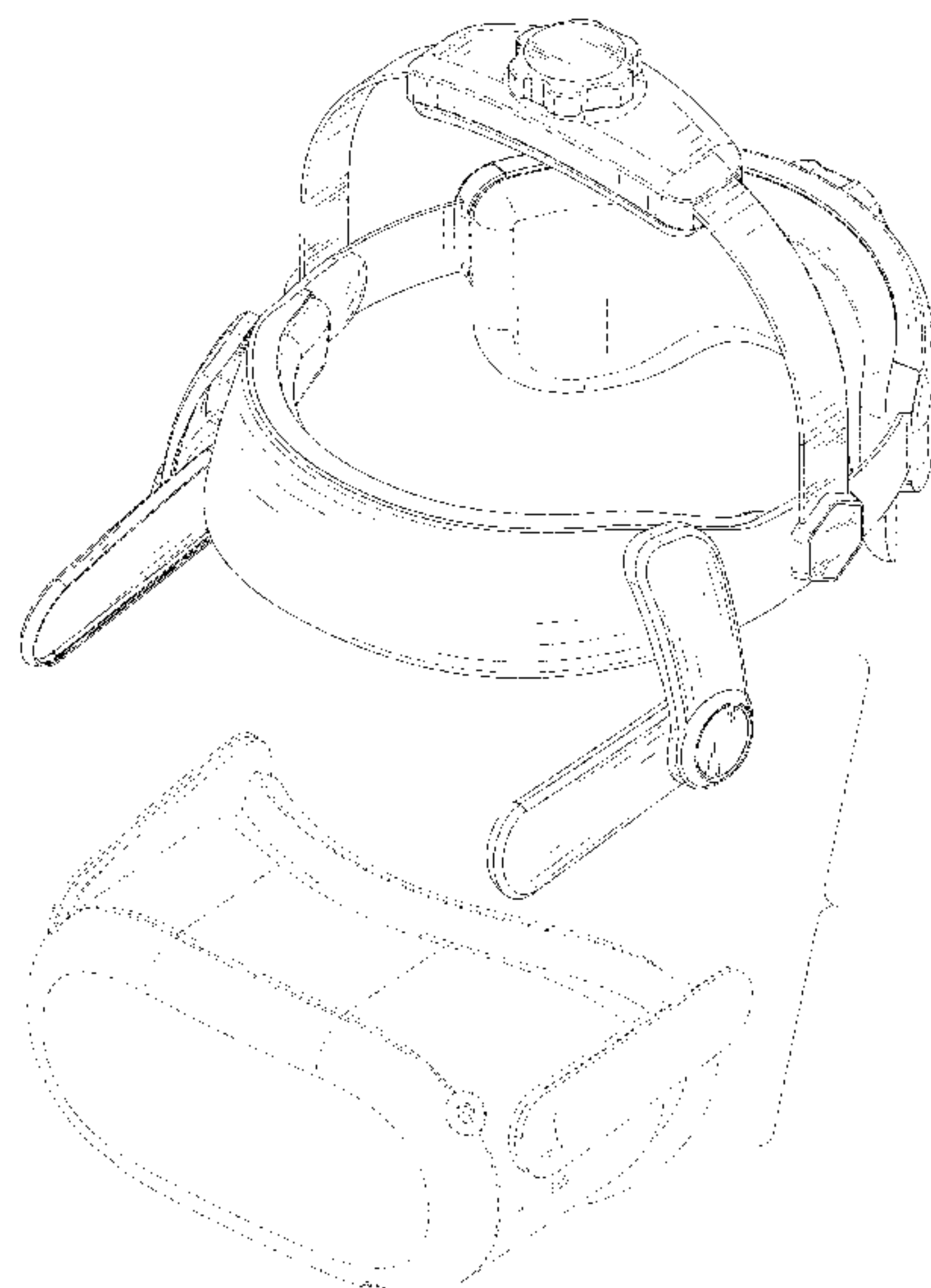
(57) **CLAIM**

The ornamental design for a head strap, as shown and described.

**DESCRIPTION**

FIG. 1 is a perspective view of a head strap showing my new design;  
FIG. 2 is another perspective view thereof;  
FIG. 3 is a front elevational view thereof;  
FIG. 4 is a rear elevational view thereof;  
FIG. 5 is a left side elevational view thereof;  
FIG. 6 is a right side elevational view thereof;  
FIG. 7 is a top plan view thereof;  
FIG. 8 is a bottom plan view thereof;  
FIG. 9 is a perspective view of the head strap where the head strap is assembled with VR glasses; and,  
FIG. 10 is an exploded perspective view thereof.  
The broken lines in FIGS. 9 and 10 showing the VR glasses depict environment and form no part of the claimed design.

**1 Claim, 10 Drawing Sheets**



(56)

**References Cited**

U.S. PATENT DOCUMENTS

D955,387 S *	6/2022	Zhu .....	D14/372
D956,747 S *	7/2022	Huang .....	D14/372
D963,643 S *	9/2022	Zhu .....	D14/372
D963,644 S *	9/2022	Zhu .....	D14/372
D964,662 S *	9/2022	Votel .....	D29/102
D967,820 S *	10/2022	Ren .....	D14/372
D971,870 S *	12/2022	Li .....	D2/866
D971,871 S *	12/2022	Li .....	D2/866
D973,053 S *	12/2022	Wu .....	D14/372

\* cited by examiner

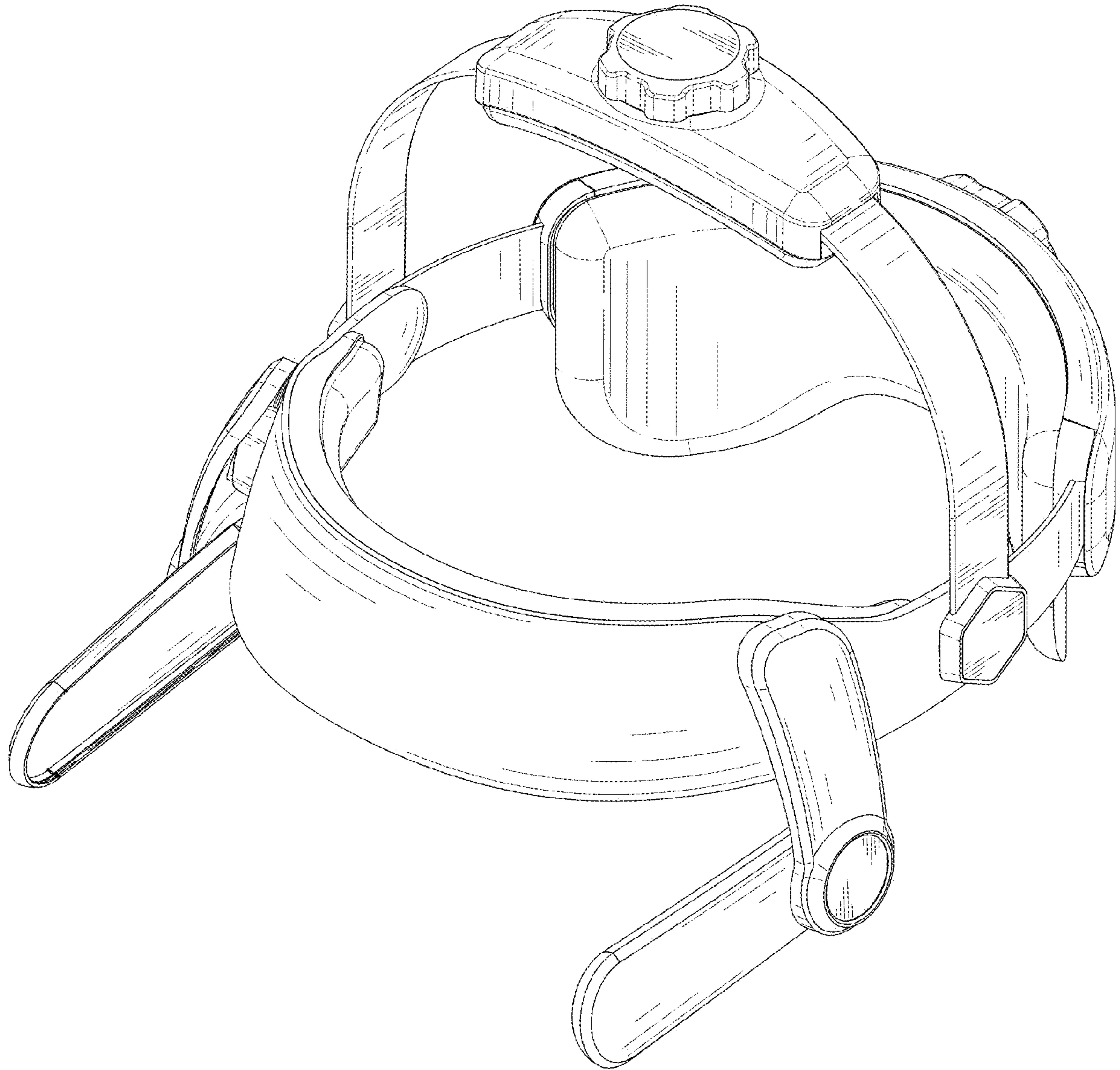


FIG. 1

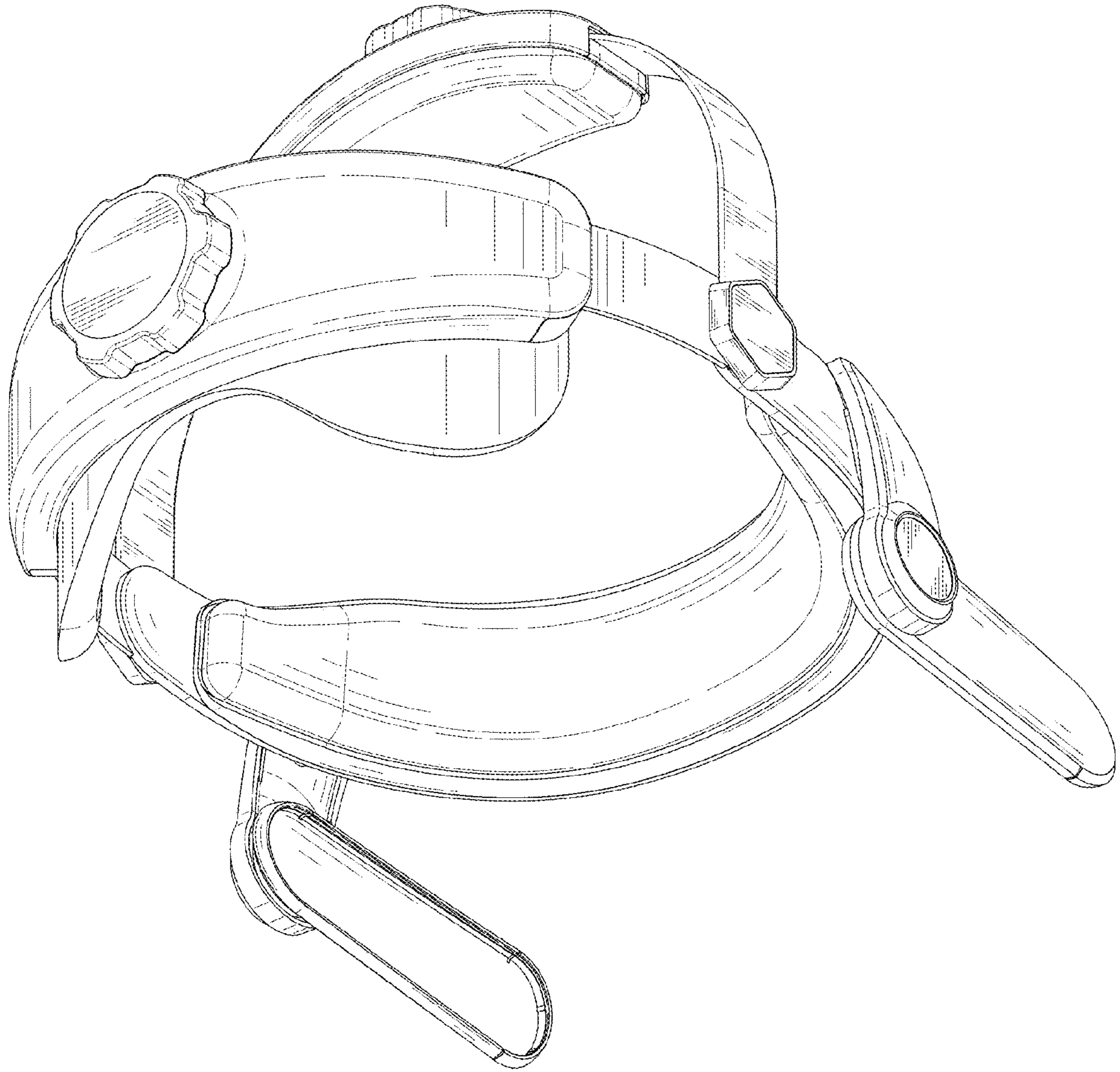


FIG. 2



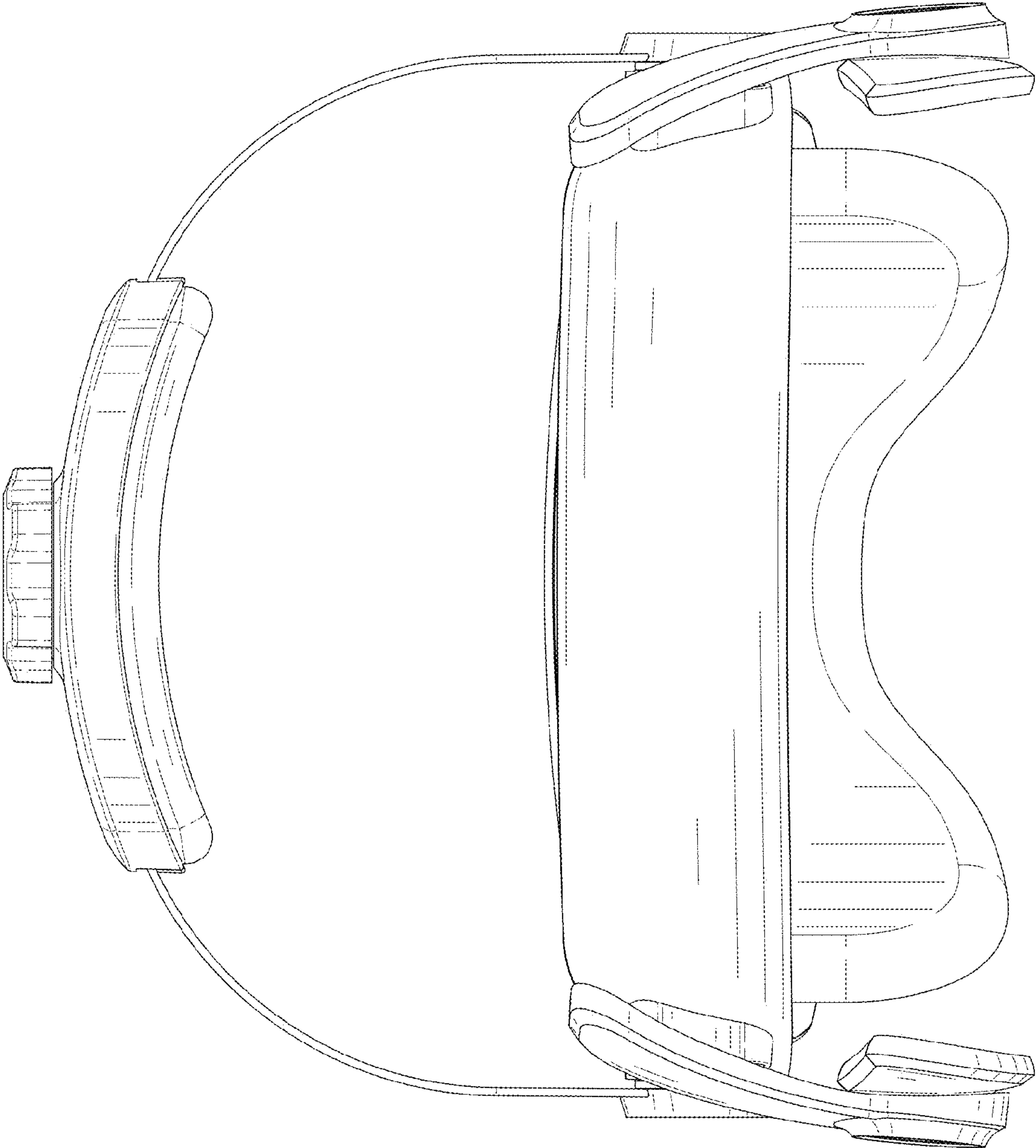


FIG. 3

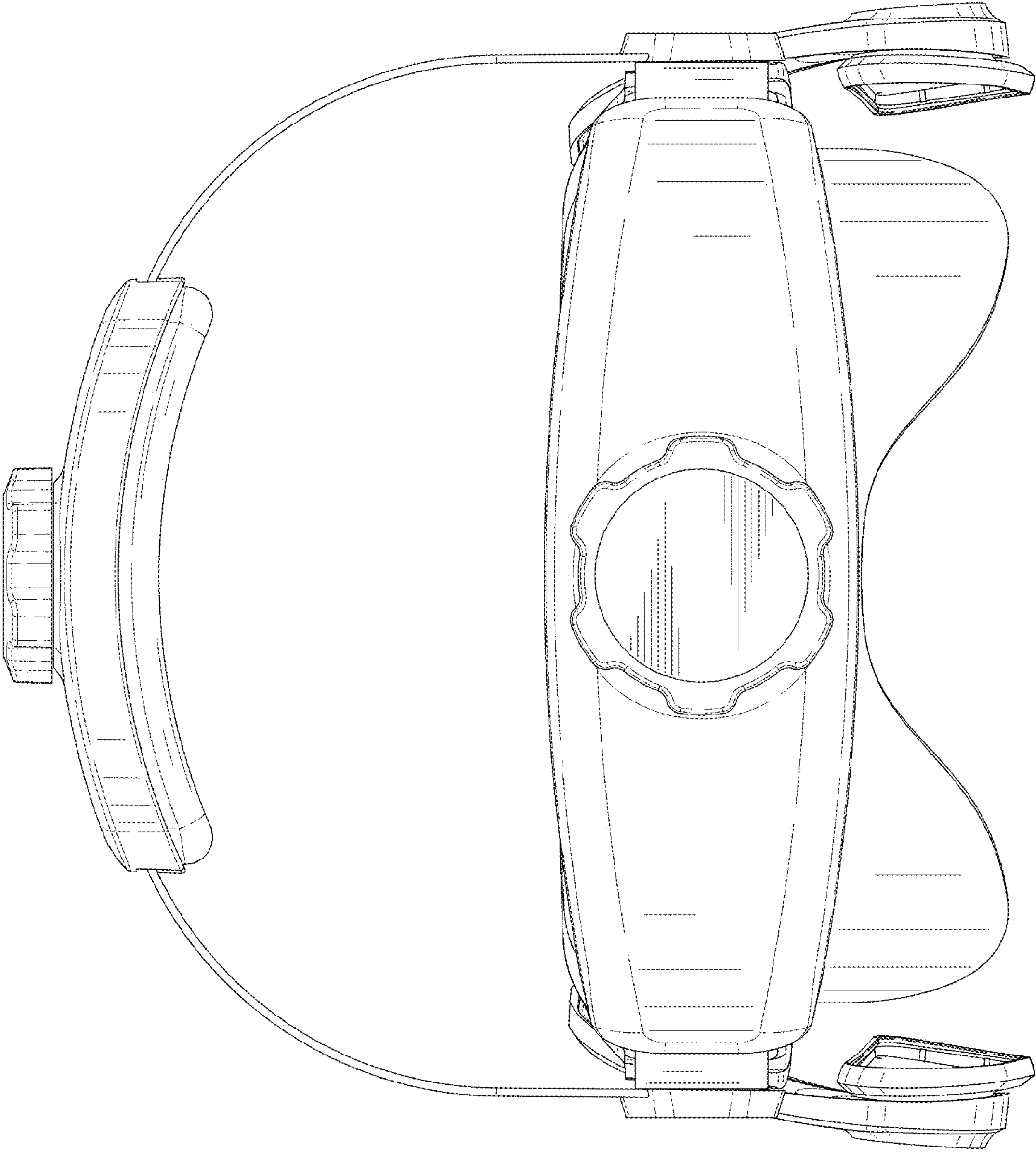


FIG. 4

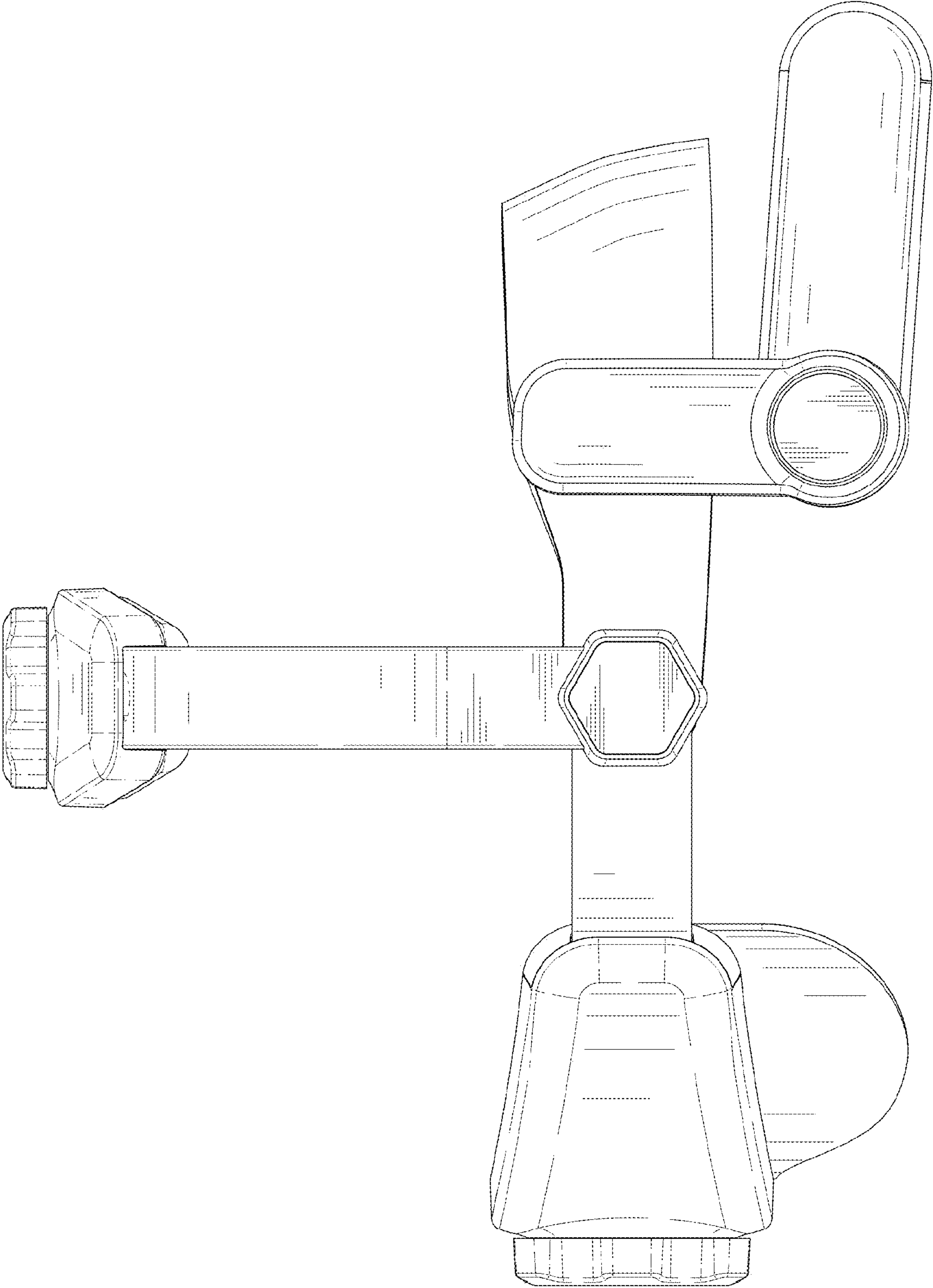


FIG. 5

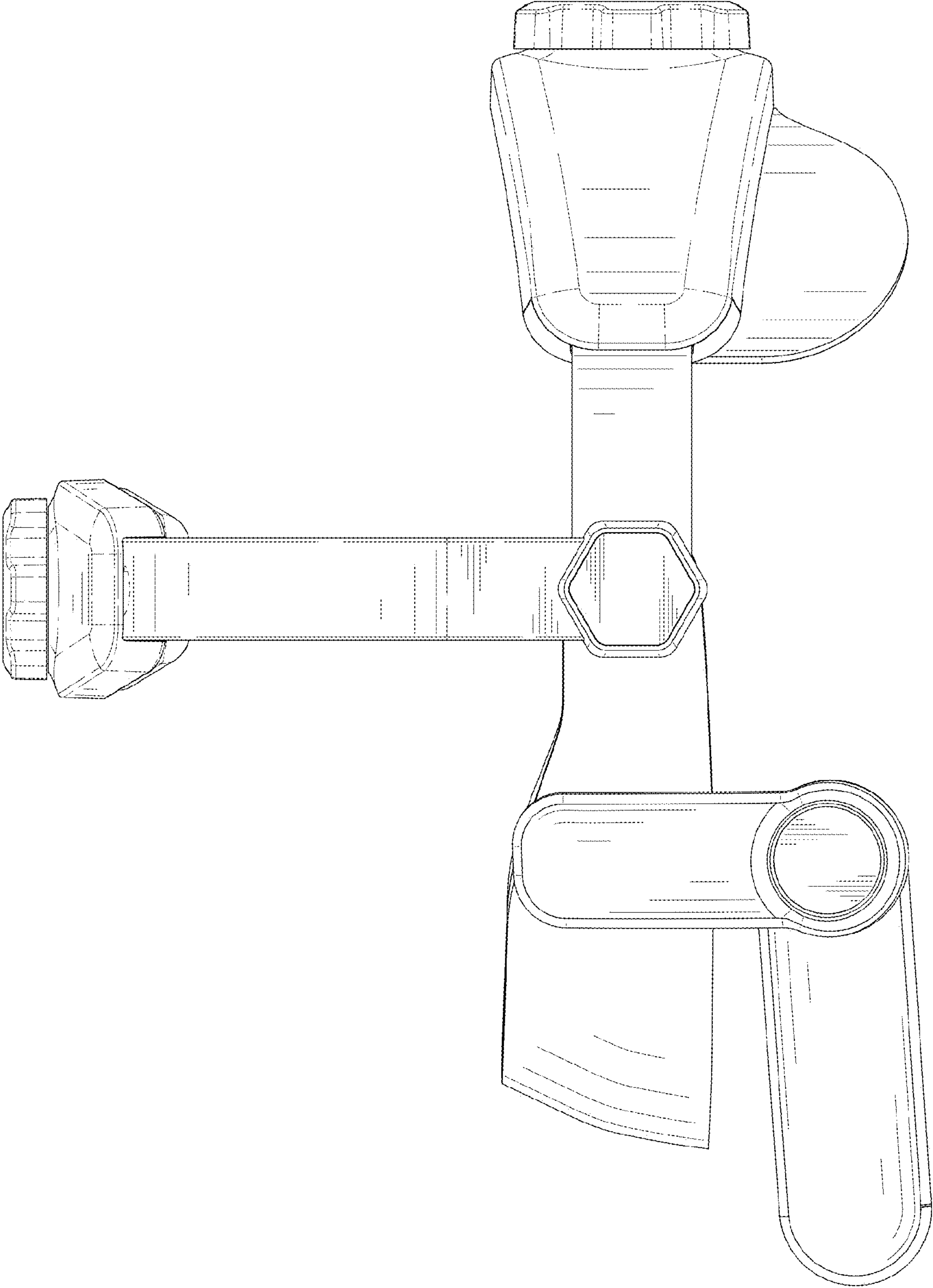


FIG. 6



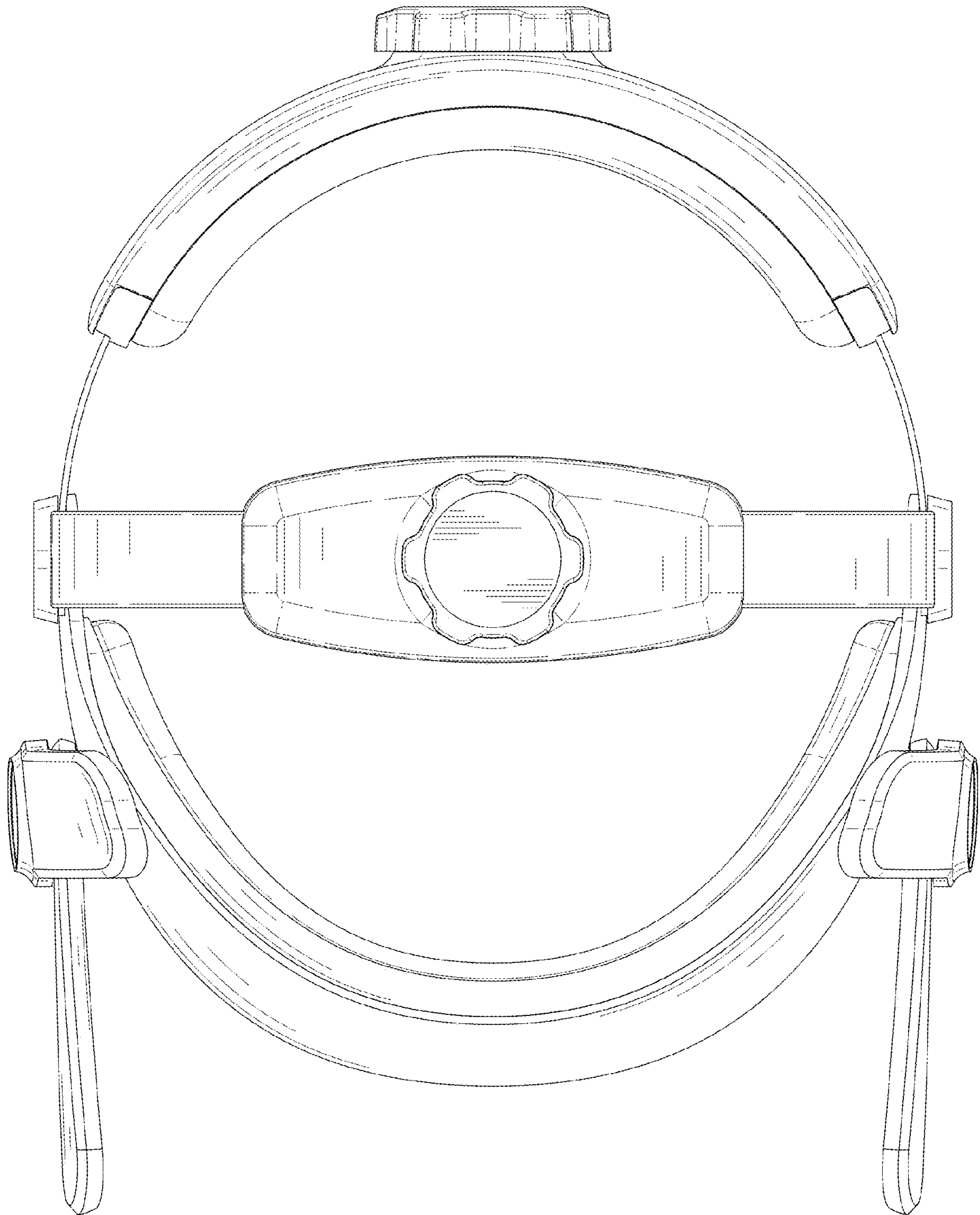


FIG. 7

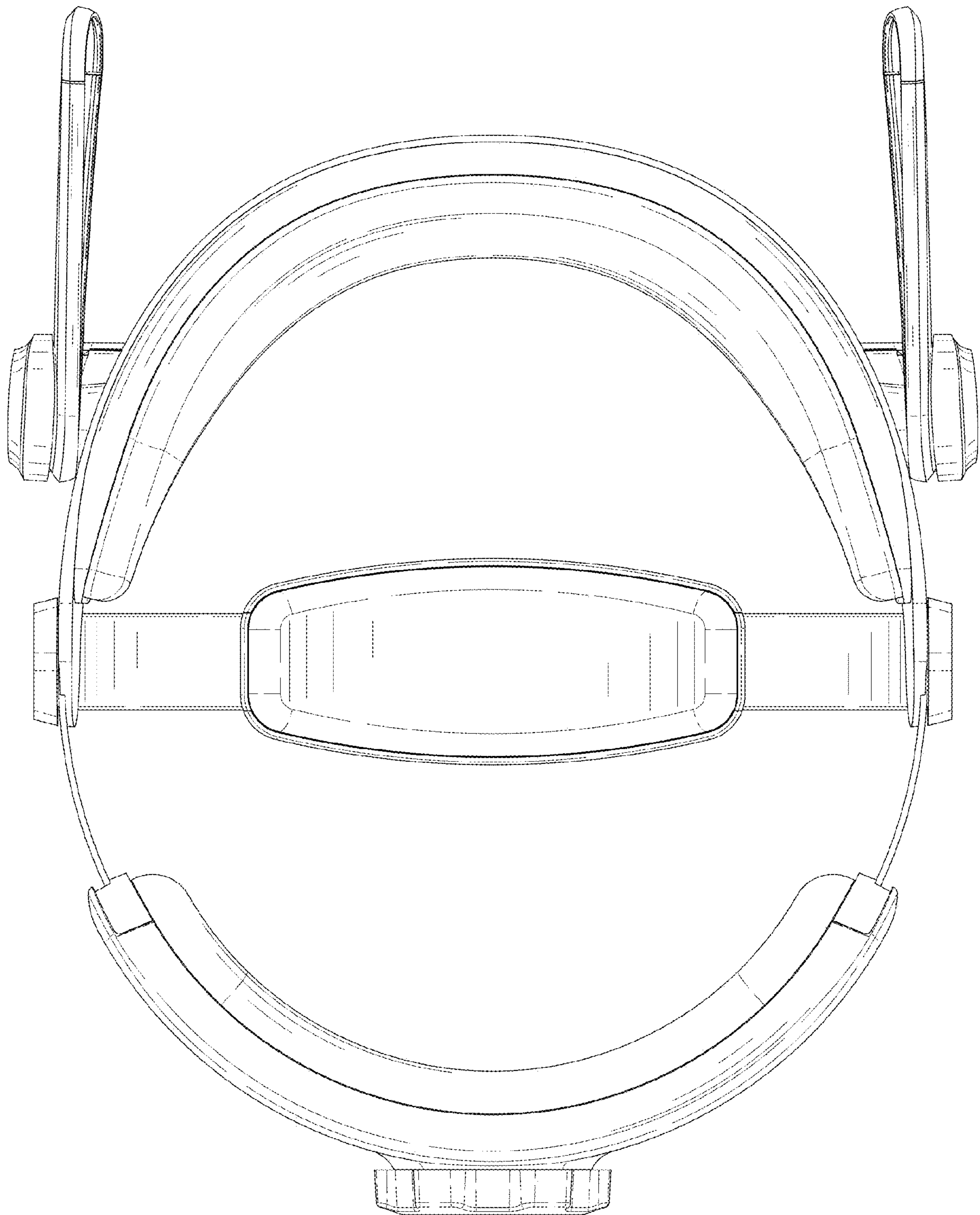


FIG. 8

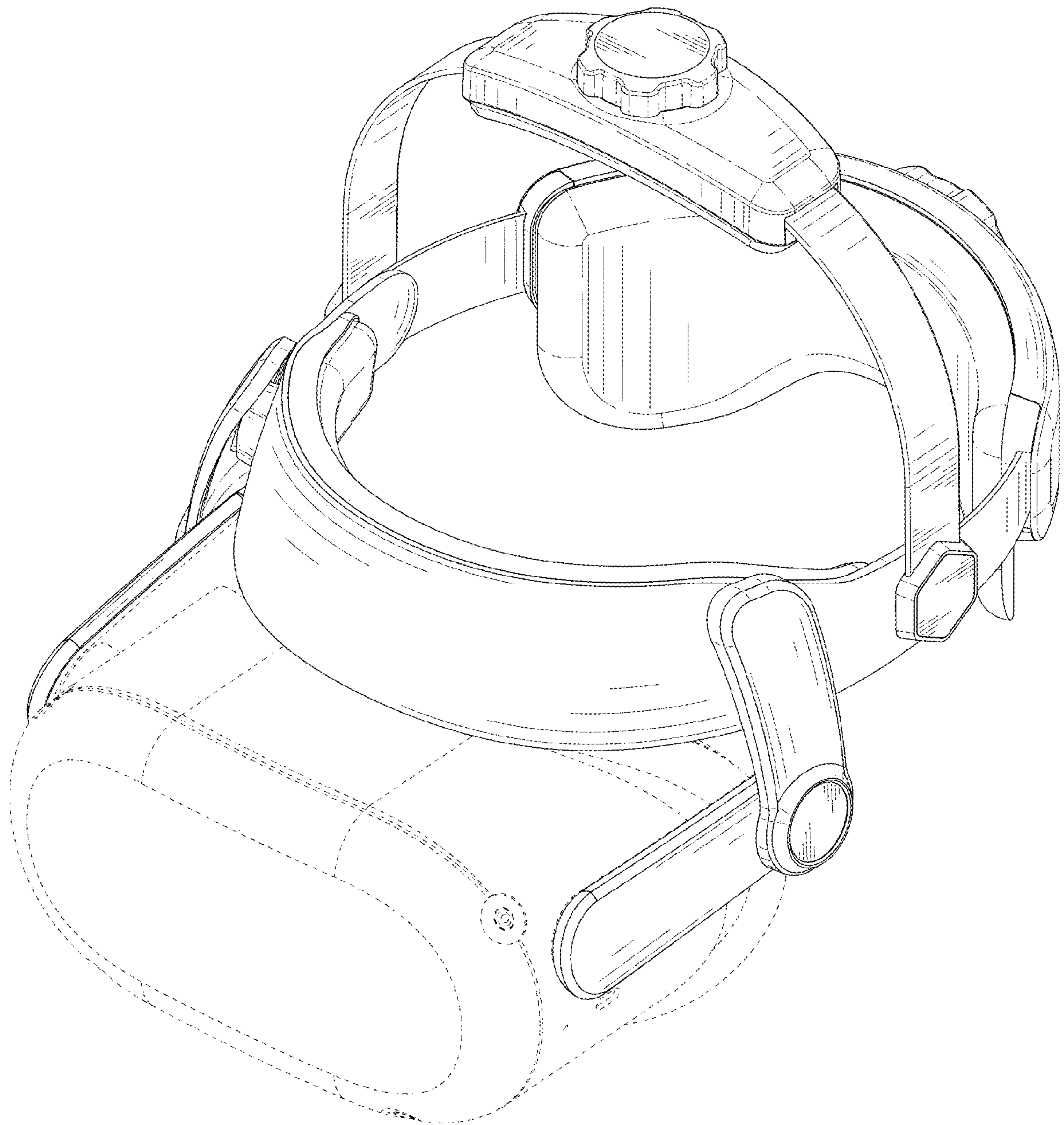


FIG. 9



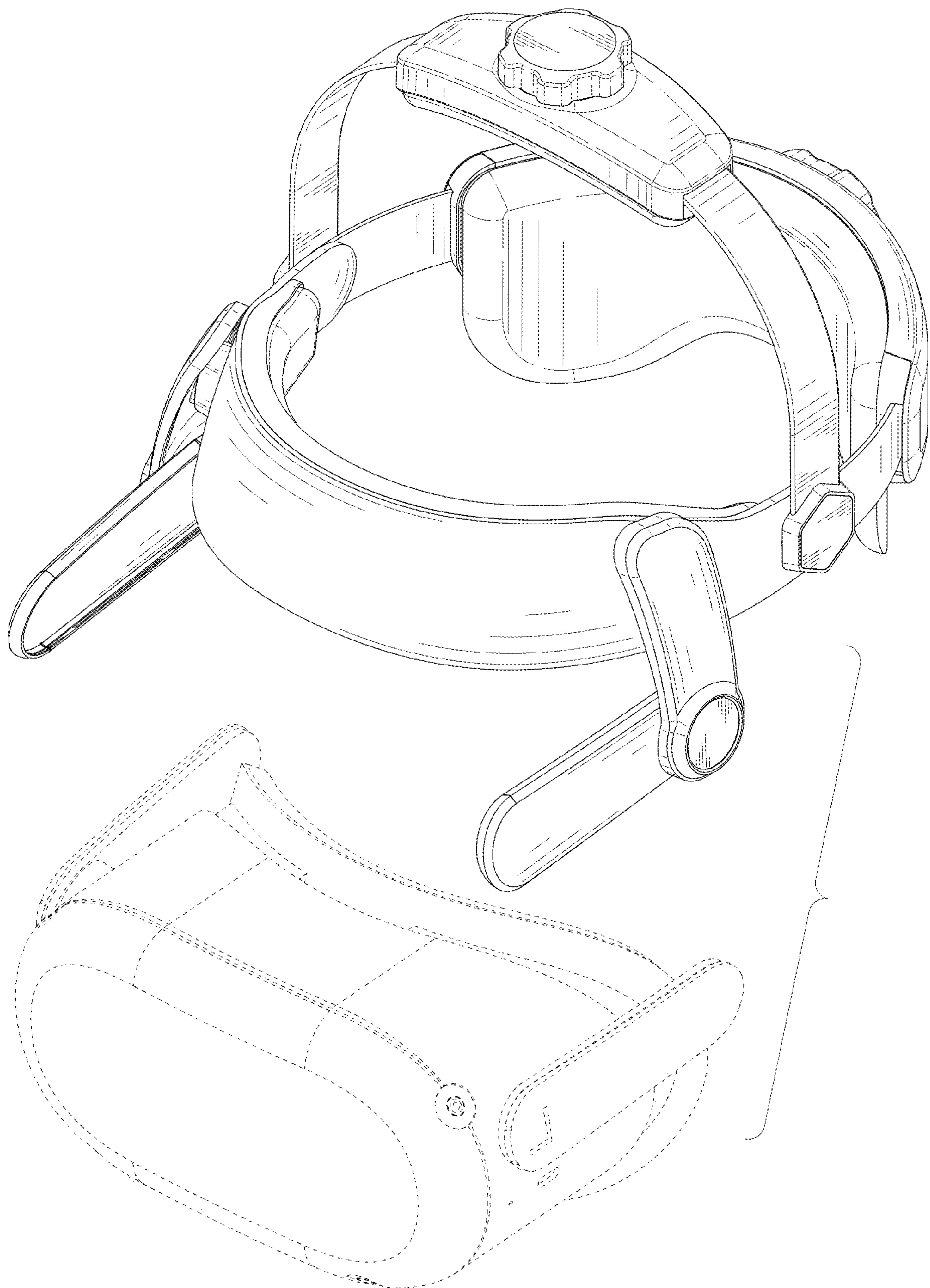


FIG. 10