



US00D986533S

(12) **United States Design Patent**
Winkel

(10) **Patent No.:** **US D986,533 S**

(45) **Date of Patent:** **** May 23, 2023**

(54) **SWIMSUIT BOTTOM WITH WINDOW**

(71) Applicant: **W WORKSHOPS, LLC**, Salt Lake City, UT (US)

(72) Inventor: **McKay Winkel**, Salt Lake City, UT (US)

(73) Assignee: **W Workshops, LLC**, Salt Lake City, UT (US)

(**) Term: **15 Years**

(21) Appl. No.: **29/777,150**

(22) Filed: **Apr. 2, 2021**

(51) **LOC (14) Cl.** **02-02**

(52) **U.S. Cl.**
USPC **D2/731**

(58) **Field of Classification Search**
USPC D2/700, 706, 708, 711, 712, 713, 731,
D2/732, 733, 737, 738, 742
CPC A41B 9/02; A41B 9/023; A41B 9/001;
A41B 9/04; A41B 9/12; A41B 9/14;
A41B 2300/20; A41C 3/00; A41C
3/0057; A41D 7/00; A41D 11/00; A41D
7/005

See application file for complete search history.

(56) **References Cited**

U.S. PATENT DOCUMENTS

2,102,323	A *	12/1937	Kneibler	A41D 7/005
					D2/738
D313,109	S *	12/1990	Anthony	D2/742
6,473,908	B1 *	11/2002	Bontems	A41D 1/062
					2/400
D472,365	S *	4/2003	Milien	D2/712
D530,061	S *	10/2006	Alvarez-Calderon	D2/882
D540,010	S *	4/2007	Imboden	D2/713
D581,628	S *	12/2008	Spring	D2/712
D627,133	S *	11/2010	Hendrickson	D2/712

D630,413	S *	1/2011	Calabria	D2/712
D667,198	S *	9/2012	Calabria	D2/712
D667,609	S *	9/2012	Zorin	D2/713

(Continued)

OTHER PUBLICATIONS

ASOS Design Briefs in White With Cut-Out Panel, posting date not available [online], [retrieved Jan. 6, 2023]. Retrieved from internet, <https://www.asos.com/us/asos-design/asos-design-briefs-in-white-with-cut-out-panel/prd/202373712> (Year: 2023).*

(Continued)

Primary Examiner — Jonathan J Han

Assistant Examiner — Caitlin MacKenzie Williams

(74) *Attorney, Agent, or Firm* — Workman Nydegger

(57) **CLAIM**

The ornamental design for a swimsuit bottom with window, as shown and described.

DESCRIPTION

FIG. 1 is a perspective view of a swimsuit bottom with window showing the design;

FIG. 2 is a rear elevational view of the swimsuit bottom with window of FIG. 1;

FIG. 3 is a front elevational view of the swimsuit bottom with window of FIG. 1;

FIG. 4 is a top plan view of the swimsuit bottom with window of FIG. 1;

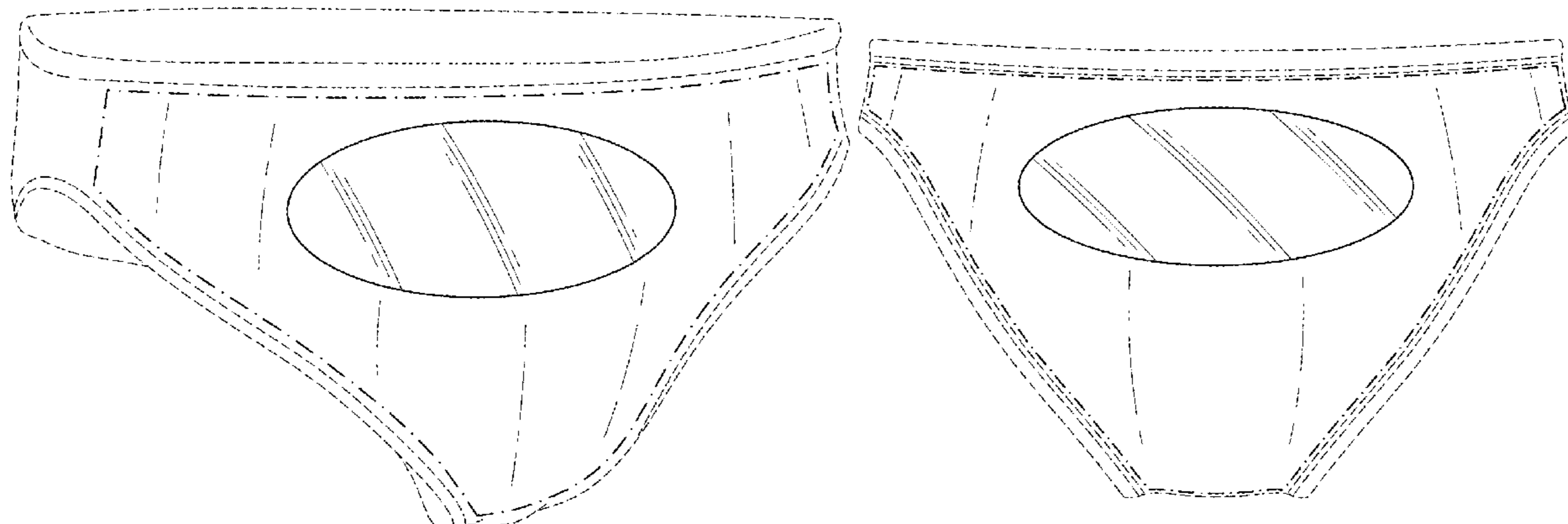
FIG. 5 is a bottom plan view of the swimsuit bottom with window of FIG. 1;

FIG. 6 is a left elevational view of the swimsuit bottom with window of FIG. 1; and,

FIG. 7 is a right elevational view of the swimsuit bottom with window of FIG. 1.

The dash-dash broken lines in the drawings depict portions of the swimsuit bottom with window that form no part of the claimed design. The long dash-dot broken lines in the drawings define the boundaries of the claim and form no part thereof.

1 Claim, 3 Drawing Sheets



(56)

References Cited

U.S. PATENT DOCUMENTS

D716,020 S * 10/2014 Dunbar D2/712
D733,396 S * 7/2015 Waters D2/716
D733,997 S * 7/2015 Brown D2/731
D872,440 S * 1/2020 Matthews D2/947
D907,897 S * 1/2021 Barlow D2/731
D948,843 S * 4/2022 Carpenter D2/704
D972,250 S * 12/2022 Govier D2/712
2017/0086509 A1 * 3/2017 Etienne A41B 9/04
2020/0000155 A1 * 1/2020 Etienne A61F 13/505
2020/0390161 A1 * 12/2020 Liou A41B 9/001
2021/0100698 A1 * 4/2021 Langdon A61F 13/51456
2021/0251303 A1 * 8/2021 Collins A41B 17/00
2022/0287391 A1 * 9/2022 Segar B32B 27/306
2022/0408848 A1 * 12/2022 Krupa A61F 13/15268

OTHER PUBLICATIONS

White Floral Knotted Cutout Bikini Bottom, posting date not available [online], [retrieved Jan. 6, 2023]. Retrieved from internet, <https://poshmark.com/listing/White-Floral-Knotted-Cutout-Bikini-Bottom-60e517ffce1e87f55bf43a8e> (Year: 2023).*

Doreanse Window Thong, posting date not available [online], [retrieved Jan. 6, 2023]. Retrieved from internet, <https://www.freshpair.com/products/doreanse-window-thong-1224> (Year: 2023).*

Keyhole Underwear Is the Newest Lingerie Trend, posted Oct. 31, 2018 [online], [retrieved Jan. 6, 2023]. Retrieved from internet, <https://www.whowhatwear.com/keyhole-underwear-trend> (Year: 2018).*

* cited by examiner

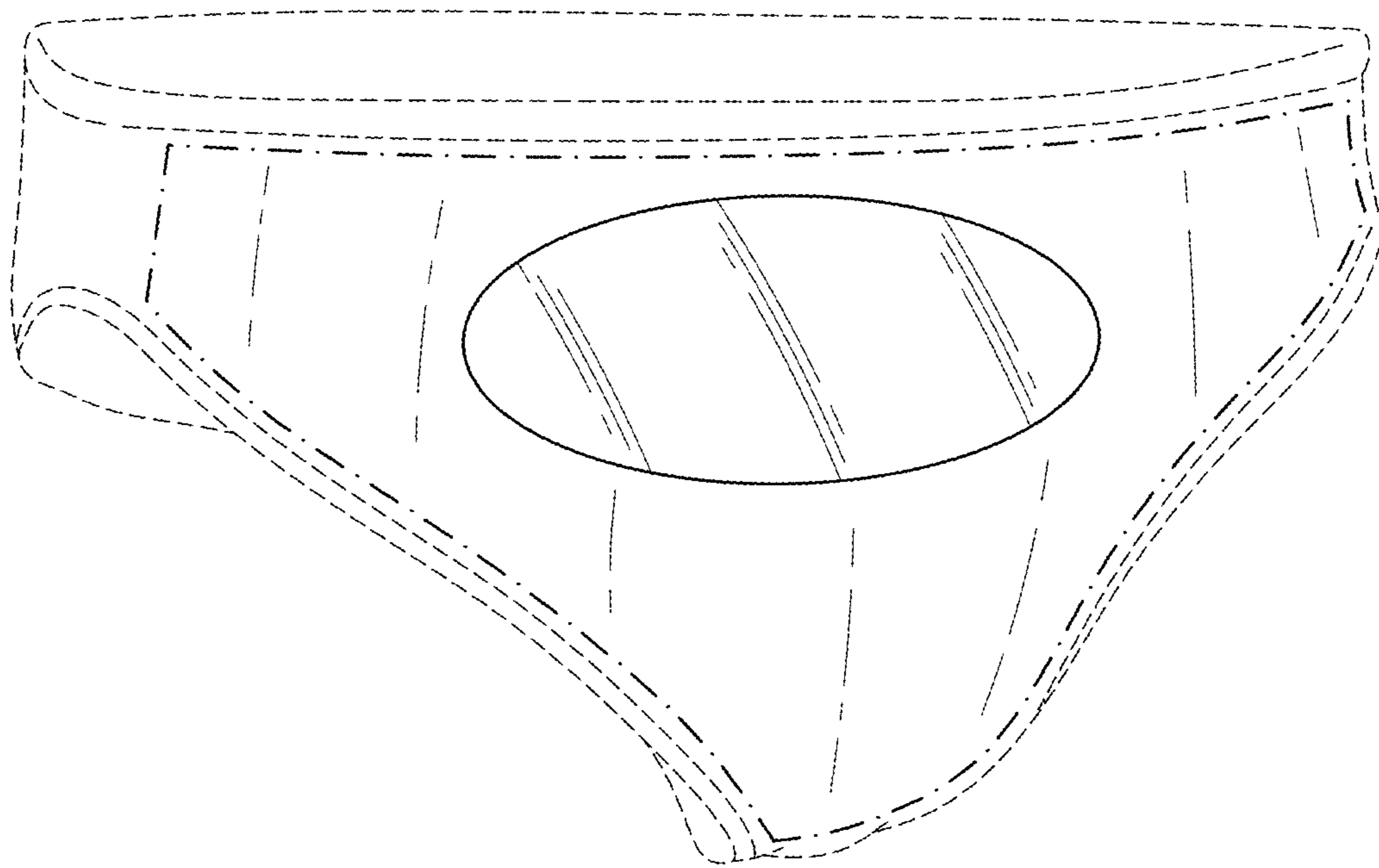


FIG. 1

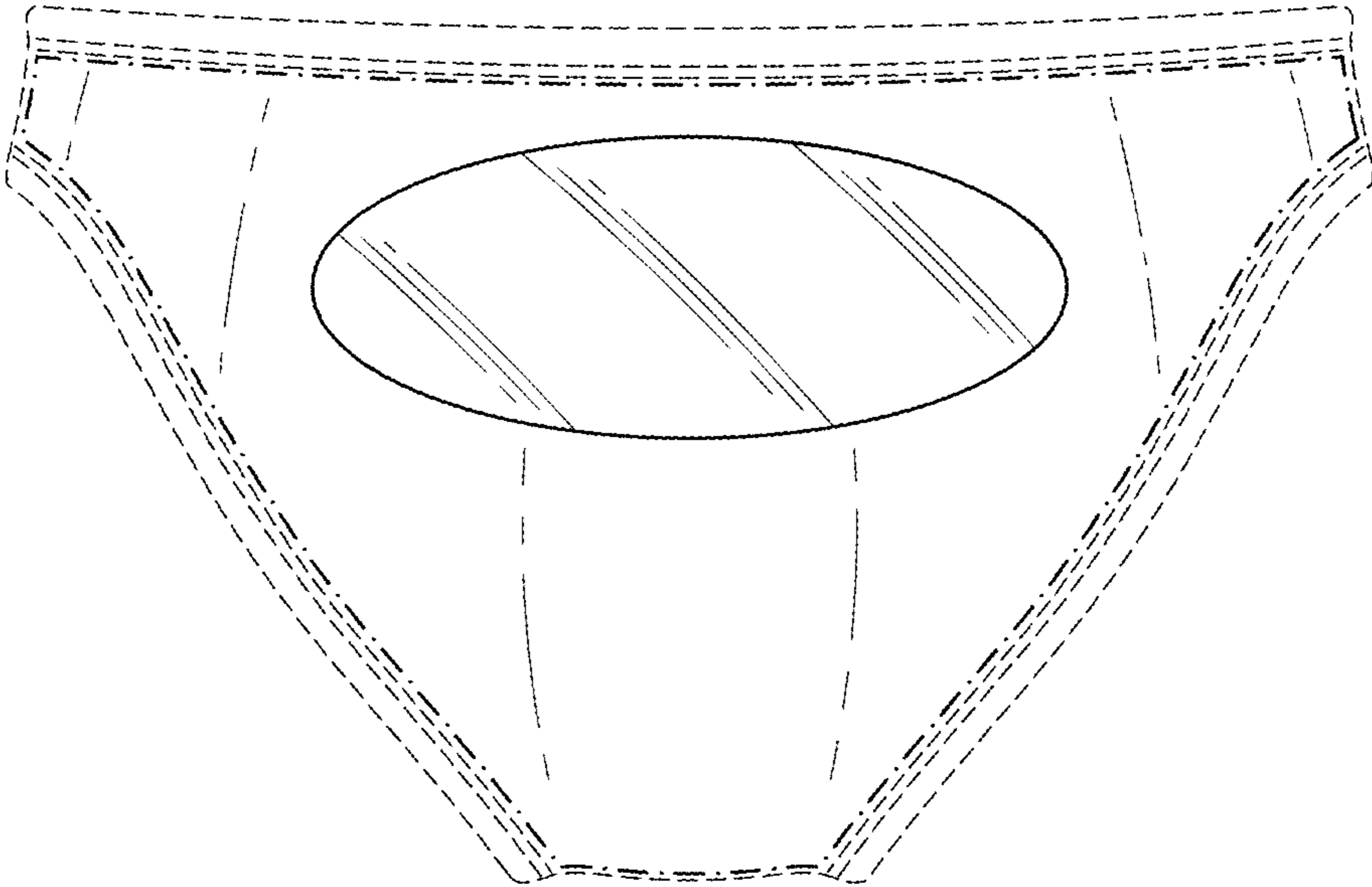


FIG. 2

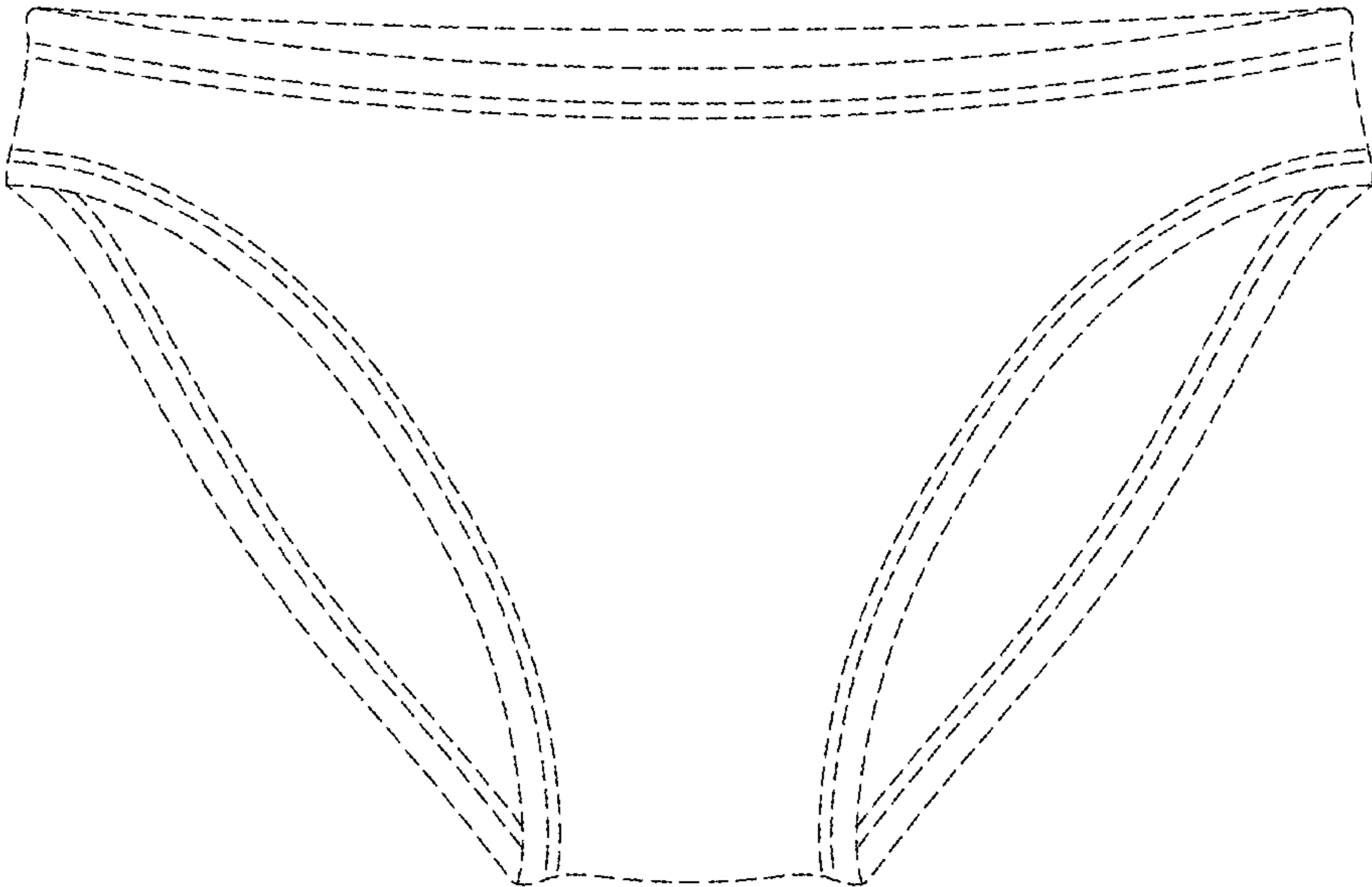


FIG. 3

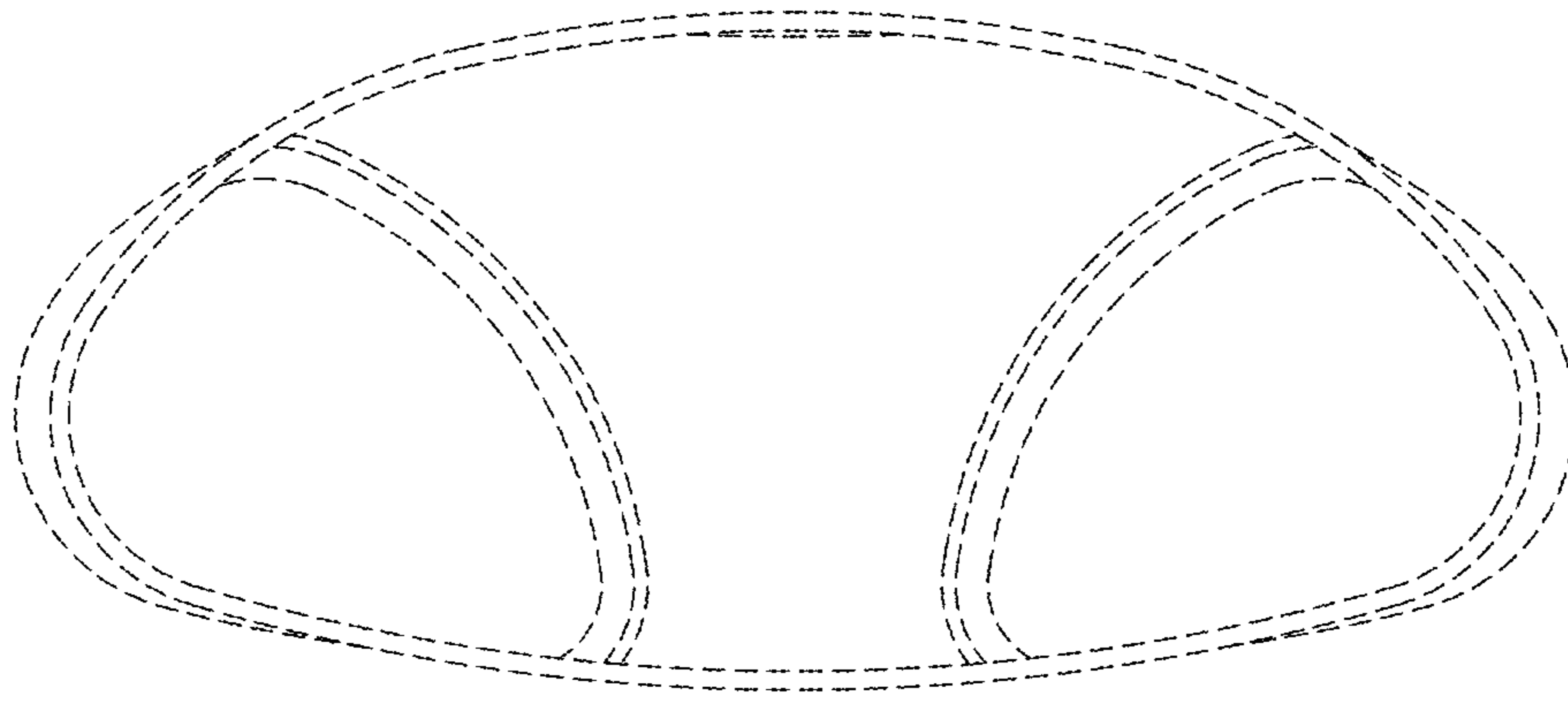


FIG. 4

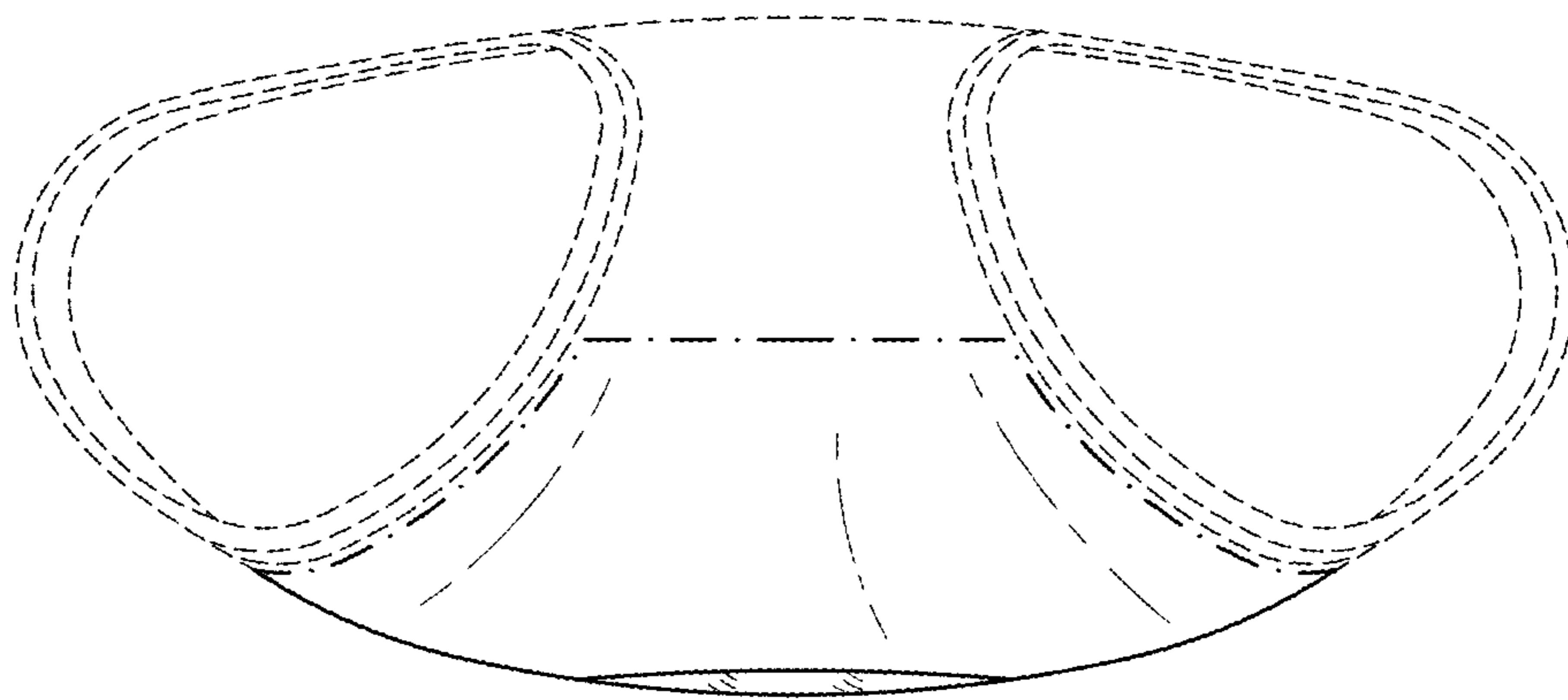


FIG. 5

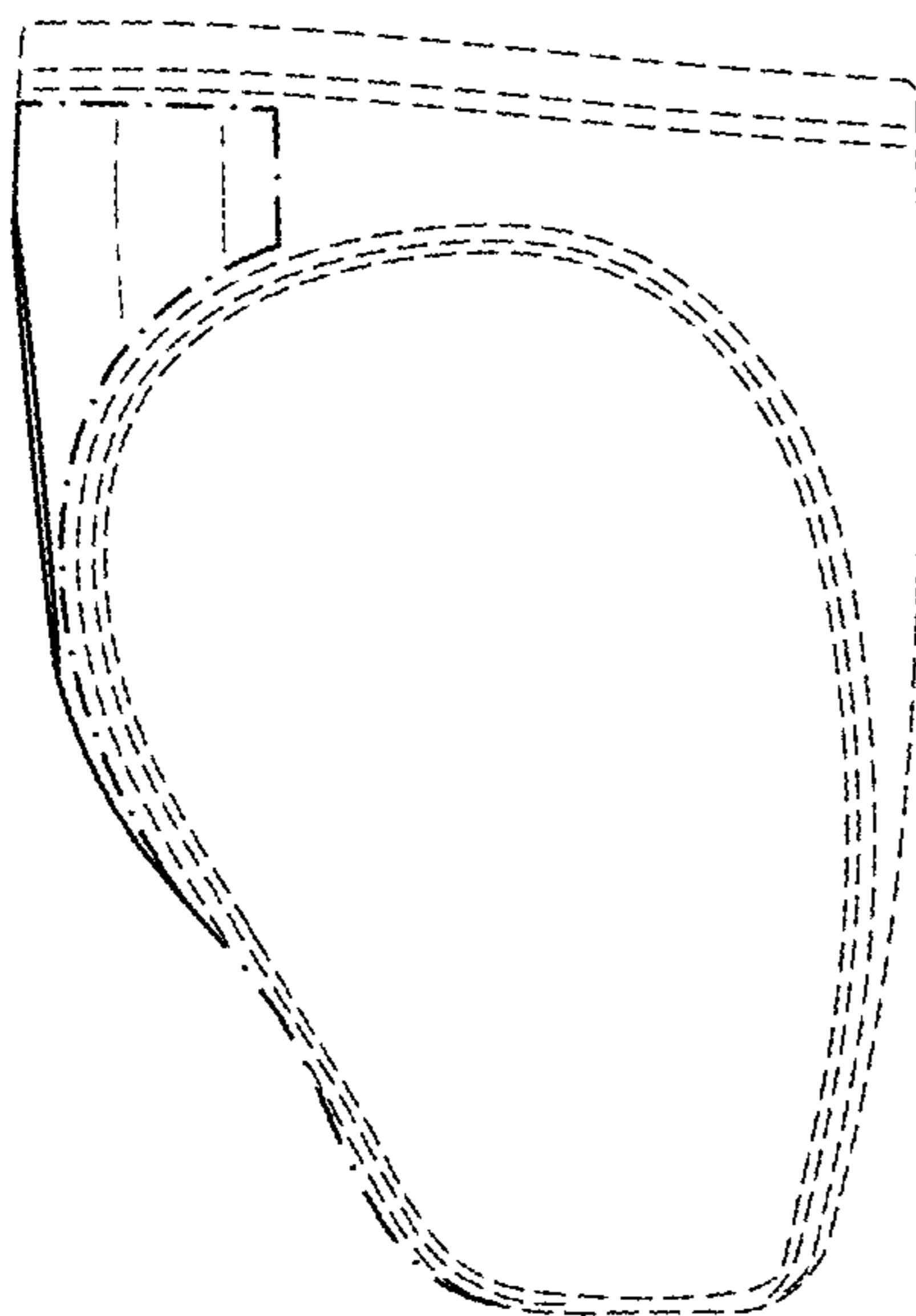


FIG. 6

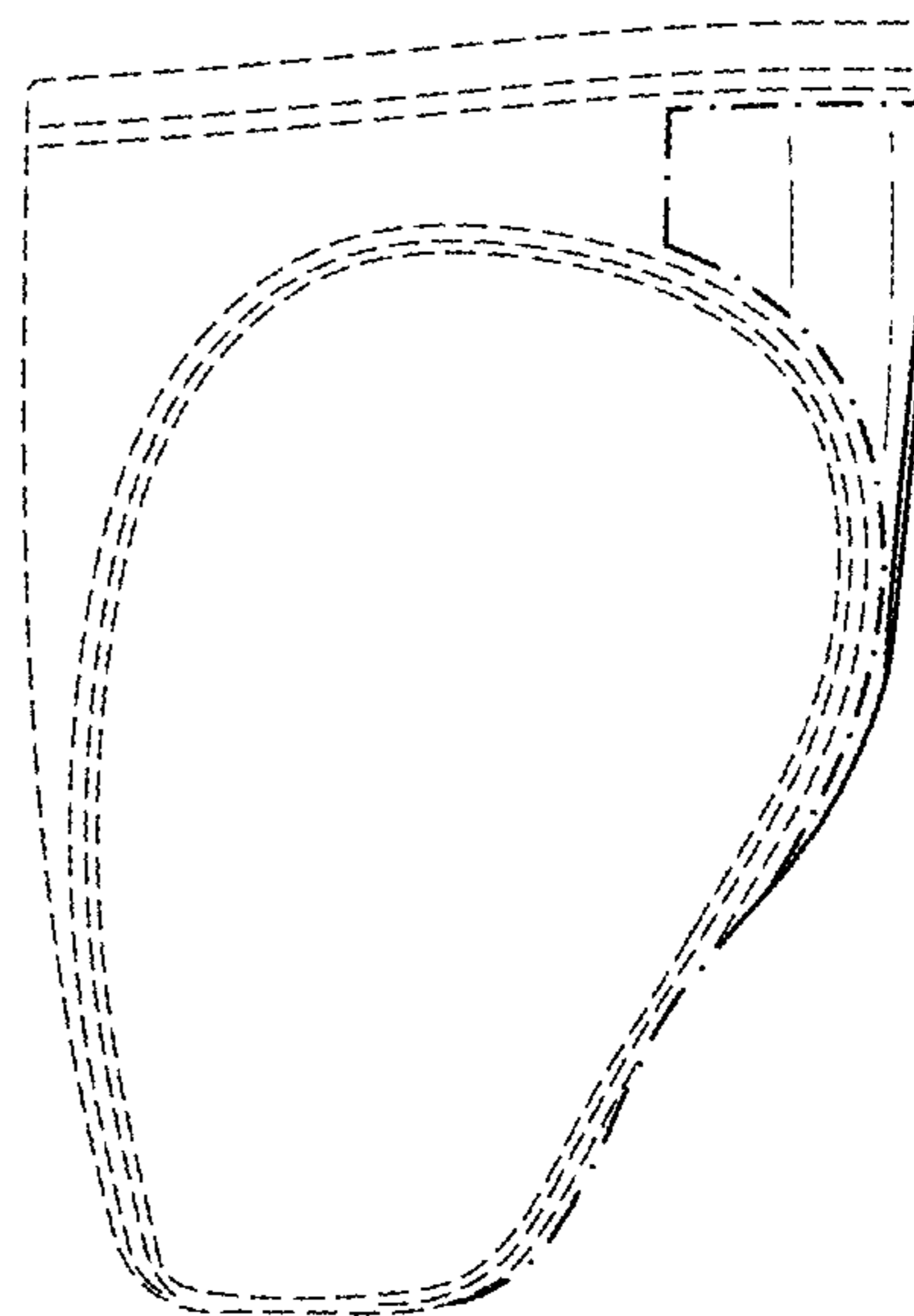


FIG. 7