



US00D986528S

(12) **United States Design Patent** (10) **Patent No.:** **US D986,528 S**
Plociak et al. (45) **Date of Patent:** **** May 23, 2023**

(54) **CONFECTIONERY**

(71) Applicant: **INTERCONTINENTAL GREAT BRANDS LLC**, East Hanover, NJ (US)

(72) Inventors: **Anna Plociak**, Montclair, NJ (US);
Francis Amoako-Poku, Skillman, NJ (US); **Louisa Fitzgerald**, Chicago, IL (US); **Kenneth Mellaart**, Scharendijke (NL)

(73) Assignee: **INTERCONTINENTAL GREAT BRANDS LLC**, East Hanover, NJ (US)

(**) Term: **15 Years**

(21) Appl. No.: **29/815,145**

(22) Filed: **Nov. 11, 2021**

(51) **LOC (14) Cl.** **01-01**

(52) **U.S. Cl.**
USPC **D1/111**

(58) **Field of Classification Search**
USPC D1/100–130, 199; 426/104, 115, 121,
426/129, 130, 144, 273, 274, 303, 414,
(Continued)

(56) **References Cited**

U.S. PATENT DOCUMENTS

2,605,577 A * 8/1952 Waugler A01K 85/02
43/42.47
D243,954 S * 4/1977 Raquel D22/133
(Continued)

OTHER PUBLICATIONS

Candy Machines.com, “Swedish Fish Aqua Life Peg Bag,”
CandyMachines.com, retrieved from the Internet on Jul. 15, 2021,
pp. 1-2—<https://www.candymachines.com/Swedish-Fish-Aqua-Life-Peg-Bag-P851.aspx>.

(Continued)

Primary Examiner — Katie Jane Stofko

(74) *Attorney, Agent, or Firm* — Cantor Colburn LLP

(57) **CLAIM**

We claim, the ornamental design for a confectionery, as shown and described.

DESCRIPTION

FIG. 1 is first embodiment of a front, top and left side perspective view of a confectionery, showing our new design;

FIG. 2 is a top plan view thereof;

FIG. 3 is a bottom plan view thereof;

FIG. 4 is a right side elevation view thereof;

FIG. 5 is a left side elevation view thereof;

FIG. 6 is a rear elevation view thereof;

FIG. 7 is a front elevation view thereof;

FIG. 8 is second embodiment of a front, top and left side perspective view of a confectionery, showing our new design;

FIG. 9 is a top plan view thereof;

FIG. 10 is a bottom plan view thereof;

FIG. 11 is a right side elevation view thereof;

FIG. 12 is a left side elevation view thereof;

FIG. 13 is a rear elevation view thereof;

FIG. 14 is a front elevation view thereof;

FIG. 15 is third embodiment of a front, top and left side perspective view of a confectionery, showing our new design;

FIG. 16 is a top plan view thereof;

FIG. 17 is a bottom plan view thereof;

FIG. 18 is a right side elevation view thereof;

FIG. 19 is a left side elevation view thereof;

FIG. 20 is a rear elevation view thereof;

FIG. 21 is a front elevation view thereof;

FIG. 22 is fourth embodiment of a front, top and left side perspective view of a confectionery, showing our new design;

FIG. 23 is a top plan view thereof;

FIG. 24 is a bottom plan view thereof;

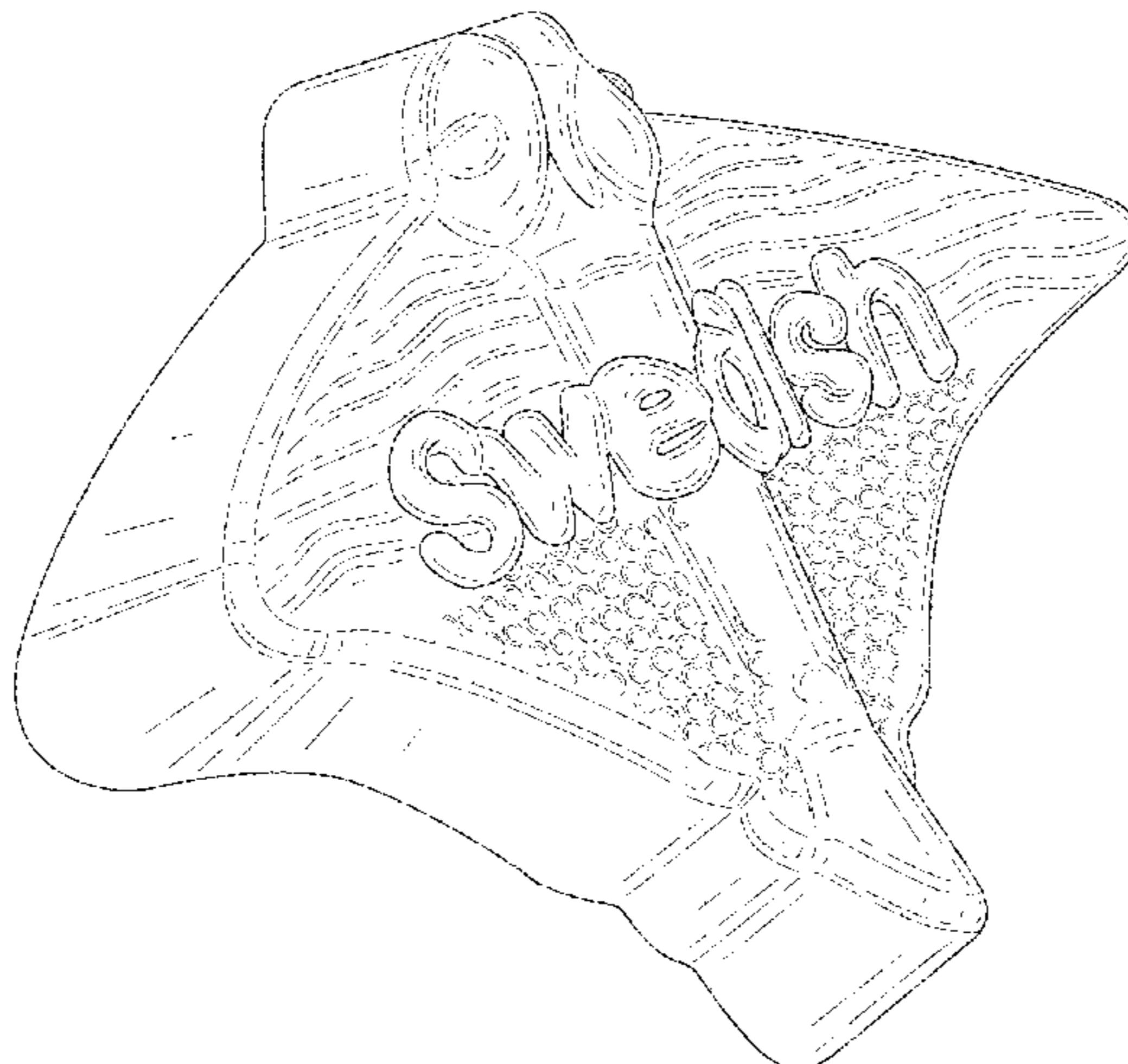
FIG. 25 is a right side elevation view thereof;

FIG. 26 is a left side elevation view thereof;

FIG. 27 is a rear elevation view thereof; and,

FIG. 28 is a front elevation view thereof.

(Continued)



The broken line disclosure forms no part of the claimed design. The dash dot lines define a boundary line between claimed and unclaimed subject matter.

1 Claim, 20 Drawing Sheets

(58) Field of Classification Search

USPC 426/517, 518, 803; D21/585, 592, 603;
 D8/348; D24/101–104; D23/207;
 D7/593, 595, 667; D3/211; D12/190;
 D26/47; D11/158, 182; D6/598
 CPC ... A23G 3/54; A23G 4/06; A23G 4/10; A23G
 4/20; A23G 3/50

See application file for complete search history.

(56) References Cited

U.S. PATENT DOCUMENTS

D315,047 S *	3/1991	Alpers	D1/111
D315,048 S *	3/1991	Alpers	D1/111
D315,049 S *	3/1991	Alpers	D1/111

D325,069 S *	3/1992	Gaury	D24/102
D353,428 S *	12/1994	Aymar	D21/576
D405,866 S *	2/1999	Laney	D22/145
D406,310 S *	3/1999	Laney	D22/126
5,918,408 A *	7/1999	Laney	A01K 95/005 43/44.9
D433,210 S *	11/2000	Allison	D2/741
D540,111 S *	4/2007	Nichols	D7/354
D959,090 S *	8/2022	Polak	D1/127

OTHER PUBLICATIONS

Dylan's Candy Bar, "Under the Sea Grab & Go Pouch," DylansCandybar.com, retrieved from the Internet on Jul. 15, 2021, pp. 1-8—<https://www.dylanscandybar.com/products/dylans-candy-bar-good-to-go-under-the-sea-gummy-pouch>.

Matty, "Haribo Sea Friends: When More of the Same is Just Fine," Candy Gurus, May 8, 2018, pp. 1-3—<https://www.candygurus.com/haribo-sea-friends-when-more-of-the-same-is-good/>.

Panda Bytes, "Scandinavian Swimmers," PandaBytes.com, Jan. 9, 2016, pp. 1-6—<http://pandabytes.blogspot.com/2016/01/scandinavian-swimmers.html>.

* cited by examiner

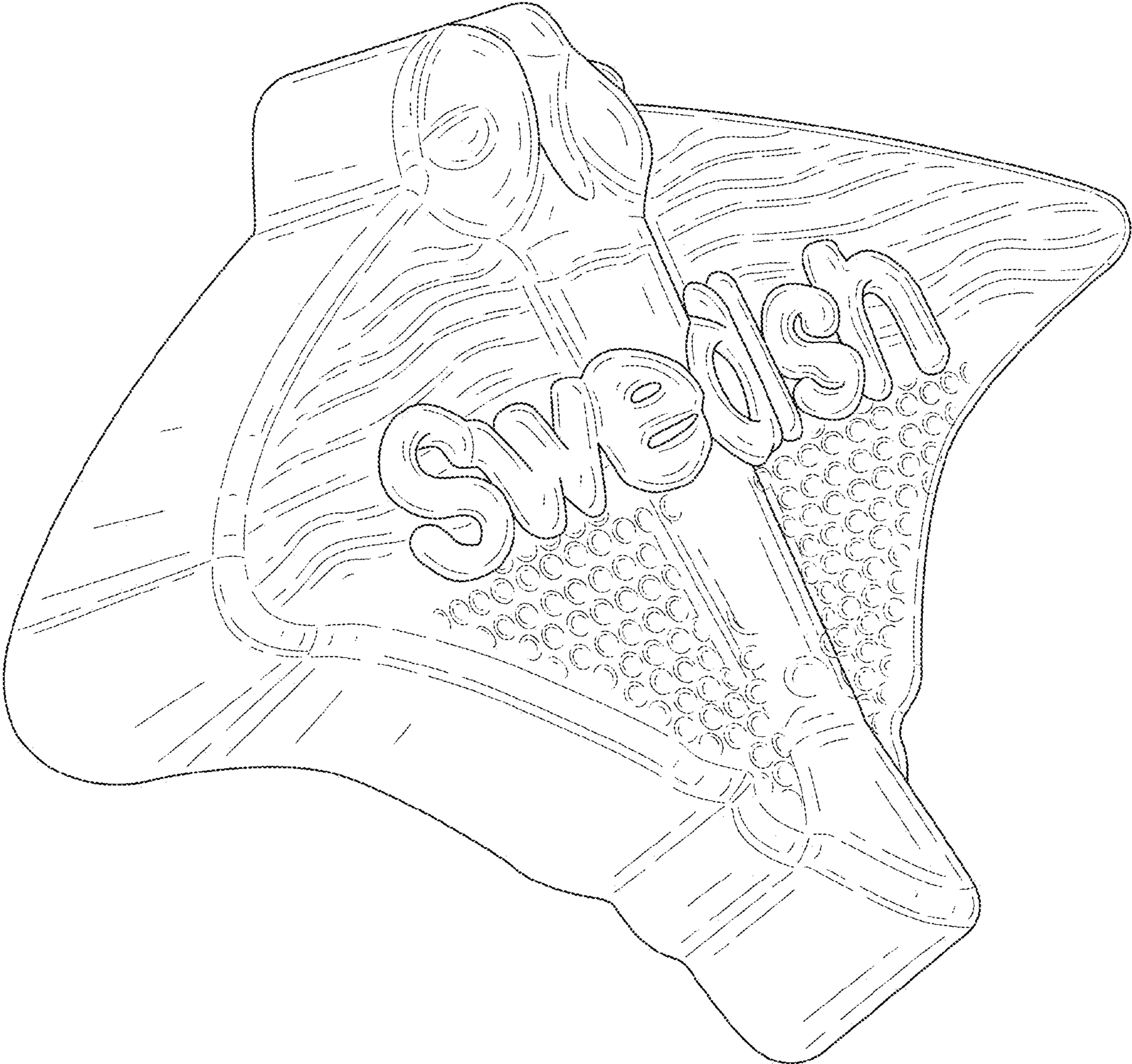


FIG. 1

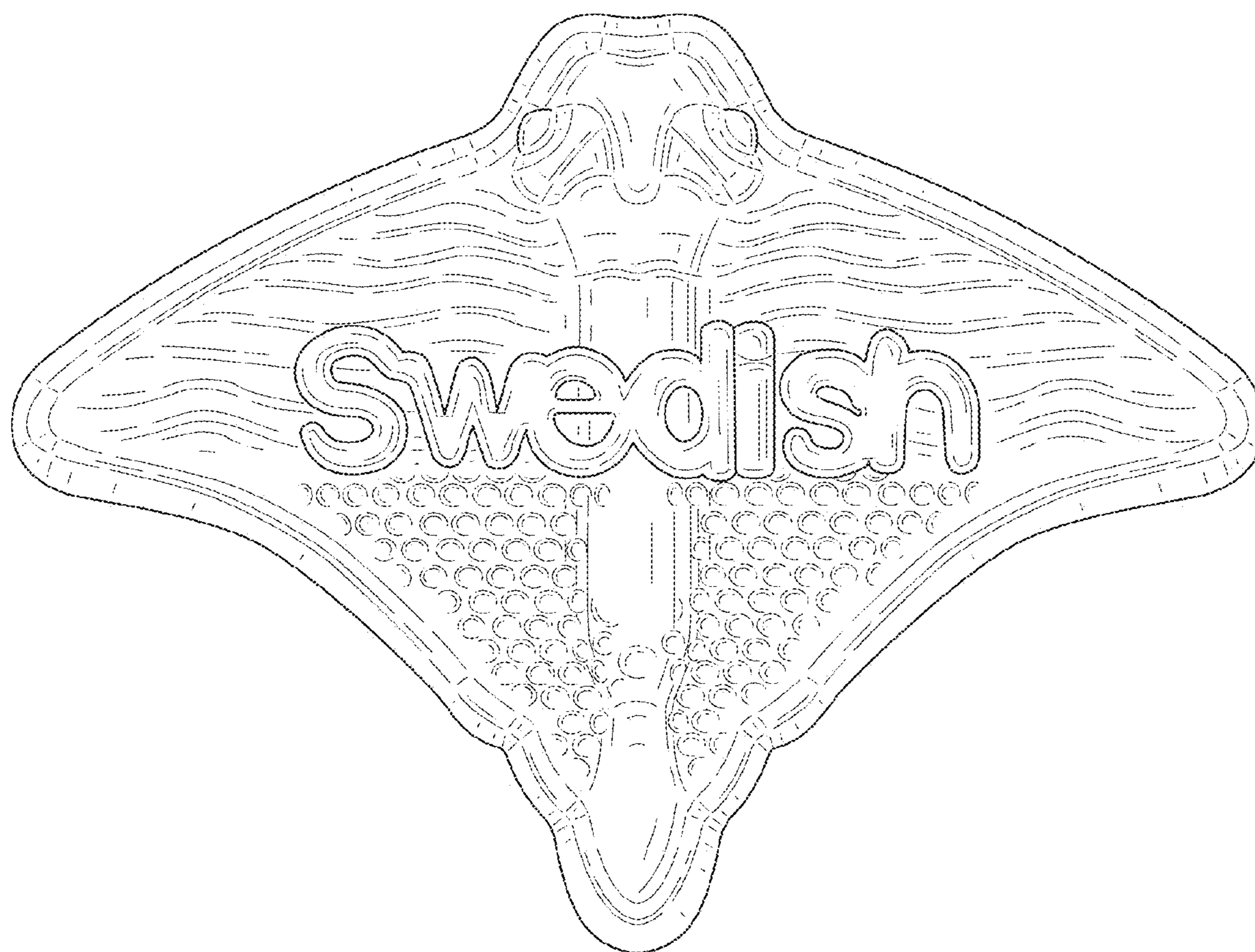


FIG. 2

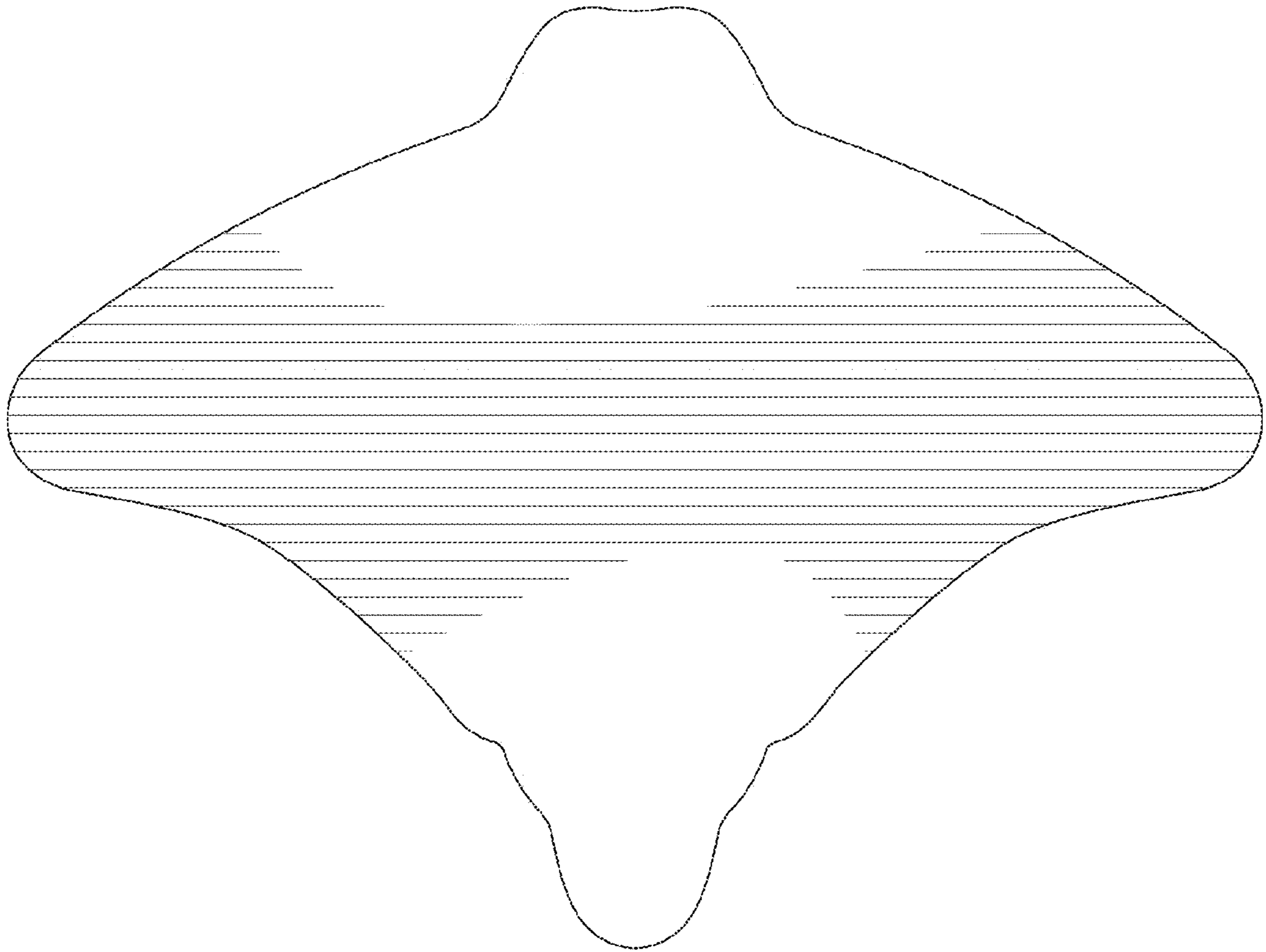


FIG. 3

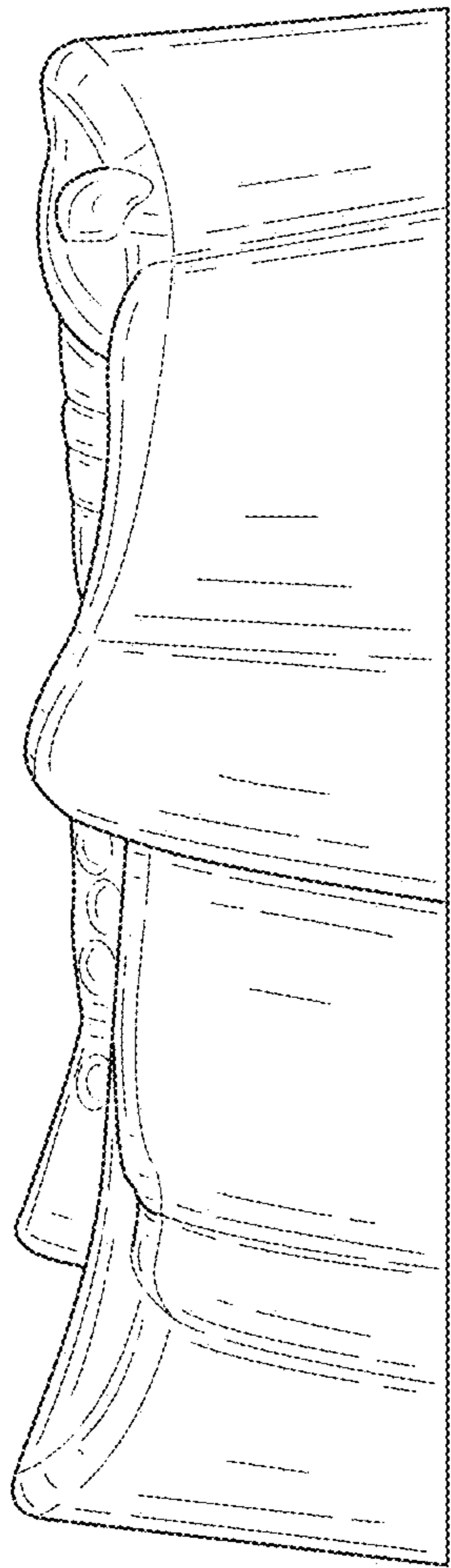


FIG. 4

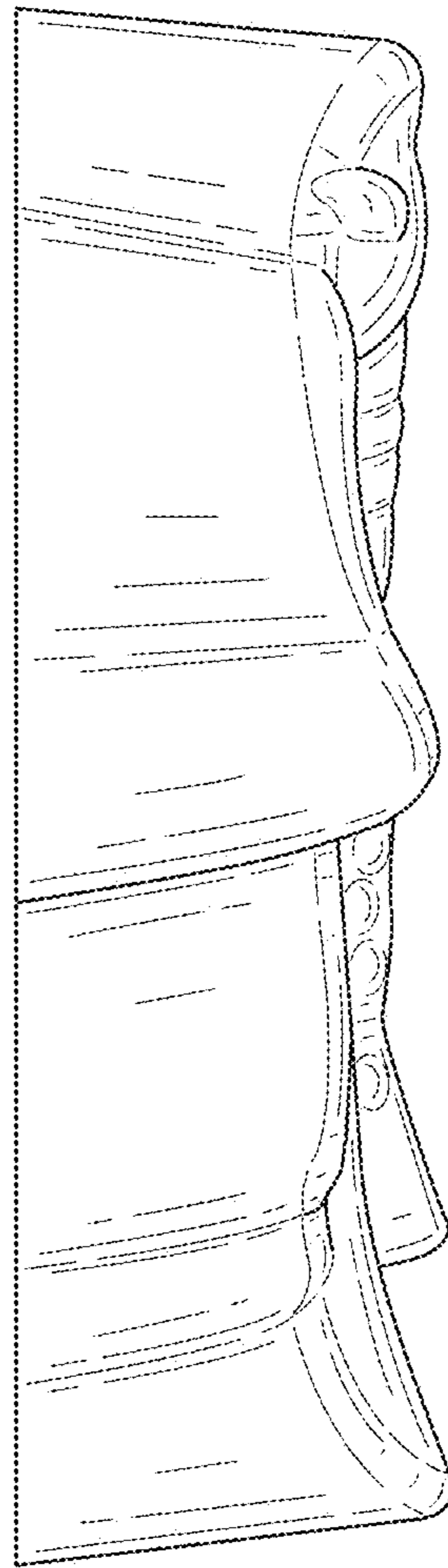


FIG. 5

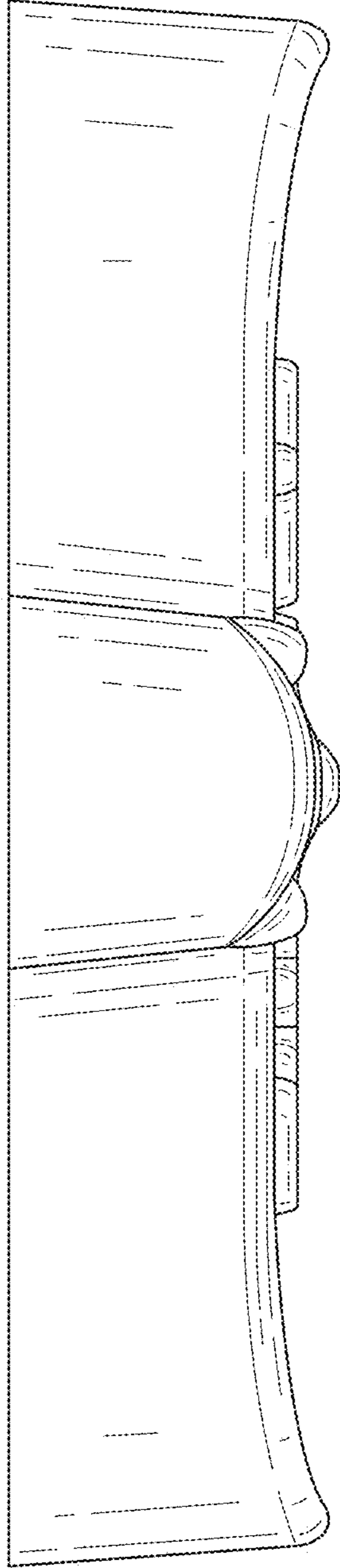


FIG. 6

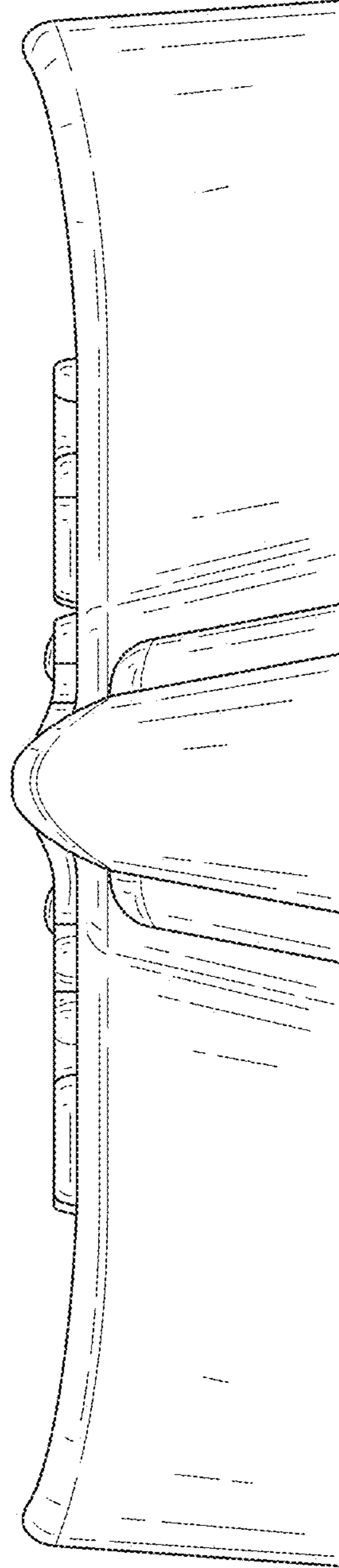
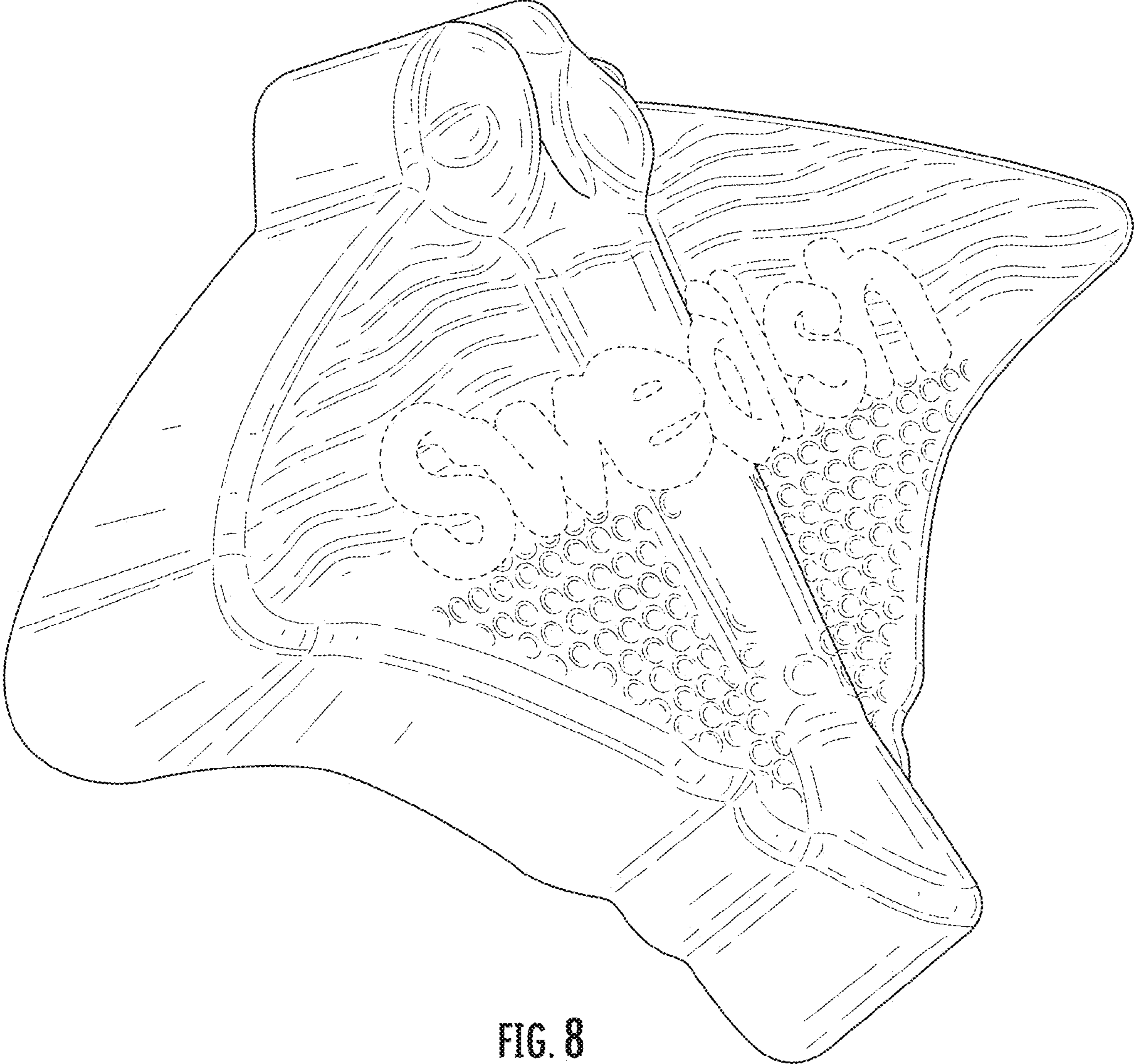


FIG. 7



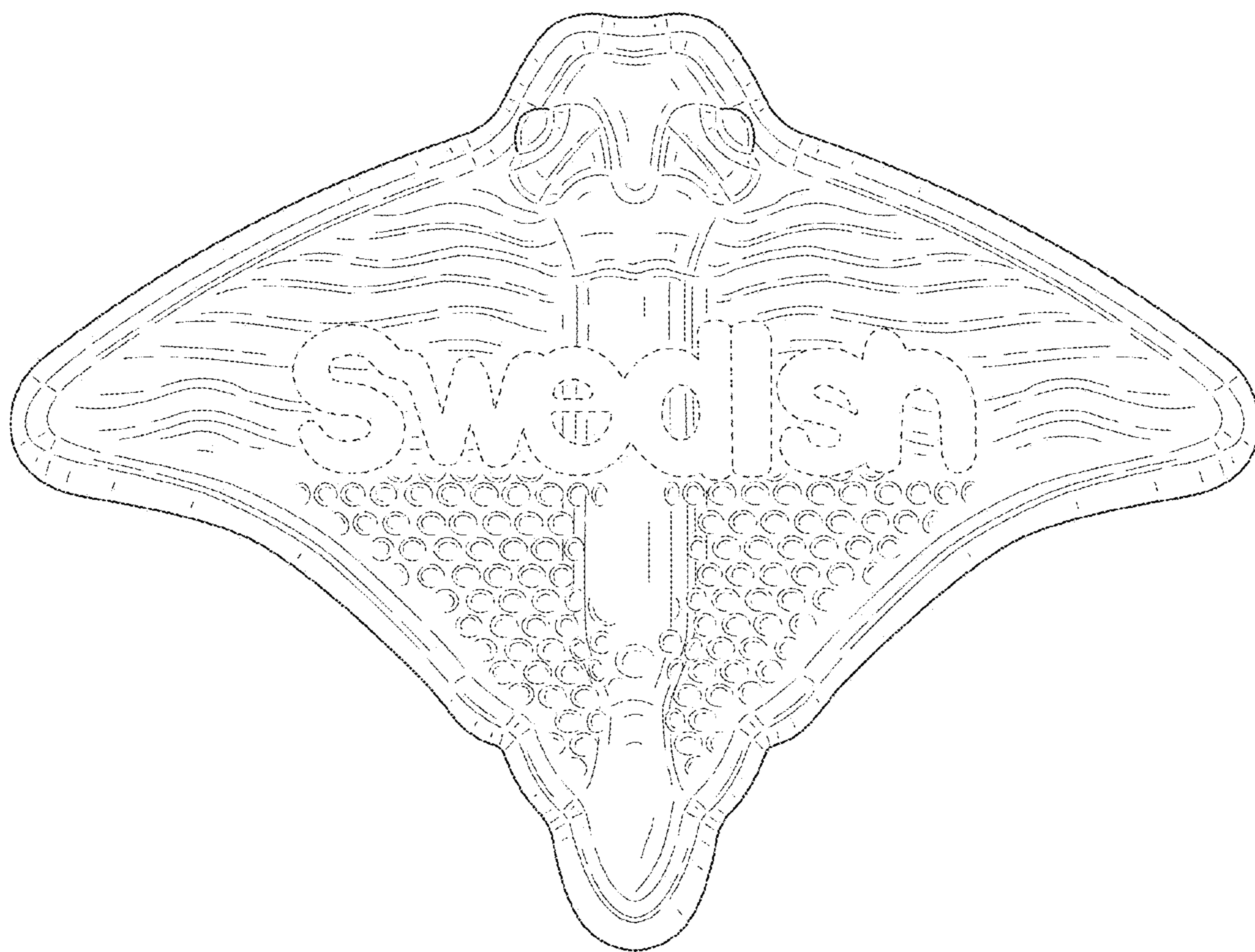


FIG. 9

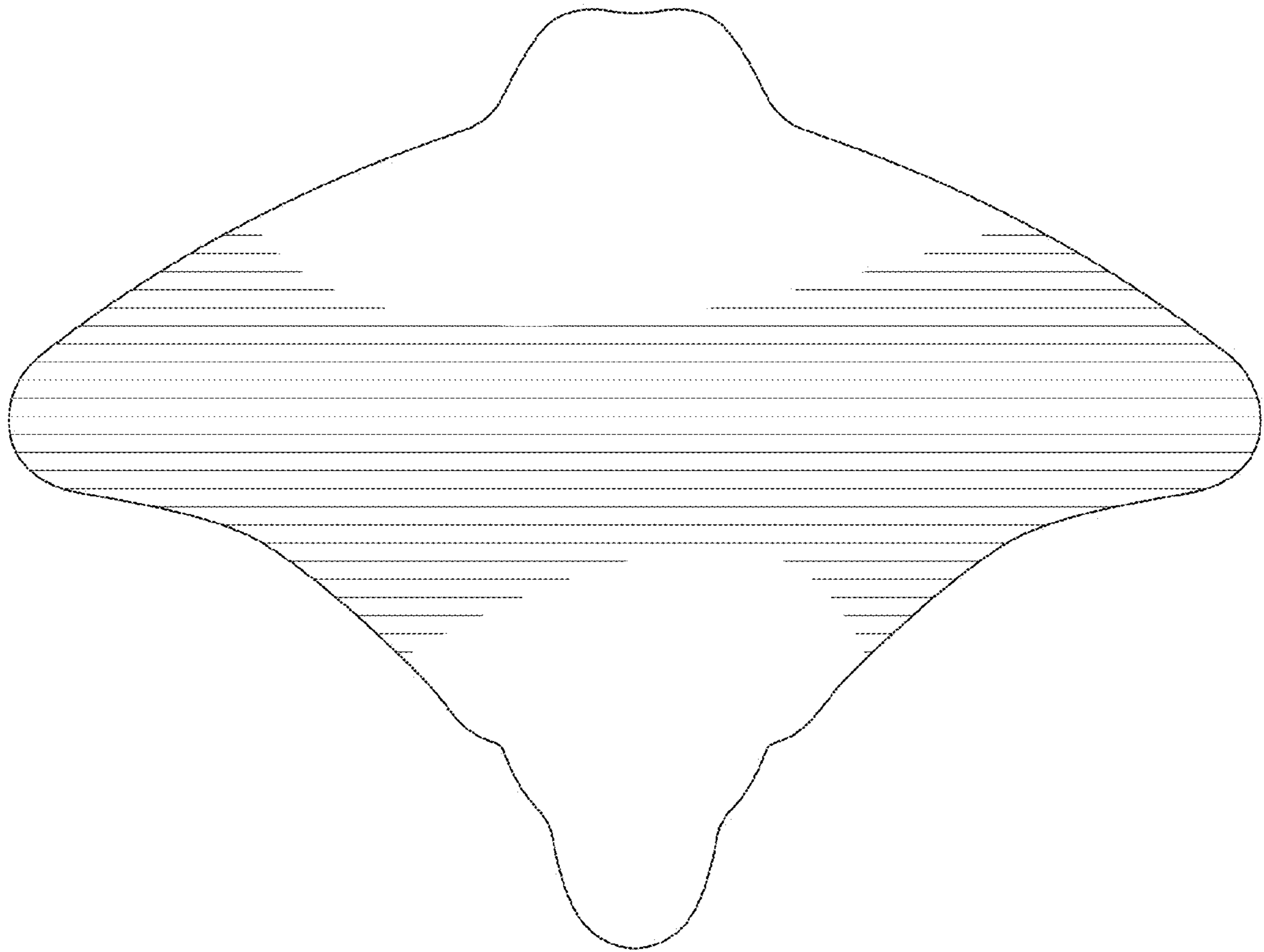


FIG. 10

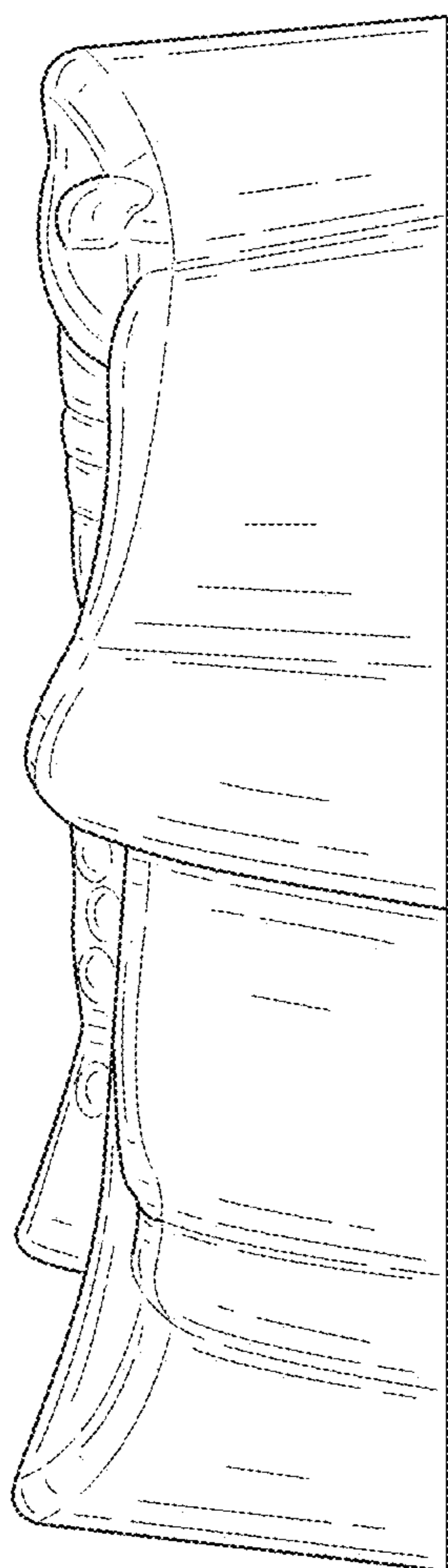


FIG. 11

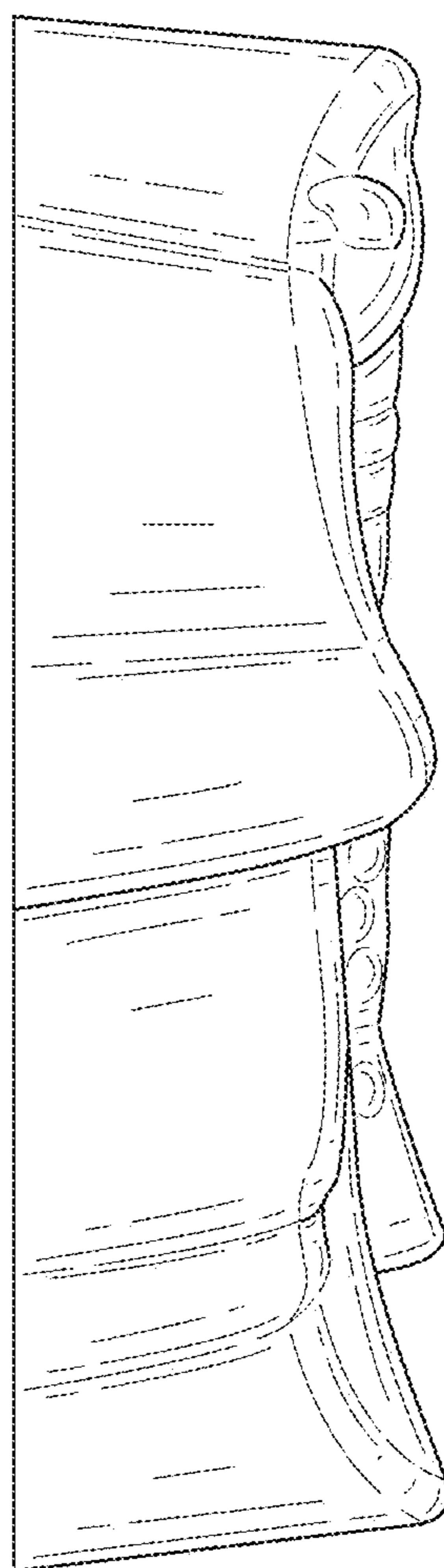


FIG. 12

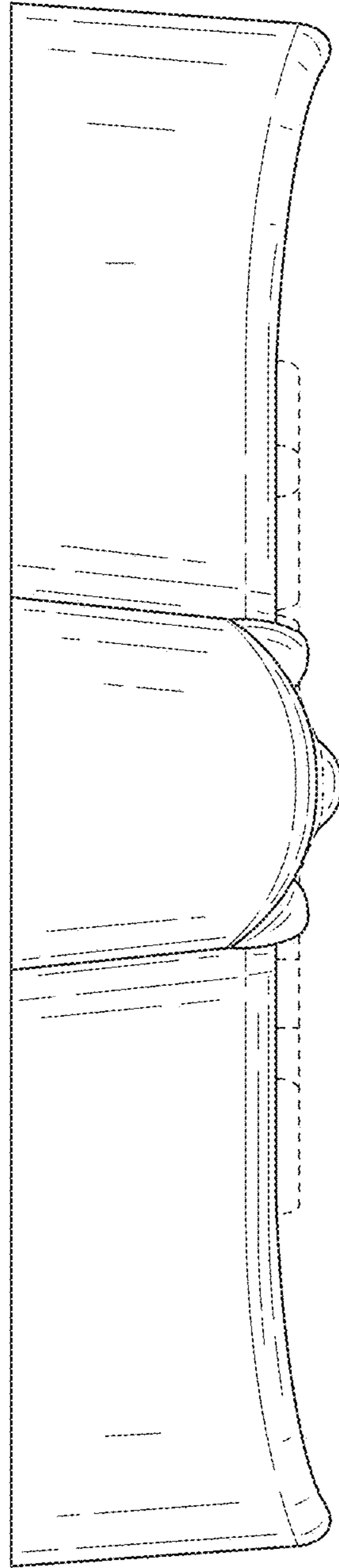


FIG. 13

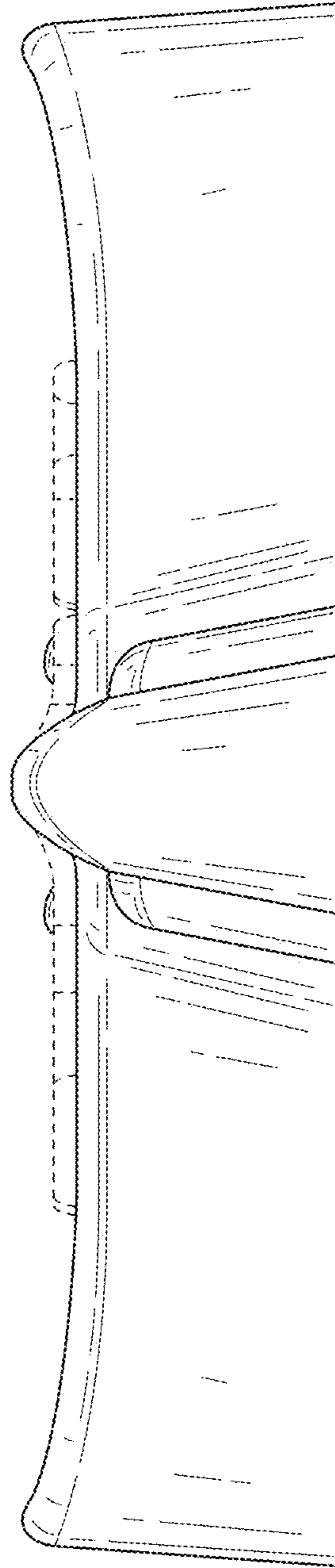


FIG. 14

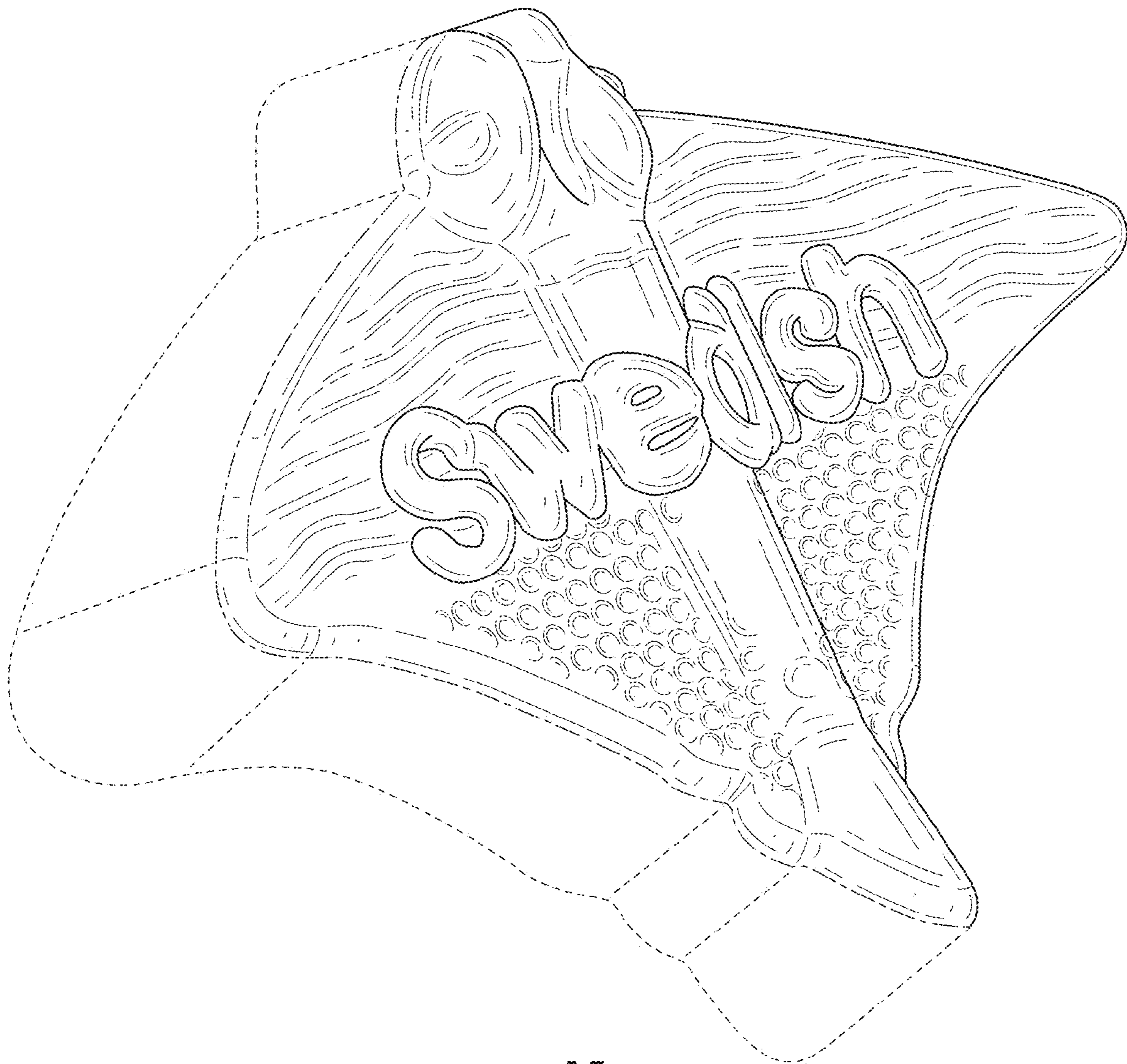


FIG. 15

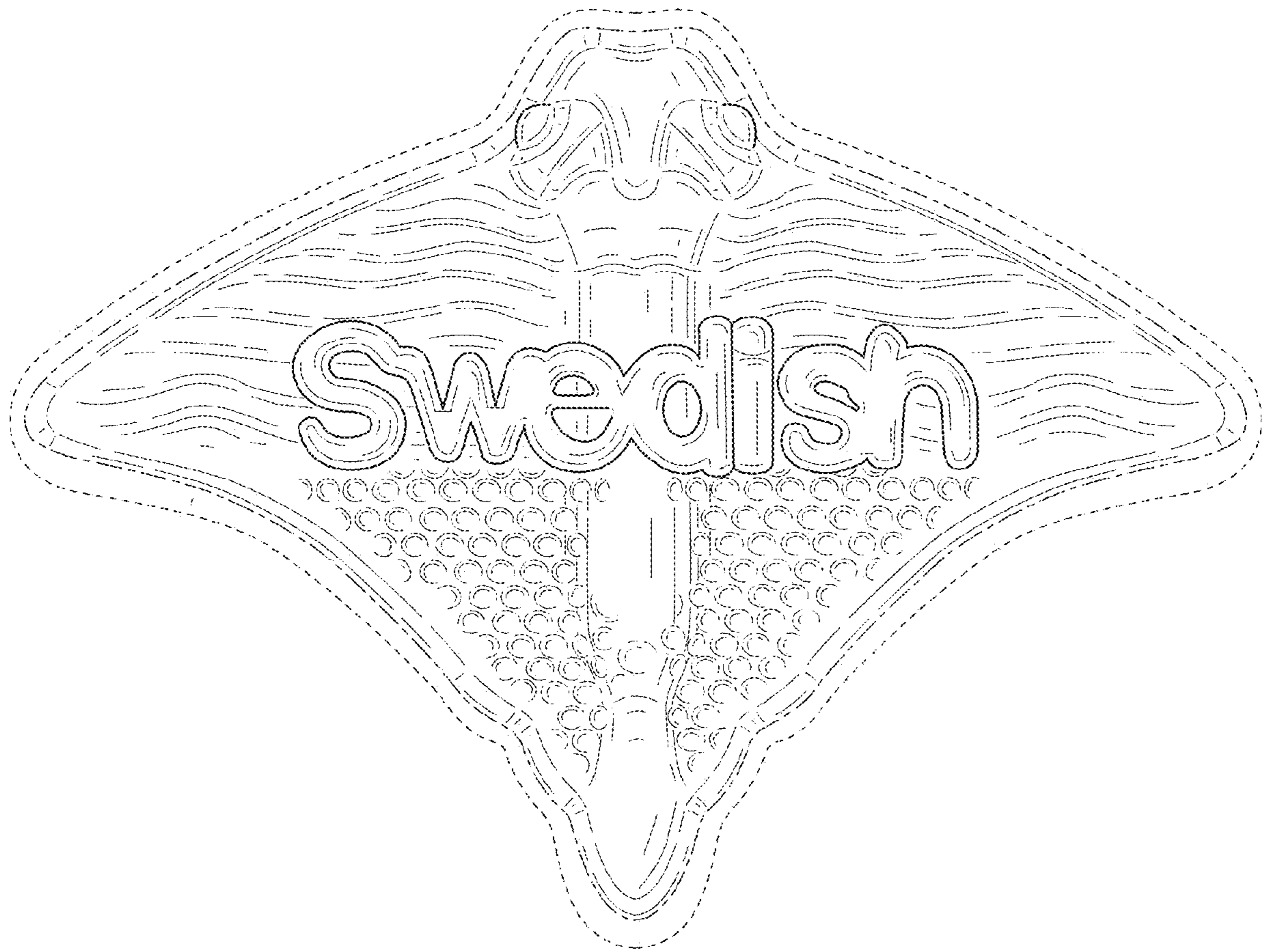


FIG. 16

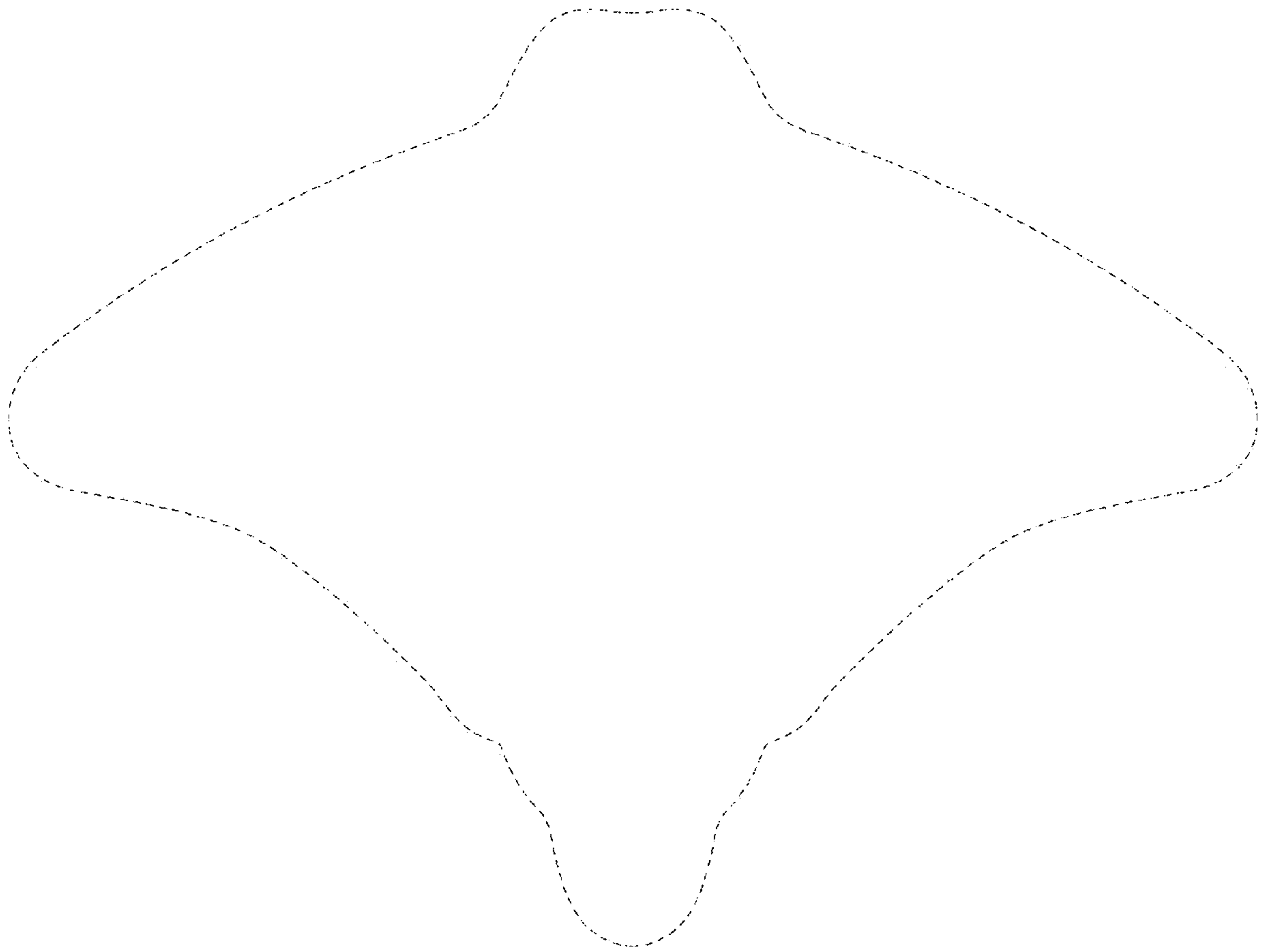


FIG. 17

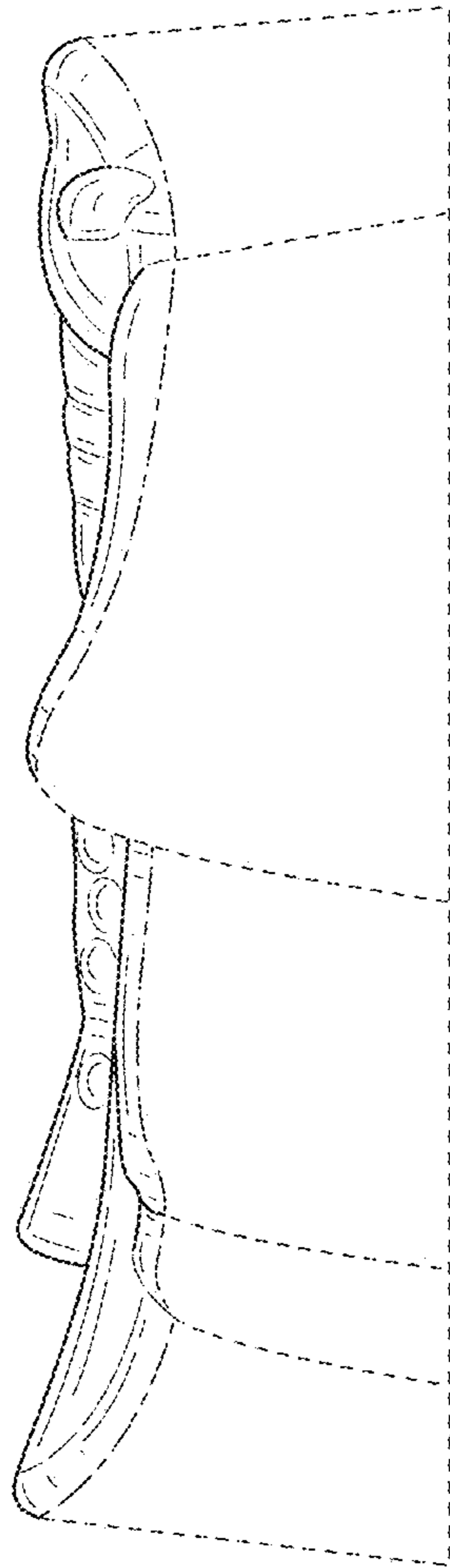


FIG. 18

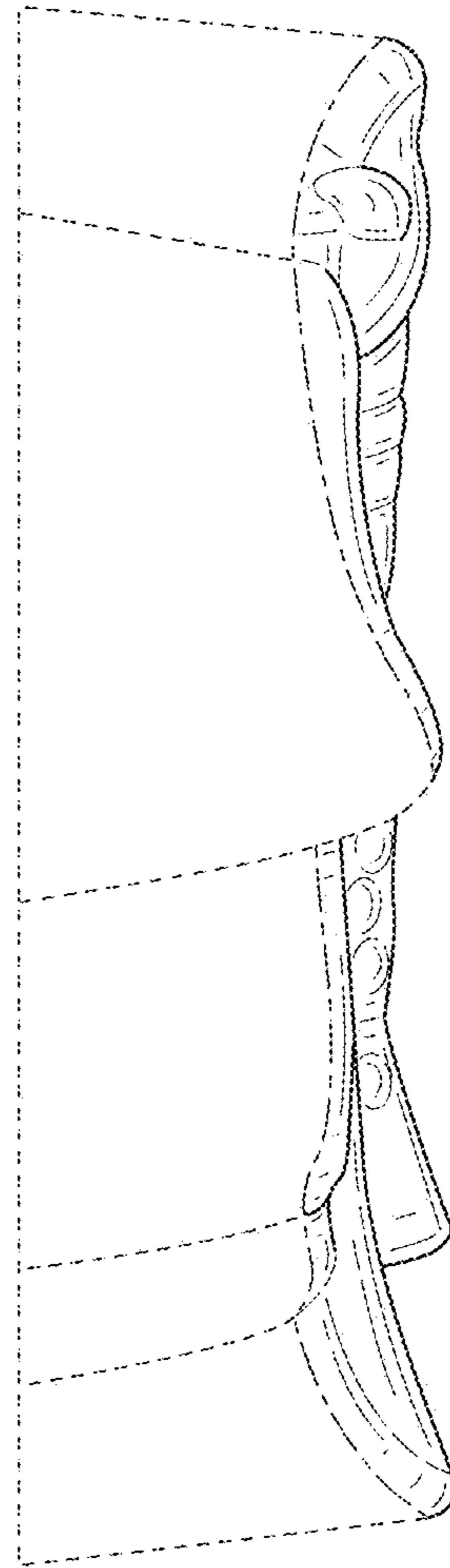


FIG. 19

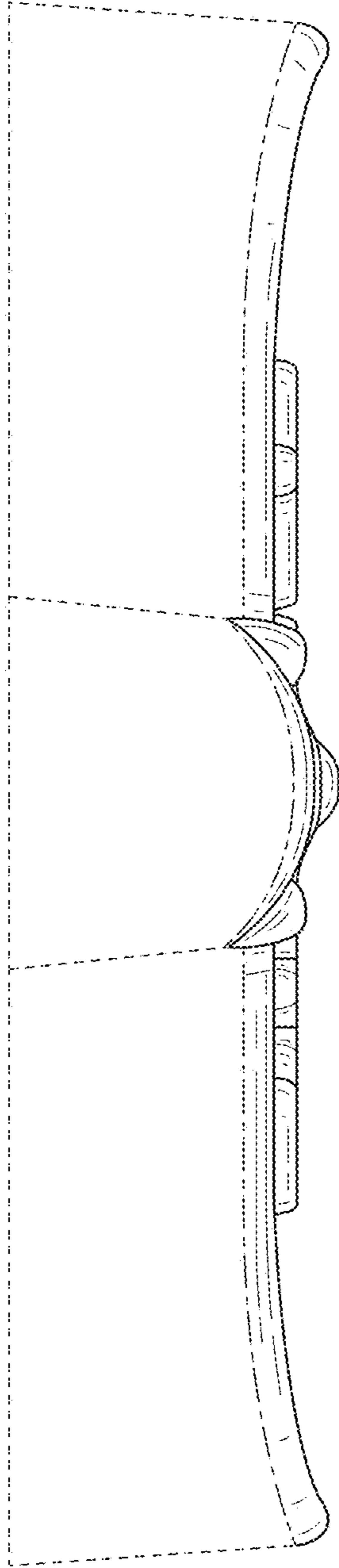


FIG. 20

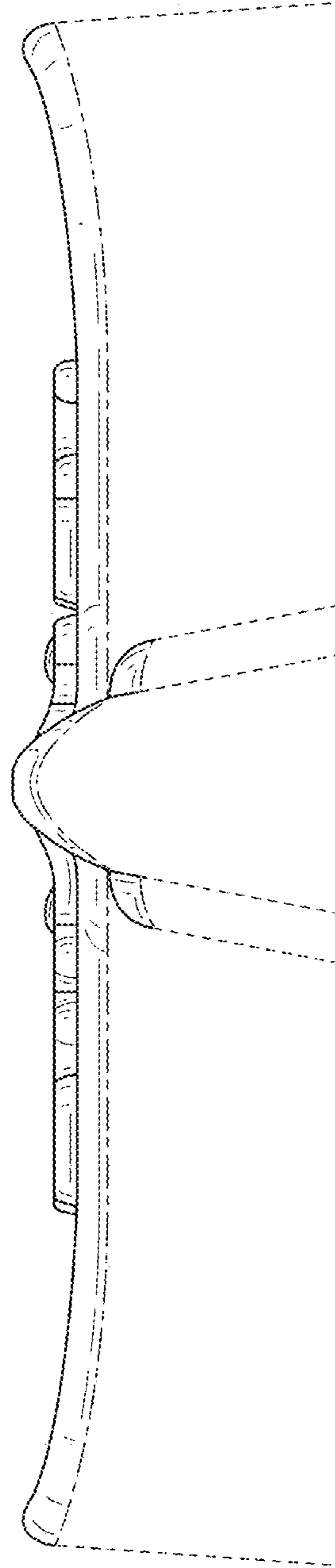


FIG. 21

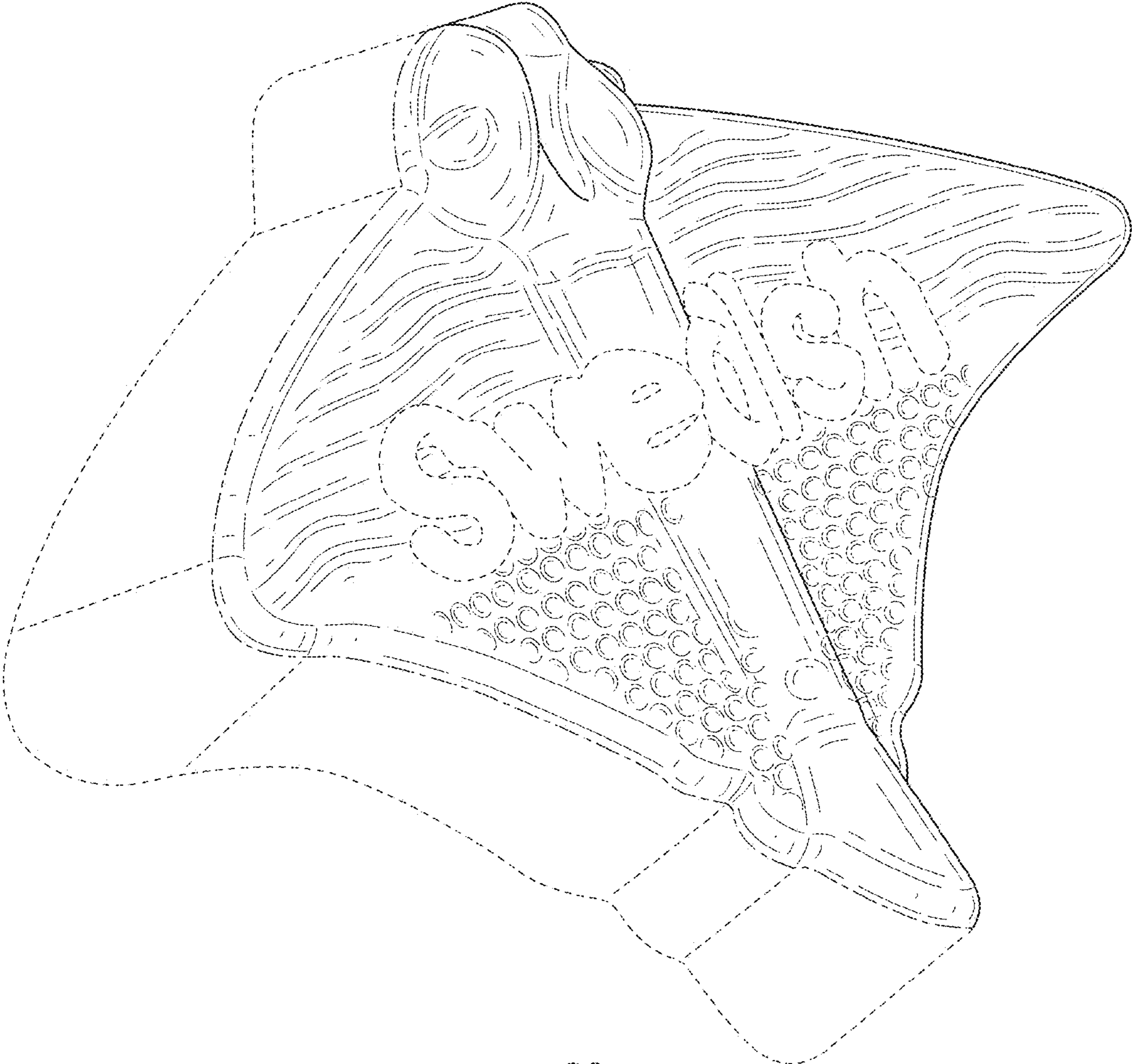


FIG. 22

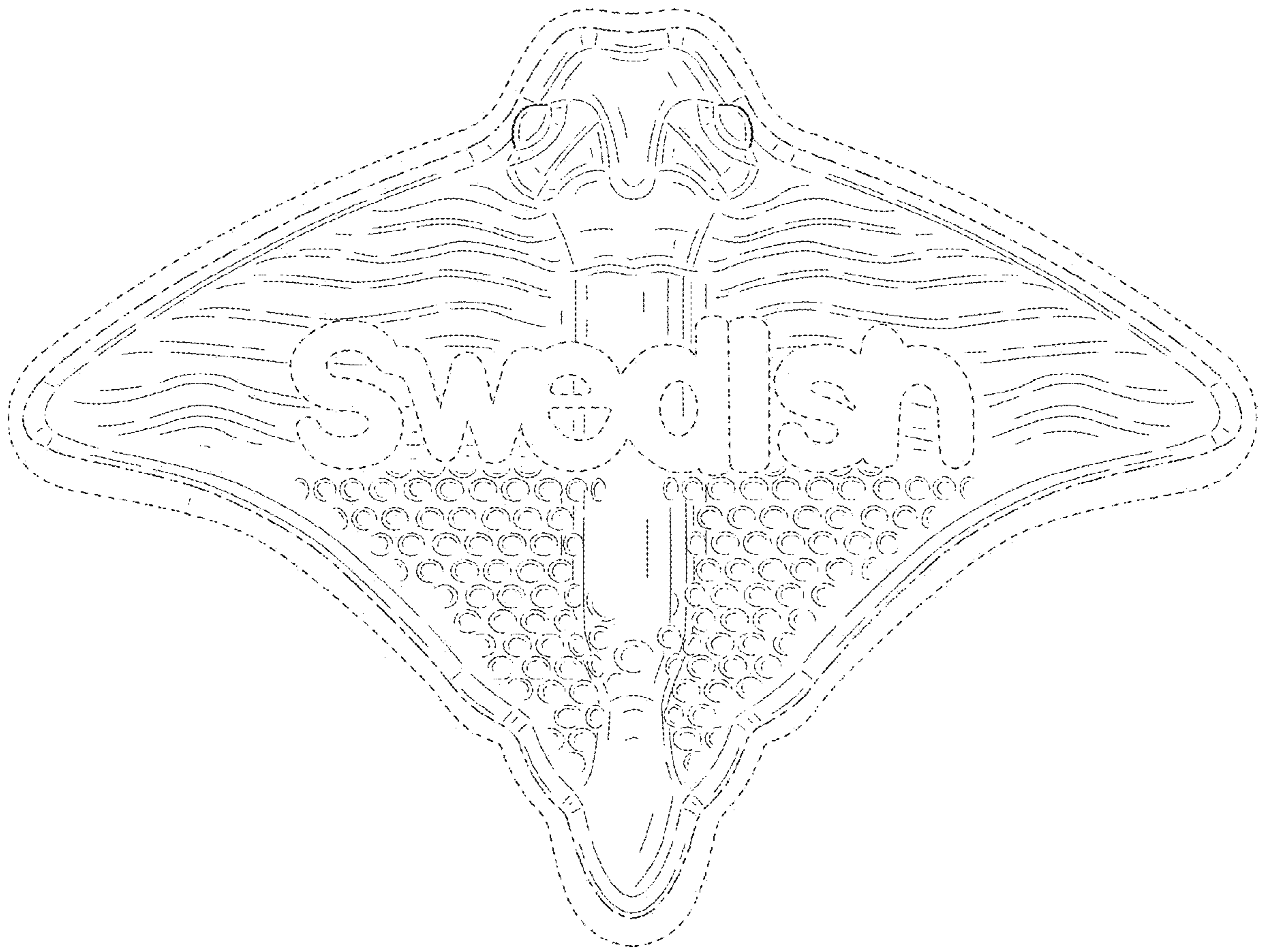


FIG. 23

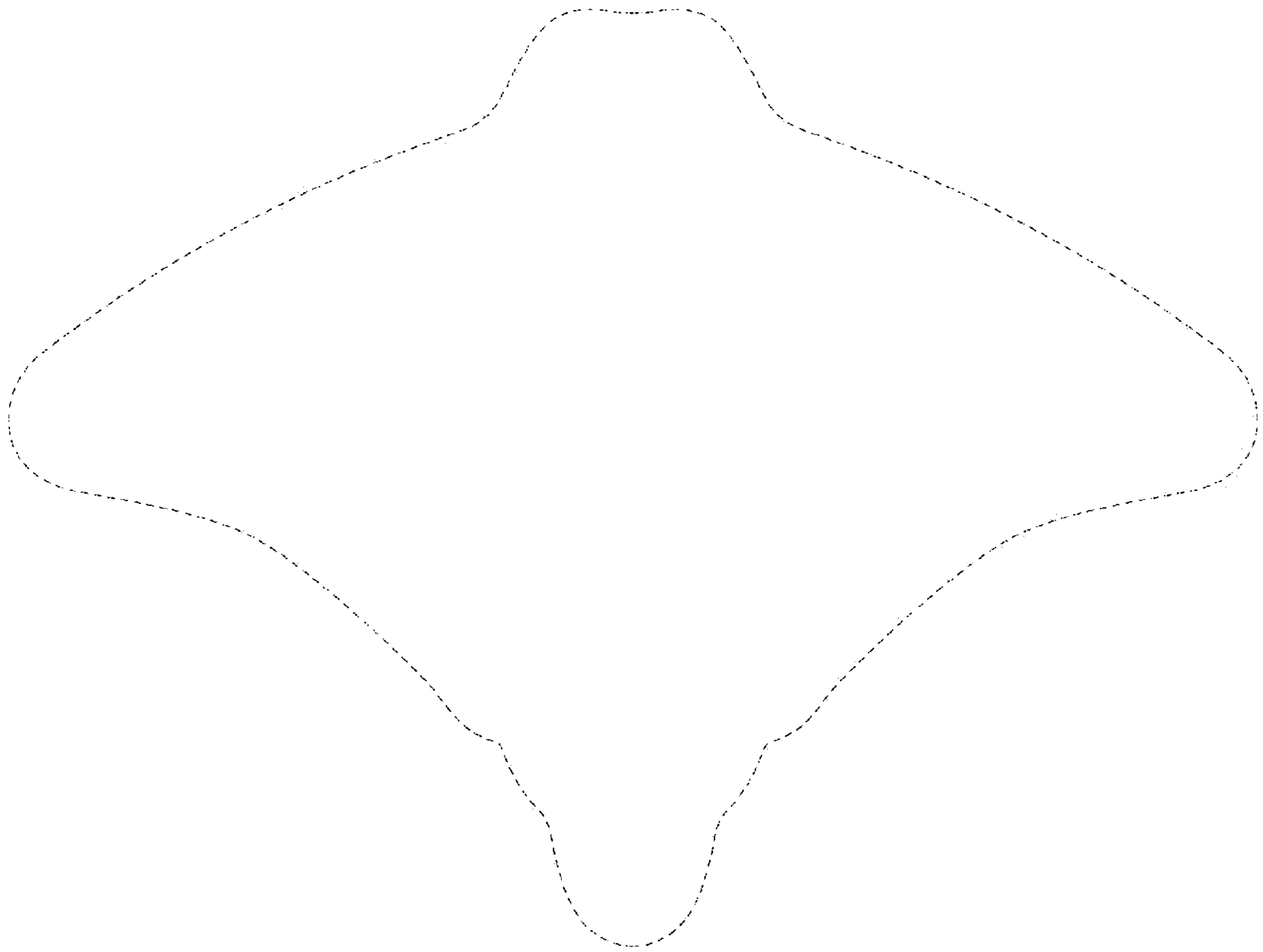


FIG. 24

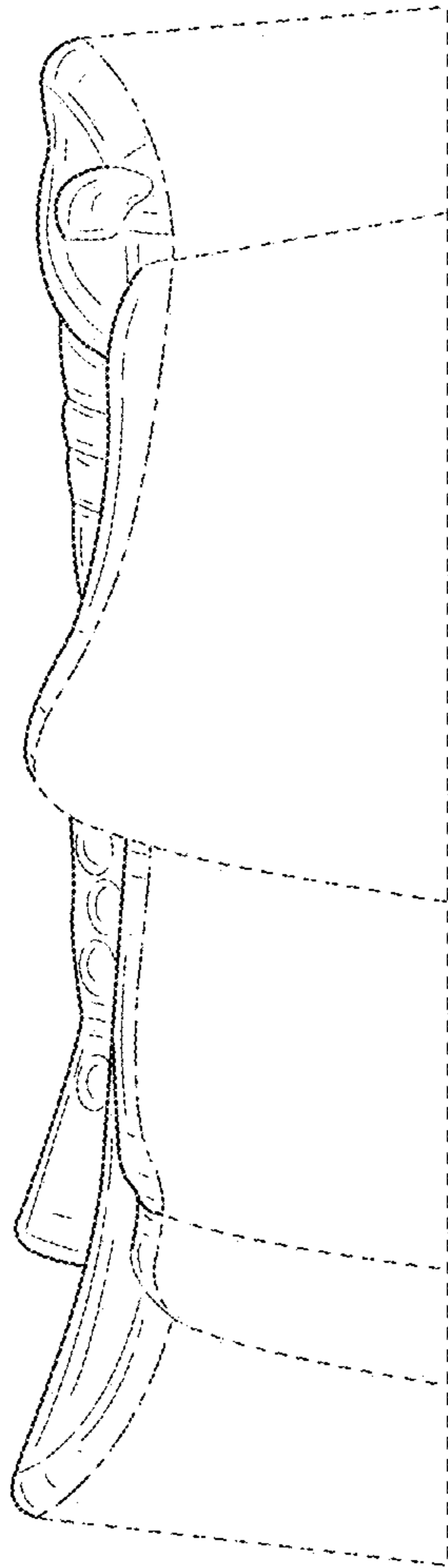


FIG. 25

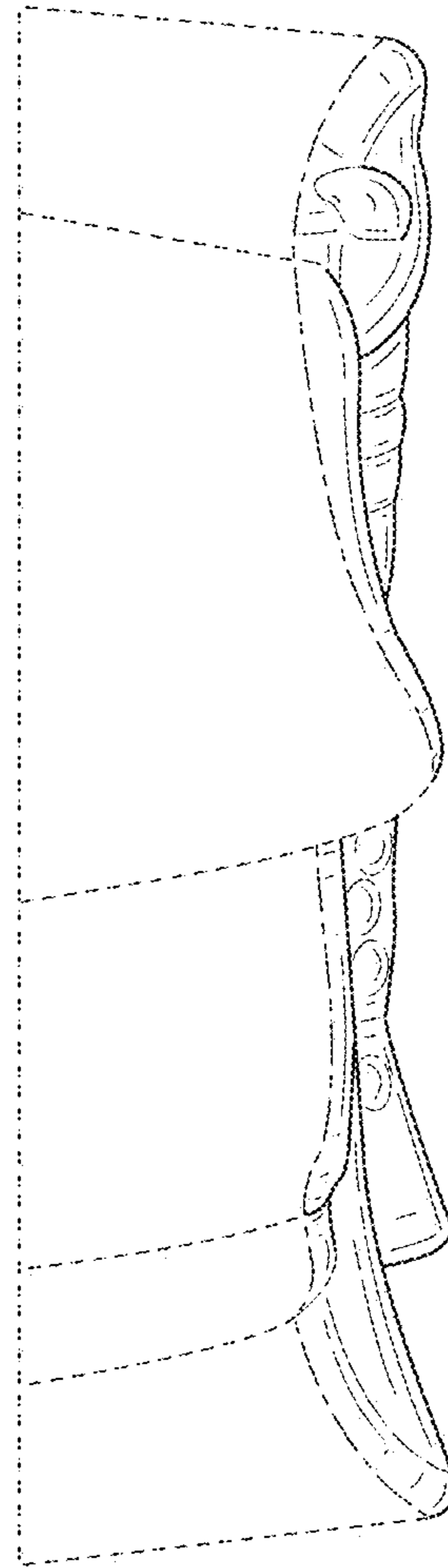


FIG. 26

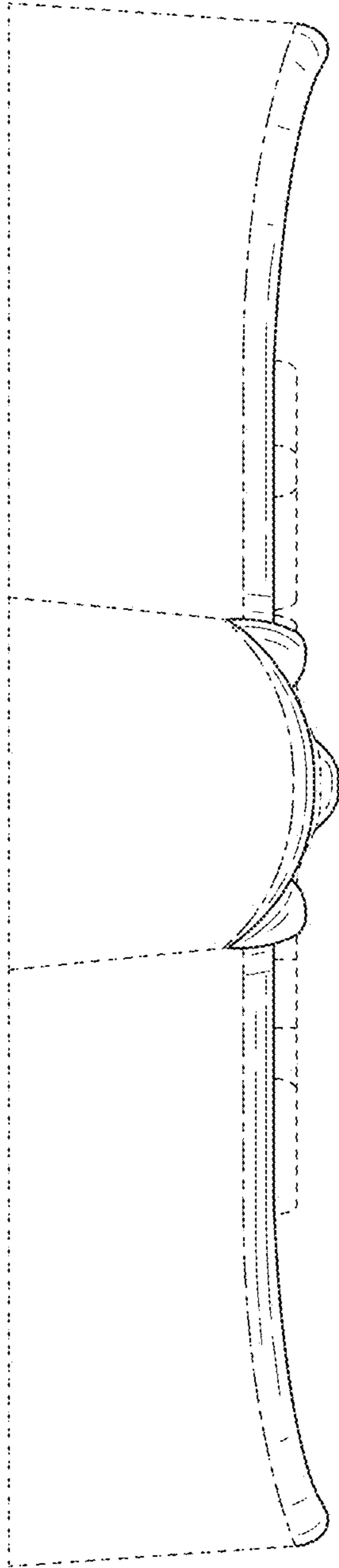


FIG. 27

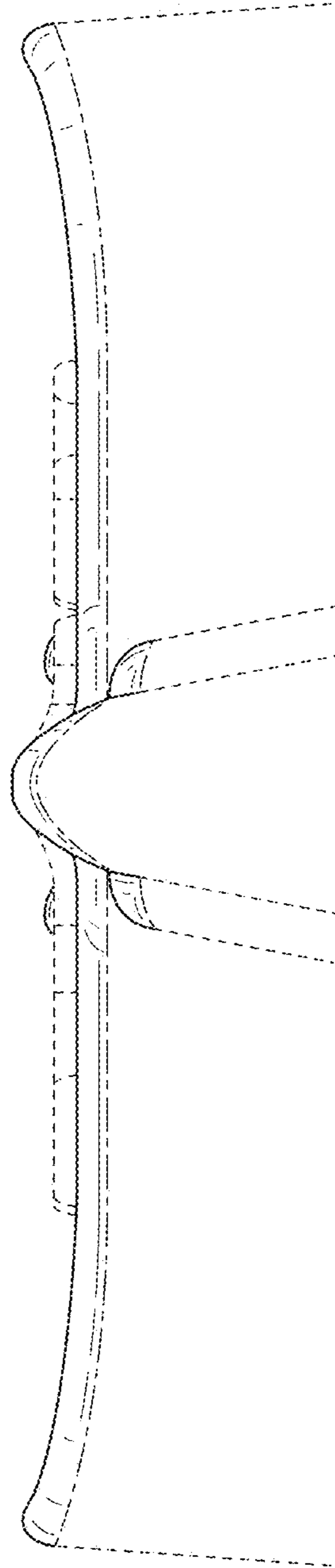


FIG. 28