



US00D986525S

(12) **United States Design Patent**
Sumina

(10) **Patent No.:** **US D986,525 S**

(45) **Date of Patent:** **** May 16, 2023**

(54) **HAND CART**
(71) Applicant: **Naoyuki Sumina**, Okayama (JP)
(72) Inventor: **Naoyuki Sumina**, Kurashiki (JP)
(73) Assignee: **Naoyuki Sumina**, Okayama (JP)

(**) Term: **15 Years**
(21) Appl. No.: **35/514,302**

(22) Filed: **Nov. 15, 2021**

(80) **Hague Agreement Data**

Int. Filing Date: **Nov. 15, 2021**
Int. Reg. No.: **DM/217703**
Int. Reg. Date: **Nov. 15, 2021**
Int. Reg. Pub. Date: **May 20, 2022**

(30) **Foreign Application Priority Data**

May 16, 2021 (JP) 2021-014505

(51) **LOC (14) Cl.** **12-02**

(52) **U.S. Cl.**
USPC **D34/16**

(58) **Field of Classification Search**
USPC D34/12, 14, 15, 16, 17, 19, 20, 21;
D21/425
CPC B62B 2206/006; B62B 1/16; B62B 1/18
See application file for complete search history.

(56) **References Cited**

U.S. PATENT DOCUMENTS

384,093 A * 6/1888 Sleicher, Jr. B62B 1/18
280/47.31
740,214 A * 9/1903 Baker B62B 1/18
280/47.33
2,448,216 A * 8/1948 Gokey B62B 1/22
188/29
D374,958 S * 10/1996 Watanabe D34/12
8,857,826 B2 * 10/2014 Frenkel B62B 5/00
280/47.32

8,997,903 B2 * 4/2015 Vandelinde B62B 1/18
180/19.1
9,120,499 B2 * 9/2015 Michel, Jr. B62B 5/0036
D811,680 S * 2/2018 Dumas D34/16
(Continued)

FOREIGN PATENT DOCUMENTS

EM 004544641-0001 * 12/2017
FR 2694914 A1 * 2/1994 B62B 1/183
GB 6211910 * 9/2022

OTHER PUBLICATIONS

Makita cart, announced Mar. 2019 [online], [site visited Jan. 27, 2023]. Avail from int, URL: <https://www.amazon.com/Makita-XUC01X1-Lithium-Ion-Power-Assisted-Wheelbarrow/dp/B075KKM951> (Year: 2019).*

(Continued)

Primary Examiner — Cynthia Ramirez
Assistant Examiner — Tamara L Hahn
(74) *Attorney, Agent, or Firm* — Perilla Knox & Hildebrandt LLP; Kenneth A. Knox

(57) **CLAIM**

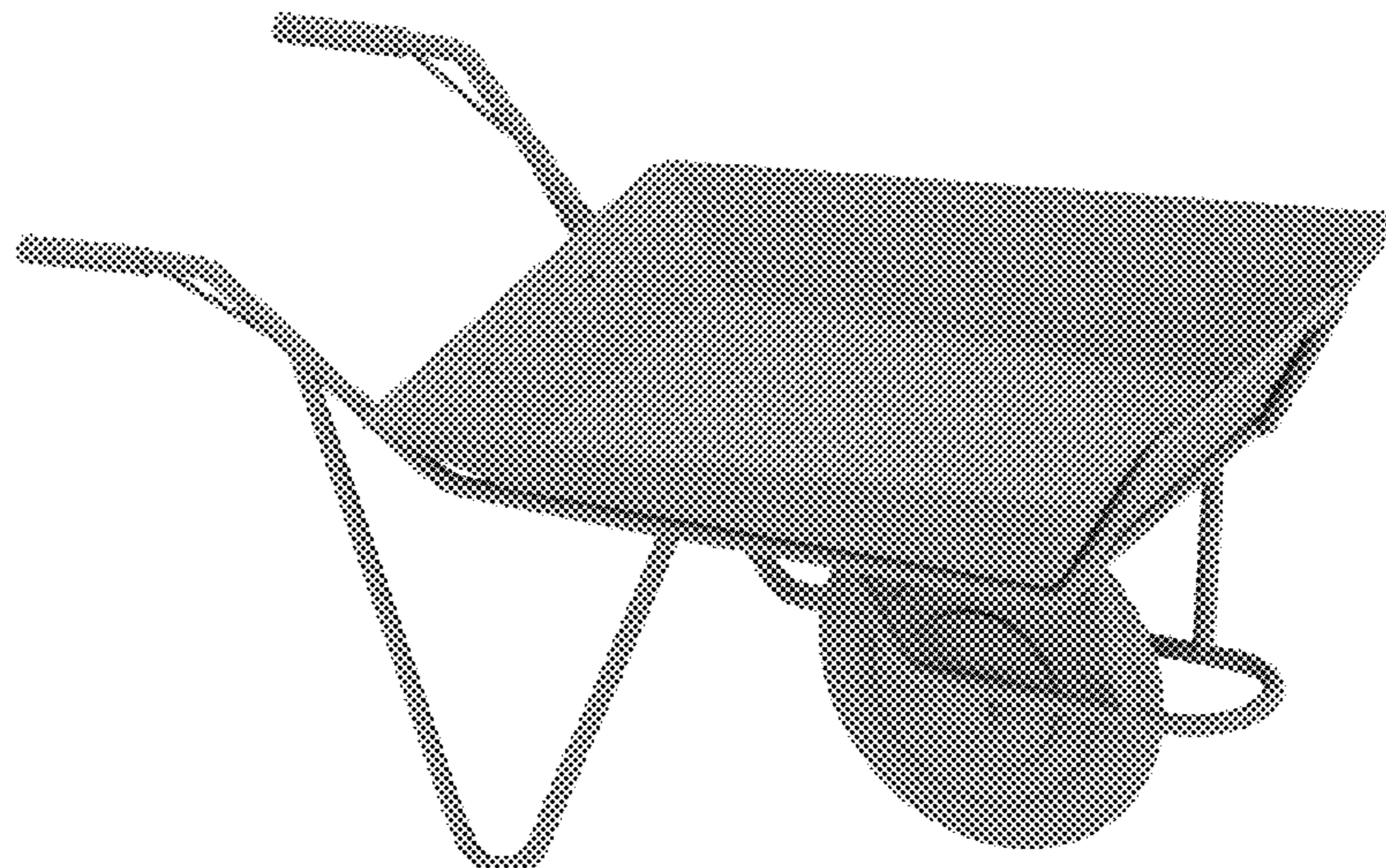
The ornamental design for a hand cart, as shown and described.

DESCRIPTION

- 1. Hand cart
- 1.1 : Perspective
- 1.2 : Front
- 1.3 : Left
- 1.4 : Right
- 1.5 : Top
- 1.6 : Bottom

The article of the design is a hand cart; The shading and tone in the reproductions are to represent relief or contours of surfaces of the three-dimensional product; The back view is omitted because it is a mirror image of the front view.

1 Claim, 6 Drawing Sheets



(56)

References Cited

U.S. PATENT DOCUMENTS

D970,141 S * 11/2022 Sumina B62B 1/18
D34/16
2007/0257456 A1 * 11/2007 Feick B62B 1/208
280/47.31

OTHER PUBLICATIONS

Tractor Supply cart, announced 2022 [online], [site visited Jan. 27, 2023]. Avail from int, URL: <https://www.tractorsupply.com/tsc/product/barn-star-6-cu-ft-poly-wheelbarrow-with-round-handle-wb10011> (Year: 2022).*

Cat cart, announced 2018 [online], [site visited Jan. 27, 2023]. Avail from int, URL: https://www.northerntool.com/shop/tools/product_200683484_200683484 (Year: 2018).*

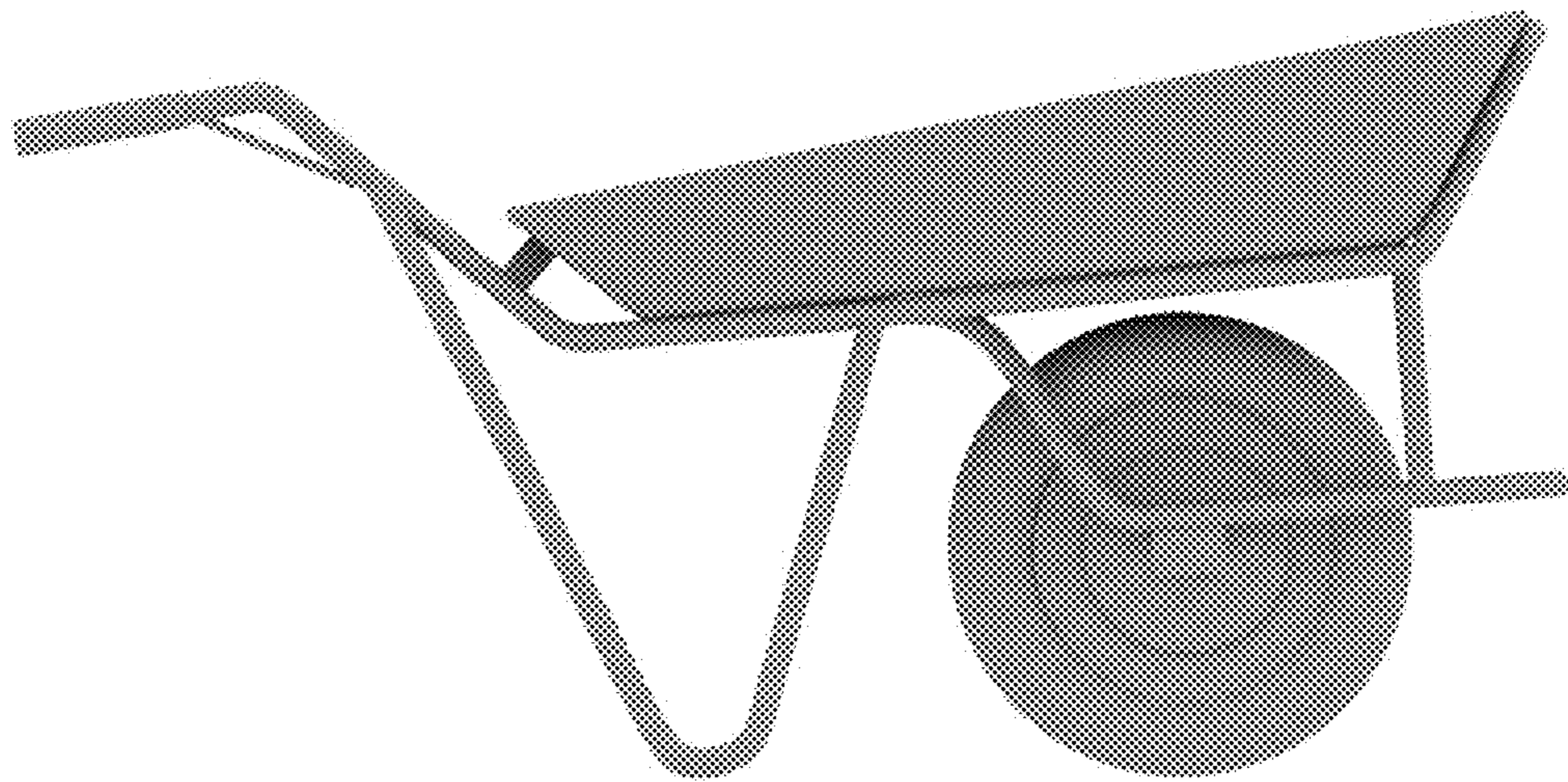
Truper Kids Cart, announced 2023 [online], [site visited Jan. 27, 2023]. Avail from int, URL: <https://www.walmart.com/ip/Truper-Kids-1-Cuft-Wheelbarrow-With-Tubular-Handles-W-grip-10440/384497894> (Year: 2023).*

* cited by examiner

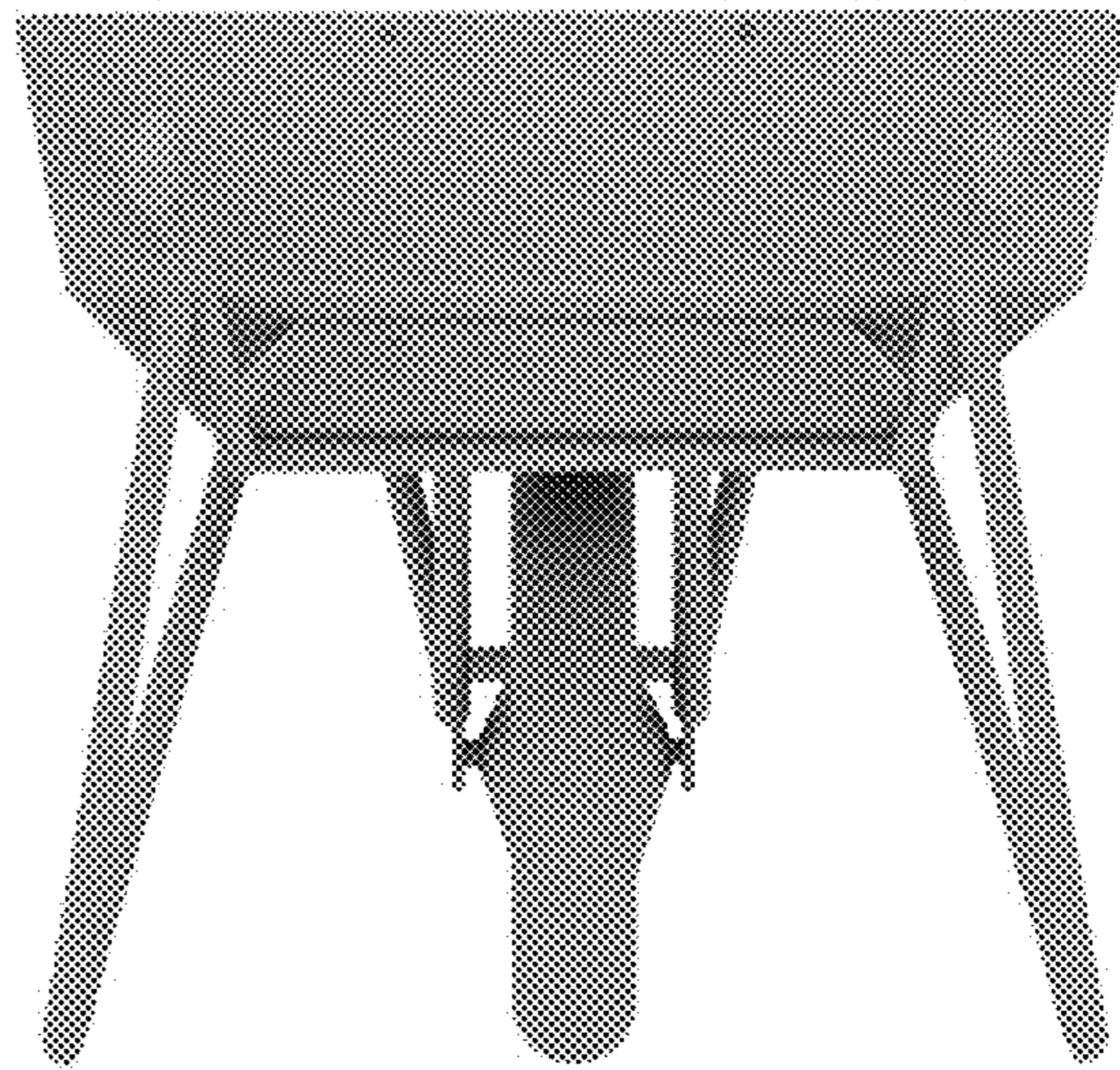
1.1



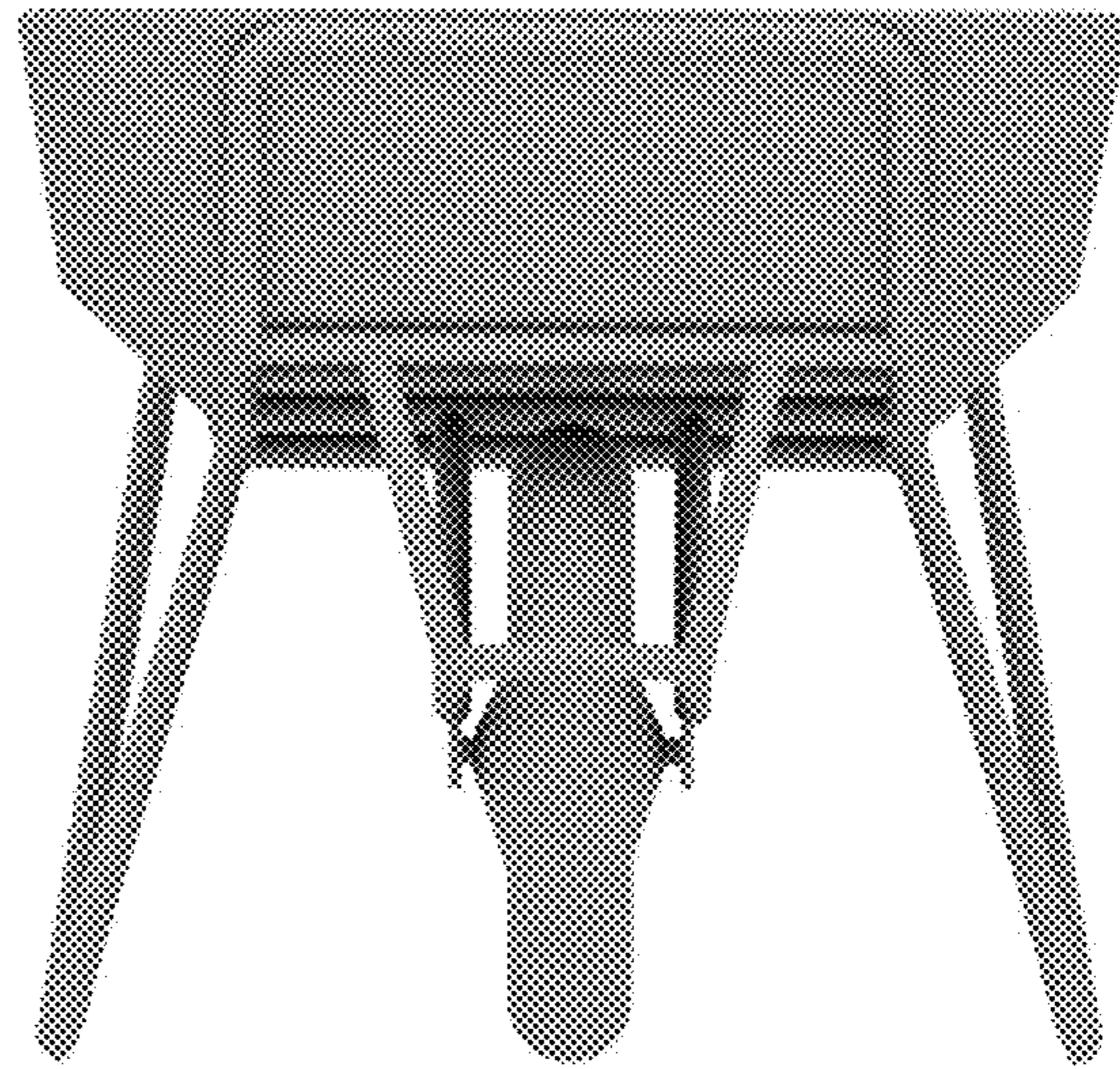
1.2



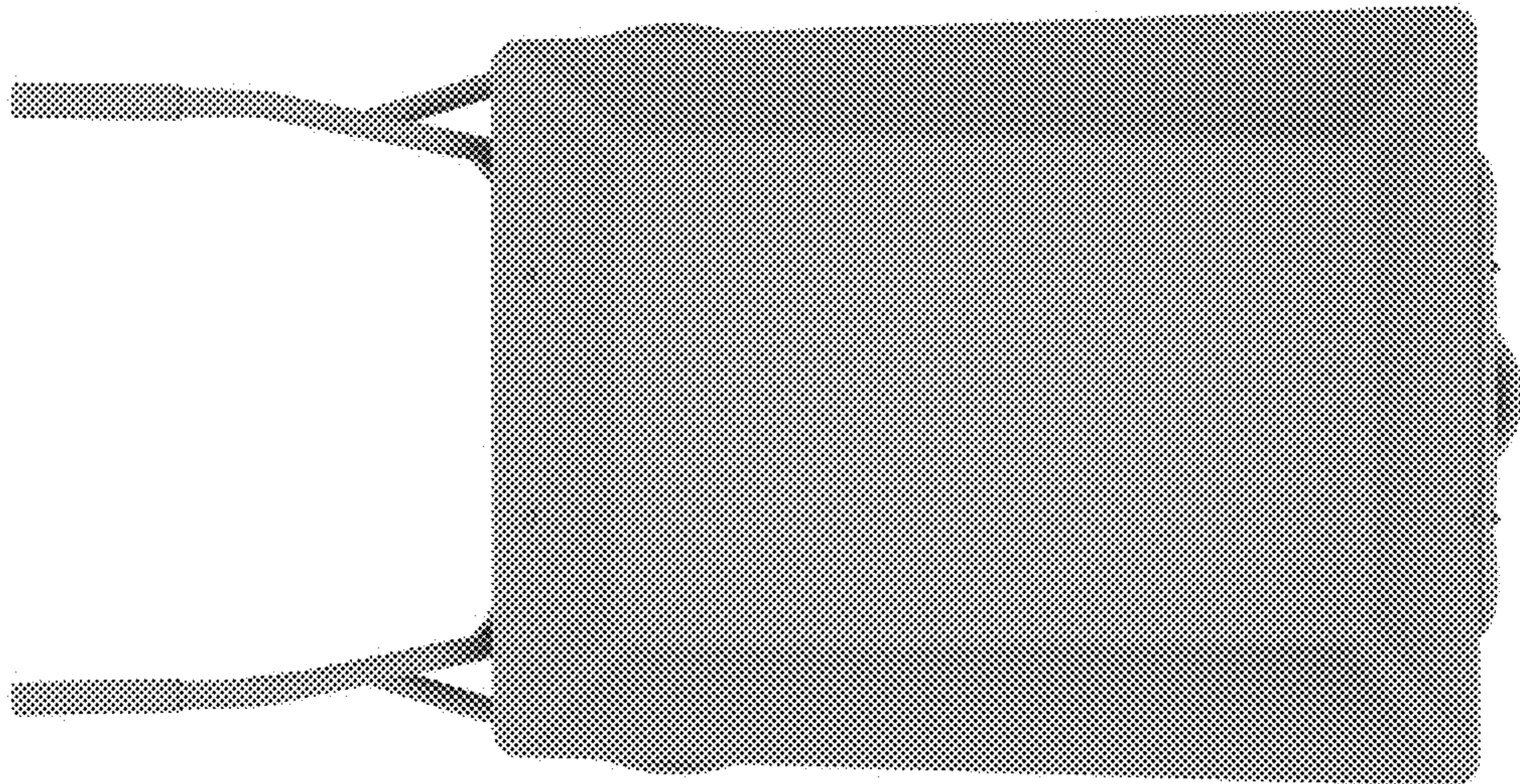
1.3



1.4



1.5



1.6

