



US00D986524S

(12) **United States Design Patent**
Mordechay et al.

(10) **Patent No.:** **US D986,524 S**
(45) **Date of Patent:** **** May 16, 2023**

(54) **WASTE CARTRIDGE**
(71) Applicant: **Stratasys Ltd.**, Rehovot (IL)
(72) Inventors: **Dan Mordechay**, Mazkeret Batya (IL);
Shmuel Rubin, Moshav Tkuma (IL)

D407,826 S * 4/1999 Yamazaki D24/224
D530,662 S * 10/2006 Kokkonen D13/101
D569,476 S * 5/2008 Munlin D23/211.1
D587,955 S * 3/2009 Stamper D7/306
D589,809 S * 4/2009 Gundrum D23/211.1
D609,102 S * 2/2010 Matlin D9/530
D770,637 S * 11/2016 Pansare D24/224

(73) Assignee: **Stratasys Ltd.**, Rehovot (IL)

(**) Term: **15 Years**

(21) Appl. No.: **29/797,066**

(22) Filed: **Jun. 29, 2021**

(51) **LOC (14) Cl.** **09-01**

(52) **U.S. Cl.**
USPC **D9/530**

(58) **Field of Classification Search**
USPC D34/1, 5, 6, 7, 10, 11; D9/517, 526,
D9/527, 528, 440, 443, 447, 523, 530;
D3/202; D24/121, 224; D23/202, 211.1;
D7/306; D18/56

CPC B65F 1/1607; B65F 1/1615; B65F
2001/1676; B67D 7/005; B67D 7/04;
B65D 85/72; B65D 1/18
See application file for complete search history.

(56) **References Cited**

U.S. PATENT DOCUMENTS

D279,417 S * 6/1985 Spencer D9/527
D296,668 S * 7/1988 Stavish D9/530
D376,208 S * 12/1996 Rasmussen D9/523
D382,061 S * 8/1997 Mathis D9/523

OTHER PUBLICATIONS

AquaBrick announced Mar. 2020 [online], [site visited Dec. 29, 2022]. Avail from int, URL: <https://www.amazon.com/AquaBrick-Containers-Ventless-Stackable-Dispenser/dp/B08633MV6Z> (Year: 2020).*

* cited by examiner

Primary Examiner — Cynthia Ramirez
Assistant Examiner — Tamara L Hahn

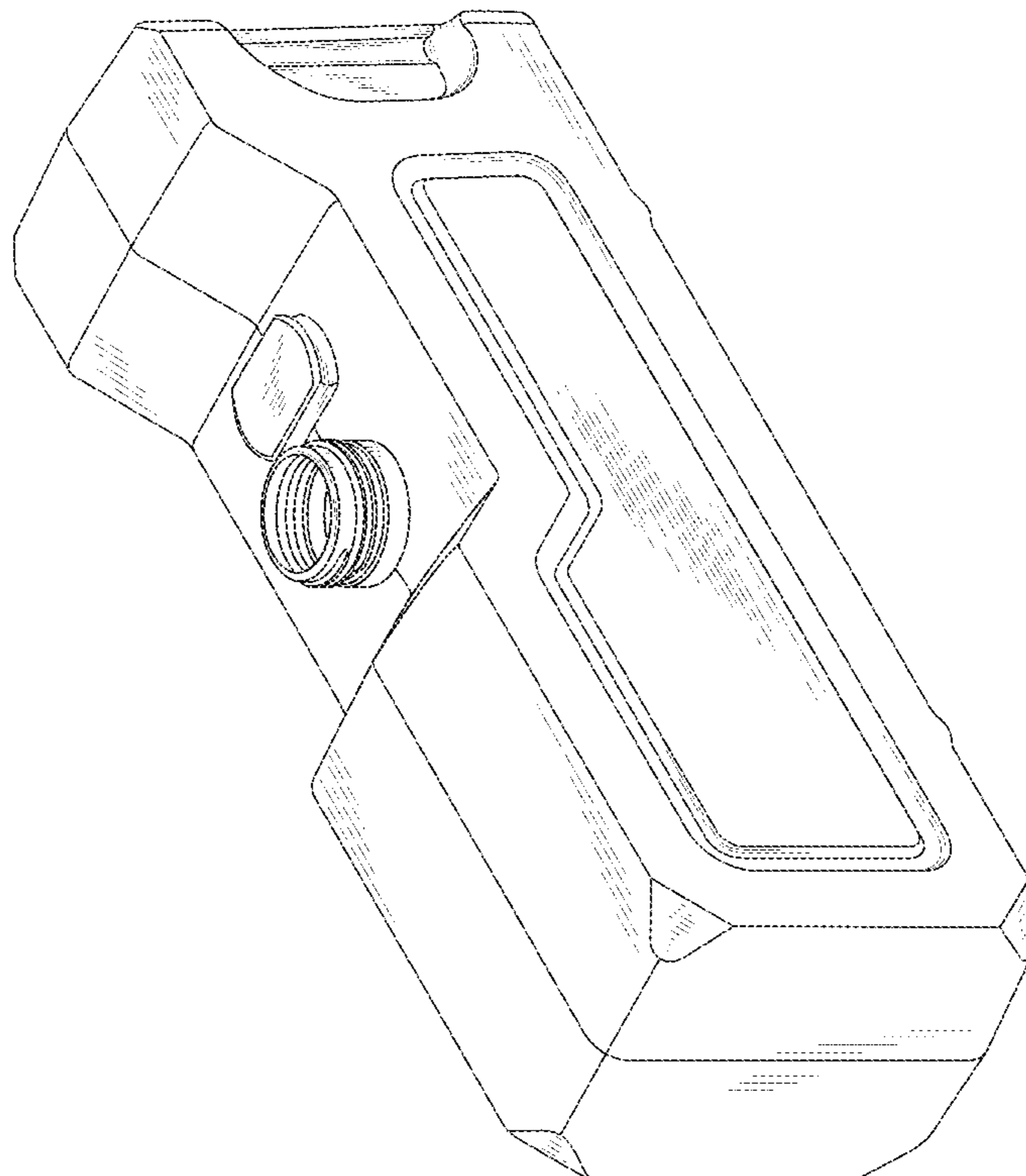
(57) **CLAIM**

The ornamental design for a waste cartridge, as shown and described.

DESCRIPTION

FIG. 1 is a perspective view of a waste cartridge, showing our new design;
FIG. 2 is a top view thereof;
FIG. 3 is a left side view thereof;
FIG. 4 is a front view thereof;
FIG. 5 is a right side view thereof;
FIG. 6 is a rear view thereof; and,
FIG. 7 is a bottom view thereof.

1 Claim, 7 Drawing Sheets



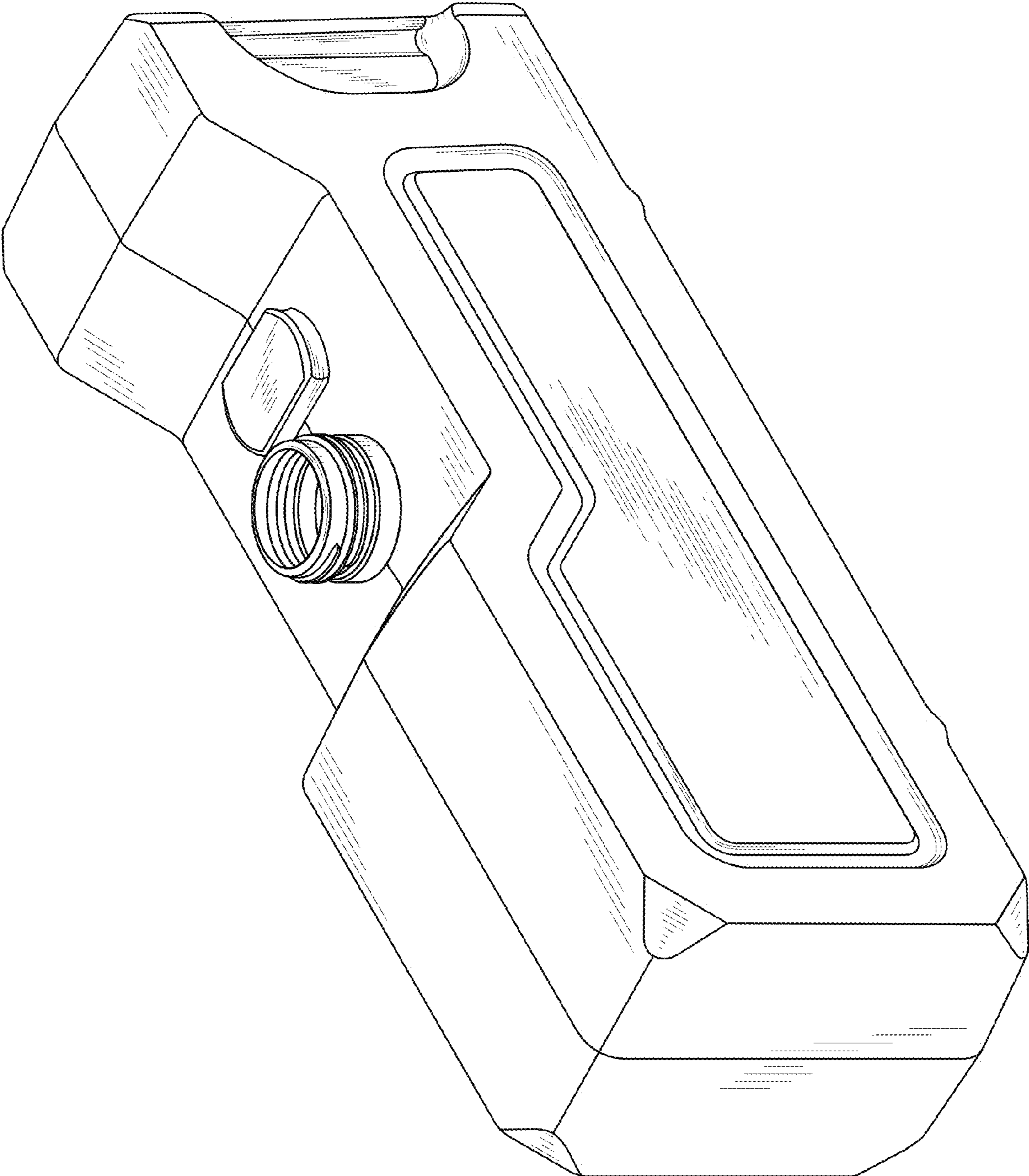


FIG. 1

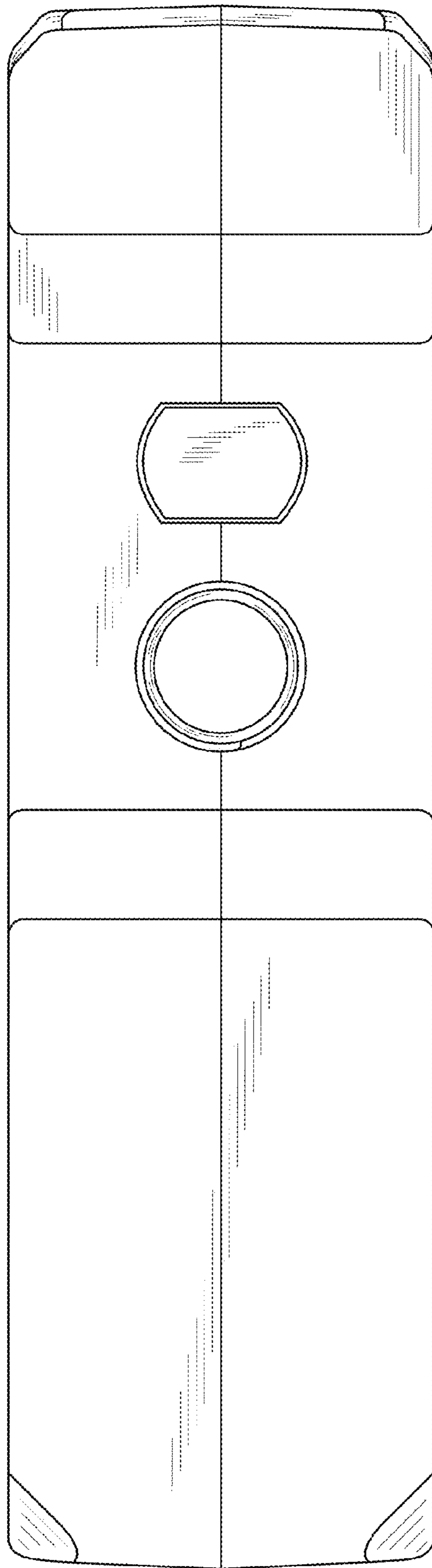


FIG. 2

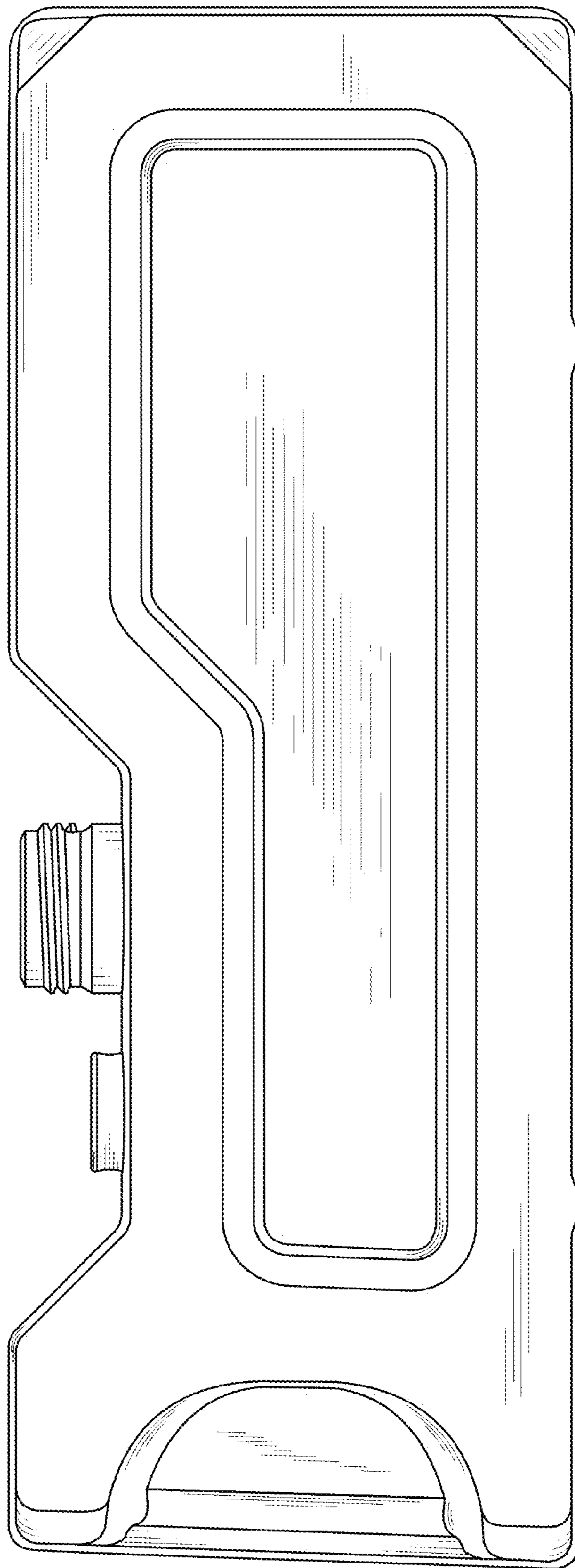


FIG. 3

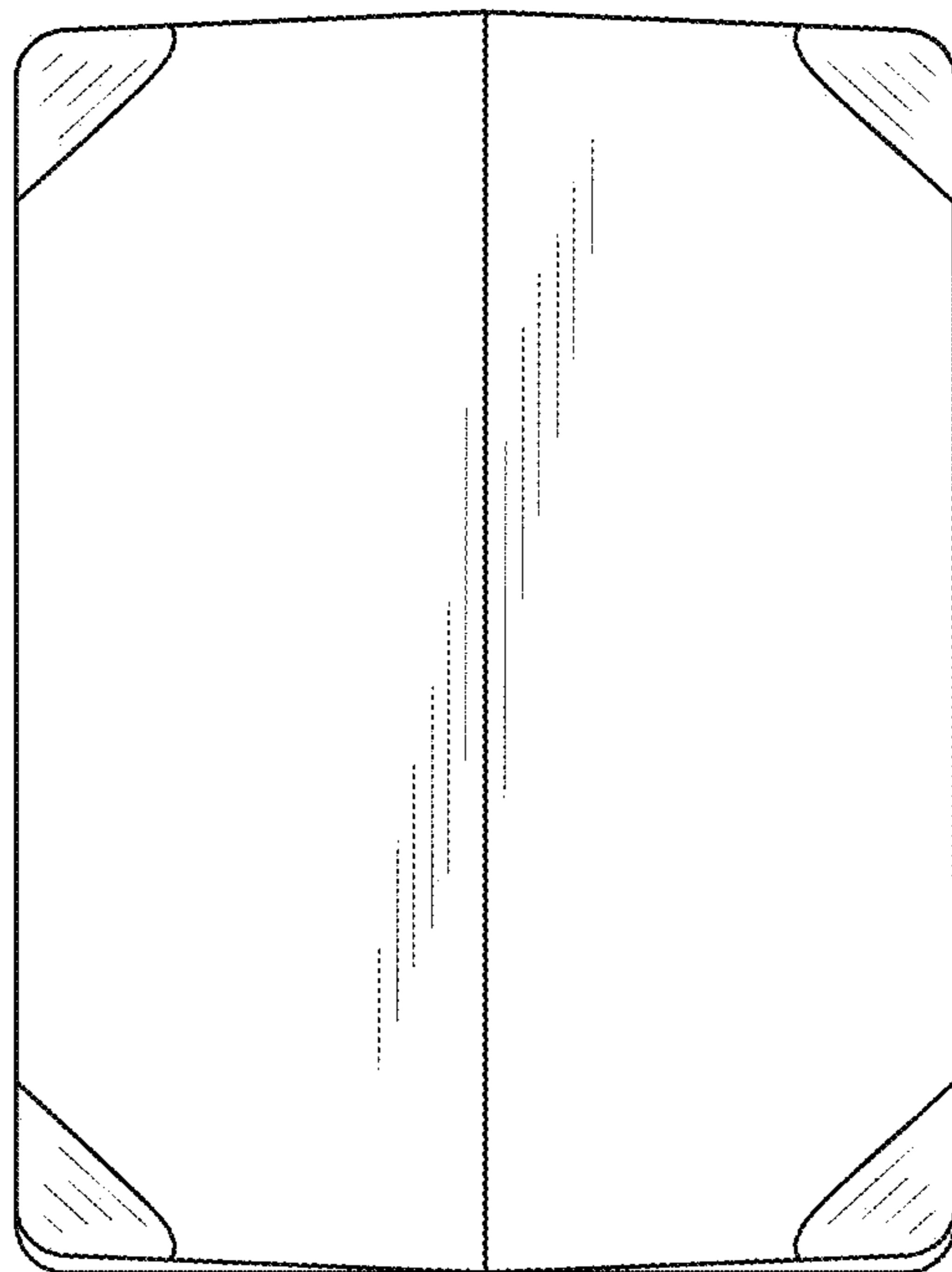


FIG. 4

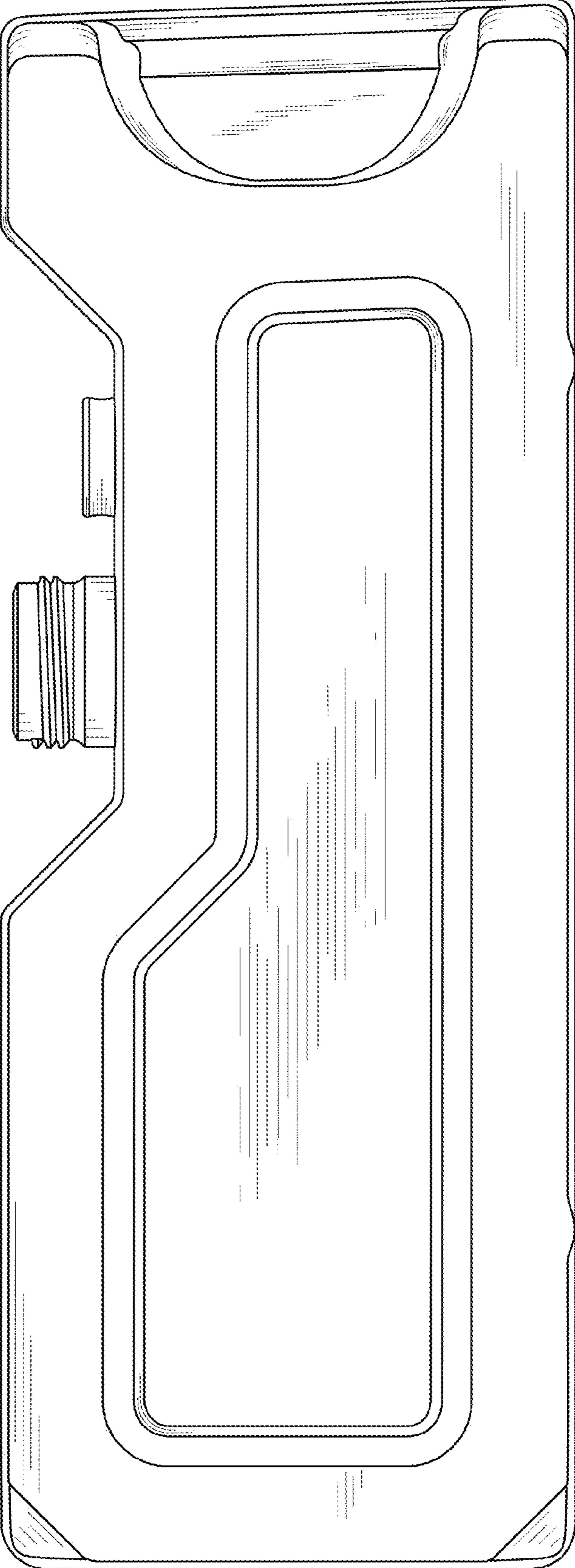


FIG. 5

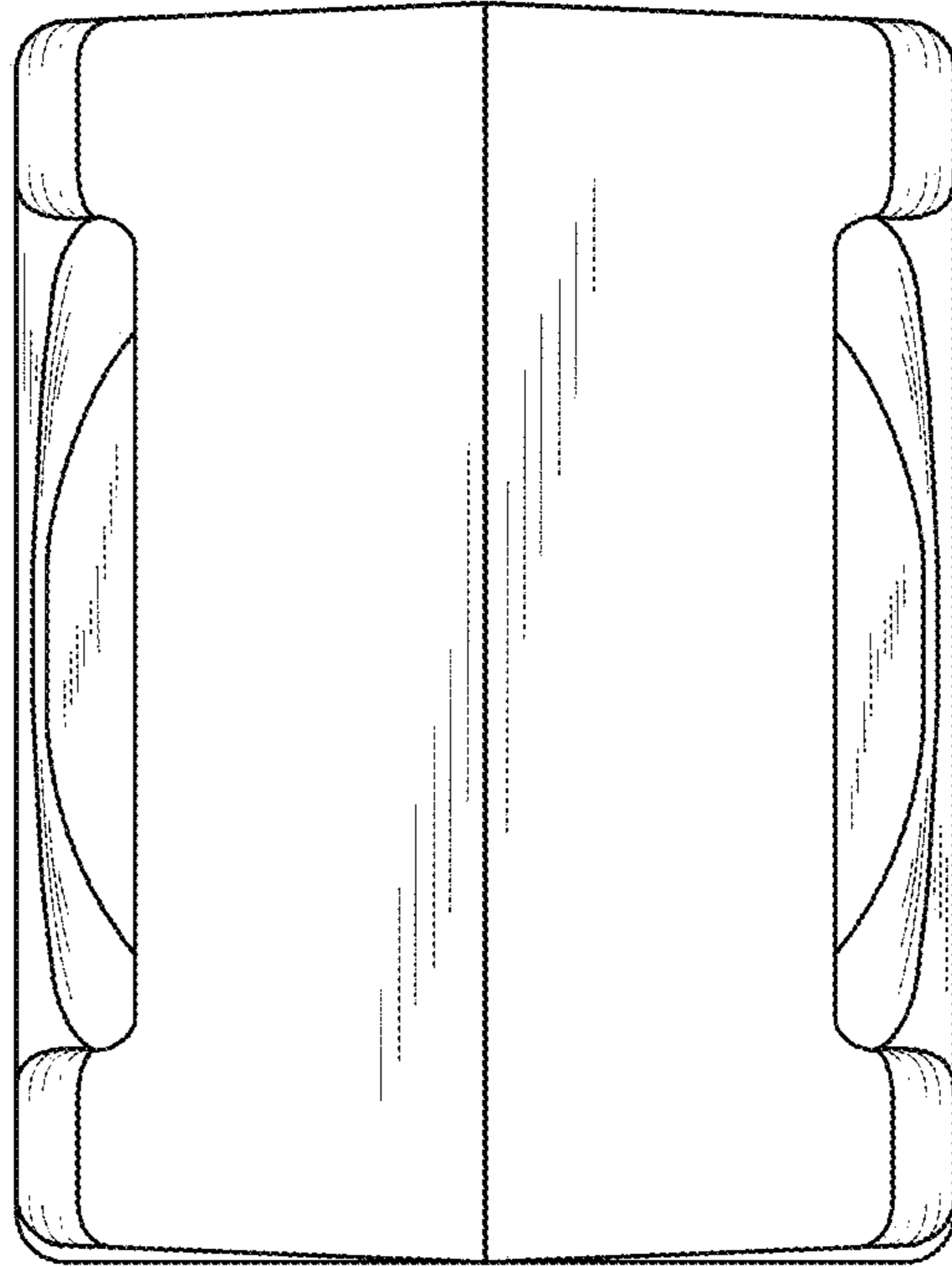


FIG. 6

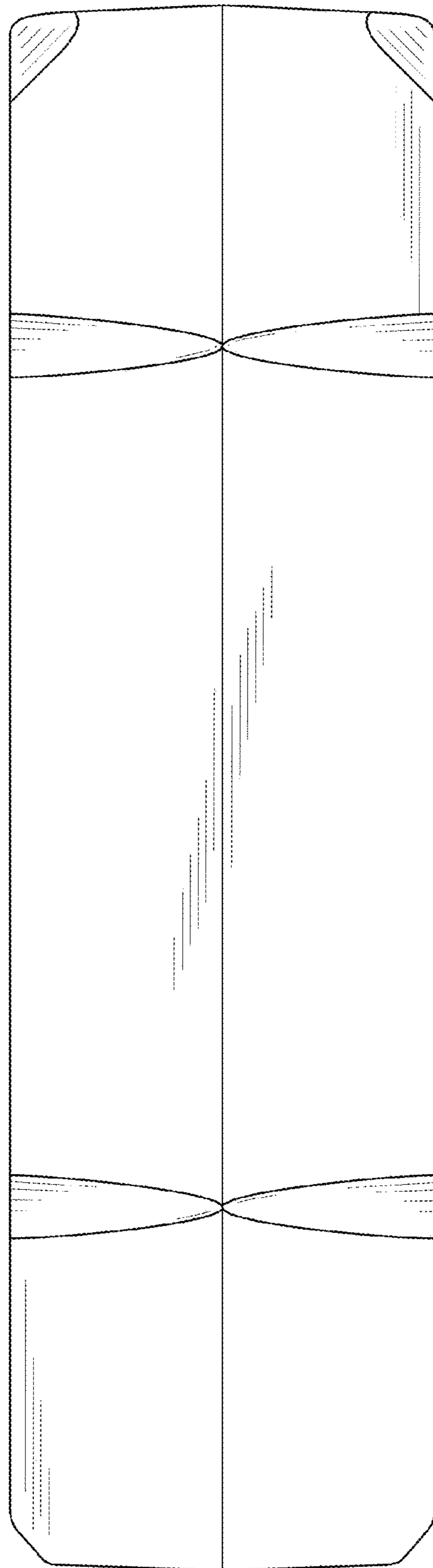


FIG. 7