



US00D986521S

(12) **United States Design Patent** (10) **Patent No.:** **US D986,521 S**
Xu (45) **Date of Patent:** **** May 16, 2023**

(54) **VACUUM CLEANER**

(71) Applicants: **JIANGSU MIDEA CLEANING APPLIANCES CO., LTD.**, Suzhou (CN); **MIDEA GROUP CO., LTD.**, Foshan (CN)

(72) Inventor: **Jian Xu**, Suzhou (CN)

(**) Term: **15 Years**

(21) Appl. No.: **29/767,593**

(22) Filed: **Jan. 24, 2021**

(30) **Foreign Application Priority Data**

Aug. 6, 2020 (CN) 202030443846.9

(51) **LOC (14) Cl.** **15-05**

(52) **U.S. Cl.**
USPC **D32/22**

(58) **Field of Classification Search**
USPC D32/15, 17-24, 45, 50-52
CPC . A47L 5/24; A47L 5/28; A47L 9/0411; A47L 9/0477; A47L 9/1625
See application file for complete search history.

(56) **References Cited**

U.S. PATENT DOCUMENTS

D573,759 S * 7/2008 Konno D32/22
D610,317 S * 2/2010 Lee D32/22
D633,264 S * 2/2011 Lee D32/22
D695,980 S * 12/2013 Thorne D32/22
D730,001 S * 5/2015 Yun D32/22
D739,620 S * 9/2015 Johnson D32/22
9,149,165 B2 * 10/2015 Krebs A47L 9/165
D768,944 S * 10/2016 Zhang D32/22
D769,557 S * 10/2016 Johnson D32/22

D770,106 S * 10/2016 Johnson D32/22
9,456,726 B2 * 10/2016 Reed A47L 5/26
D775,440 S * 12/2016 Kwon D32/22
9,591,951 B2 * 3/2017 Rukavina A47L 5/225
9,591,953 B2 * 3/2017 Conrad A47L 9/0477
D783,912 S * 4/2017 Shin D32/22
D789,626 S * 6/2017 Bloemendaal D32/22
D794,880 S * 8/2017 Zhou D32/22
D804,751 S * 12/2017 Johnson D32/22
D824,615 S * 7/2018 Bloemendaal D32/22
D887,656 S * 6/2020 Chei D32/22
10,799,080 B2 * 10/2020 Cho A47L 9/246
10,827,890 B2 * 11/2020 Conrad A47L 5/32
D928,432 S * 8/2021 Knapp D32/22
D930,926 S * 9/2021 Wroblewski D32/22
2014/0208536 A1 * 7/2014 Ni A47L 5/28
15/319
2014/0208540 A1 * 7/2014 Doerfler A47L 9/325
15/415.1

* cited by examiner

Primary Examiner — Kimberly Barnes

(74) *Attorney, Agent, or Firm* — Kilpatrick Townsend & Stockton, LLP

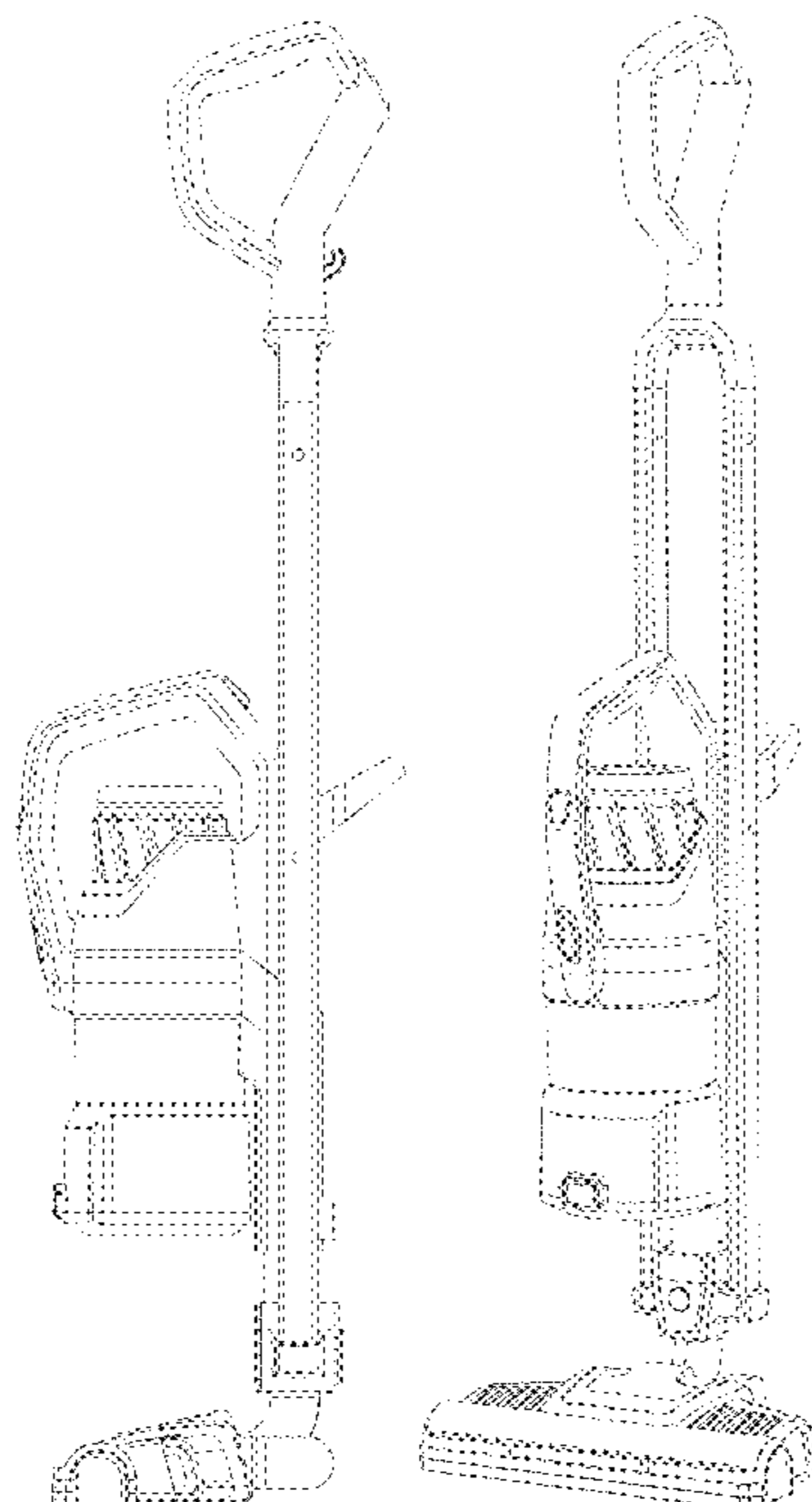
(57) **CLAIM**

The ornamental design for a vacuum cleaner, as shown and described.

DESCRIPTION

FIG. 1 is a front elevation view of a vacuum cleaner, showing my new design;
FIG. 2 is a back elevation view thereof;
FIG. 3 is a left elevation view thereof;
FIG. 4 is a right elevation view thereof;
FIG. 5 is a top plan view thereof;
FIG. 6 is a bottom plan view thereof; and,
FIG. 7 is a front perspective view thereof.

1 Claim, 7 Drawing Sheets



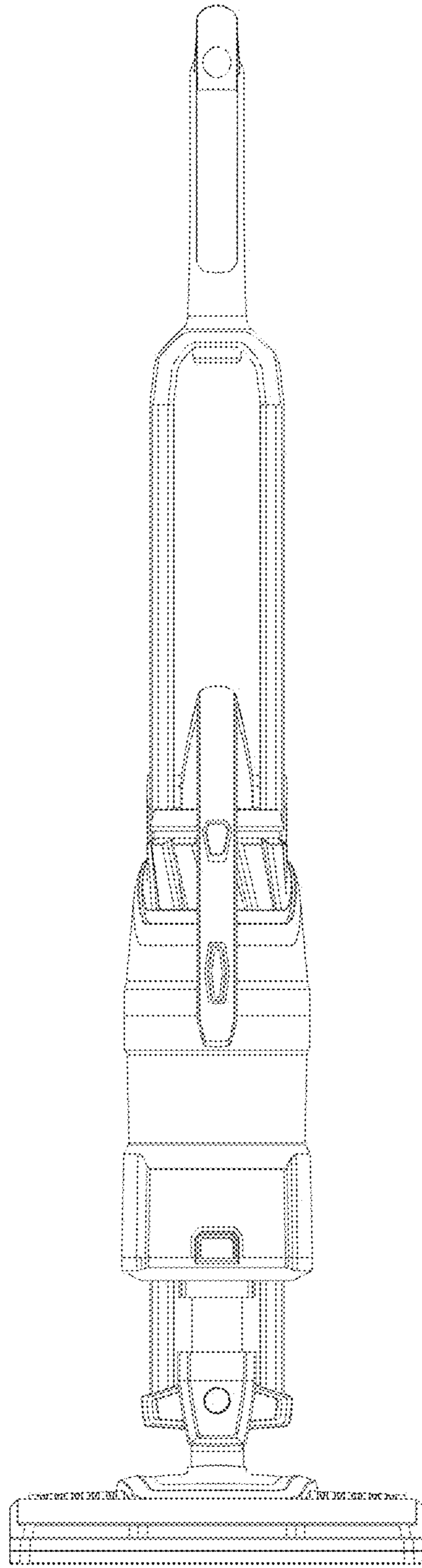


FIG. 1

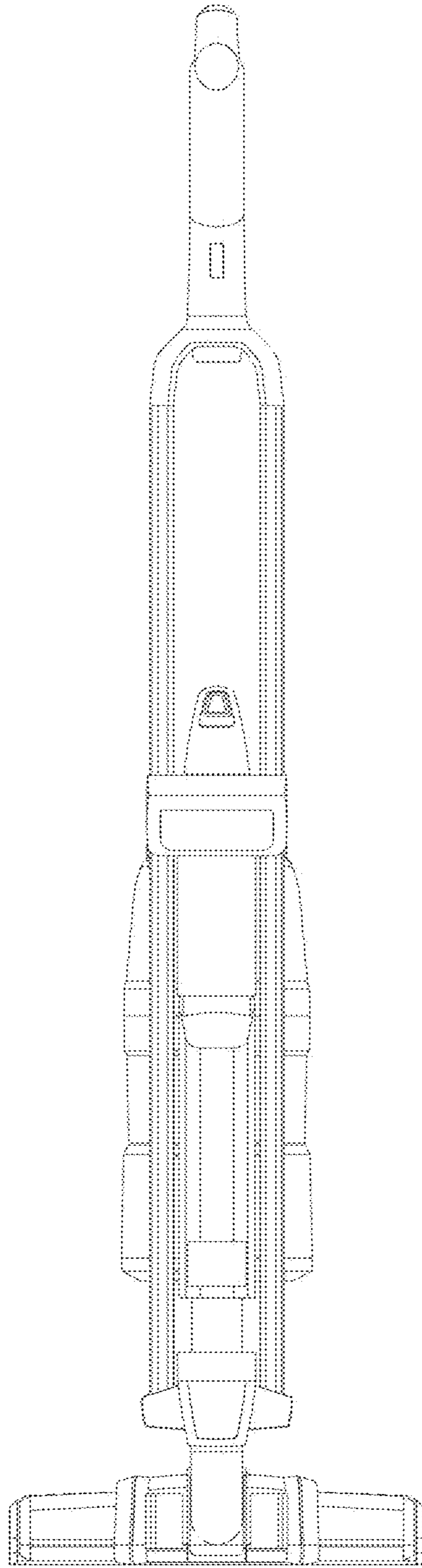


Fig. 2

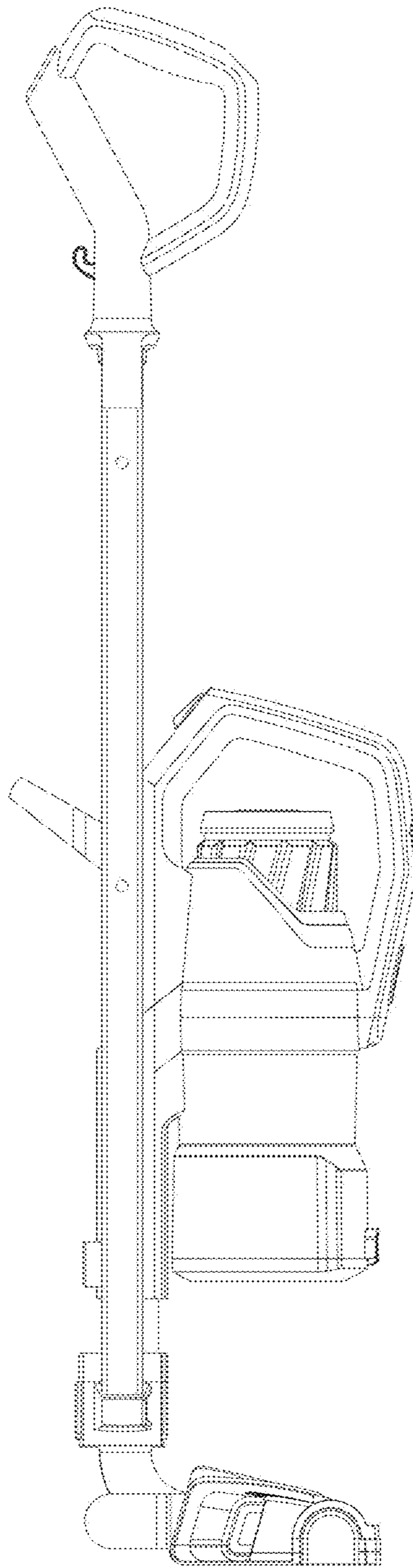


Fig. 3

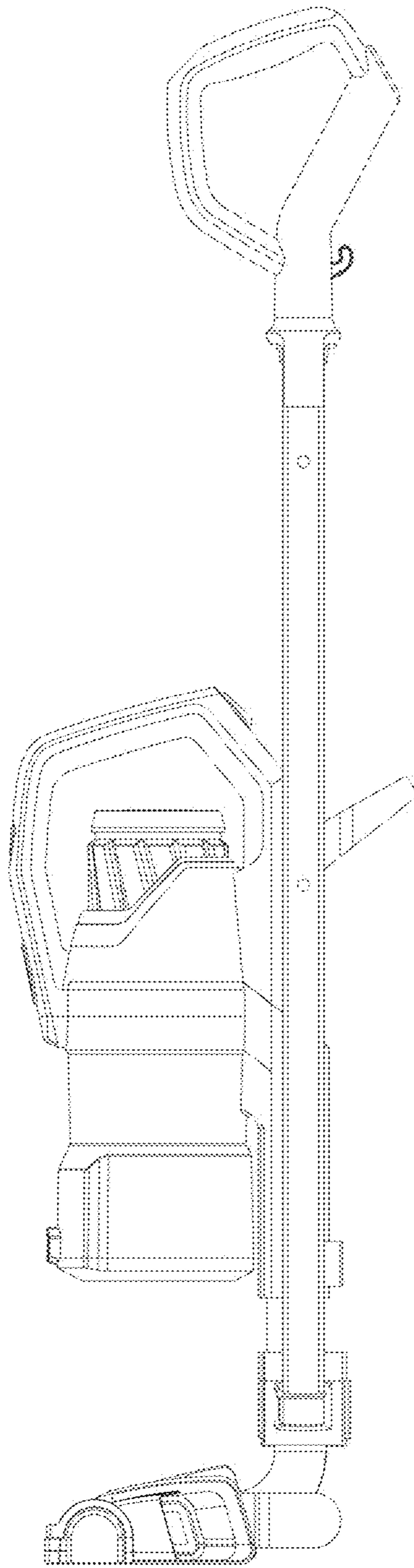


Fig. 4

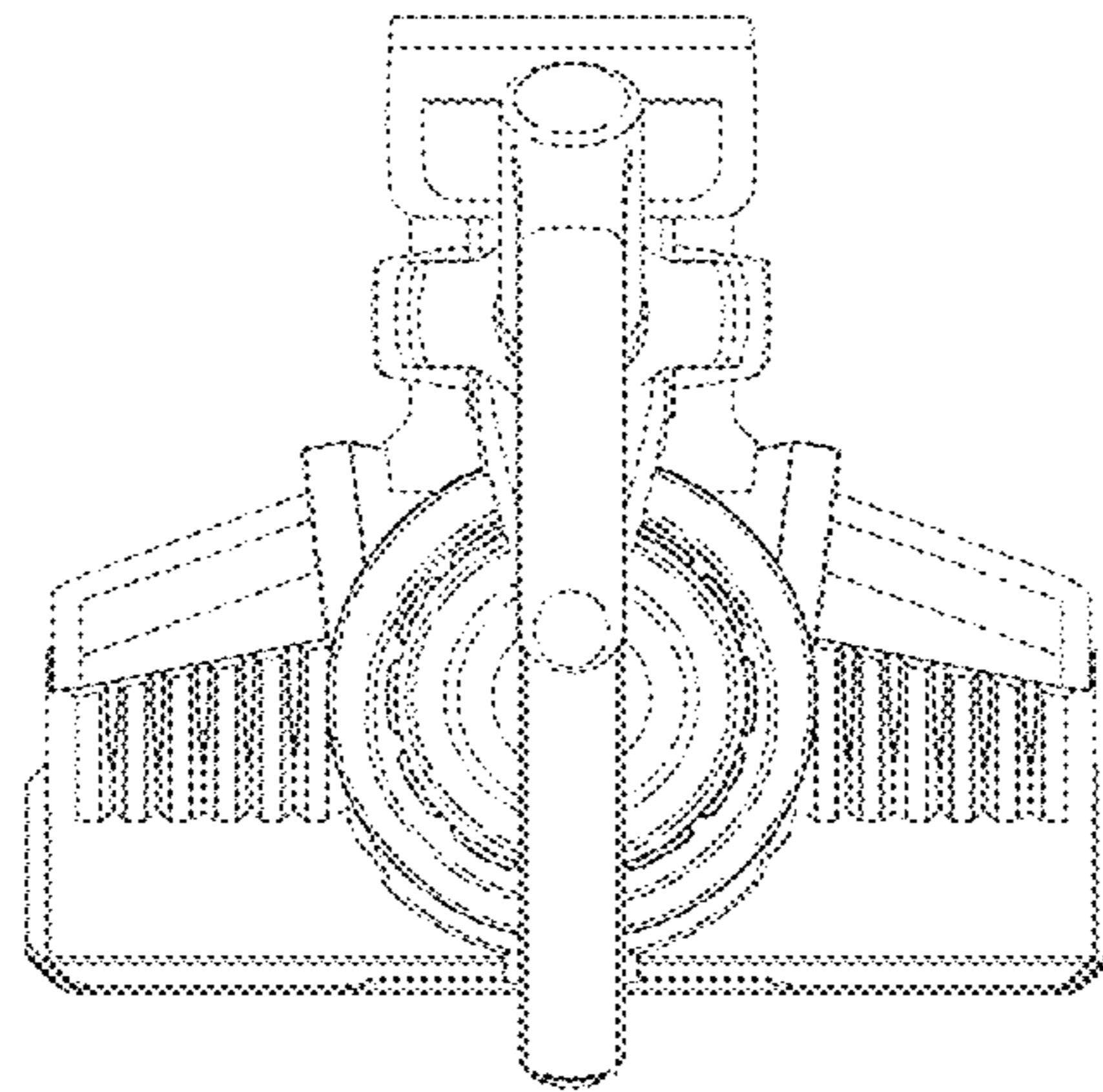


Fig. 5

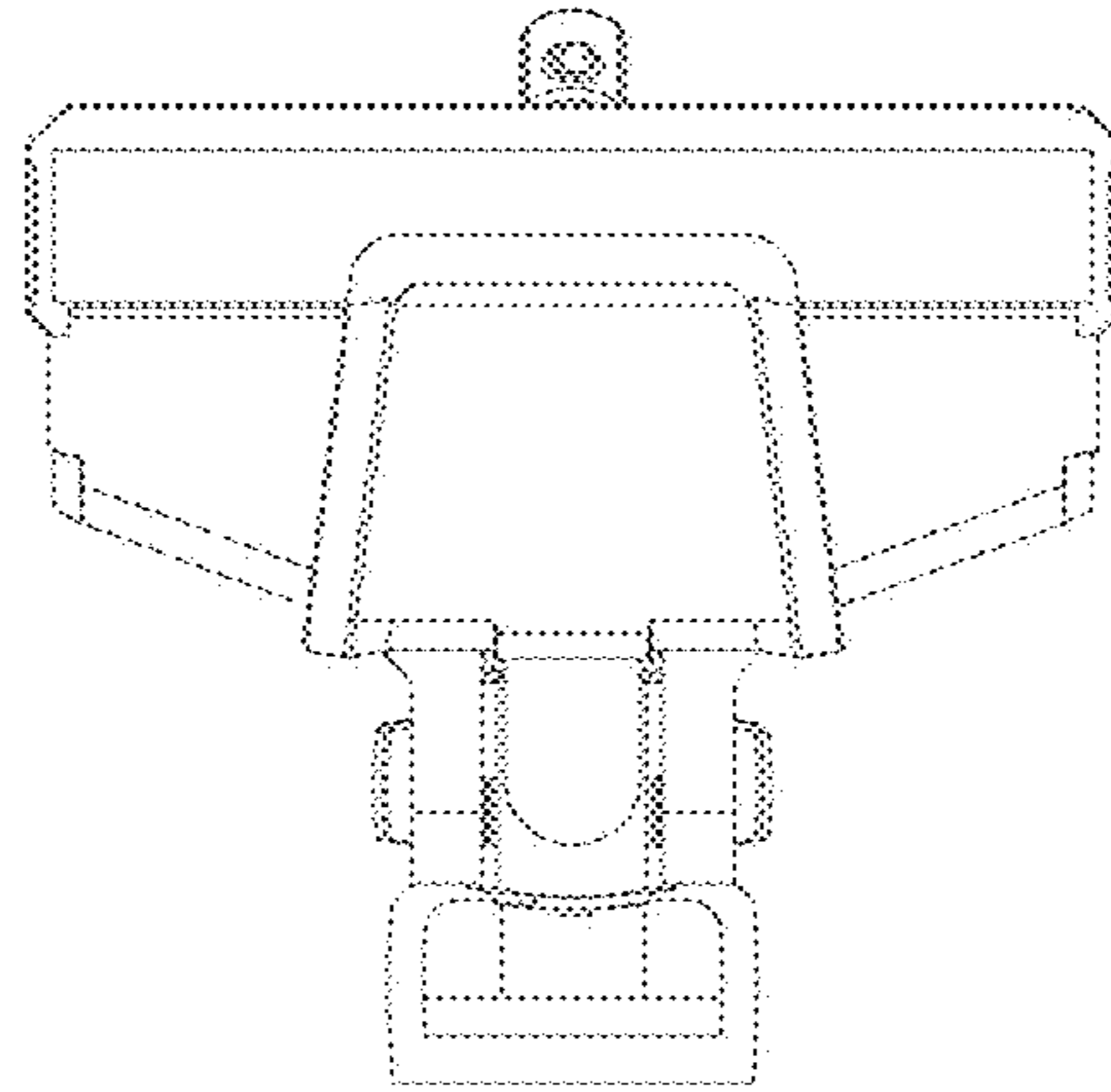


Fig. 6

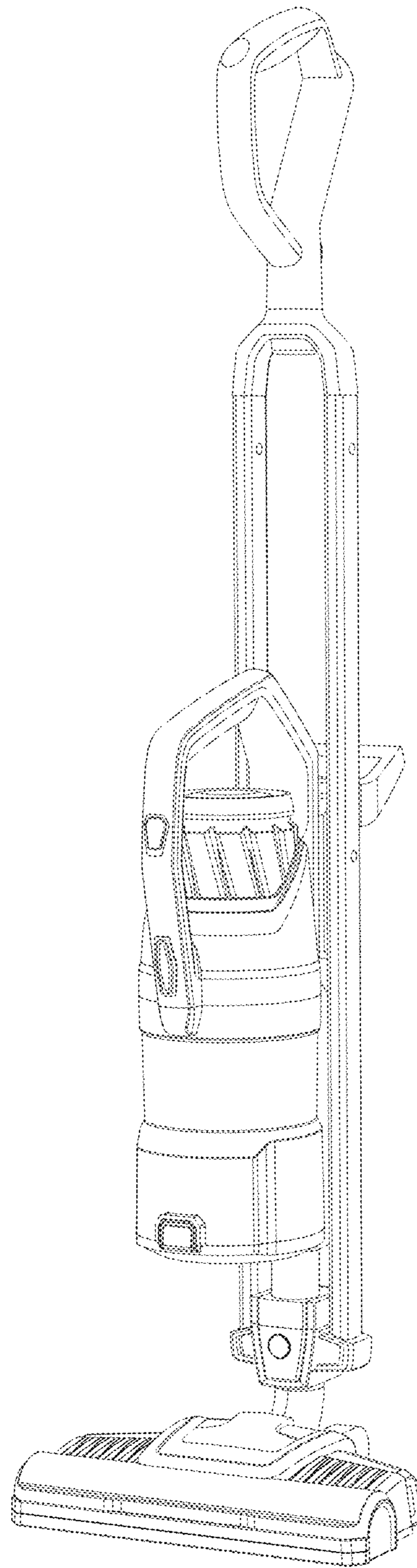


Fig. 7