



US00D986520S

(12) **United States Design Patent**
Xia

(10) **Patent No.:** **US D986,520 S**
(45) **Date of Patent:** **** May 16, 2023**

(54) **TRANSMITTER FOR DOG TRAINING COLLAR**

(71) Applicant: **Beidi Technology (Shenzhen) Co., Ltd.**, Shenzhen (CN)

(72) Inventor: **Xianrong Xia**, Hunan (CN)

(73) Assignee: **Beidi Technology (Shenzhen) Co., Ltd.**, Shenzhen (CN)

(**) Term: **15 Years**

(21) Appl. No.: **29/807,922**

(22) Filed: **Sep. 15, 2021**

(51) **LOC (14) Cl.** **30-99**

(52) **U.S. Cl.**
USPC **D30/199; D10/104.1**

(58) **Field of Classification Search**
USPC D30/151-155, 144, 199, 160;
119/792-798, 850, 855-859, 863-865,
119/654, 905, 907, 815, 712, 802, 784,
119/769, 760, 776, 862, 908, 860,
119/719-721; 242/381.1-381.2, 385.4,
242/378.3, 376.1, 385.1, 916, 601, 570,
242/405, 404, 371, 223, 170, 388.1,
242/405.2, 377, 381.3, 381.6, 405.3,
242/388.6, 384.7, 382, 396.1, 404.1, 380;
362/108; 33/767, 769, 414; D12/400;
D3/229, 230, 207, 208, 215; 40/1.5, 455,
40/640, 303; 206/63.3, 459.5, 702, 408;
D6/515; D8/358, 360, 347, 360.1, 359,
D8/356, DIG. 1; D24/145, 167, 186, 146,
D24/169; D10/57, 72, 106.1, 104.1,
D10/104.2, 109.2, 70, 97, 98, 78, 65;
D20/28; 224/666, 678; 16/445; 283/74,
283/70; D11/232, 200, 216, 1, 2, 86, 87,
D11/201, 206-210, 212-215, 218;
24/163 K, 122.3, 323, 702, 600.4-600.7,
24/163 R, 169-171, 173, 177-179, 191,
24/194, 195, 197, 200, 303, 616, 635,

24/313, 615, 3, 6, 3 K, 599.2, 96, 221,
24/237, 311, 312, 314, 321, 338, 339,
24/309; 428/3, 4; 54/76, 1, 71; 63/29.1,
63/3; 191/12.2 R, 12.4; D13/154, 153,
D13/137.4, 155, 103, 168; D19/69, 67;
379/438; 446/26; 473/576; D22/140;
174/135; 439/504, 13, 501; D34/33;
188/83, 82.1, 65.1; 254/134.3 FT;
D29/124; D2/627, 624, 633, 625;
132/145, 146, 148; 2/314; 59/79.1;
340/573.3, 573.1, 573, 573.4,
340/539.13-539.19; 343/895;
278/8 AES; 231/7; 361/232; D14/344,
(Continued)

(56) **References Cited**

U.S. PATENT DOCUMENTS

D395,882 S * 7/1998 Oross D14/137
D406,779 S * 3/1999 Pinardi D10/104.1
(Continued)

Primary Examiner — Susan Moon Lee
(74) *Attorney, Agent, or Firm* — Jeenam Park

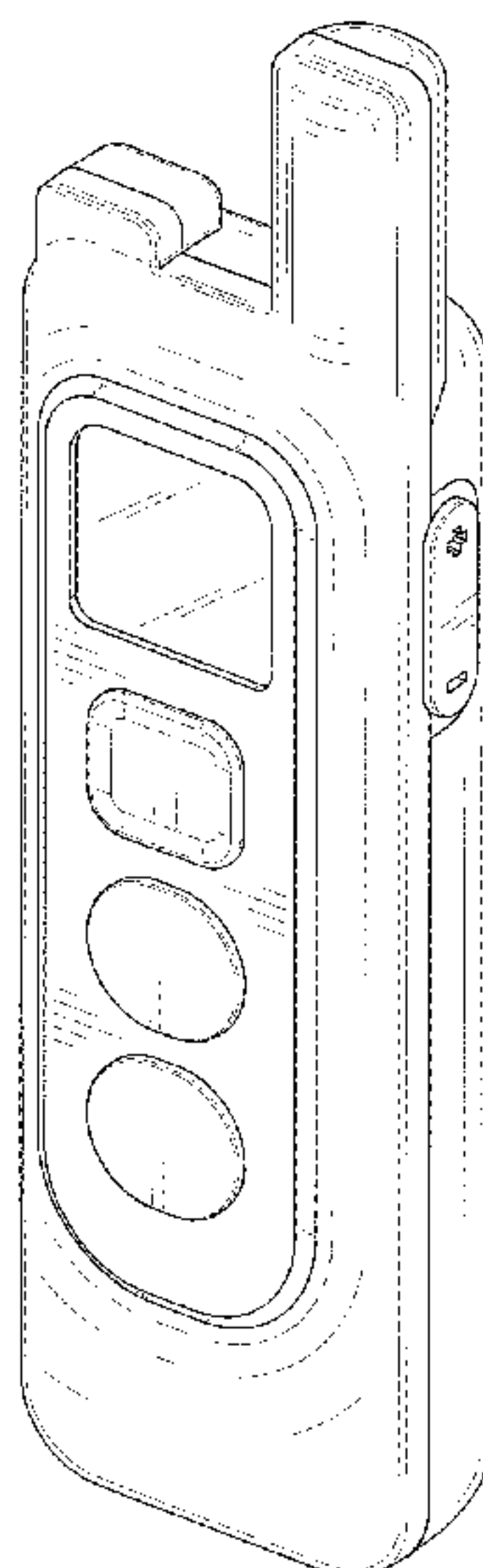
(57) **CLAIM**

The ornamental design for a transmitter for dog training collar, as shown and described.

DESCRIPTION

FIG. 1 is a front, right and top perspective view of a transmitter for dog training collar, showing my design.
FIG. 2 is a rear, left and bottom perspective view thereof.
FIG. 3 is a front elevation view thereof.
FIG. 4 is a rear elevation view thereof.
FIG. 5 is a left side elevation view thereof.
FIG. 6 is a right side elevation view thereof.
FIG. 7 is a top plan view thereof; and,
FIG. 8 is a bottom plan view thereof.

1 Claim, 8 Drawing Sheets



(58) **Field of Classification Search**

USPC D14/341, 137, 155, 496, 203.5, 203.3,
 D14/144, 218, 188, 216, 192;
 342/357.51, 357.57, 357.52, 357.55;
 455/100, 352, 456.1, 550.1; 315/291
 CPC A01K 15/021; A01K 15/02; A01K 15/022;
 A01K 15/023; A01K 15/029; A01K
 15/04; A01K 15/00; A01K 15/006; A01K
 12/022; A01K 27/009; A01K 27/00;
 A01K 27/001; A01K 27/006-008; A01K
 29/005; A01K 29/00; A61B 5/0002-0028;
 A61B 5/681; A61B 5/6822; A61B
 5/6824; A61B 5/6829; G01S 5/0294

See application file for complete search history.

(56) **References Cited**

U.S. PATENT DOCUMENTS

D482,630 S * 11/2003 So D30/199
 D541,253 S * 4/2007 Thoeny D14/155
 D566,712 S * 4/2008 Ah D14/426
 D570,793 S * 6/2008 Ikeda D13/168
 D612,853 S * 3/2010 Waterman D14/427
 7,837,112 B2 * 11/2010 An G06K 7/10891
 235/462.43
 D685,756 S * 7/2013 Liu D14/155
 D685,757 S * 7/2013 Liu D14/155
 D692,431 S * 10/2013 Arceta D14/427
 D708,796 S * 7/2014 Sproviero D10/104.1
 D711,848 S * 8/2014 Liu D14/155
 D726,681 S * 4/2015 Liu D14/155
 D737,004 S * 8/2015 Russell D30/199
 D774,935 S * 12/2016 Liu D10/104.1
 D790,546 S * 6/2017 Zhou D14/426
 D802,841 S * 11/2017 Kling D24/209
 D813,473 S * 3/2018 Ni D10/104.1

D835,861 S * 12/2018 Li D30/199
 D881,486 S * 4/2020 Li D10/104.1
 D883,829 S * 5/2020 Nytko D10/104.1
 D884,995 S * 5/2020 Ni D10/104.1
 D889,758 S * 7/2020 Van Curen D10/104.1
 D897,057 S * 9/2020 Jia D10/104.1
 D899,016 S * 10/2020 Jia D10/104.1
 D904,214 S * 12/2020 Zinn D10/104.1
 D915,319 S * 4/2021 Tschopp D14/137
 D917,115 S * 4/2021 Tang D10/104.1
 D924,826 S * 7/2021 Tschopp D14/137
 D925,691 S * 7/2021 Jia D22/120
 D928,157 S * 8/2021 Yen D14/426
 D931,557 S * 9/2021 Xie D10/104.1
 D935,112 S * 11/2021 Guo D10/104.1
 D936,916 S * 11/2021 Li D10/104.1
 D944,471 S * 2/2022 Li D10/104.1
 D946,218 S * 3/2022 Xiao D10/104.1
 D949,493 S * 4/2022 Luo D10/104.1
 D950,866 S * 5/2022 Wen D10/104.1
 D951,894 S * 5/2022 Xiao D14/137
 D952,967 S * 5/2022 Li D10/104.1
 D961,863 S * 8/2022 Zhu D10/104.1
 D961,864 S * 8/2022 Mo D10/104.1
 D963,967 S * 9/2022 Jia D10/104.1
 D963,968 S * 9/2022 Jia D10/104.1
 D964,668 S * 9/2022 Jia D10/104.1
 D964,669 S * 9/2022 Wei D10/104.1
 D968,728 S * 11/2022 Ye D10/104.1
 D970,129 S * 11/2022 Zhang D10/104.1
 D973,979 S * 12/2022 Zhong D30/152
 D973,980 S * 12/2022 Zhong D30/152
 D975,385 S * 1/2023 Wang D10/104.1
 D975,386 S * 1/2023 Wang D10/104.1
 D975,942 S * 1/2023 Tan D30/199
 2014/0261233 A1 * 9/2014 So A01K 27/009
 119/720
 2020/0015456 A1 * 1/2020 Van Curen A01K 15/022

* cited by examiner

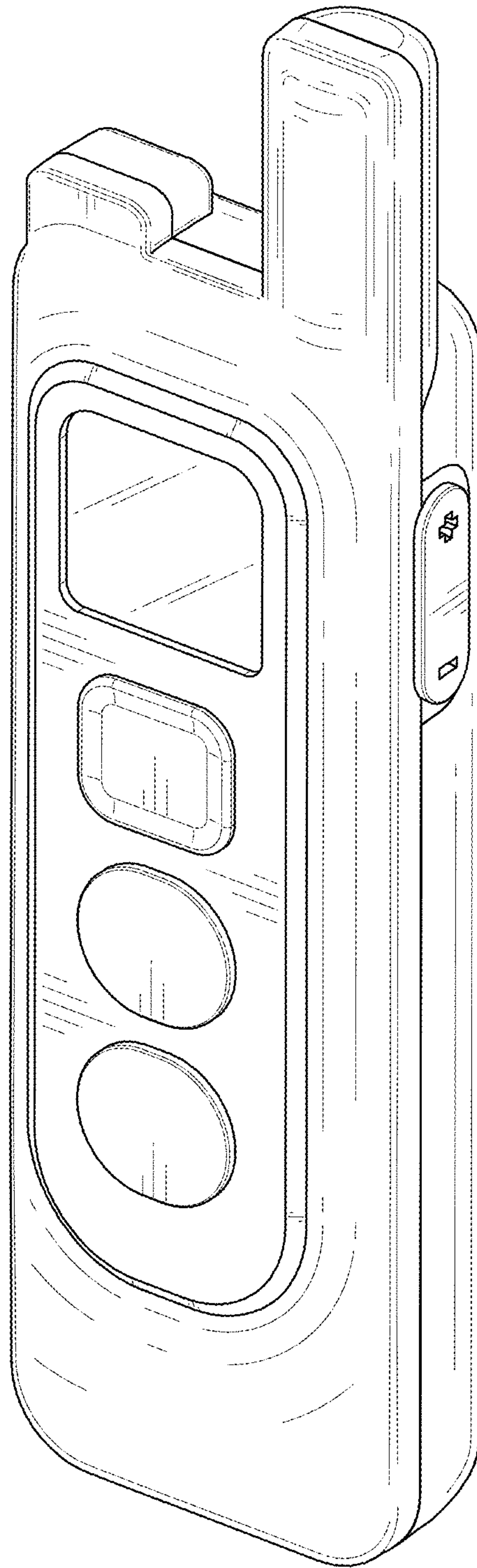


FIG. 1

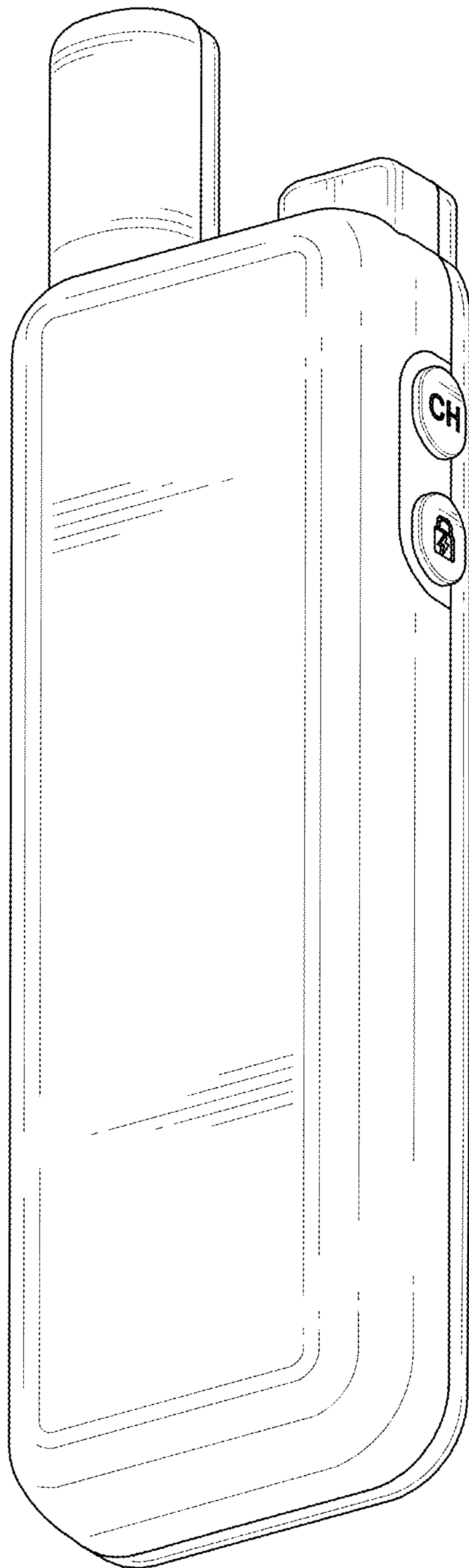


FIG. 2

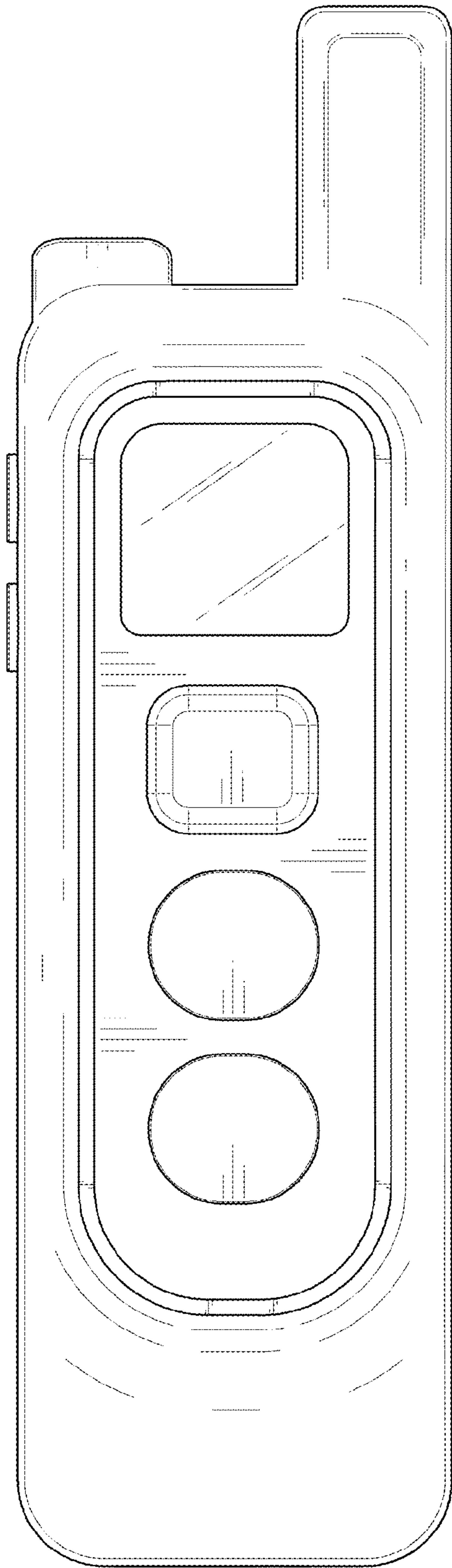


FIG. 3

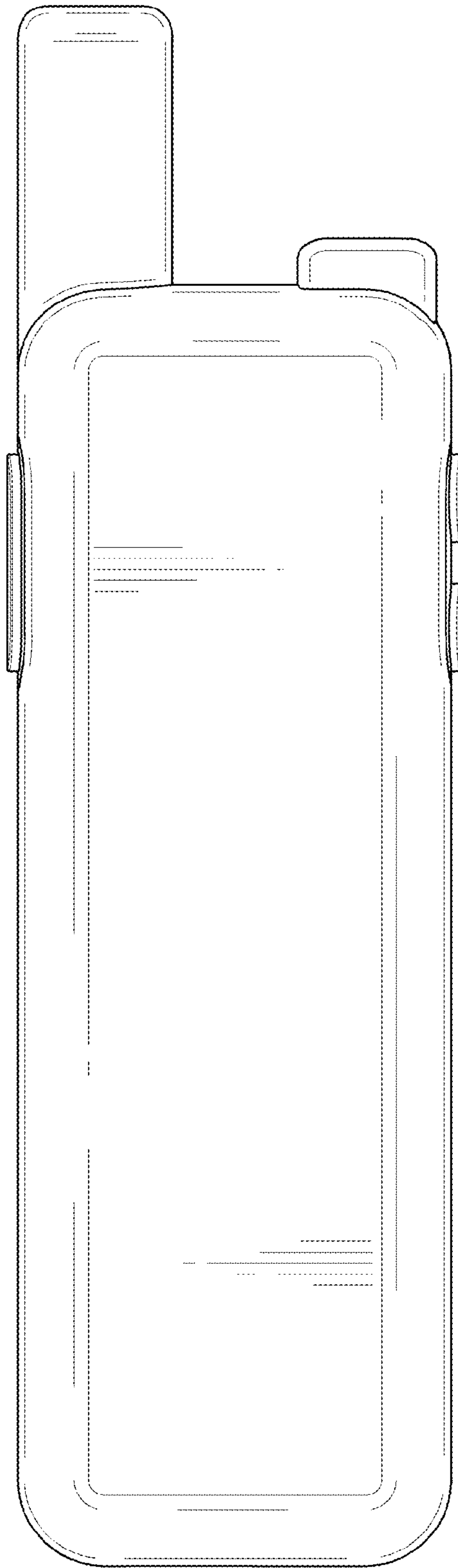


FIG. 4

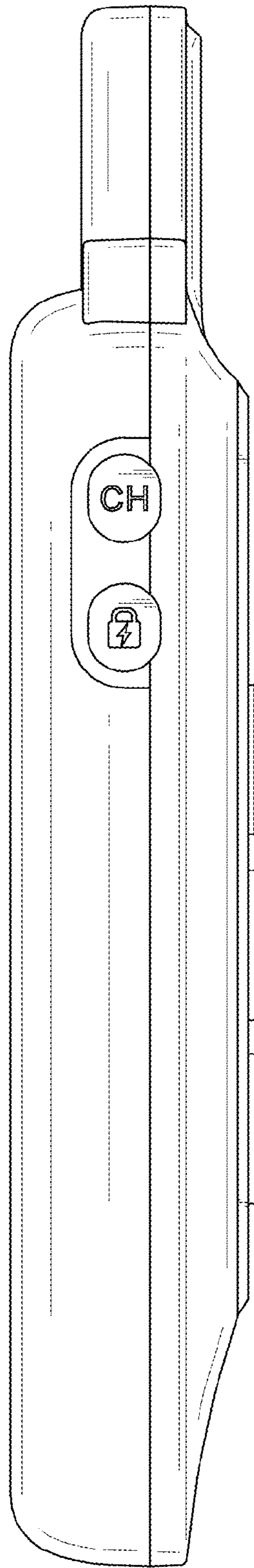


FIG.5

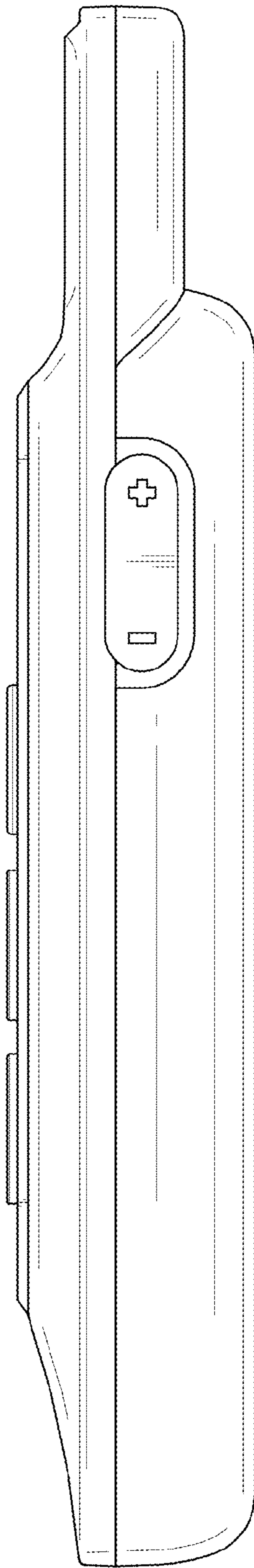


FIG. 6

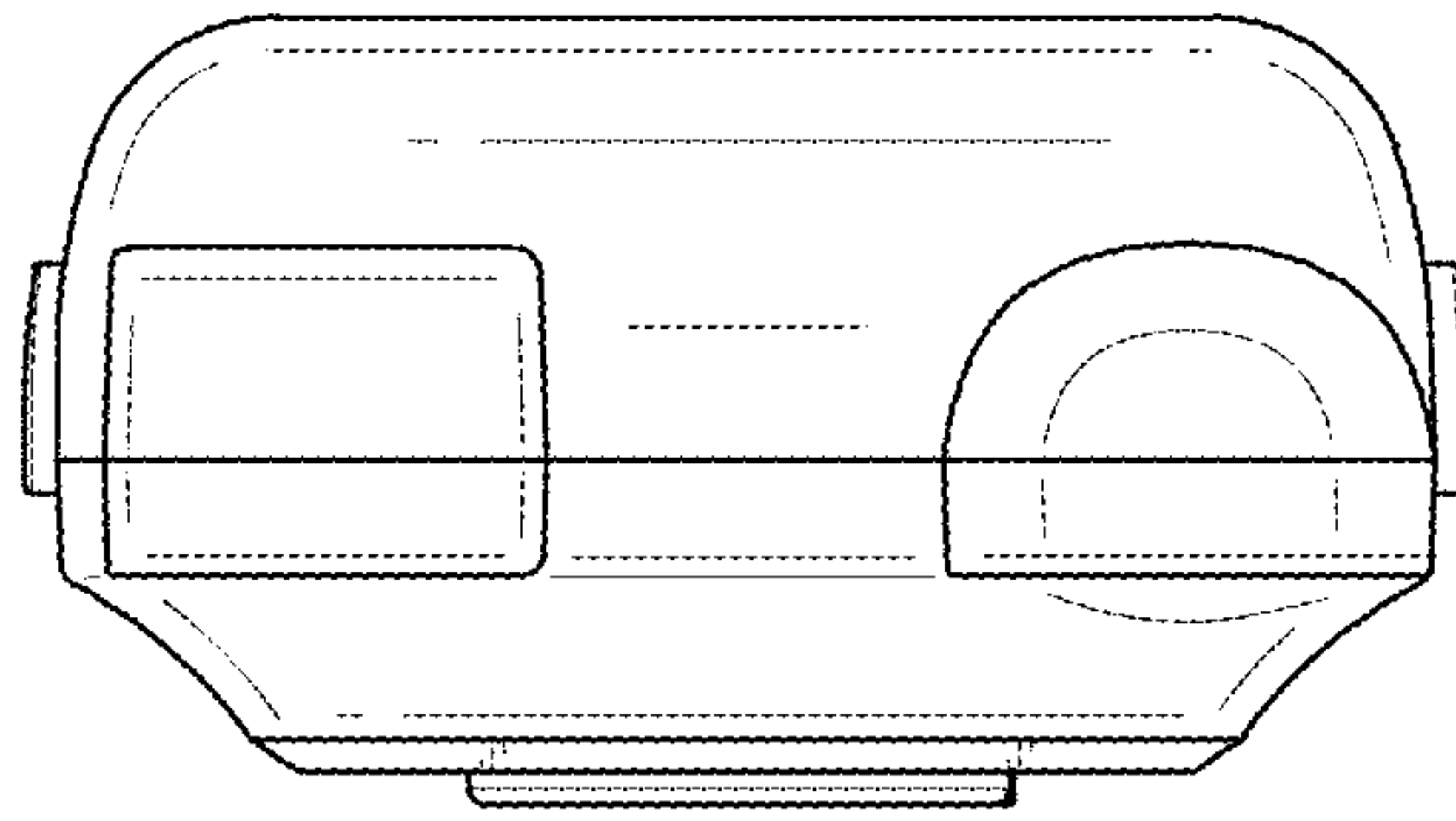


FIG.7

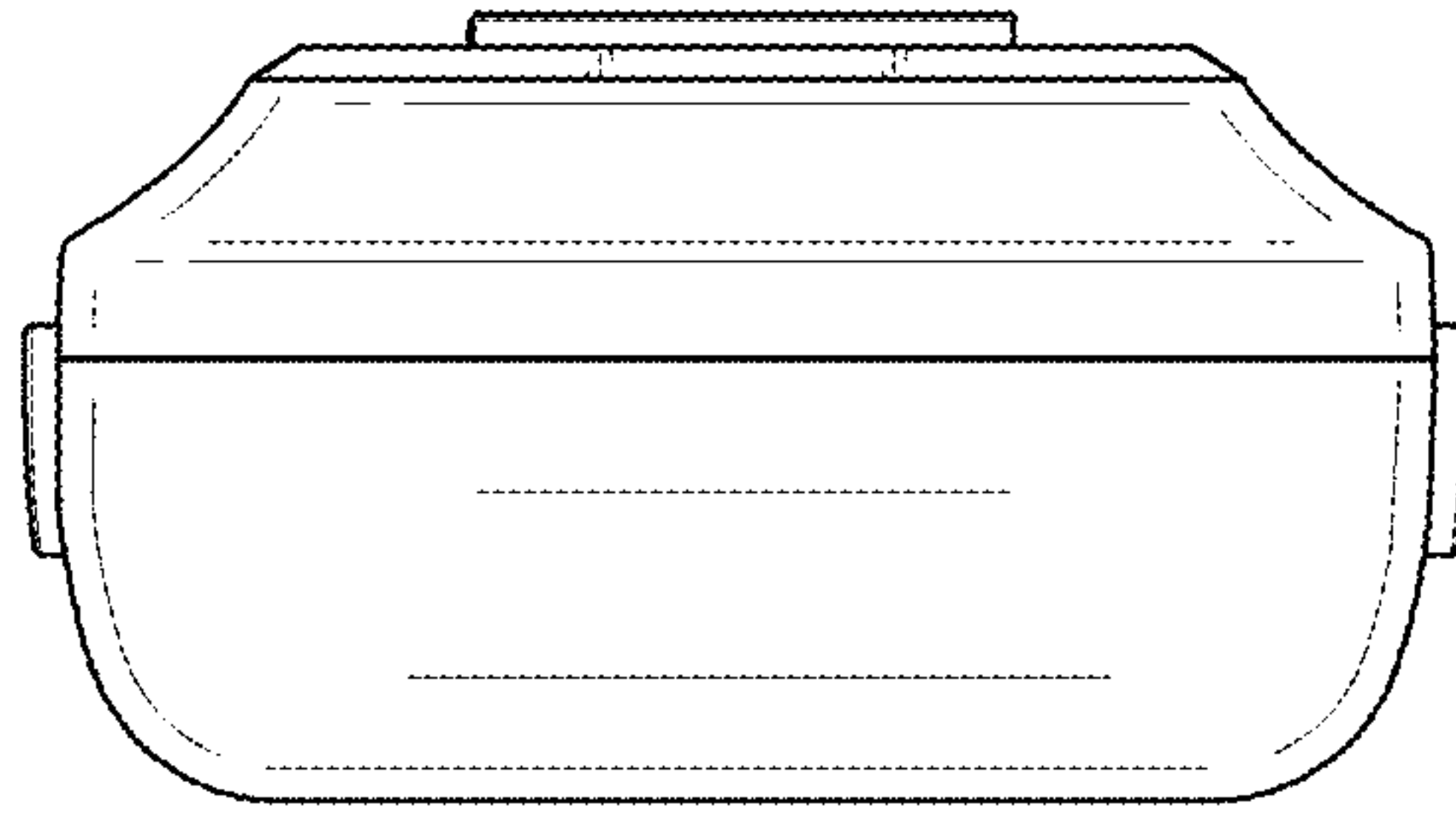


FIG. 8