



US00D986515S

(12) **United States Design Patent** (10) **Patent No.:** **US D986,515 S**  
**Su** (45) **Date of Patent:** **\*\* May 16, 2023**

(54) **PET NAIL GRINDER**

OTHER PUBLICATIONS

(71) Applicant: **SHENZHEN CHAOBAO TRADING CO., LTD.**, Shenzhen (CN)

Toozezy Nail Grinder for Dogs and Cats with 4 Integrated LED Light, posted Apr. 13, 2021, retrieved Jan. 17, 2023 [online]. URL: <https://www.amazon.de/-/en/Toozezy-Nail-Grinder-Integrated-Light/dp/B092D5V49G?th=1> (Year: 2021).\*

(72) Inventor: **Hang Su**, Shenzhen (CN)

Toozezy Dog Nail Grinder with 4 LED Lights, posted May 4, 2021, retrieved Jan. 17, 2023 [online]. URL: <https://www.amazon.com/Toozezy-Professional-Powerful-Electric-Grinding/dp/B0948JMV5?th=1> (Year: 2021).\*

(\*\*) Term: **15 Years**

Professional Dog Nail Grinder, posting date unavailable, retrieved Jan. 17, 2023 [online]. URL: <https://toozezy.com/products/toozezy-professional-dog-nail-grinder> (Year: 2023).\*

(21) Appl. No.: **29/767,341**

(22) Filed: **Jan. 21, 2021**

(51) **LOC (14) Cl.** ..... **30-99**

(52) **U.S. Cl.**  
USPC ..... **D30/158**

(58) **Field of Classification Search**  
USPC ..... D30/158, 159, 199; D28/56-62; D8/61, D8/62, 69, 70

CPC .... A01K 13/00; A01K 13/001; A01K 13/002; A01K 13/0002; A45D 29/02; A45D 29/04; A45D 29/05; A45D 29/06; A45D 29/11; A45D 29/14; A45D 24/007

See application file for complete search history.

\* cited by examiner

*Primary Examiner* — Sheryl Lane  
*Assistant Examiner* — Emily A Caven

(57) **CLAIM**

The ornamental design for a pet nail grinder, as shown and described.

(56) **References Cited**

**DESCRIPTION**

U.S. PATENT DOCUMENTS

D368,984 S *	4/1996	Nakashima	.....	D28/53
D434,181 S *	11/2000	Watanabe	.....	D28/9
D689,354 S *	9/2013	Mitchell	.....	D8/61
D843,800 S *	3/2019	Jiang	.....	D8/61
D909,689 S *	2/2021	Xu	.....	D30/158
D910,937 S *	2/2021	Wei	.....	D30/158
D917,110 S *	4/2021	Guo	.....	D30/158
D917,111 S *	4/2021	Guo	.....	D30/158
D918,494 S *	5/2021	Wei	.....	D30/158
D933,313 S *	10/2021	Jiang	.....	D28/59
D942,688 S *	2/2022	Zhang	.....	D28/59
D951,560 S *	5/2022	Chen	.....	D30/158

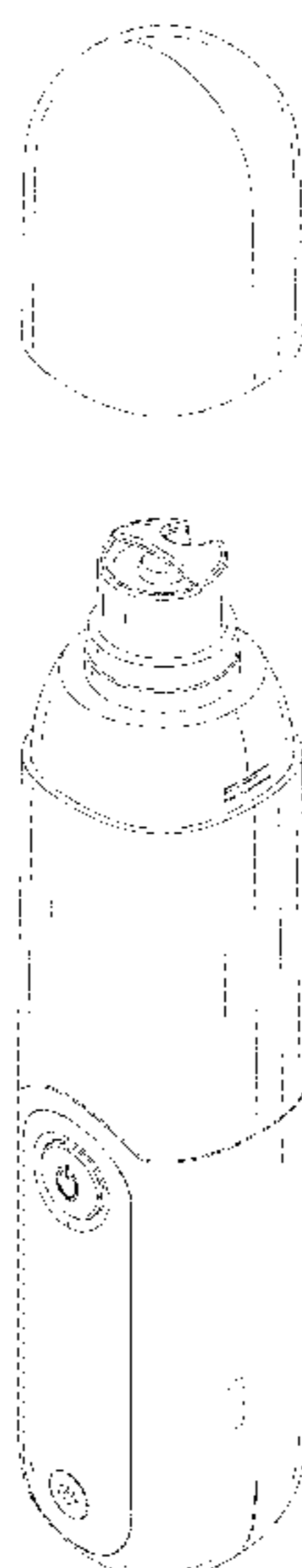
FIG. 1 is a front, right side, top perspective view of a pet nail grinder showing my new design;  
FIG. 2 is a front elevational view thereof;  
FIG. 3 is a rear elevational view thereof;  
FIG. 4 is a left side elevational view thereof;  
FIG. 5 is a right side elevational view thereof;  
FIG. 6 is a top plan view thereof;  
FIG. 7 is a bottom plan view thereof; and,  
FIG. 8 is a front, right side, top elevational view thereof when the top cap of the pet nail grinder is removed therefrom.

FOREIGN PATENT DOCUMENTS

CN	306683081	*	7/2021
EM	008405468-0001	*	2/2021

The broken lines depict portions of the pet nail grinder that form no part of claimed design.

**1 Claim, 8 Drawing Sheets**



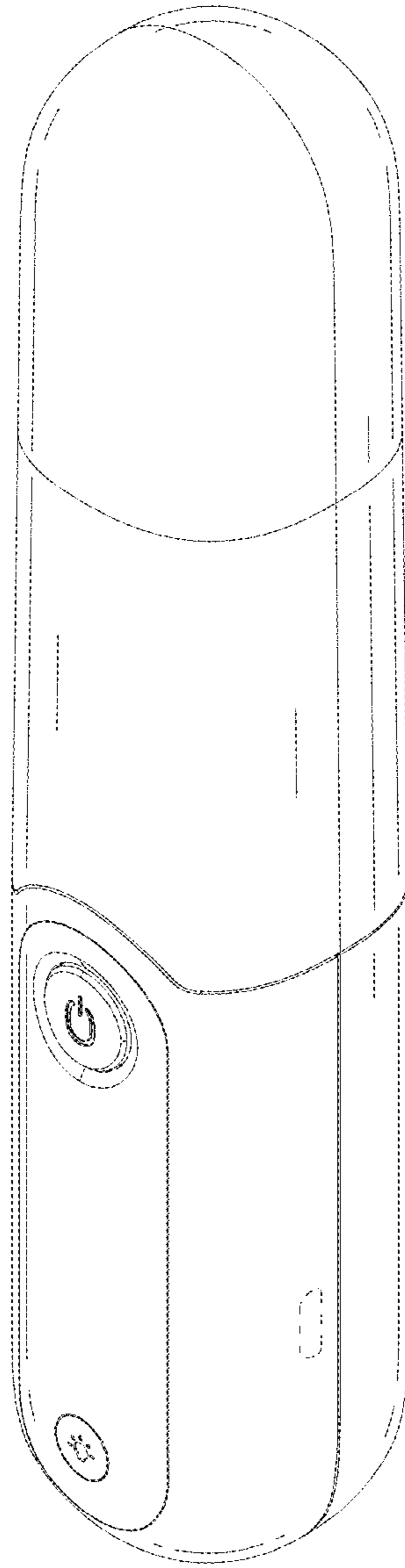


FIG.1

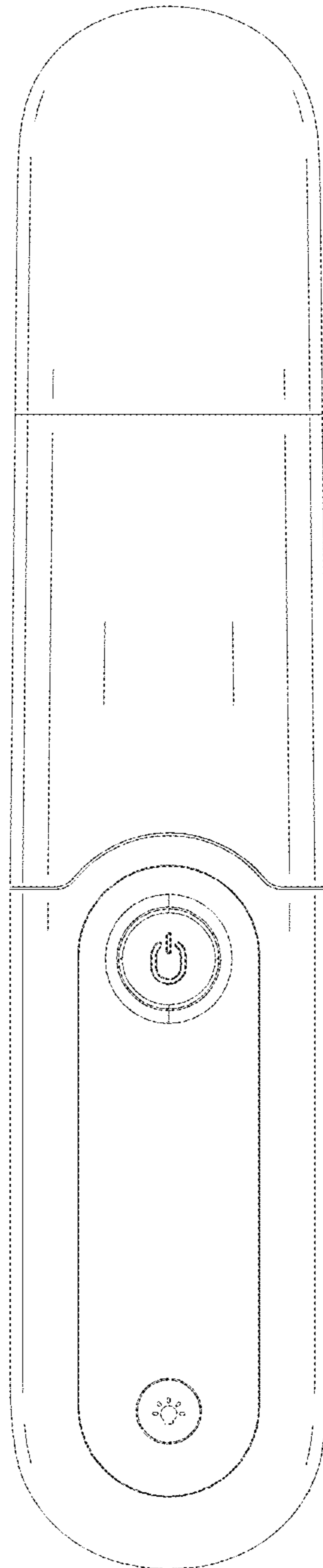


FIG. 2

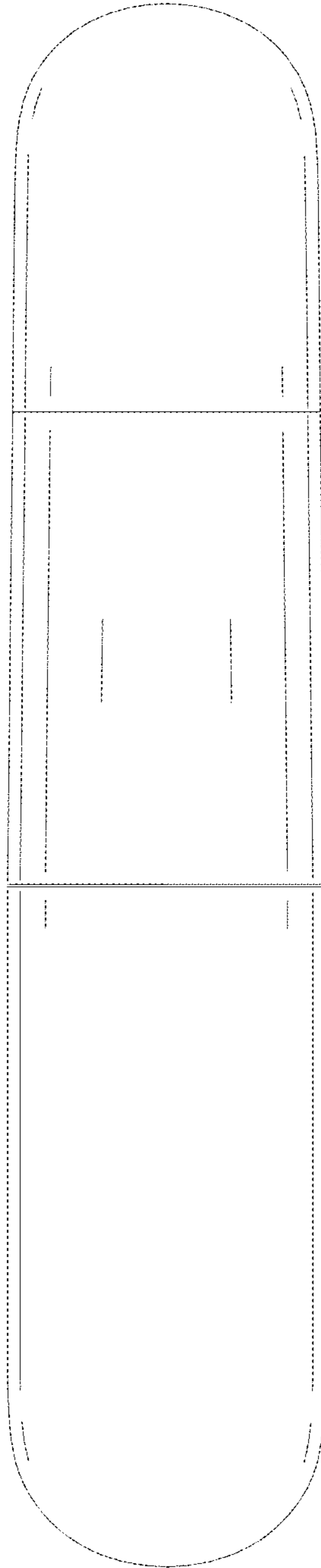


FIG. 3

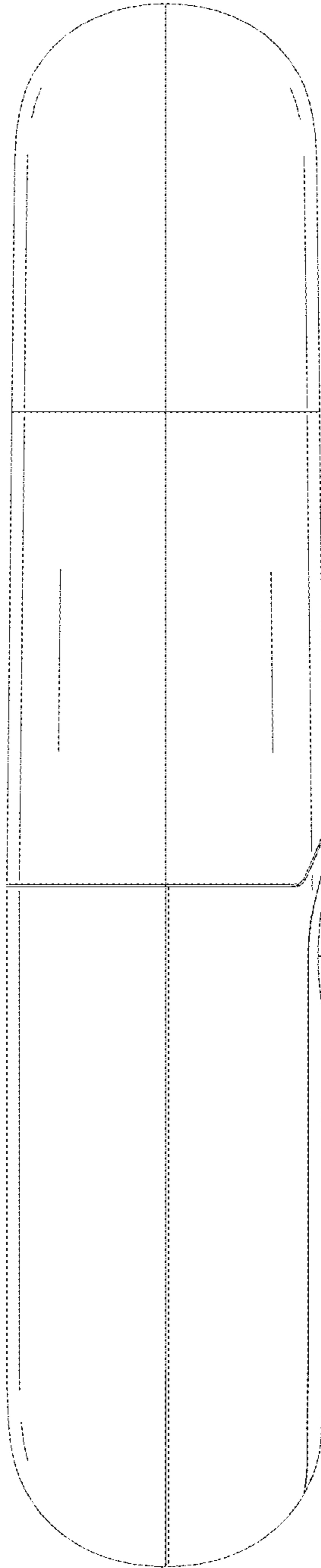


FIG. 4

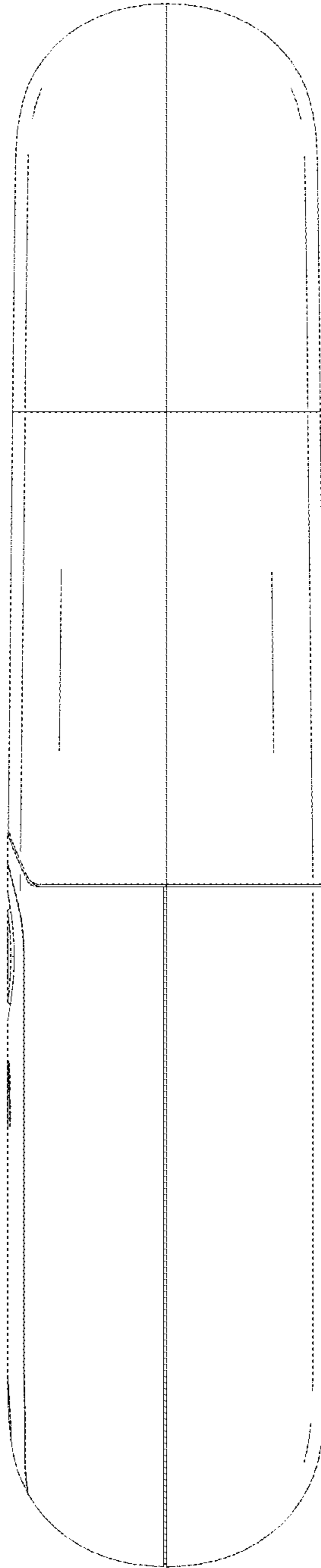


FIG.5

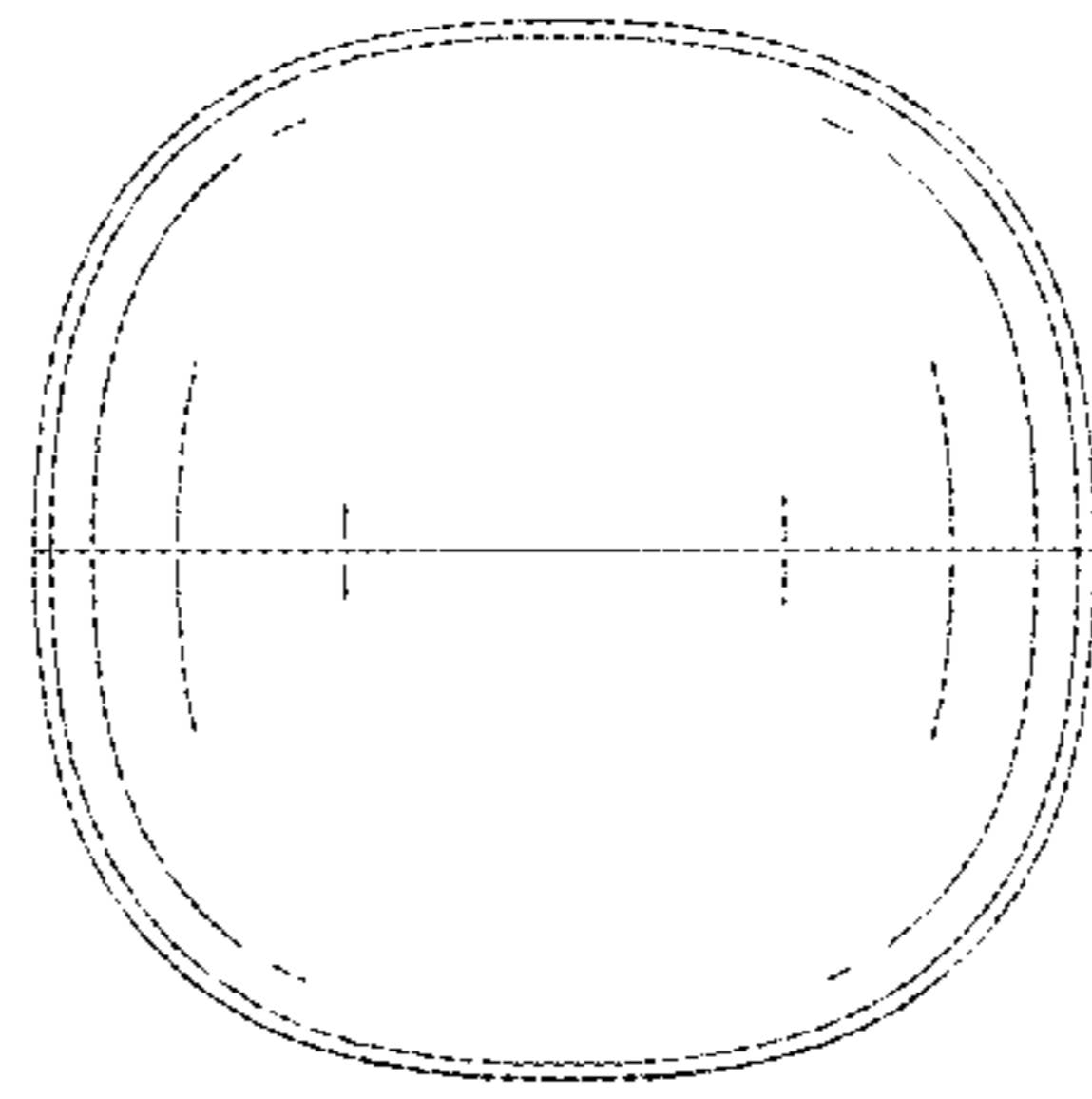


FIG. 6

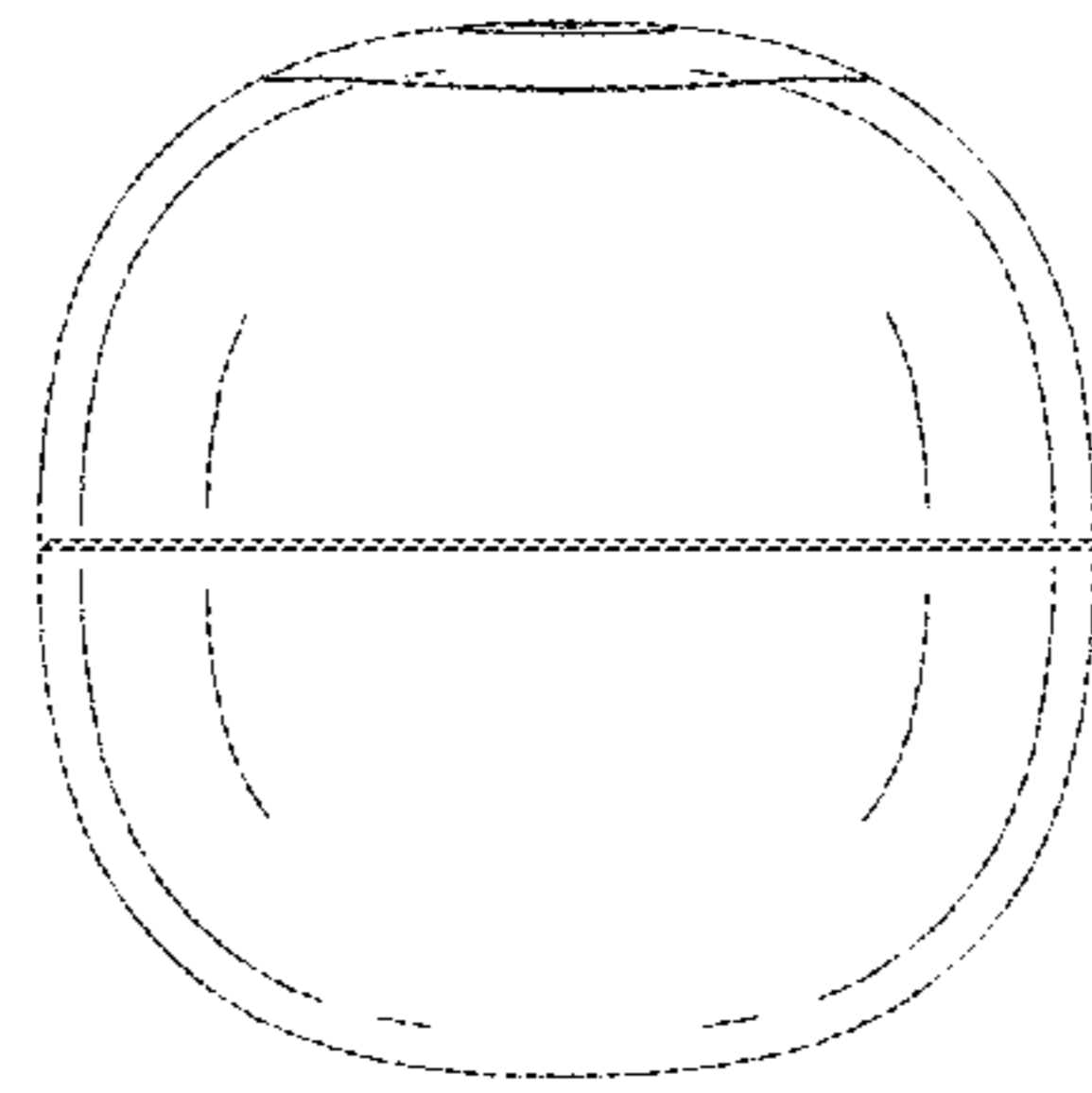


FIG.7



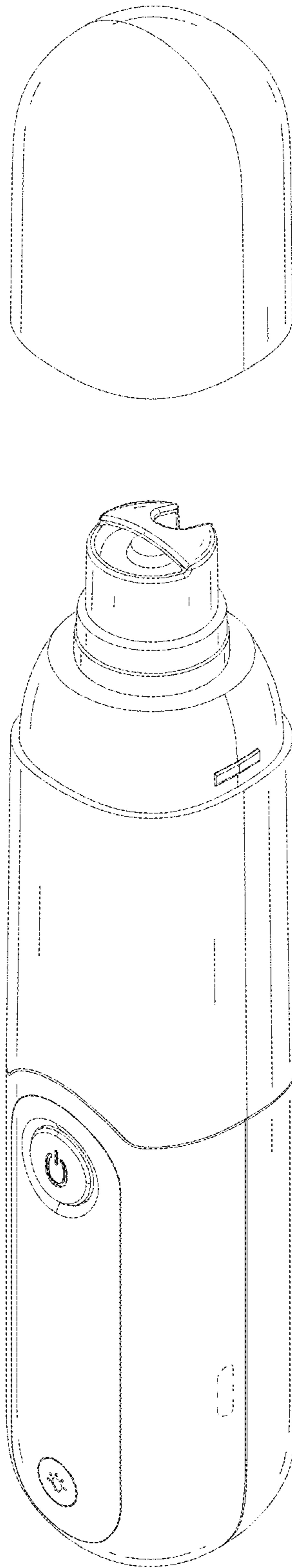


FIG.8