



US00D986514S

(12) **United States Design Patent**  
**Xu**

(10) **Patent No.:** **US D986,514 S**

(45) **Date of Patent:** **\*\* May 16, 2023**

(54) **PET LEAD**

(71) Applicant: **Quan Xu**, Hubei (CN)

(72) Inventor: **Quan Xu**, Hubei (CN)

(\*\*) Term: **15 Years**

(21) Appl. No.: **29/886,247**

(22) Filed: **Mar. 7, 2023**

(51) **LOC (14) Cl.** ..... **30-04**

(52) **U.S. Cl.**  
USPC ..... **D30/153**

(58) **Field of Classification Search**  
USPC ..... D30/144-145, 151-153, 160, 199;  
D10/72; D26/38

CPC ..... A01K 27/00; A01K 27/003; A01K 27/004  
See application file for complete search history.

(56) **References Cited**

**U.S. PATENT DOCUMENTS**

- D235,026 S \* 4/1975 Bogdahn ..... D30/153
- 4,856,726 A \* 8/1989 Kang ..... G01B 3/1005  
242/384.7
- D351,264 S \* 10/1994 Stout ..... D30/153
- 5,377,626 A \* 1/1995 Kilsby ..... A01K 27/004  
119/796
- D379,689 S \* 6/1997 Levine ..... D30/153
- D392,429 S \* 3/1998 Plewa ..... D30/153
- D402,426 S \* 12/1998 Levine ..... D30/153
- 5,887,550 A \* 3/1999 Levine ..... F21V 33/008  
119/796
- D422,227 S \* 4/2000 Lin ..... D10/72
- D428,172 S \* 7/2000 Yuen ..... D26/38
- 6,148,773 A \* 11/2000 Bogdahn ..... B65H 75/44  
119/796
- D438,315 S \* 2/2001 Yuen ..... D26/38
- D439,302 S \* 3/2001 Plewa ..... A01K 27/004  
D30/153
- D448,892 S \* 10/2001 Hans ..... A01K 27/004  
D30/153

- 6,314,917 B1 \* 11/2001 Ryan ..... A01K 27/006  
119/796
- D453,386 S \* 2/2002 Philipson ..... D26/38
- 6,925,967 B1 \* 8/2005 Woodruff ..... A01K 27/004  
119/796

(Continued)

**FOREIGN PATENT DOCUMENTS**

- CN 200430046332.0 \* 11/2004
- GB 5003153 \* 9/2016
- GB 6069906 \* 11/2021

**OTHER PUBLICATIONS**

Retractable Dog Leash, Pet Walking Leash with Anti-Slip Handle, dated to Oct. 22, 2020, amazon.com [online]. Retrieved Mar. 21, 2023 from internet <URL:https://www.amazon.com/dp/B08LMTJQC2?th=1> (Year: 2020).\*

(Continued)

*Primary Examiner* — Andrew T Nemeth

(74) *Attorney, Agent, or Firm* — Kunzler Bean & Adamson, PC; Michael Bartholomew

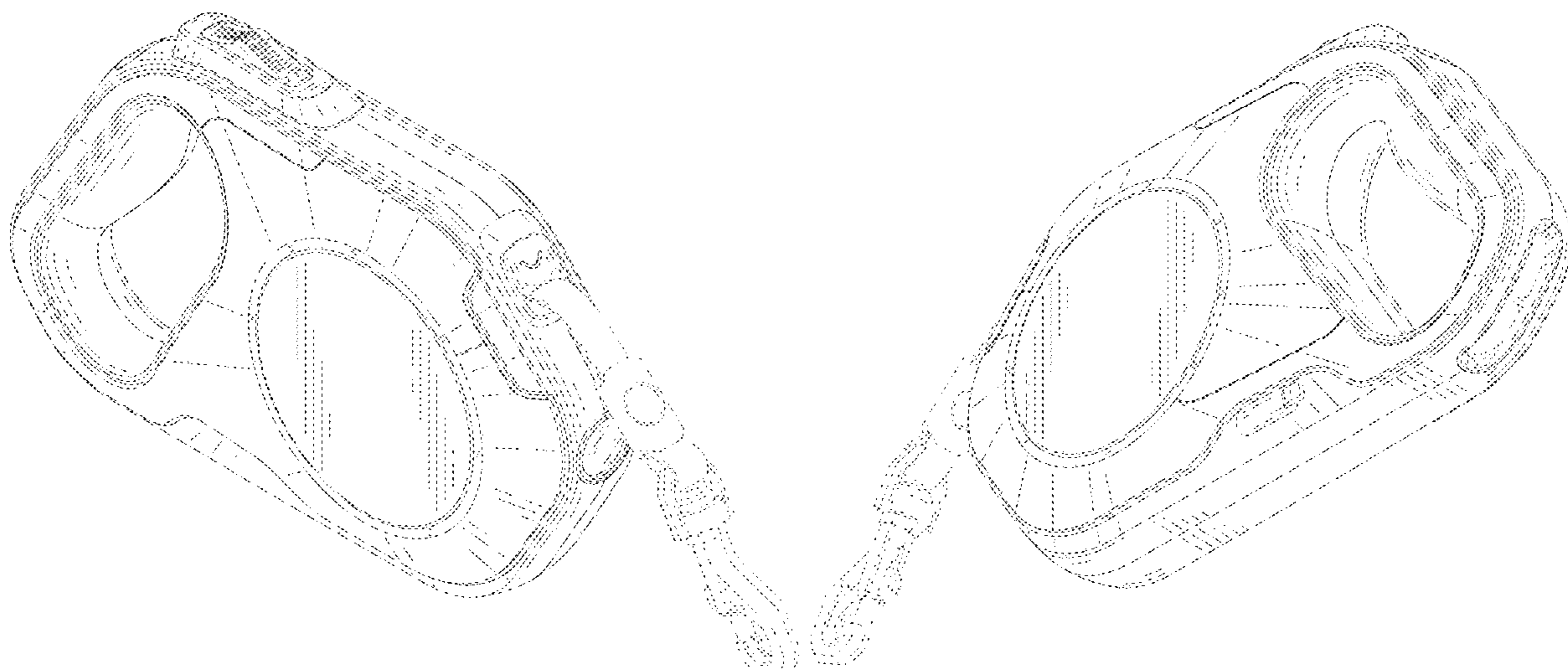
(57) **CLAIM**

The ornamental design for a pet lead, as shown and described.

**DESCRIPTION**

FIG. 1 is a front, right and top perspective view of a pet lead, showing my design.  
FIG. 2 is a rear, left and bottom perspective view thereof.  
FIG. 3 is a front elevation view thereof.  
FIG. 4 is a rear elevation view thereof.  
FIG. 5 is a left side elevation view thereof.  
FIG. 6 is a right side elevation view thereof.  
FIG. 7 is a top plan view thereof; and,  
FIG. 8 is a bottom plan view thereof.  
The broken lines depict portions of the pet lead that form no part of the claimed design.

**1 Claim, 8 Drawing Sheets**



(56)

References Cited

U.S. PATENT DOCUMENTS

D519,246 S \* 4/2006 Plewa ..... A01K 27/004  
D30/153  
D523,575 S \* 6/2006 Bhavnani ..... D26/38  
7,131,401 B2 \* 11/2006 Huff ..... A01K 27/004  
119/796  
D573,314 S \* 7/2008 Plewa ..... D30/153  
D595,882 S \* 7/2009 Dupps ..... D30/153  
D610,752 S \* 2/2010 Roediger ..... D30/153  
D622,454 S \* 8/2010 Levy ..... D30/153  
D632,852 S \* 2/2011 Kaneko ..... D30/153  
D638,998 S \* 5/2011 Kaneko ..... D30/153  
D638,999 S \* 5/2011 Kaneko ..... D30/153  
D640,426 S \* 6/2011 Okumura ..... D30/153  
D642,748 S \* 8/2011 Merlin ..... D30/153  
D643,161 S \* 8/2011 Leedom ..... D30/153  
D651,366 S \* 12/2011 Fisher ..... D30/153  
D651,768 S \* 1/2012 Bogdahn ..... D30/153  
D711,054 S \* 8/2014 Schmidt ..... D30/153  
D729,990 S \* 5/2015 Taylor ..... D30/153  
9,232,772 B1 \* 1/2016 Majcen ..... A01K 7/00  
9,339,014 B1 \* 5/2016 Wettermann ..... A01K 27/004  
D765,319 S \* 8/2016 Chefetz ..... D30/153  
D770,693 S \* 11/2016 Zhu ..... D30/153  
D824,604 S \* 7/2018 Walter ..... D30/153  
D829,389 S \* 9/2018 Lan ..... D30/153  
D855,444 S \* 8/2019 Fung ..... D8/359  
D858,322 S \* 9/2019 Goldberg ..... D10/72  
D862,805 S \* 10/2019 Giambrone ..... D30/153  
D871,895 S \* 1/2020 Fung ..... D8/359  
D881,479 S \* 4/2020 Ma ..... D30/153  
D886,396 S \* 6/2020 Xu ..... D30/153  
D887,652 S \* 6/2020 Taylor ..... D30/153  
D890,448 S \* 7/2020 Cox ..... D30/153  
D925,841 S \* 7/2021 Zhou ..... D30/153  
D947,467 S \* 3/2022 Dai ..... D30/153  
D957,755 S \* 7/2022 Neal ..... D30/153  
D961,172 S \* 8/2022 Neal ..... D30/153  
D963,261 S \* 9/2022 Huang ..... D30/153  
D966,632 S \* 10/2022 Han ..... D30/153  
D968,723 S \* 11/2022 Xiao ..... D30/153  
D974,676 S \* 1/2023 Yan ..... D30/153  
2003/0145803 A1 \* 8/2003 Muller ..... A01K 27/004  
119/796  
2005/0011472 A1 \* 1/2005 Wuensche ..... A01K 27/004  
119/796  
2006/0118062 A1 \* 6/2006 Edwards ..... A01K 27/006  
119/796  
2006/0219182 A1 \* 10/2006 Rabello ..... A01K 27/006  
119/61.56

2006/0266300 A1 \* 11/2006 Perkitny ..... A01K 27/004  
119/713  
2008/0230015 A1 \* 9/2008 Bleshoy ..... A01K 27/004  
119/796  
2008/0257278 A1 \* 10/2008 Simpson ..... A01K 1/04  
119/781  
2009/0183691 A1 \* 7/2009 Hassan ..... A01K 27/006  
119/796  
2009/0229537 A1 \* 9/2009 Muelken ..... A01K 27/004  
119/792  
2009/0241854 A1 \* 10/2009 Hurwitz ..... A01K 27/006  
87/8  
2009/0277398 A1 \* 11/2009 Shi ..... A01K 27/004  
119/796  
2010/0043721 A1 \* 2/2010 Cigan ..... A01K 27/004  
119/796  
2010/0212601 A1 \* 8/2010 Hurwitz ..... A01K 27/006  
119/796  
2014/0033992 A1 \* 2/2014 Reed ..... A01K 27/001  
119/796  
2014/0076096 A1 \* 3/2014 Shi ..... A01K 27/004  
74/520  
2015/0237832 A1 \* 8/2015 O'Brien ..... B65H 75/406  
119/796  
2016/0000044 A1 \* 1/2016 Shi ..... A01K 27/004  
242/396.7  
2016/0120152 A1 \* 5/2016 Zhu ..... A01K 27/004  
119/796  
2016/0317855 A1 \* 11/2016 Rolls ..... A01K 27/004  
2016/0345541 A1 \* 12/2016 Lai ..... A01K 27/004  
2017/0079245 A1 \* 3/2017 Omelchenko ..... A01K 27/004  
2017/0142935 A1 \* 5/2017 Max ..... A01K 27/004  
2018/0125036 A1 \* 5/2018 Pang ..... G10K 3/00  
2018/0206454 A1 \* 7/2018 Brown ..... B65H 75/4428  
2018/0317456 A1 \* 11/2018 Bogdahn ..... B65H 75/4418  
2018/0338474 A1 \* 11/2018 Bogdahn ..... B65H 75/4431  
2019/0387716 A1 \* 12/2019 Chen ..... A01K 27/004  
2021/0045356 A1 \* 2/2021 Zhang ..... B65H 75/4442  
2021/0368741 A1 \* 12/2021 Duffin ..... A01K 27/004  
2022/0232804 A1 \* 7/2022 Shi ..... A01K 27/006

OTHER PUBLICATIONS

Kapu Pet Retractable Dog Leash with Flashlight, dated to Mar. 8, 2022, amazon.com [online]. Retrieved Mar. 21, 2023 from internet <URL:https://www.amazon.com/dp/B09V2SG46Y?th=1> (Year: 2022).\*

\* cited by examiner

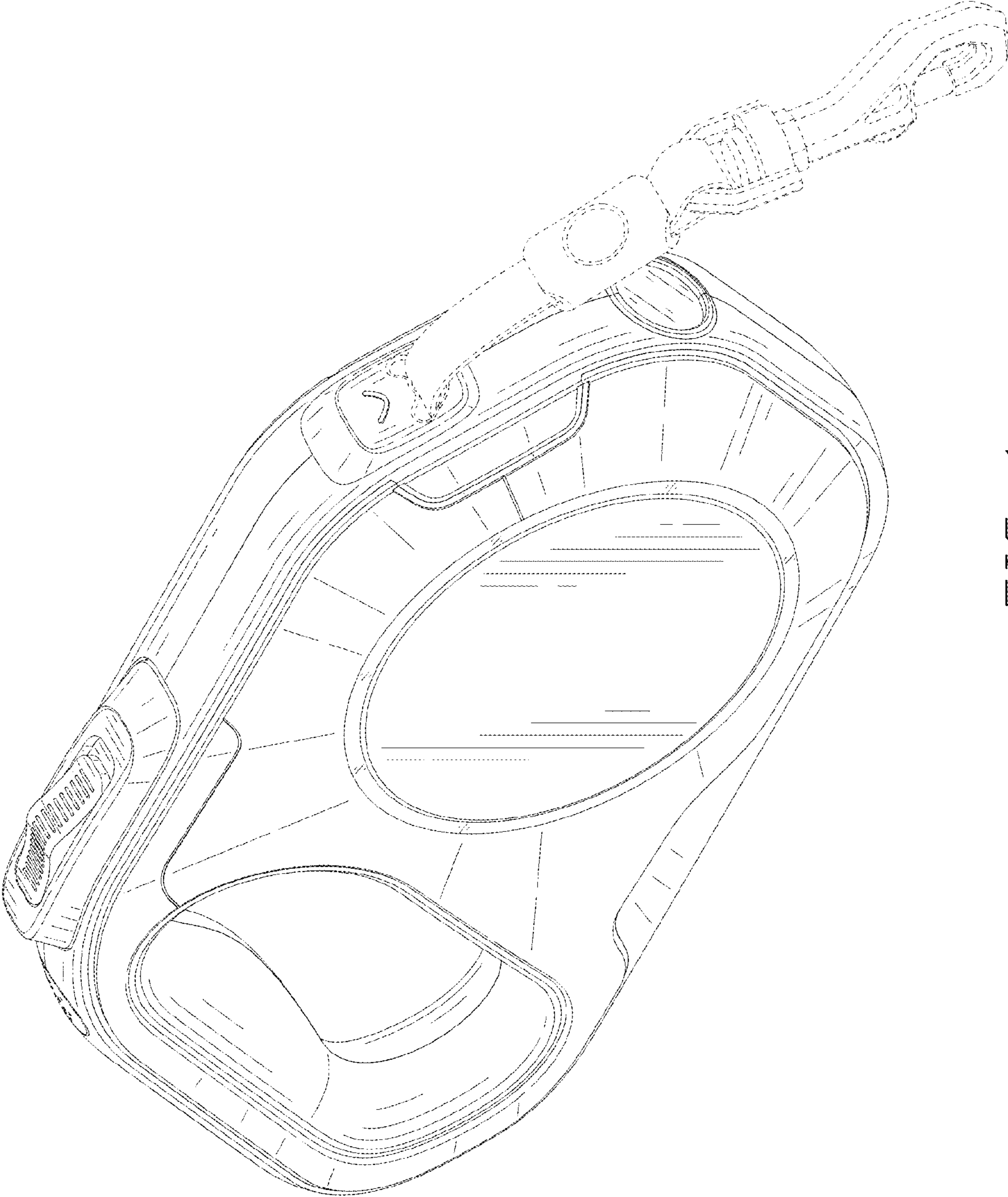


FIG. 1

Attorney Docket No. US007993W

2 / 8

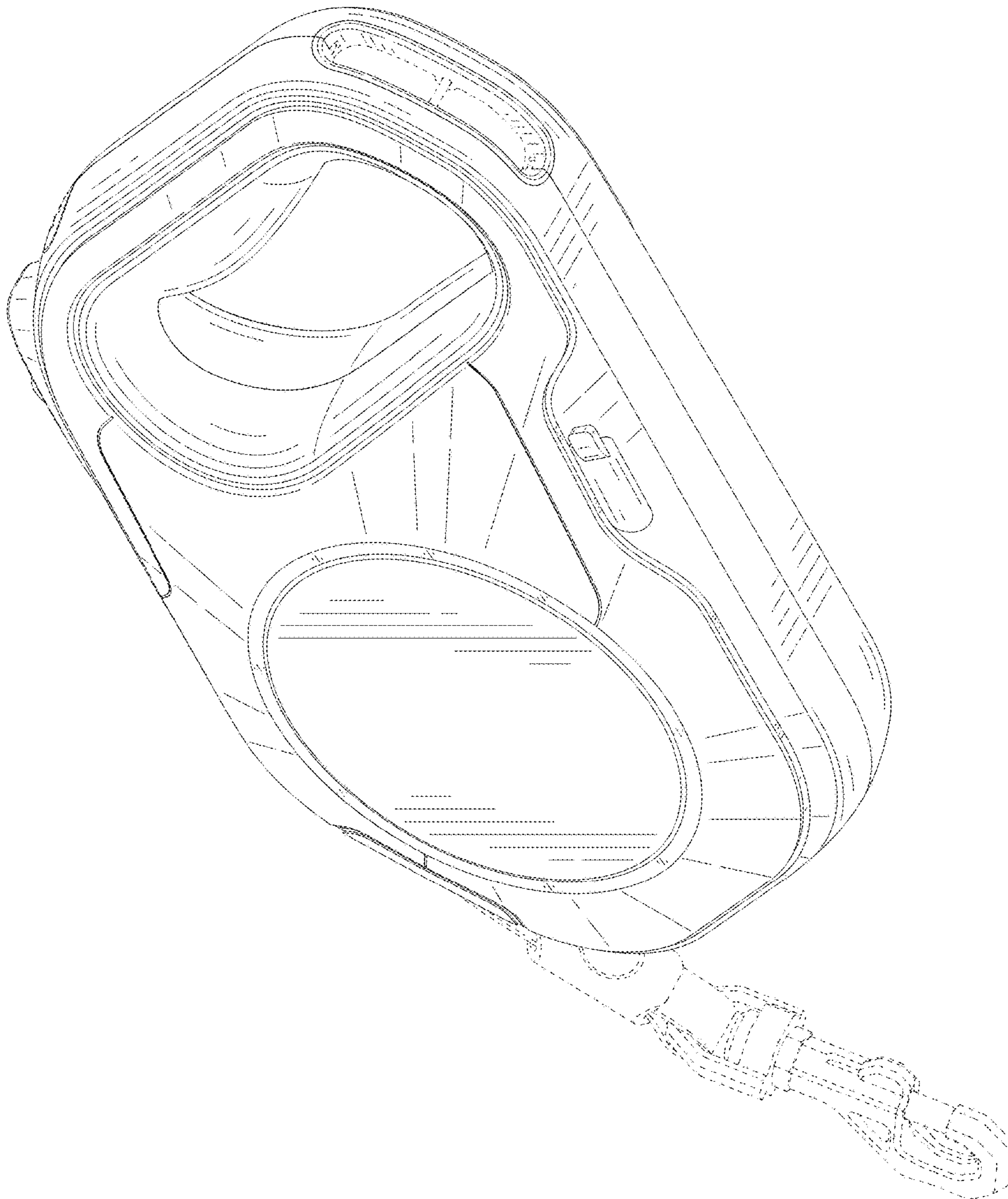


FIG. 2

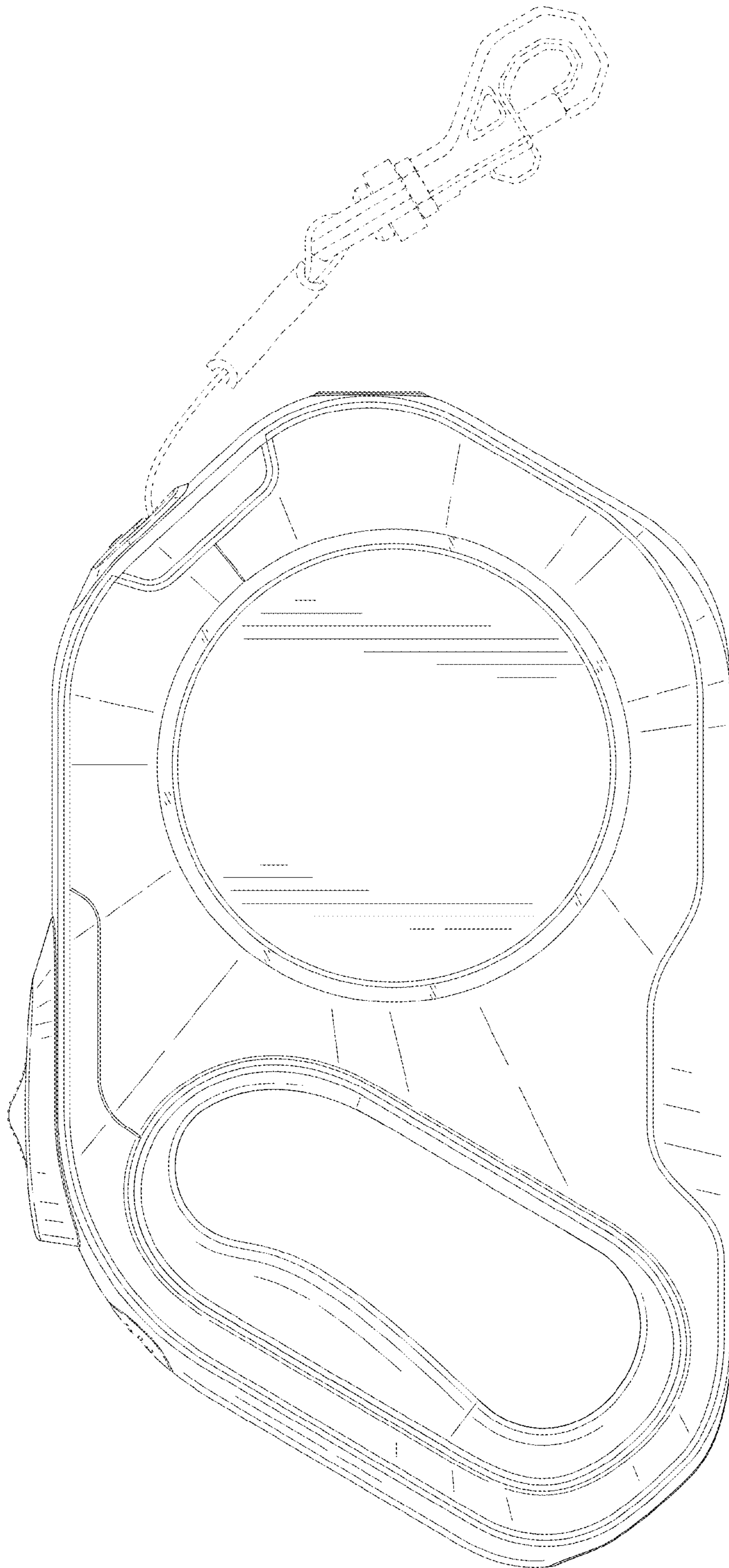


FIG. 3

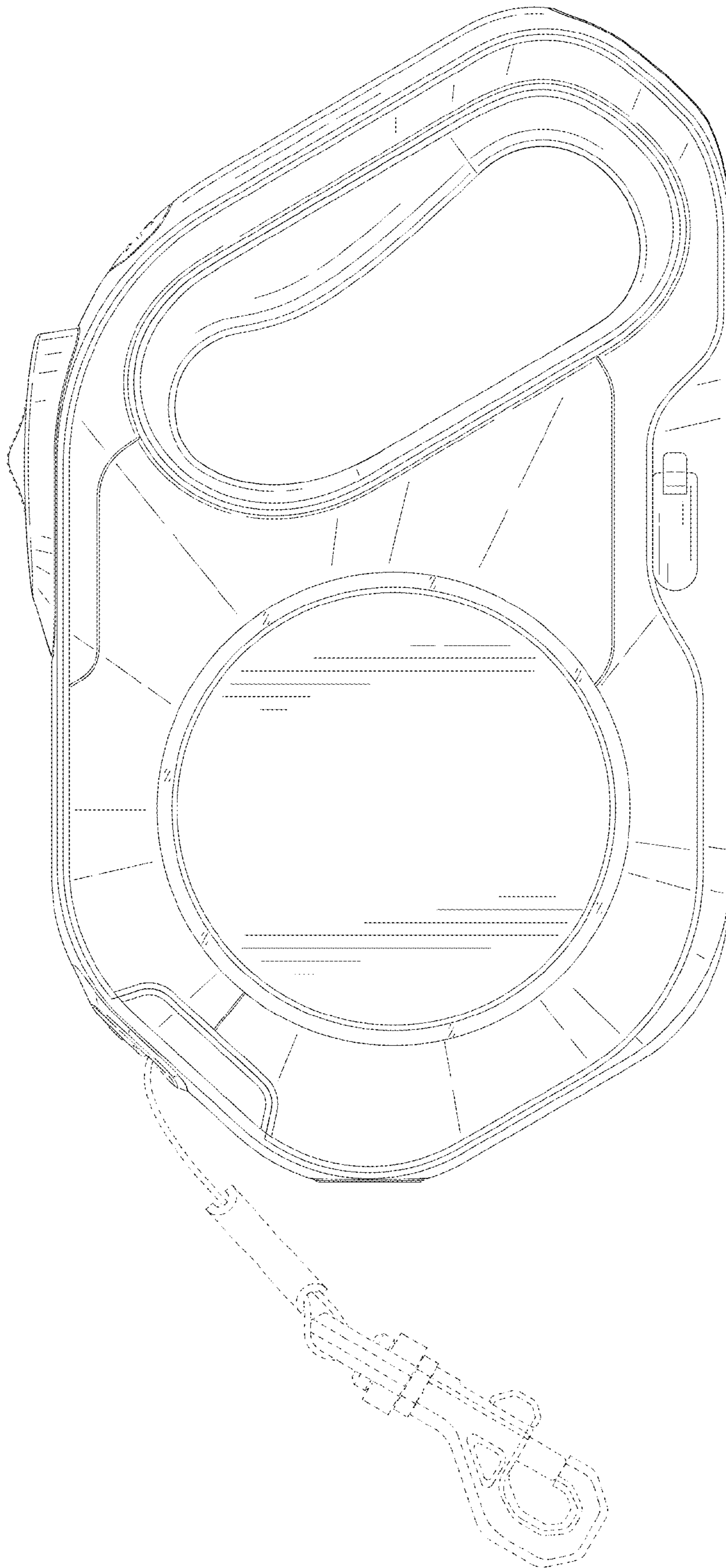


FIG. 4

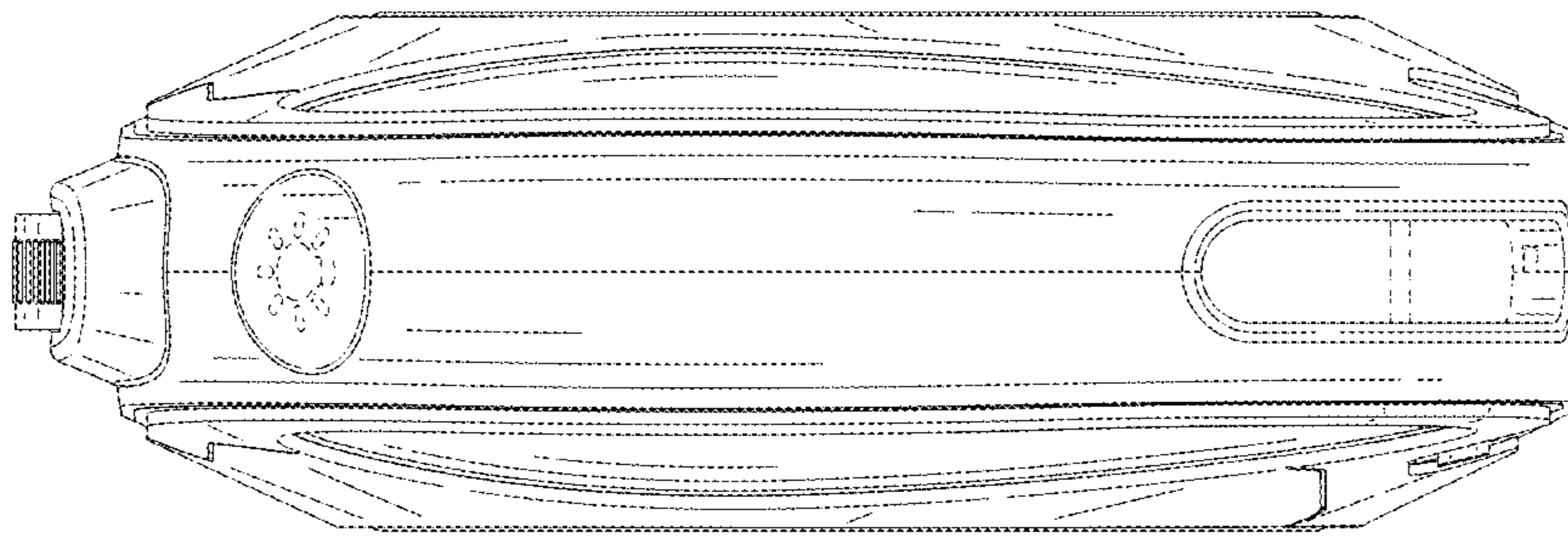


FIG. 5

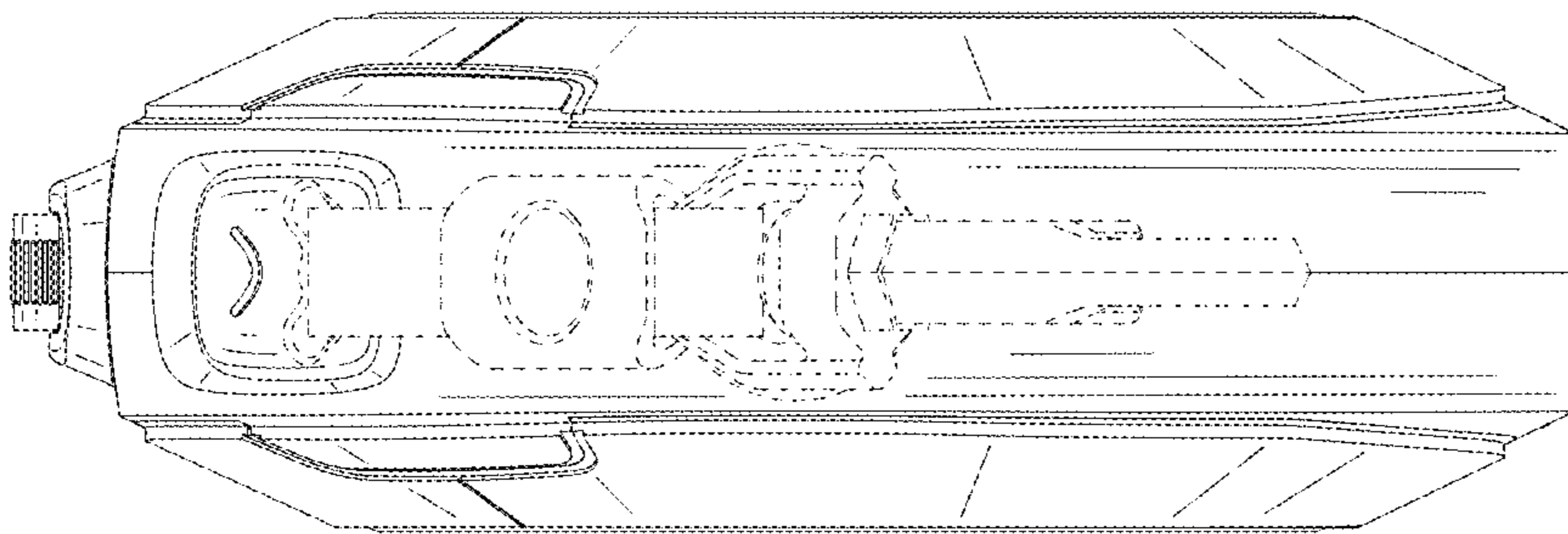


FIG. 6



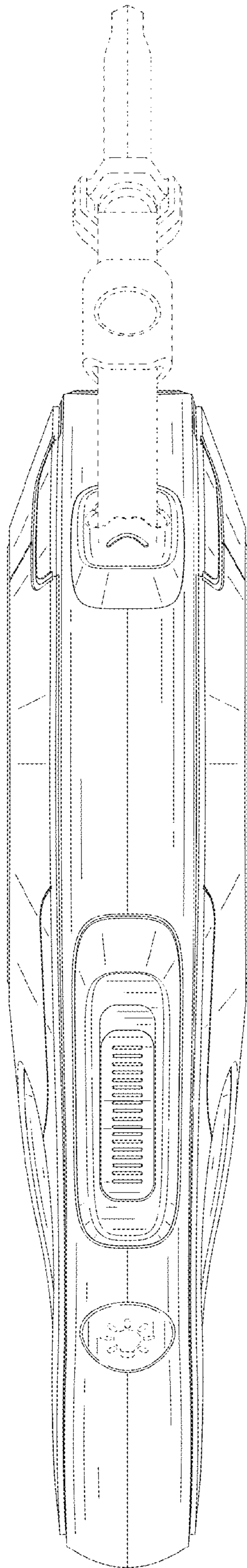


FIG. 7

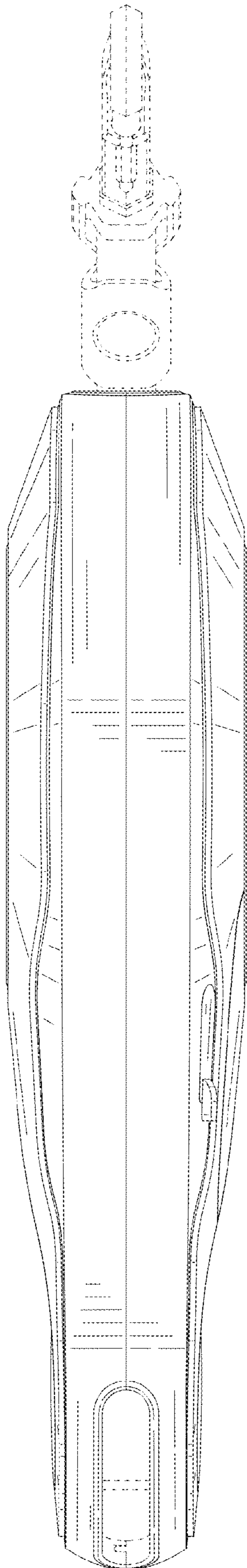


FIG. 8