



US00D986512S

(12) **United States Design Patent** (10) **Patent No.:** **US D986,512 S**
Douglas et al. (45) **Date of Patent:** **** May 16, 2023**

(54) **PET BOUNDARY COLLAR RECEIVER**

D966,633 S * 10/2022 Jia D10/104.1
D972,236 S * 12/2022 Liang D10/104.1
2007/0209604 A1* 9/2007 Groh A01K 15/021
119/858

(71) Applicant: **Radio Systems Corporation,**
Knoxville, TN (US)

(Continued)

(72) Inventors: **Darrell Douglas,** Knoxville, TN (US);
Jonathan L Cornwell, Jr., Knoxville,
TN (US); **John Spangler,** Knoxville,
TN (US); **Robert A Nytko,** Knoxville,
TN (US)

FOREIGN PATENT DOCUMENTS

CA 174826 * 5/2017
CN 304232373 * 12/2016
CN 305196197 * 9/2018

(Continued)

(73) Assignee: **Radio Systems Corporation,**
Knoxville, TN (US)

OTHER PUBLICATIONS

(**) Term: **15 Years**

TTPet, Wired Electric Dog Fence, Date first available Jan. 16, 2020,
[online]retrieved Dec. 8, 2022, available from <https://www.amazon.com/DP/B083XZ5BP6> (Year: 2020).*

(21) Appl. No.: **29/770,882**

(Continued)

(22) Filed: **Feb. 17, 2021**

(51) **LOC (14) Cl.** **10-05**

(52) **U.S. Cl.**
USPC **D10/104.1; D30/152**

(58) **Field of Classification Search**
USPC D10/104.1, 104.2; D14/358, 155, 191,
D14/192; D30/199, 144, 145, 151, 152,
D30/155

CPC .. A01K 27/005; A01K 27/009; A01K 15/021;
A01K 15/023; G01S 13/882; G01S
5/0295; H04W 4/021; H04W 4/33

See application file for complete search history.

Primary Examiner — Keli L Hill

Assistant Examiner — Sara S Sahnneh

(74) *Attorney, Agent, or Firm* — Baker, Donelson,
Bearman, Caldwell & Berkowitz, PC

(57) **CLAIM**

The ornamental design for a pet boundary collar receiver, as
shown and described.

DESCRIPTION

FIG. 1 is a perspective view of a pet boundary collar
receiver.

FIG. 2 is a top view thereof.

FIG. 3 is a bottom view thereof.

FIG. 4 is a front view thereof.

FIG. 5 is a rear view thereof.

FIG. 6 is a left view thereof; and,

FIG. 7 is a right view thereof.

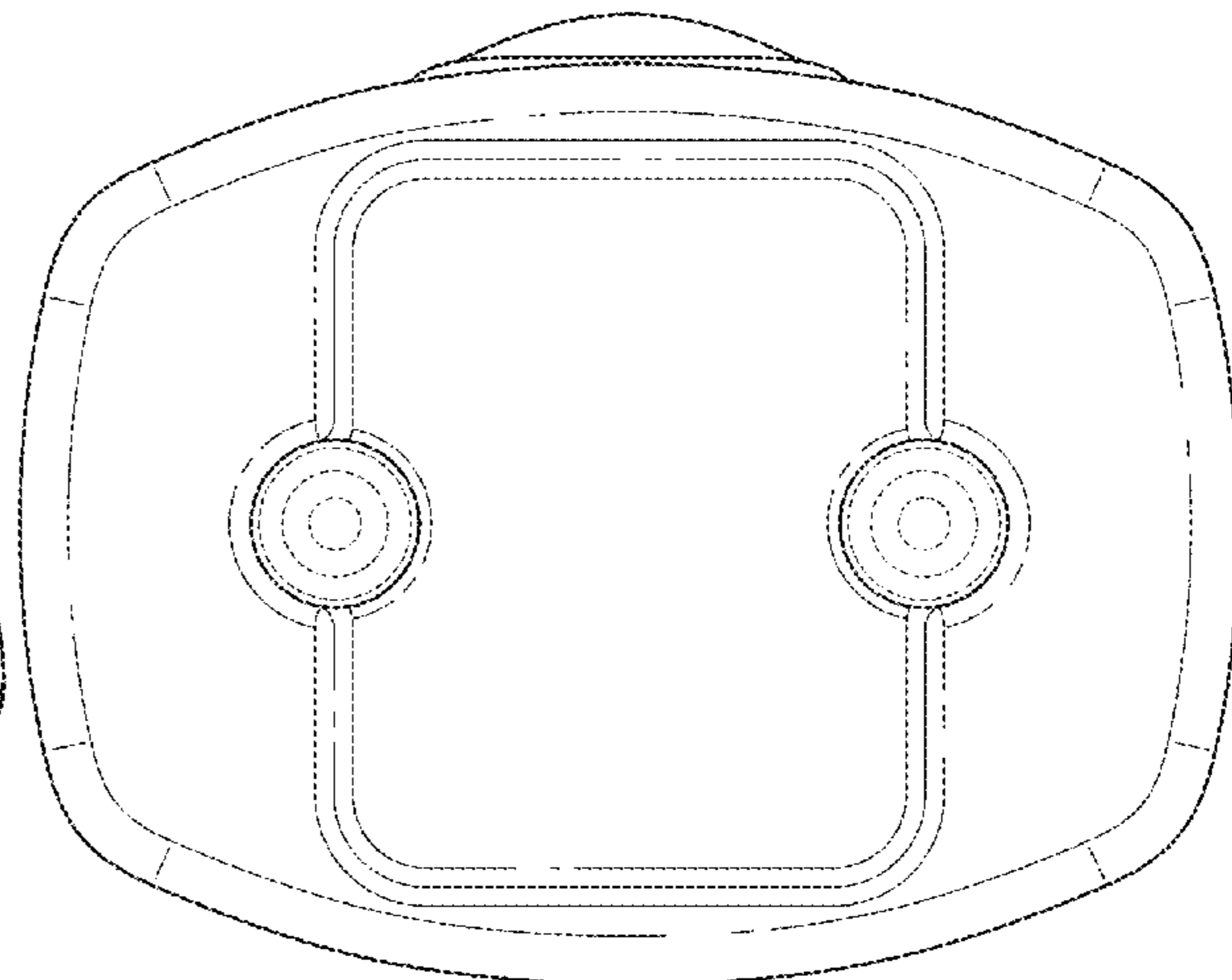
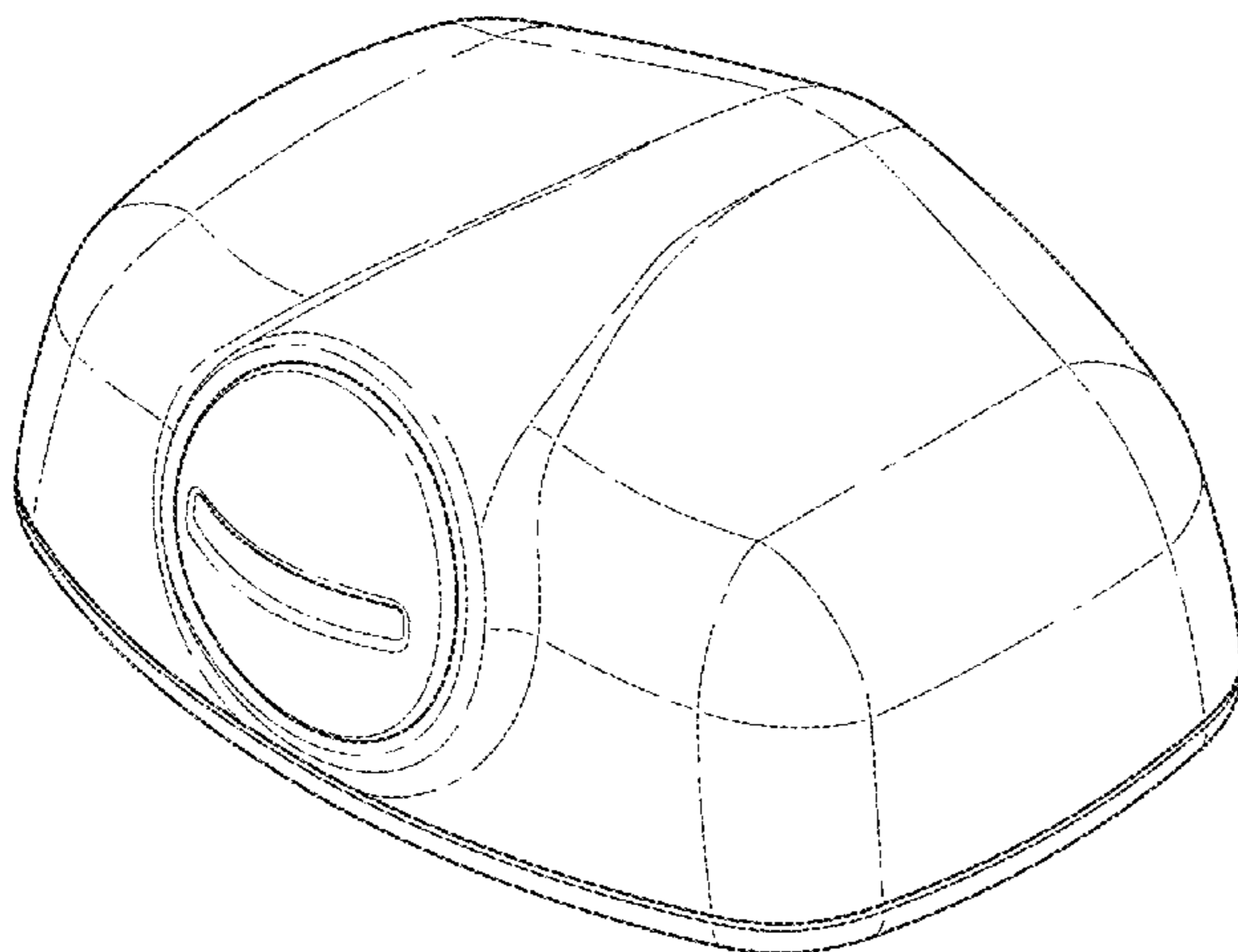
The broken lines illustrate portions of the pet boundary
collar receiver that form no part of the claimed design.

(56) **References Cited**

U.S. PATENT DOCUMENTS

D816,918 S * 5/2018 Li D30/152
D829,120 S * 9/2018 Mitchell D10/104.1
D884,994 S * 5/2020 Ni D10/104.1
D899,012 S * 10/2020 Zinn D30/152
D919,201 S * 5/2021 Wang D10/104.1
D926,396 S * 7/2021 Jia D10/104.1
D945,721 S * 3/2022 Luo D10/104.1
D950,170 S * 4/2022 Li D10/104.1
D964,667 S * 9/2022 Mo D10/104.1

1 Claim, 4 Drawing Sheets



(56)

References Cited

U.S. PATENT DOCUMENTS

2022/0151207 A1* 5/2022 Mott A01K 27/009

FOREIGN PATENT DOCUMENTS

CN	306503181	*	9/2020
CN	307029843	*	5/2021
CN	307638562	*	7/2022
EM	004239440-0002	*	9/2017

OTHER PUBLICATIONS

PetSafe Store, Rechargeable In-Ground Pet Fence, Date first available Mar. 29, 2013, [online] retrieved Dec. 8, 2022, available from <https://www.amazon.com/DP/B01FBC3LFC> (Year: 2013).*

Dog Care Store, Dog Training Collar with Remote, Date first available May 18, 2021, [online] retrieved Dec. 8, 2022, available from <https://www.amazon.com/DP/B08ZCSF55T> (Year: 2021).*

Free Spirit Store, Dog Bark Collar, Date first available Jul. 15, 2017, [online] retrieved Dec. 8, 2022, available from <https://www.amazon.com/DP/B073SS13L5> (Year: 2017).*

* cited by examiner

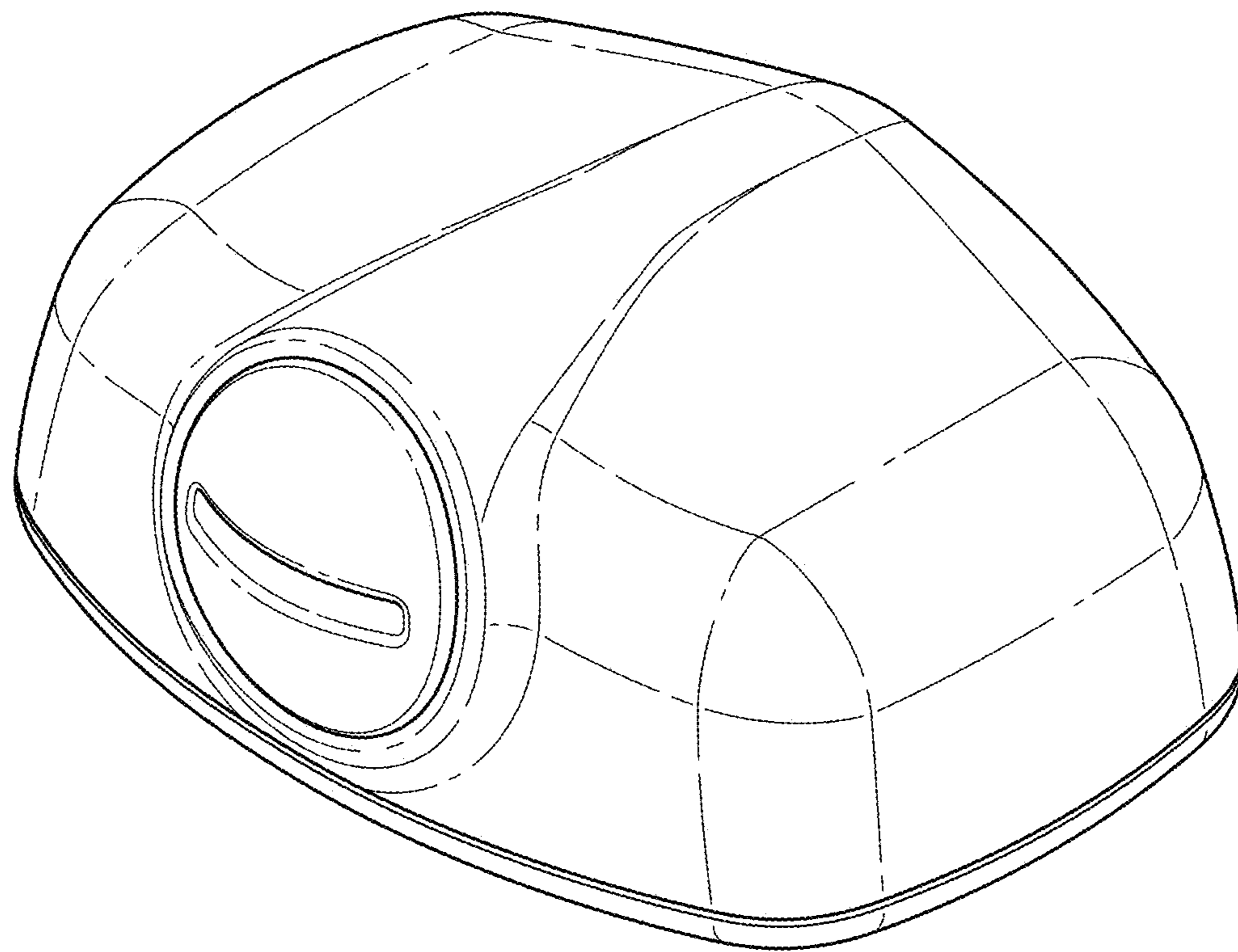


FIG. 1

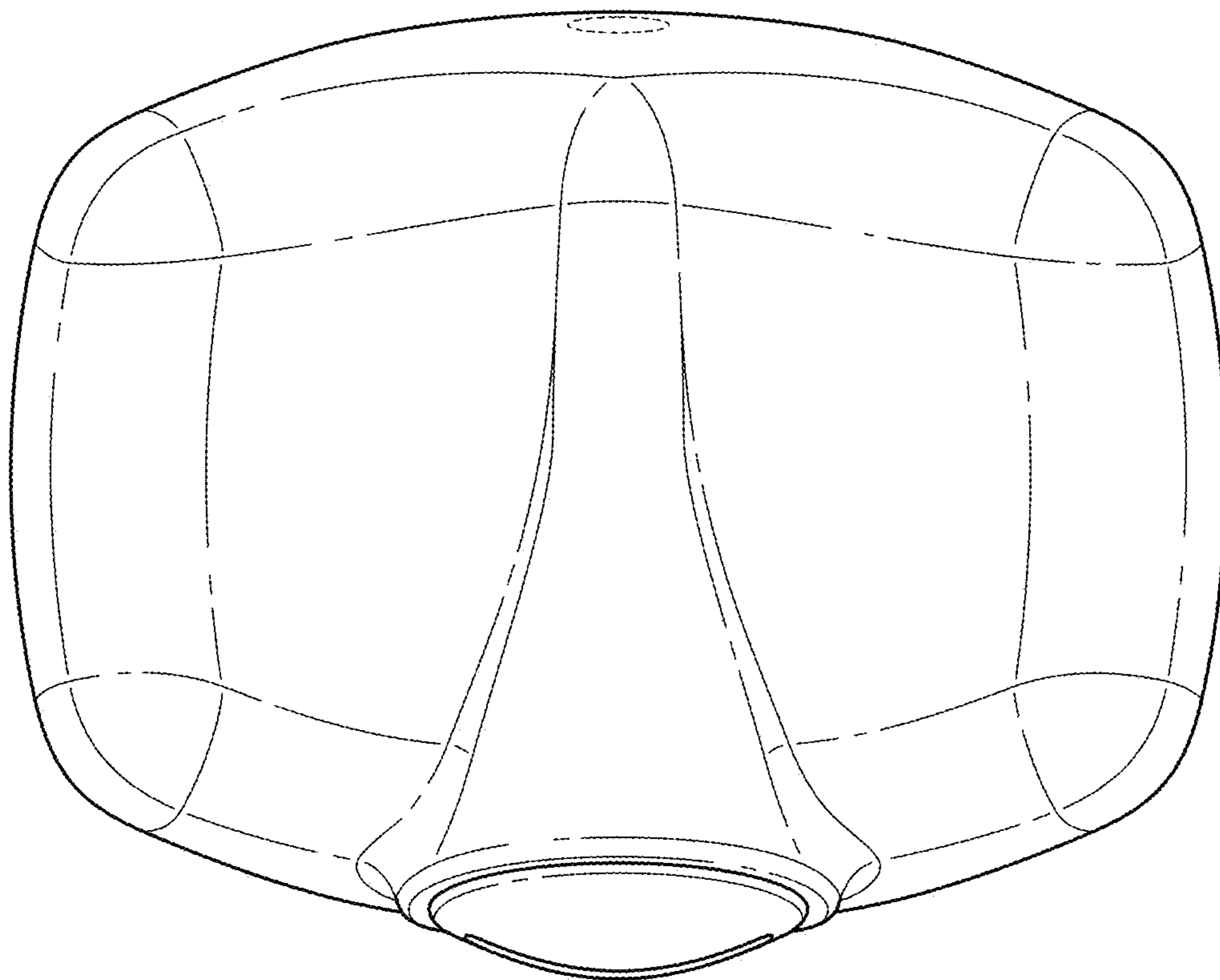


FIG. 2

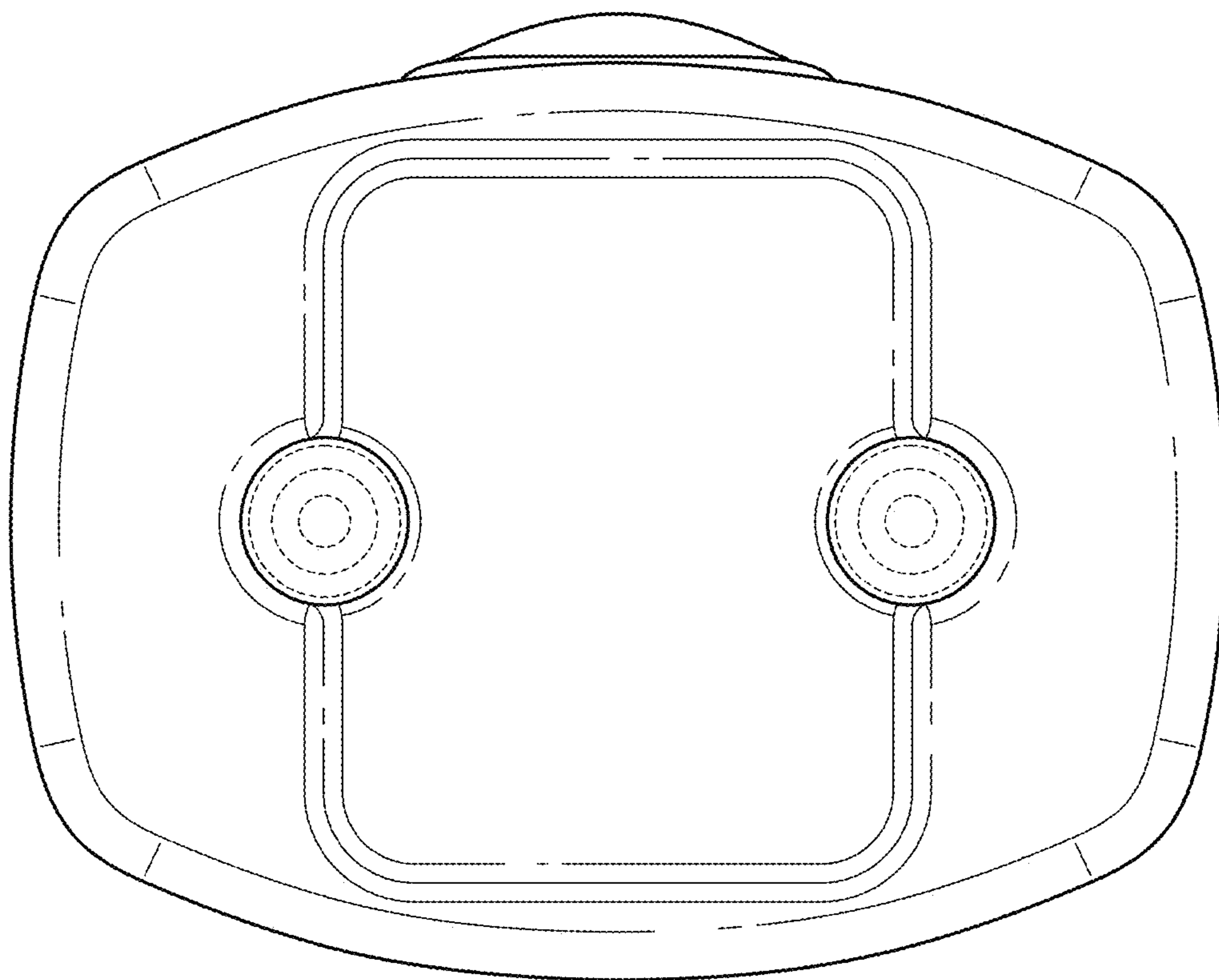


FIG. 3

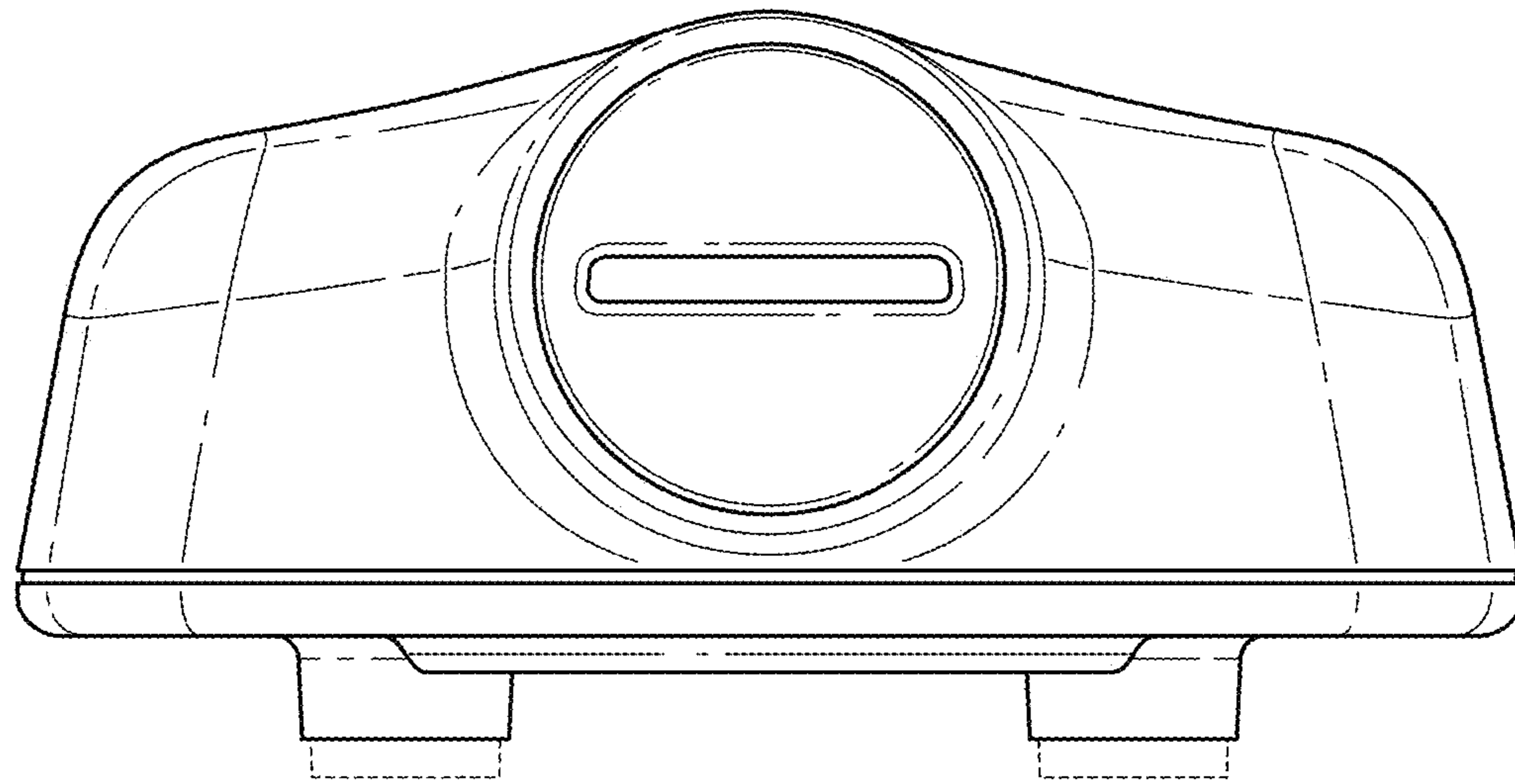


FIG. 4

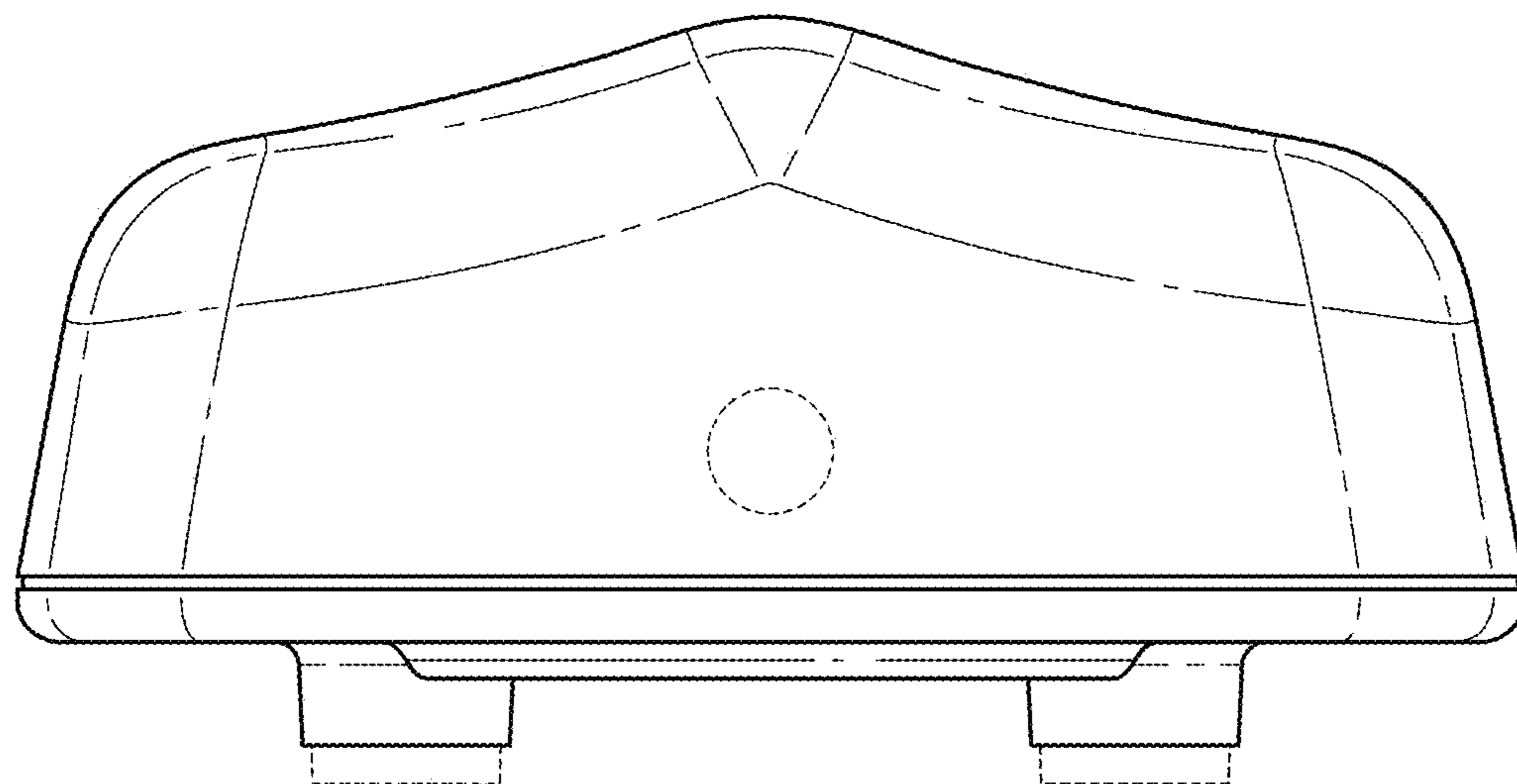


FIG. 5

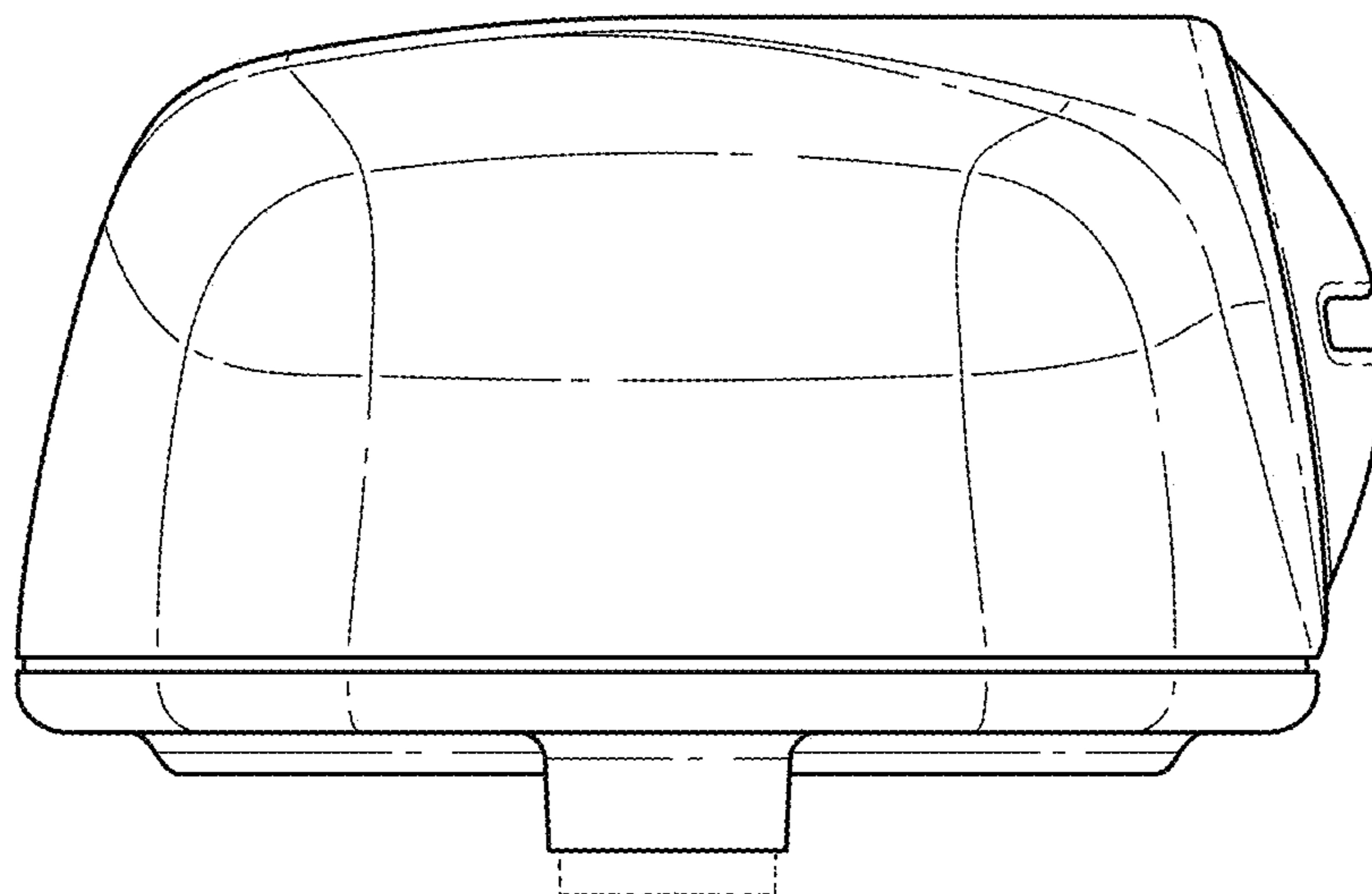


FIG. 6

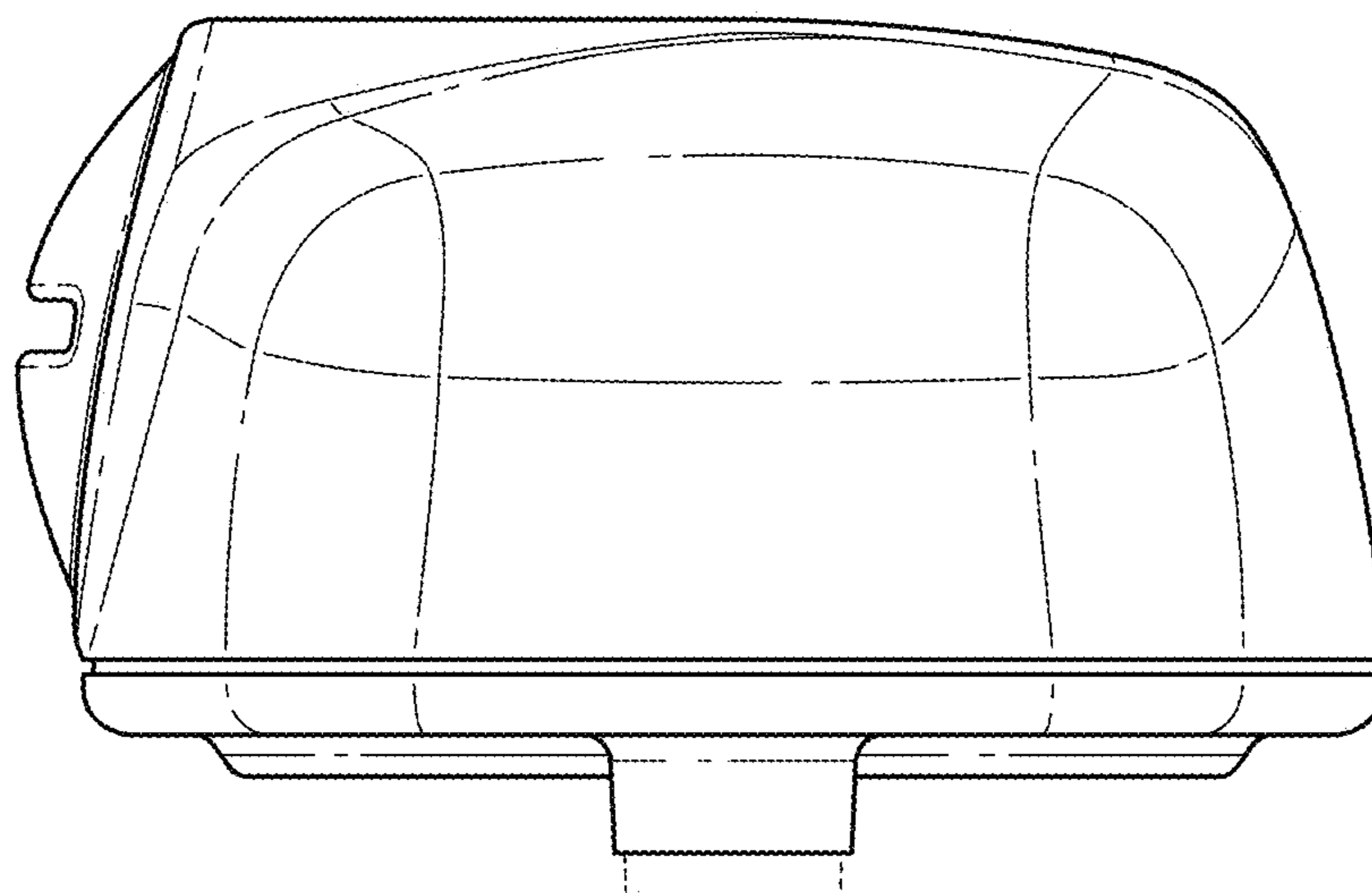


FIG. 7