



US00D986511S

(12) **United States Design Patent**
Huang

(10) **Patent No.:** **US D986,511 S**

(45) **Date of Patent:** **** May 16, 2023**

(54) **PET SOFA BED**

(71) Applicant: **ANJI CHENLIN FURNITURE CO., LTD**, Huzhou (CN)

(72) Inventor: **Lin Huang**, Huzhou (CN)

(**) Term: **15 Years**

(21) Appl. No.: **29/816,713**

(22) Filed: **Nov. 24, 2021**

(51) **LOC (14) Cl.** **30-06**

(52) **U.S. Cl.**
USPC **D30/118**

(58) **Field of Classification Search**
USPC D30/118-119, 160, 199, 158, 108;
D21/520; D6/601, 349, 595-597, 604,
D6/382

CPC A01K 1/00; A01K 1/0272; A01K 1/03;
A01K 1/0353; A01K 1/035

See application file for complete search history.

(56) **References Cited**

U.S. PATENT DOCUMENTS

1,820,283	A *	8/1931	Mills	A01K 1/0353
					5/110
D124,557	S *	1/1941	Richardson	D30/118
2,238,982	A *	4/1941	Norton	A01K 1/0353
					D30/118
D131,147	S *	1/1942	Richardson	D30/118
D338,744	S *	8/1993	Marlon	D30/118
D349,787	S *	8/1994	McMahon	D30/118
D351,687	S *	10/1994	McMahon	D30/118
6,338,314	B1 *	1/2002	Widrich	A01K 1/0353
					119/28.5
D542,478	S *	5/2007	Andriola	D30/118
D567,456	S *	4/2008	Martin	D30/118
D685,531	S *	7/2013	Wozniak	D6/601
D701,653	S *	3/2014	Martinez	D30/118

D703,877	S *	4/2014	Popkin	D30/118
8,919,284	B2 *	12/2014	Wolfe, Jr.	A01K 15/02
					119/28.5
D835,354	S *	12/2018	Stutey	D30/118
D899,009	S *	10/2020	Xu	D30/118
D928,419	S *	8/2021	Koskey, Jr.	D30/118
D929,667	S *	8/2021	Silber	D30/118

OTHER PUBLICATIONS

Enchanted Home Pet Coco Sofa, posted at chewy.com, earliest date available Nov. 14, 2020, [online], acquired on Mar. 9, 2023, Available on internet. url:https://www.chewy.com/enchanted-home-pet-coco-sofa-cat-dog/dp/261092 (Year: 2020).*

Dog Bed Large Size Pet Velvet Cushion Sofa, posted at amazon.com, earliest date available Nov. 2, 2022, [online], acquired on Mar. 10, 2023, Available on internet. url:https://www.amazon.com/Velvet-Cushion-Scandinavian-Elevated-38-58%C3%9726-77%C3%9711-02/dp/B0BQ6Y72Z1/ref (Year: 2022).*

* cited by examiner

Primary Examiner — Samantha Wood

Assistant Examiner — Aula Soroush

(74) *Attorney, Agent, or Firm* — Rumit Ranjit Kanakia

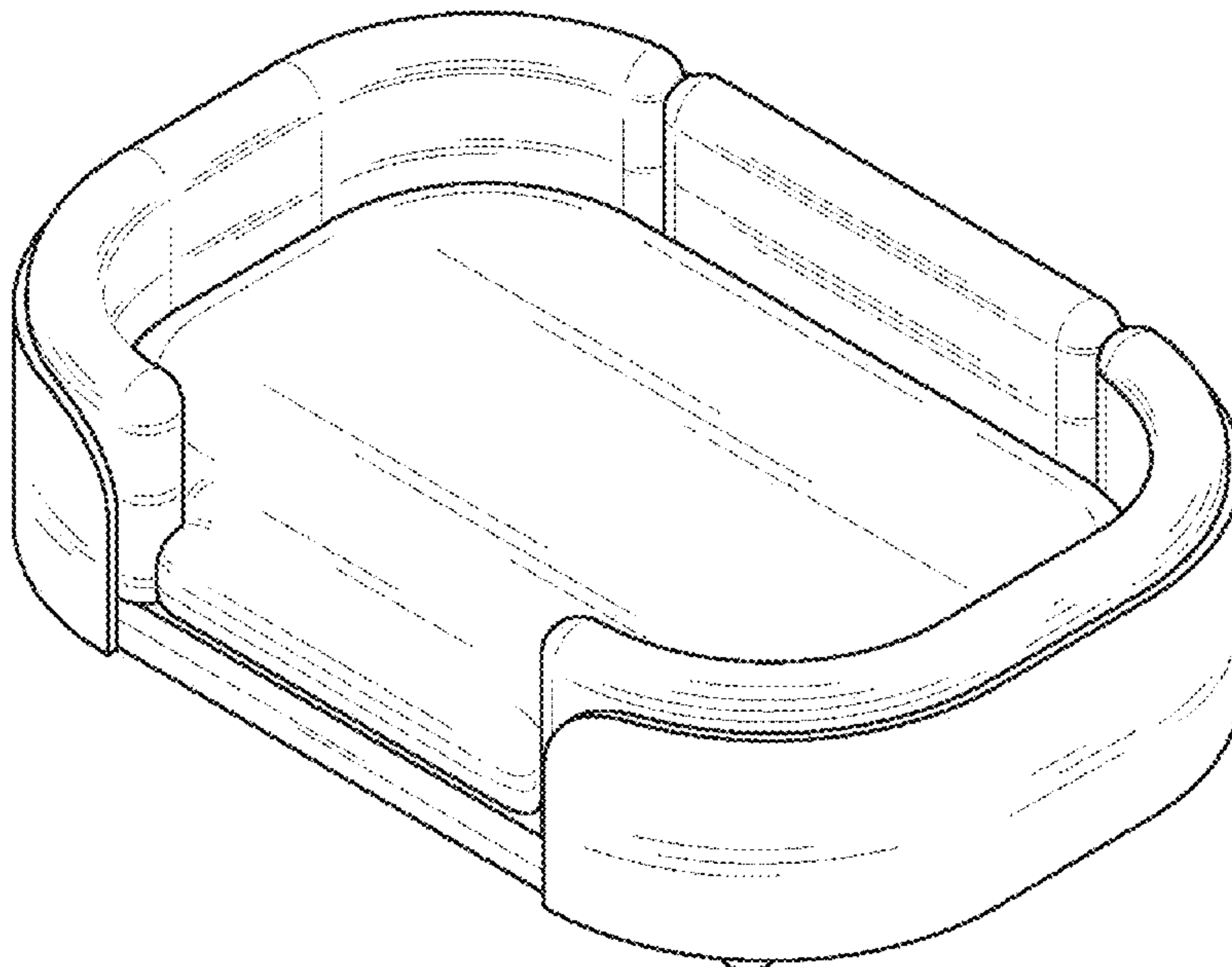
(57) **CLAIM**

The ornamental design for a pet sofa bed, as shown and described.

DESCRIPTION

FIG. 1 is a top front right side perspective view of a pet sofa bed showing my new design;
FIG. 2 is a bottom rear right side perspective view thereof;
FIG. 3 is a front elevational view thereof;
FIG. 4 is a rear elevational view thereof;
FIG. 5 is a right side view thereof;
FIG. 6 is a left side view thereof;
FIG. 7 is a top plan view thereof; and,
FIG. 8 is a bottom plan view thereof.

1 Claim, 8 Drawing Sheets



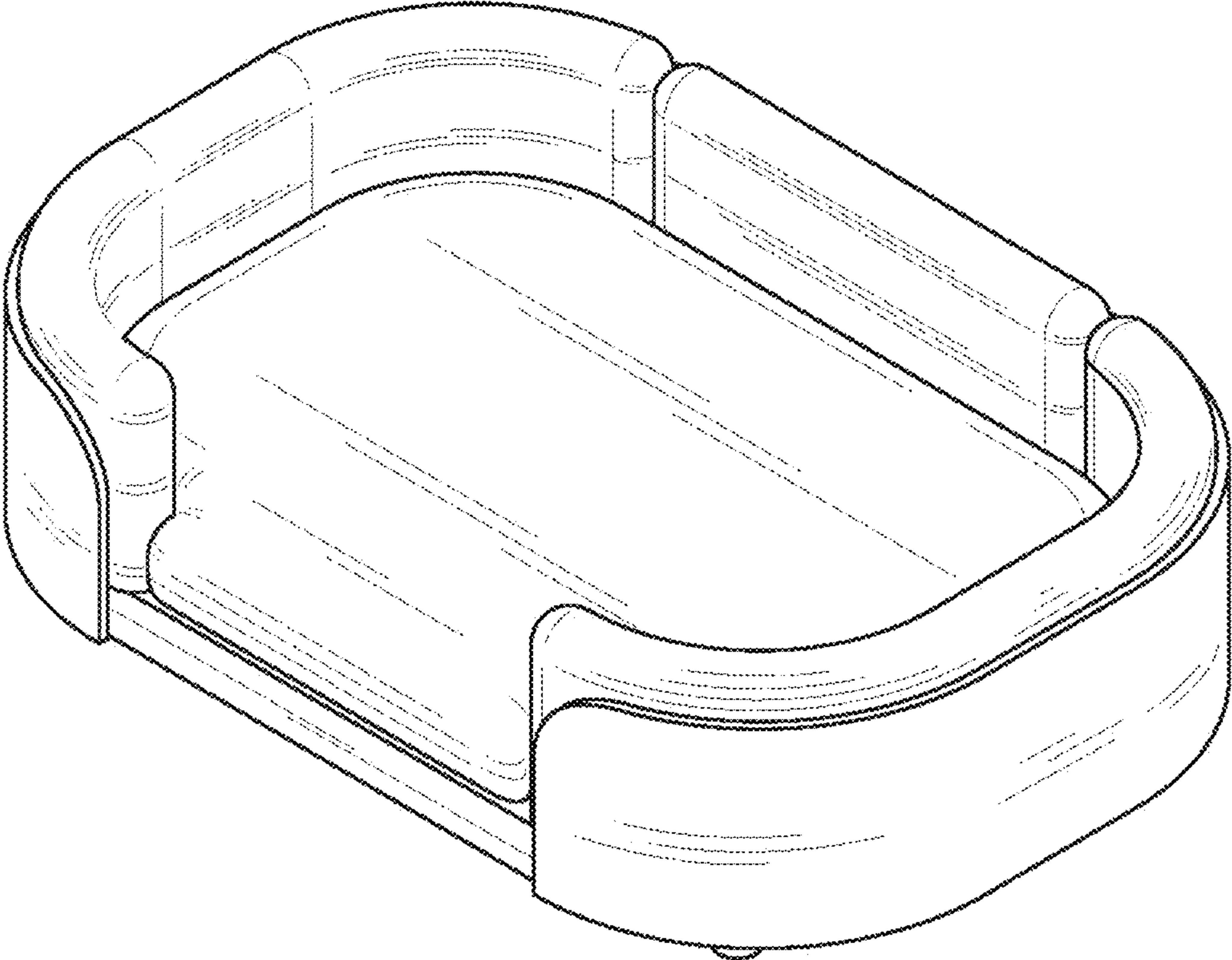


FIG.1

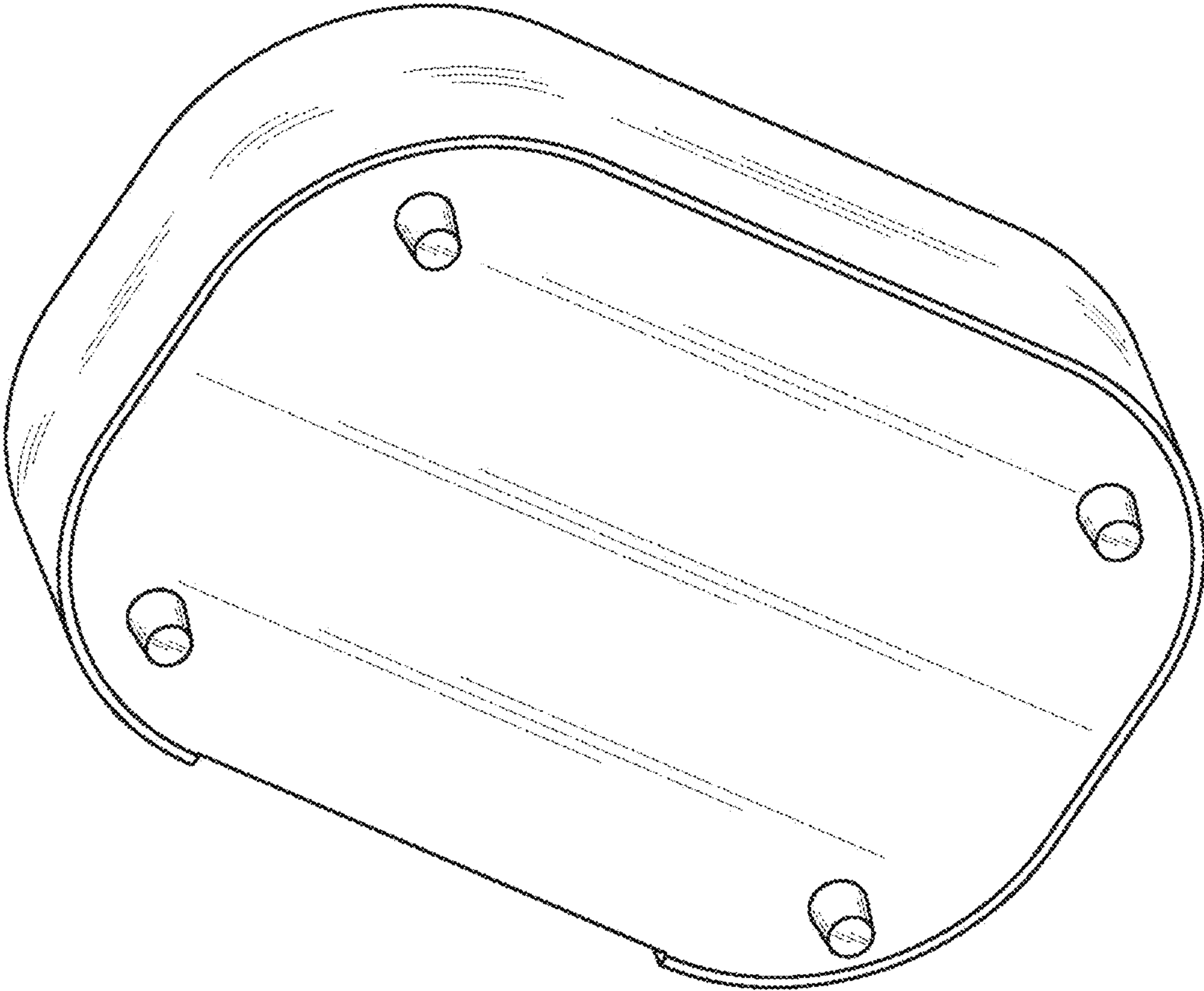


FIG.2

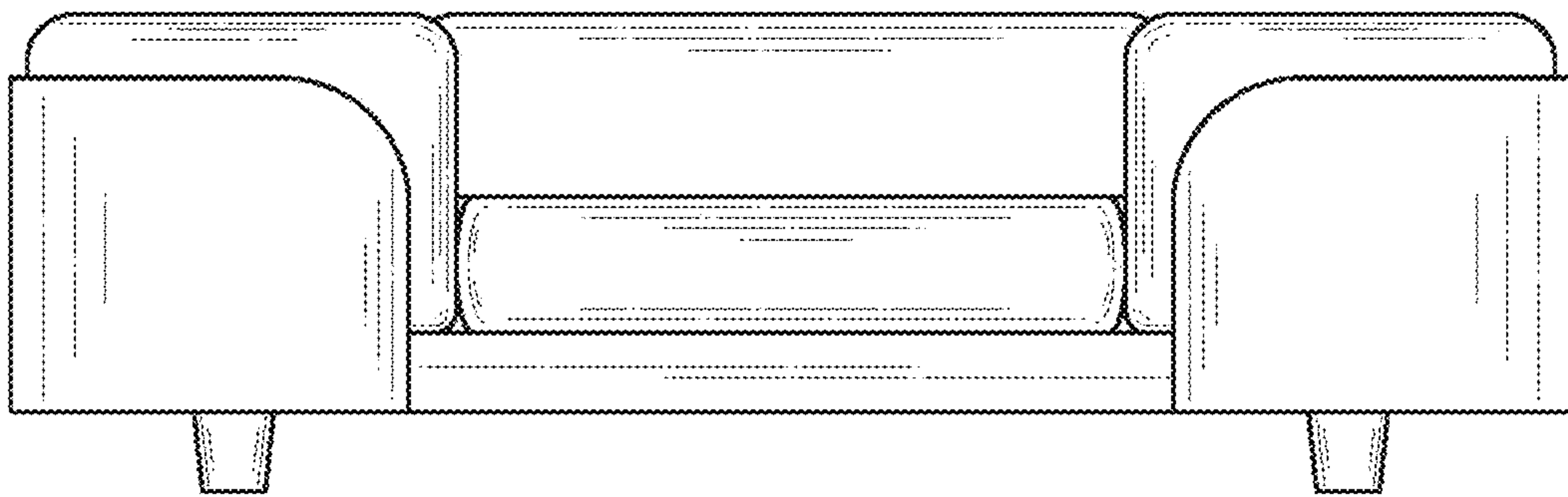


FIG. 3

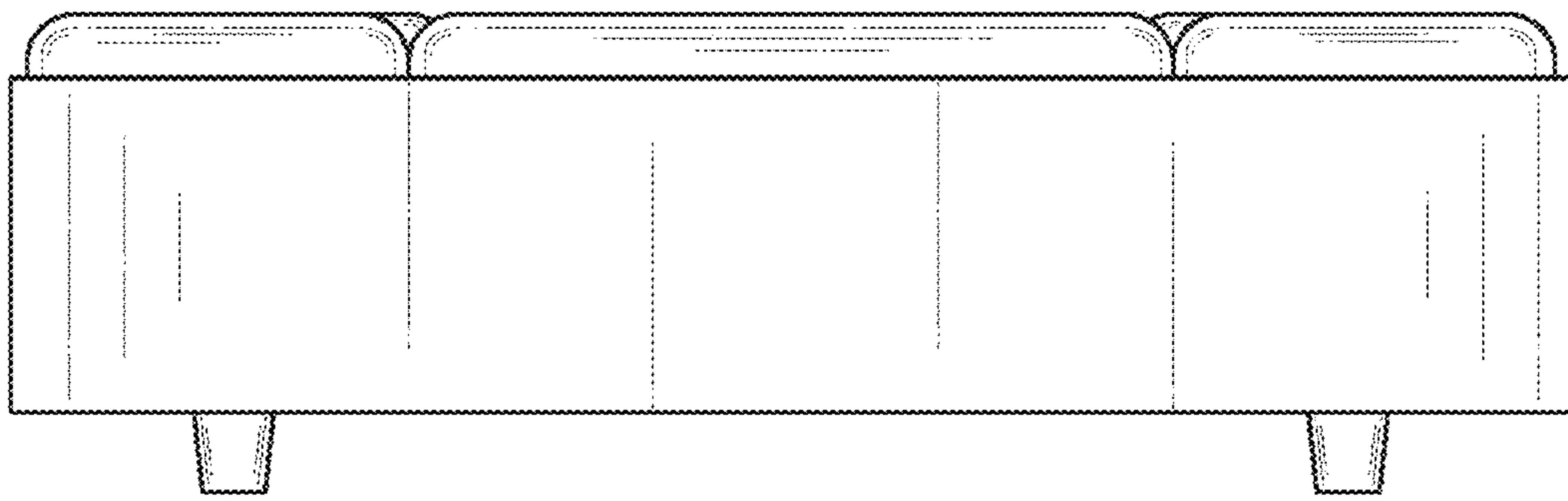


FIG.4

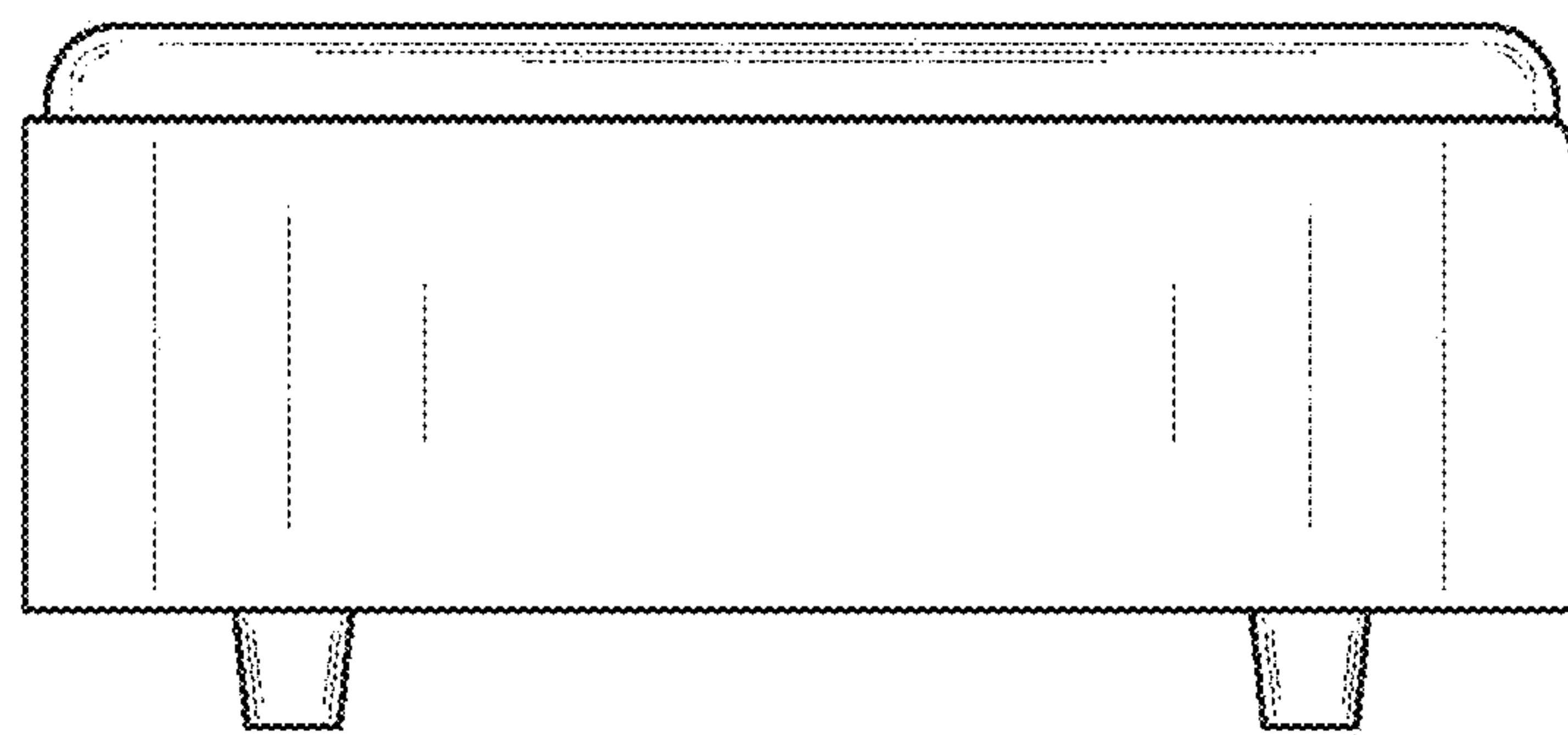


FIG.5

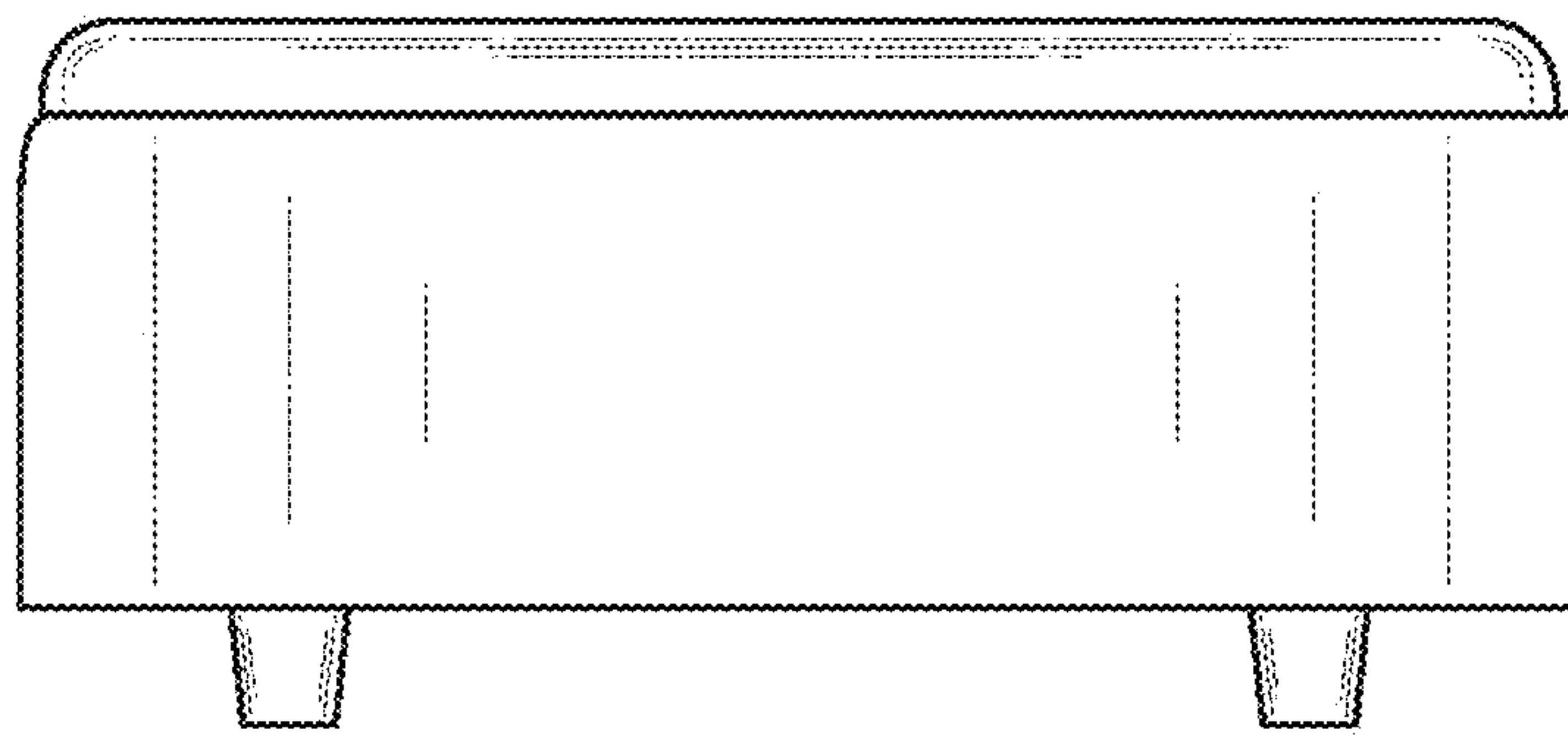


FIG.6

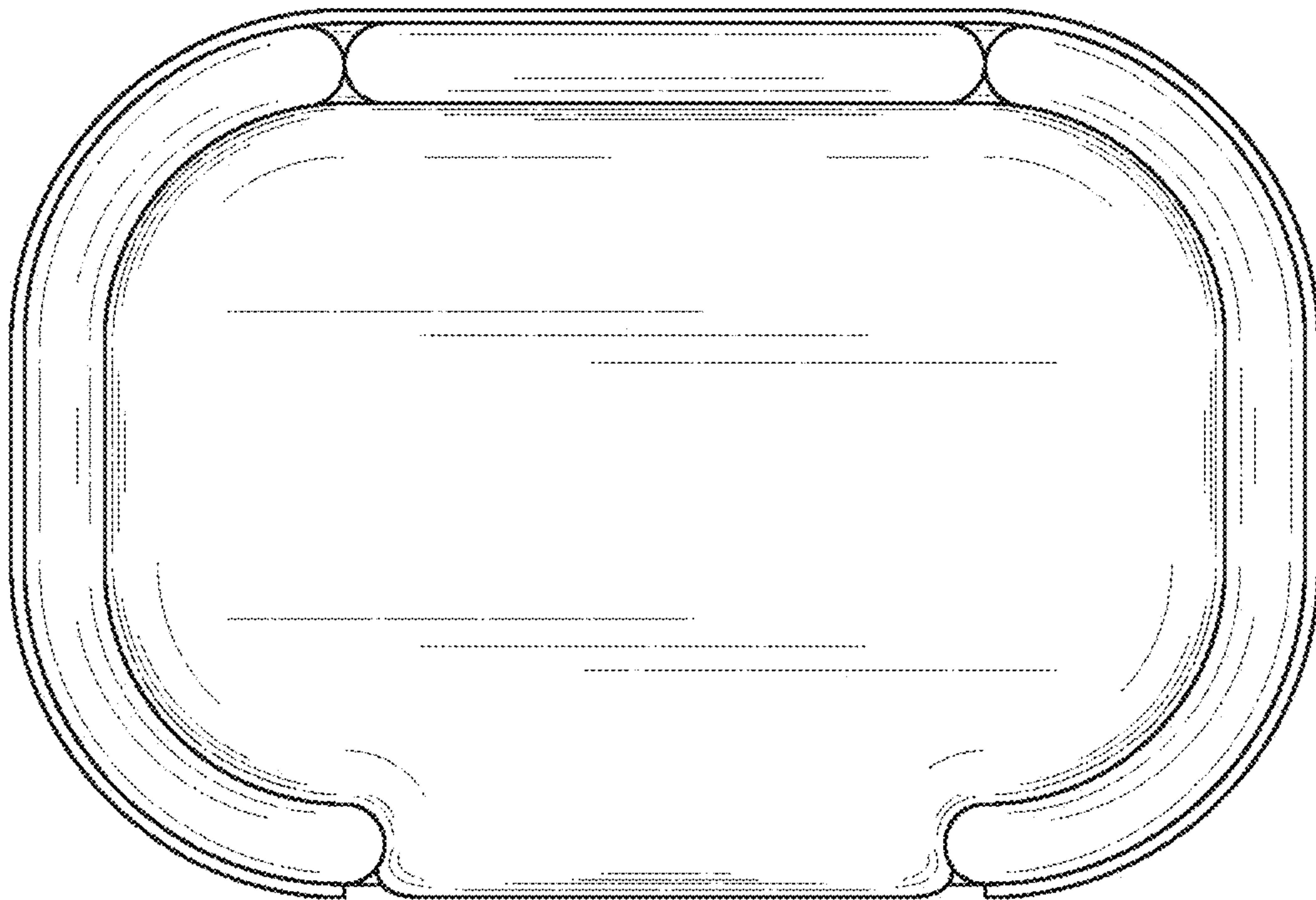


FIG. 7

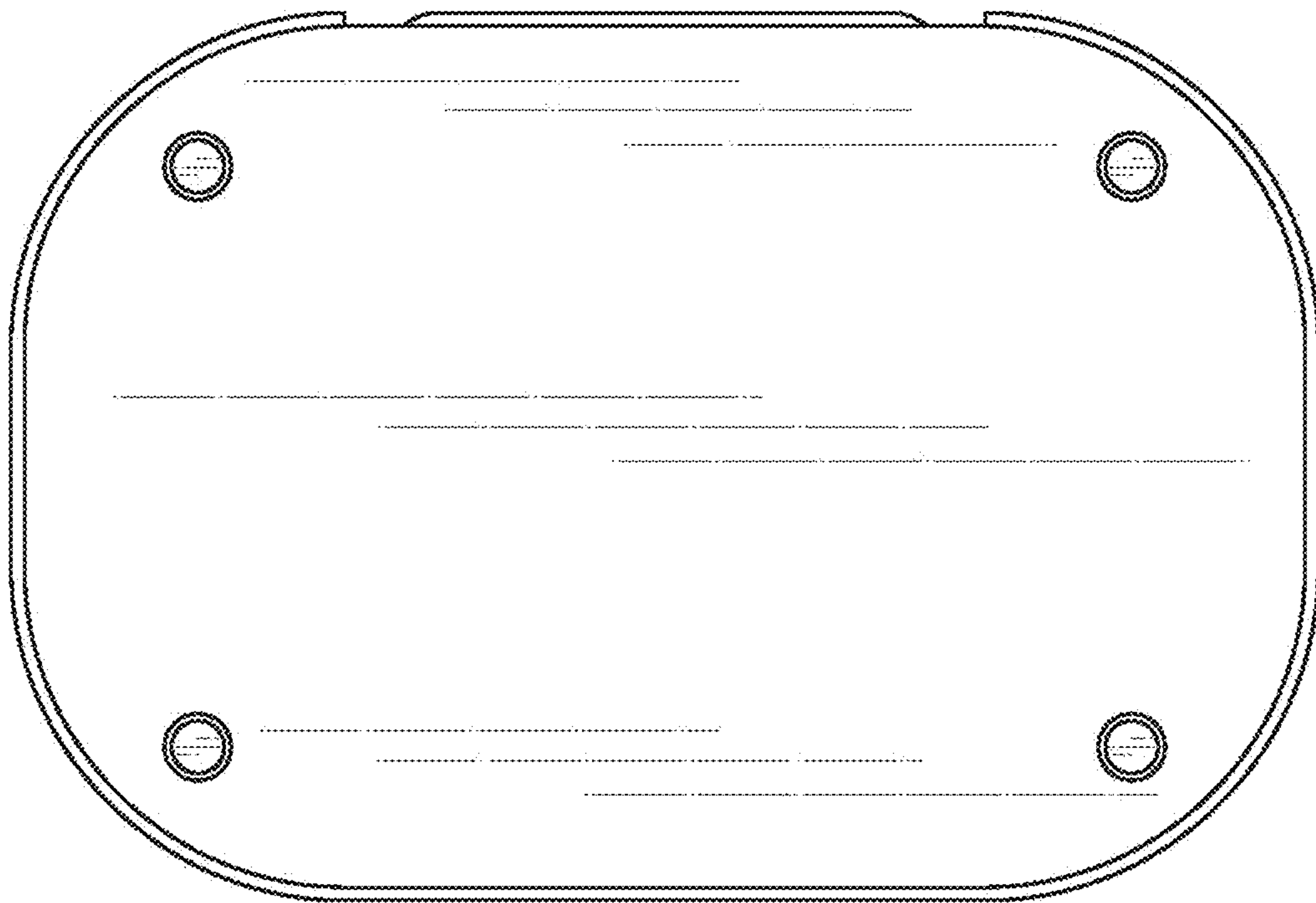


FIG. 8