



US00D986510S

(12) **United States Design Patent** (10) **Patent No.:** **US D986,510 S**  
**Leschinsky et al.** (45) **Date of Patent:** **\*\* May 16, 2023**

(54) **WEARABLE AIR STERILIZER WITH SLIDABLE FACE SHIELD**

(71) Applicants: **Barbara D Leschinsky**, Mahwah, NJ (US); **Mark Daniel Leschinsky**, Waldwick, NJ (US); **Gary A Leschinsky**, Mahwah, NJ (US)

(72) Inventors: **Barbara D Leschinsky**, Mahwah, NJ (US); **Mark Daniel Leschinsky**, Waldwick, NJ (US); **Gary A Leschinsky**, Mahwah, NJ (US)

(\*\*) Term: **15 Years**

(21) Appl. No.: **29/783,154**

(22) Filed: **May 11, 2021**

(51) **LOC (14) Cl.** ..... **29-02**

(52) **U.S. Cl.**  
USPC ..... **D29/108**

(58) **Field of Classification Search**  
USPC .... D29/108-111, 122, 102-107; D24/110.2, D24/110.3, 110, 110.1  
CPC .... A42B 3/00; A42B 3/18; A42B 3/28; A42B 3/04; A42B 3/0406; A42B 3/223; A42B 3/225

See application file for complete search history.

(56) **References Cited**

**U.S. PATENT DOCUMENTS**

- 3,369,255 A \* 2/1968 Bolle ..... A41D 13/1184 2/427
- 3,736,927 A 6/1973 Misaqi
- 3,881,478 A 5/1975 Rosendahl
- 3,963,021 A 6/1976 Bancroft
- 4,280,491 A 7/1981 Berg
- 5,054,479 A 10/1991 Yelland
- 5,533,500 A 7/1996 Her-Mou
- 6,990,691 B2 1/2006 Klotz
- 7,051,732 B2 5/2006 Uusitalo

- D716,505 S \* 10/2014 Wu ..... D24/110.4
- 9,155,923 B2 10/2015 Proctor
- D857,999 S \* 8/2019 Hanner ..... D29/110
- 10,470,502 B2 \* 11/2019 Rosati ..... A42B 3/286
- D888,228 S \* 6/2020 Hare ..... D24/110.3
- 11,064,756 B2 \* 7/2021 Kidman ..... A42B 3/042
- 11,090,516 B2 \* 8/2021 VanDerWoude .... A62B 18/003
- D930,162 S \* 9/2021 Cremer ..... D24/160
- 11,166,515 B1 \* 11/2021 Hajianpour ..... A42B 3/145
- D955,058 S \* 6/2022 Bruyn ..... D29/122
- D955,651 S \* 6/2022 Van Nortwick ..... D29/108
- D959,757 S \* 8/2022 Lanqvist ..... D29/122

(Continued)

**FOREIGN PATENT DOCUMENTS**

WO WO9908752 2/1999

*Primary Examiner* — Kimberly Barnes

(74) *Attorney, Agent, or Firm* — Boris Leschinsky

(57) **CLAIM**

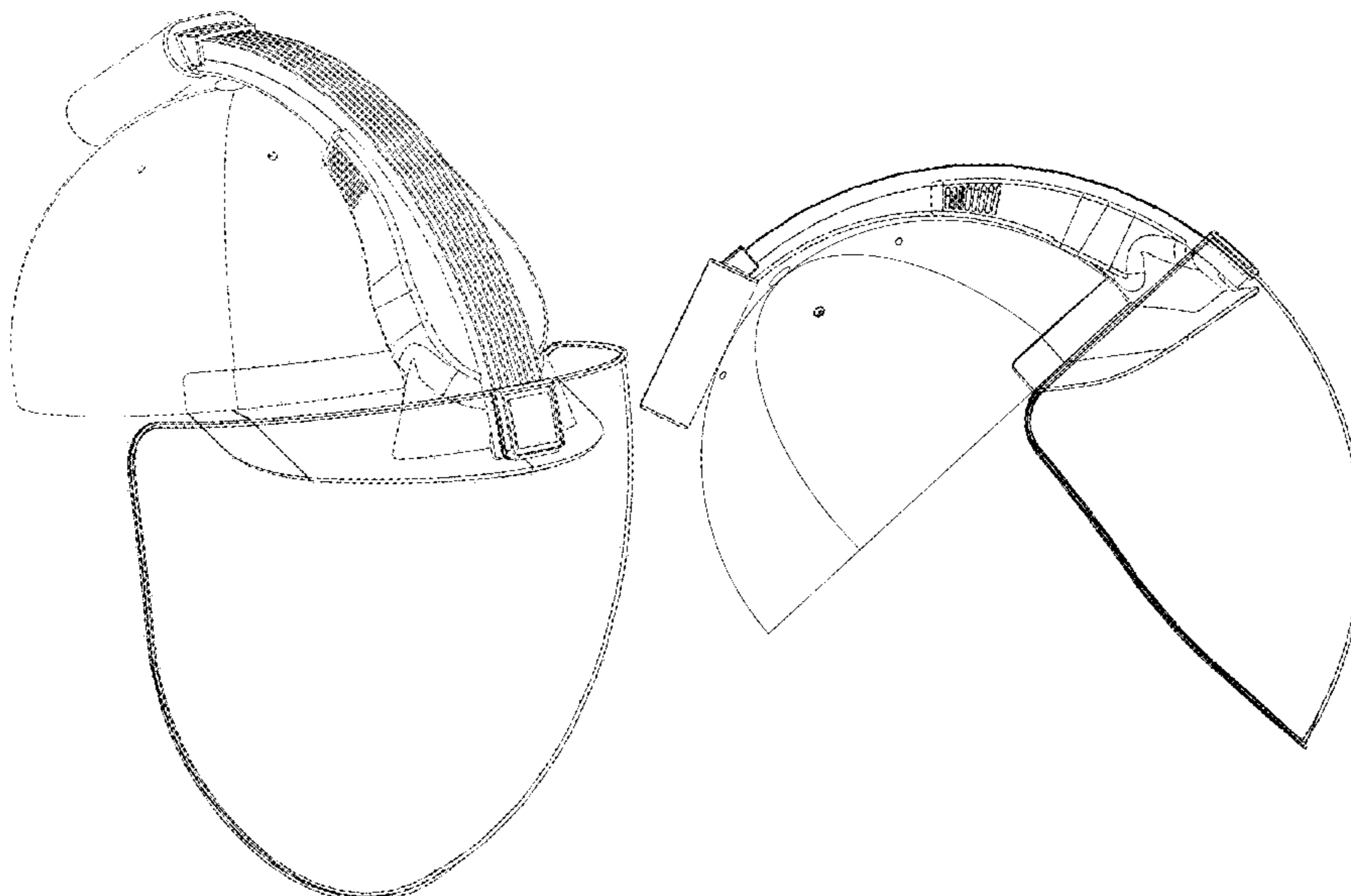
The ornamental design for a wearable air sterilizer with slidable face shield, as shown and described.

**DESCRIPTION**

FIG. 1 is a perspective view of a wearable air sterilizer with slidable face shield showing our new design;  
 FIG. 2 is a perspective top view of the same;  
 FIG. 3 is a side view of the same showing the lower position of the slidable face shield;  
 FIG. 4 is a side view of the same over a head of a user showing the lower position of the slidable face shield;  
 FIG. 5 is a front view of the same over a head of a user; and,  
 FIG. 6 is a top view of the same over a head of a user.

The broken lines in the drawings depict portions of the wearable air sterilizer with slidable face shield that form no part of the claimed design. The broken lines showing a head and shoulders of the user in FIGS. 4-6 represent environmental subject matter that form no part thereof.

**1 Claim, 6 Drawing Sheets**



(56)

**References Cited**

U.S. PATENT DOCUMENTS

11,399,580	B2 *	8/2022	Rosati .....	A41D 13/1161
2006/0213523	A1	9/2006	VanDerWoude	
2007/0050898	A1	3/2007	Larson	
2010/0224194	A1	9/2010	Walker	
2013/0152919	A1	6/2013	Billingsley	
2015/0090254	A1	4/2015	Pavalarajan	
2020/0178622	A1 *	6/2020	Jascomb .....	B32B 27/08
2021/0339061	A1 *	11/2021	Fajardo .....	A62B 18/08
2021/0353969	A1 *	11/2021	Leschinsky .....	A62B 9/00
2022/0040360	A1 *	2/2022	Carter .....	A62B 9/00

\* cited by examiner

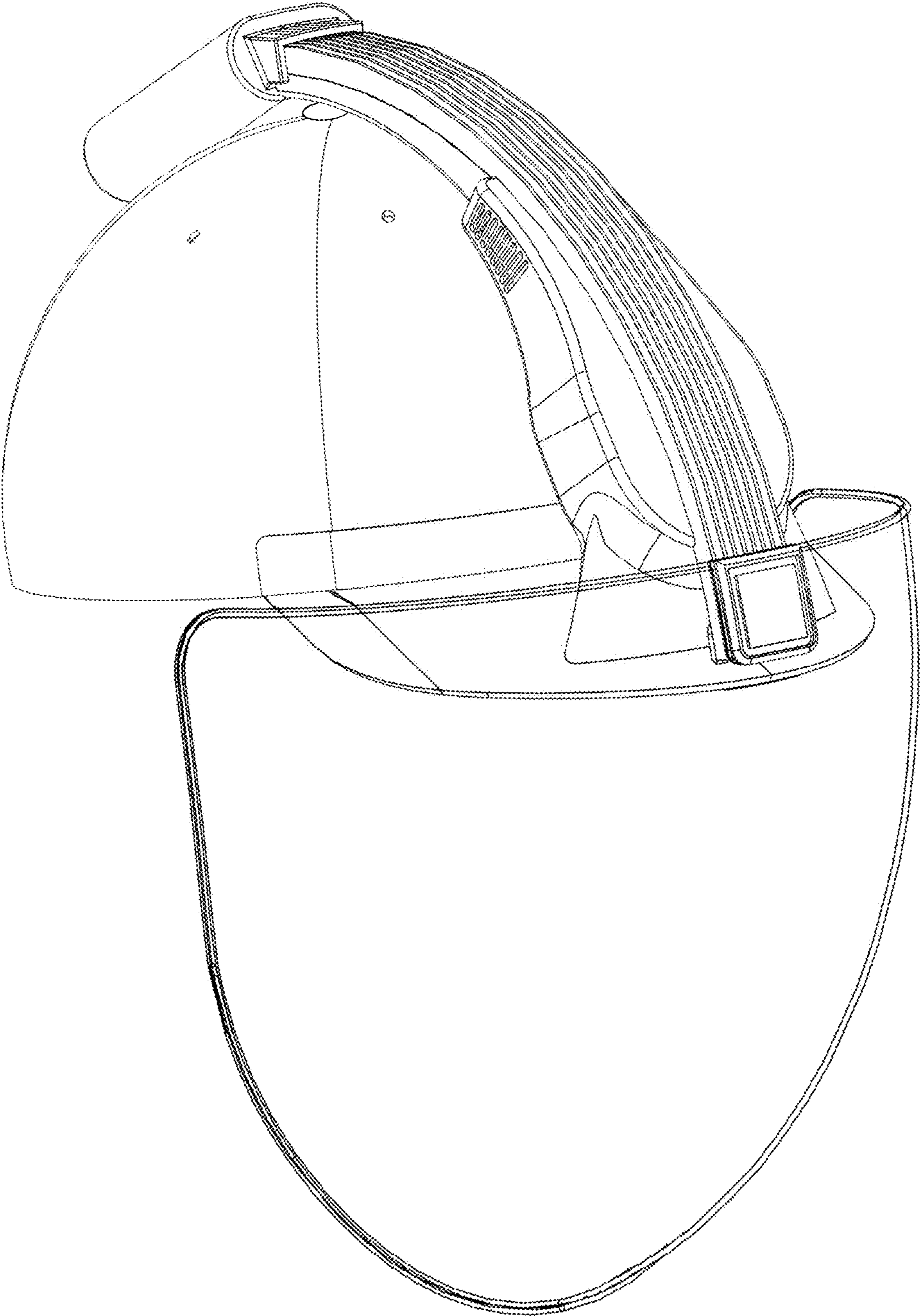


Fig. 1

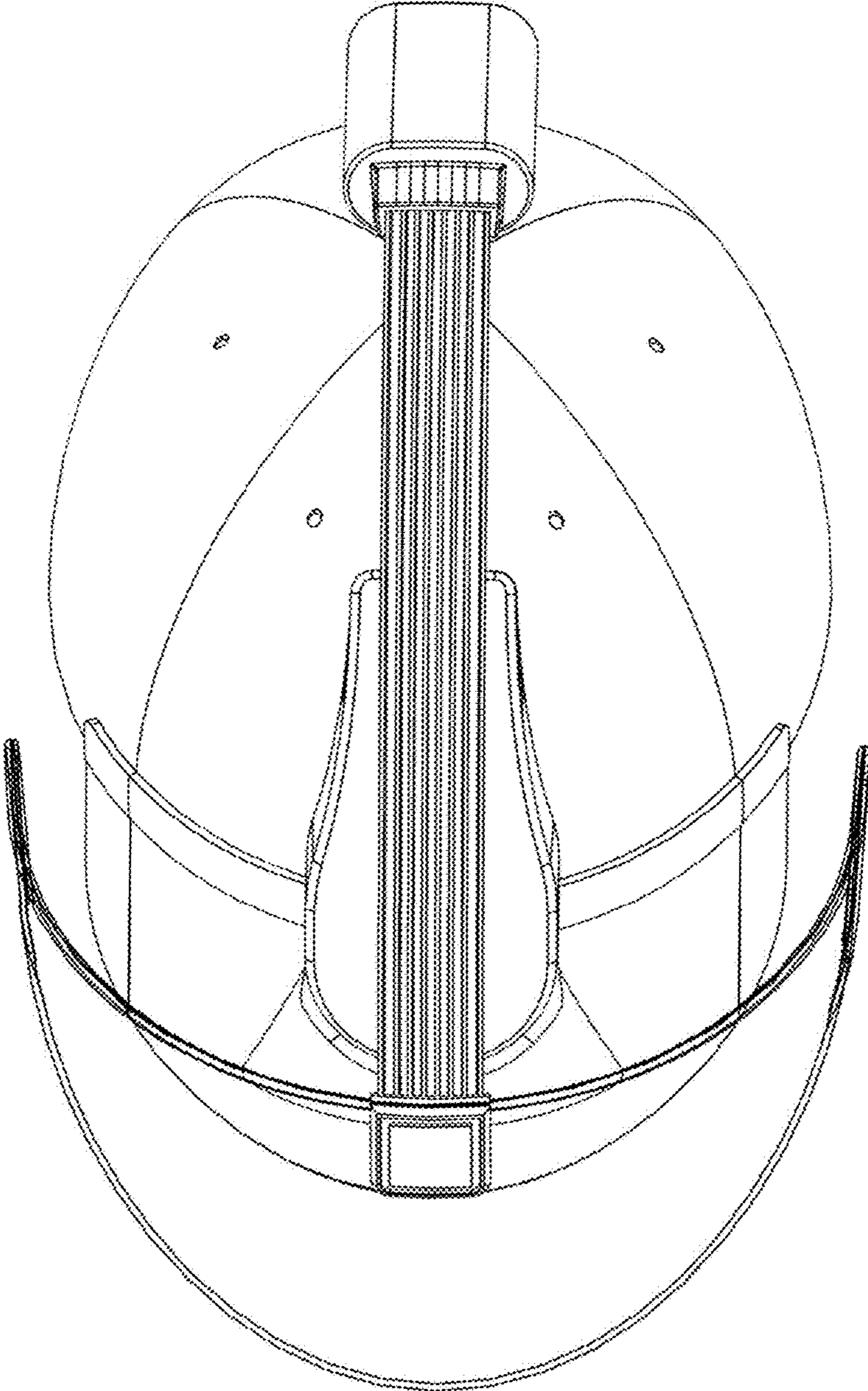


Fig. 2

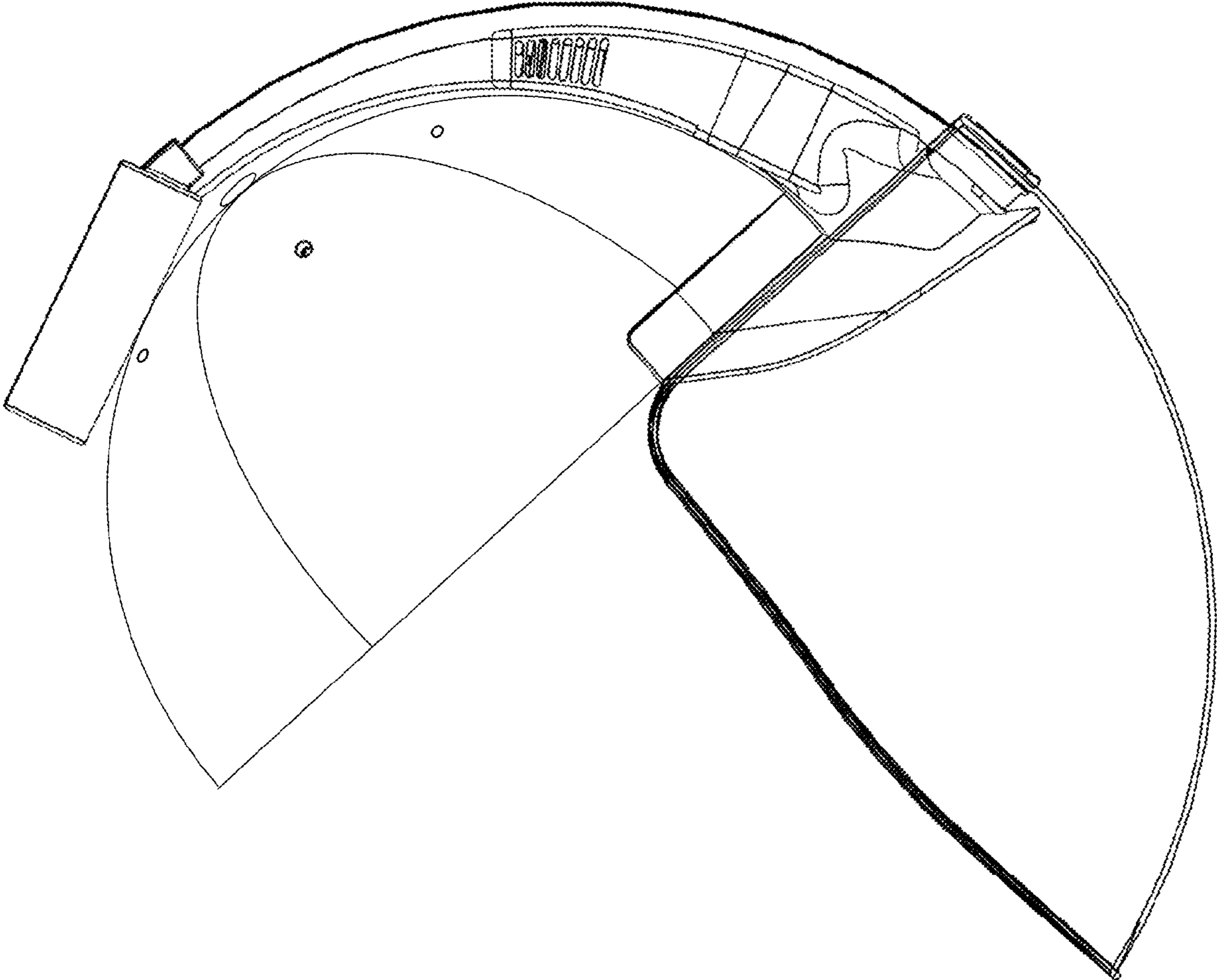


Fig. 3

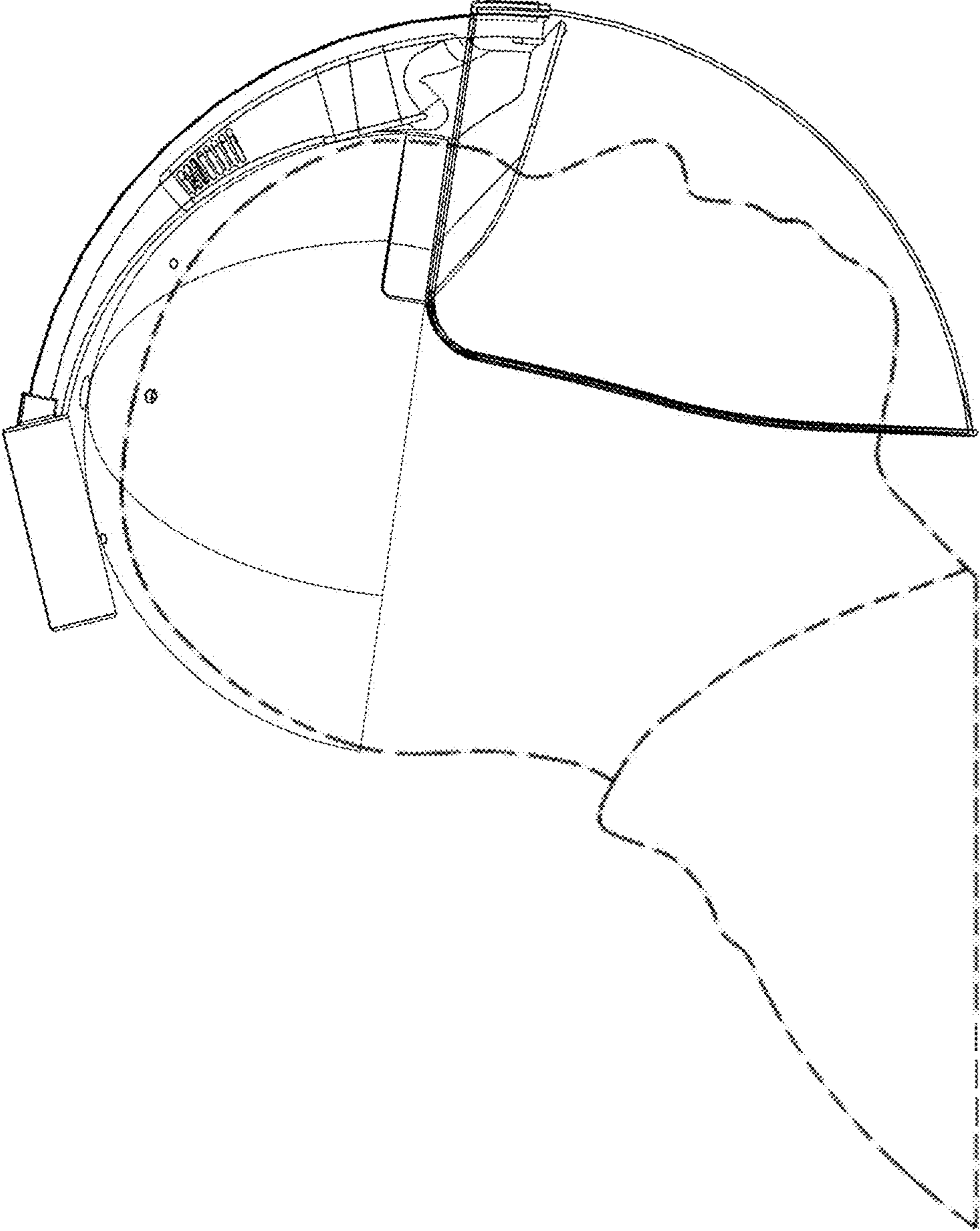


Fig. 4

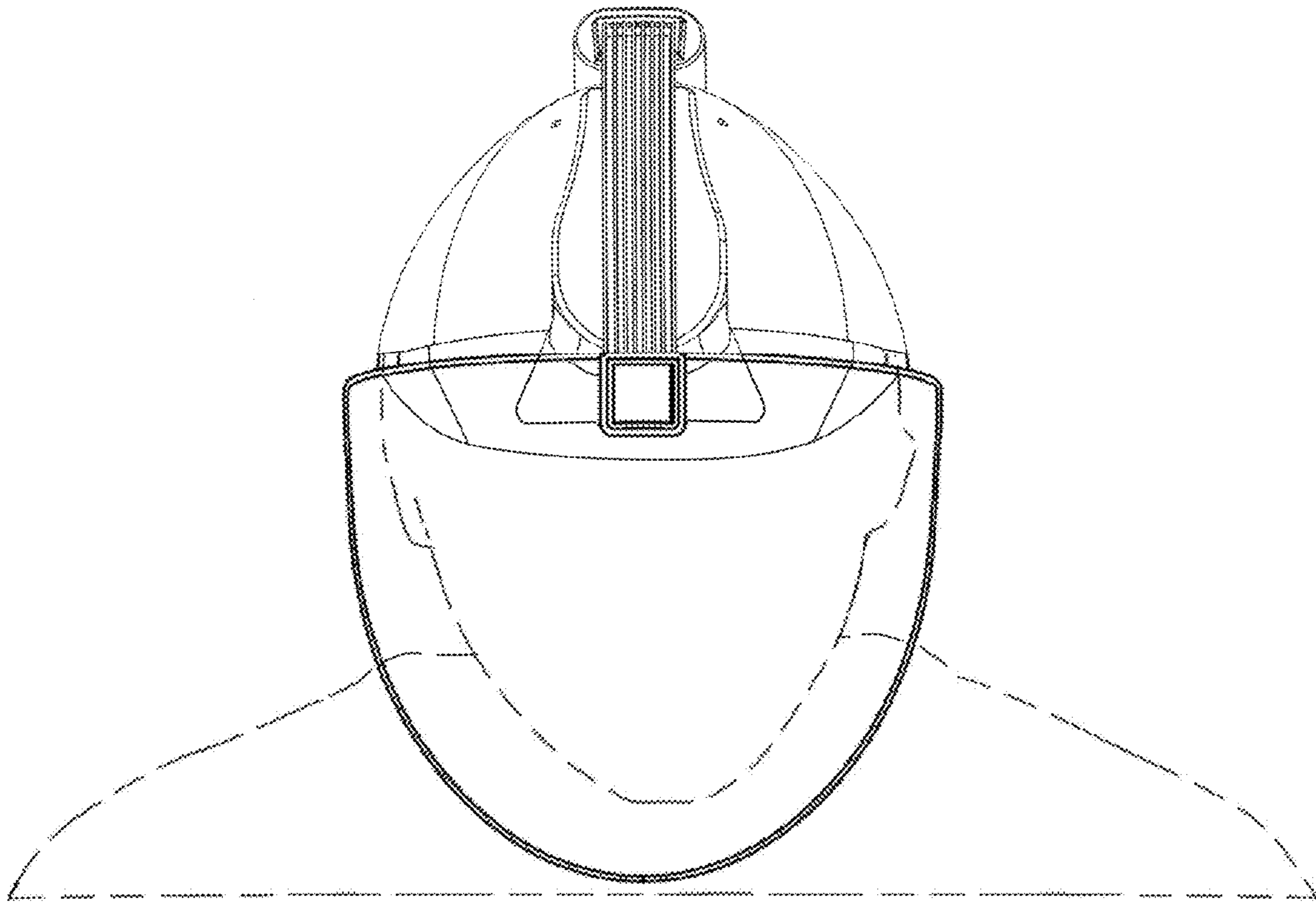


Fig. 5

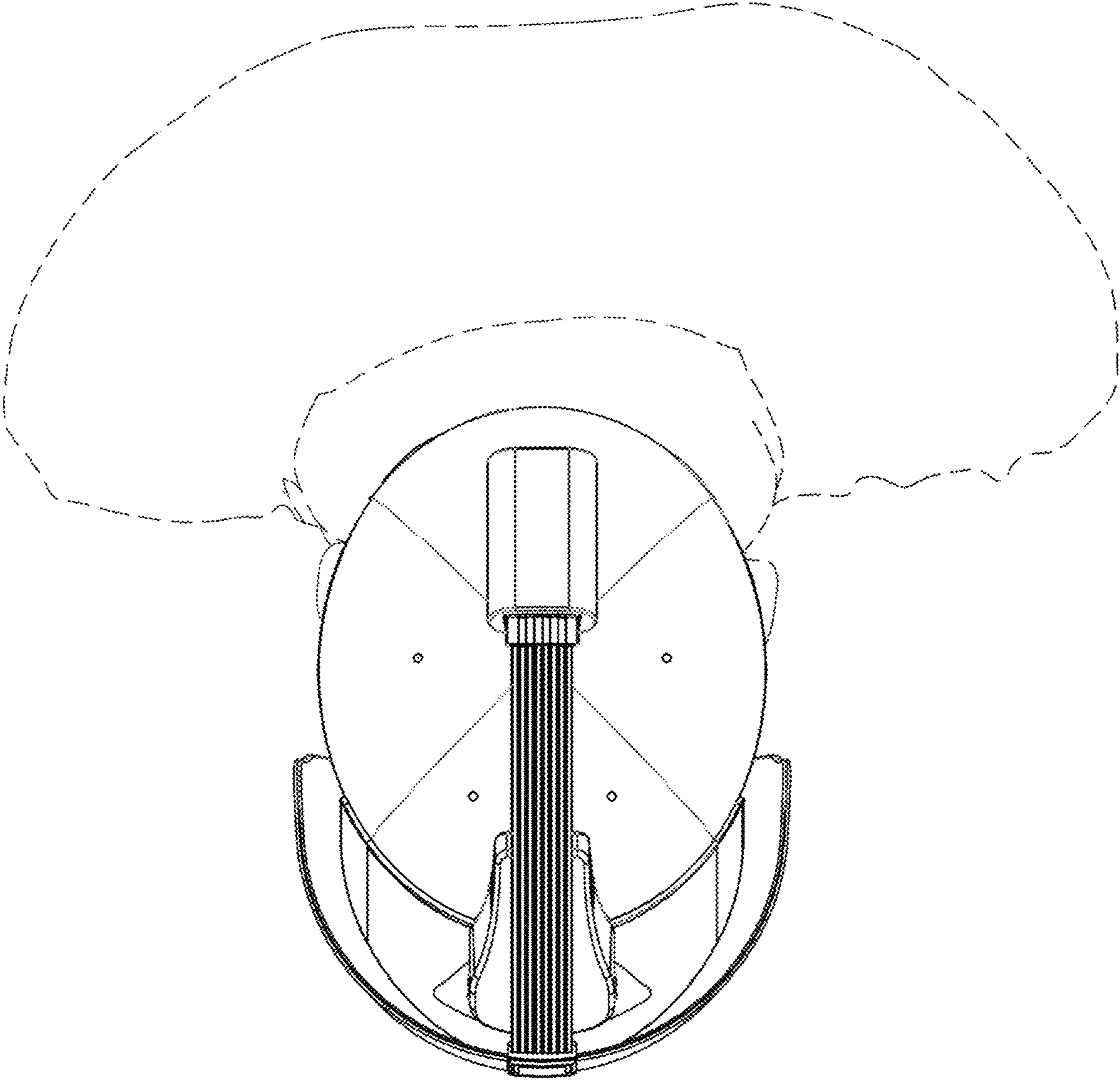


Fig. 6