



US00D986507S

(12) **United States Design Patent** (10) **Patent No.:** **US D986,507 S**  
**Ishida** (45) **Date of Patent:** **\*\* May 16, 2023**

(54) **TWEEZERS**

(71) Applicant: **Green Bell Co., Ltd.**, Osaka (JP)  
(72) Inventor: **Itsuto Ishida**, Osaka (JP)  
(73) Assignee: **GREEN BELL CO., LTD.**, Osaka (JP)  
(\*\*) Term: **15 Years**

(21) Appl. No.: **29/758,277**

(22) Filed: **Nov. 13, 2020**

(51) **LOC (14) Cl.** ..... **28-03**

(52) **U.S. Cl.**  
USPC ..... **D28/55**

(58) **Field of Classification Search**

USPC ..... D28/7, 55, 57, 59, 99, 60, 62; D24/143,  
D24/154, 146, 147, 173; D8/14, 16, 71,  
D8/75  
CPC .... A45D 26/00; A45D 26/0066; A45D 29/00;  
A45D 29/007; A45D 29/06; A45D 29/16;  
A45D 29/17; A61B 17/20; A61B 17/28;  
B25B 9/02

See application file for complete search history.

(56) **References Cited**

**U.S. PATENT DOCUMENTS**

D495,834 S \* 9/2004 Todeschini ..... D28/55  
7,219,430 B2 \* 5/2007 Fandrey ..... B26B 21/4062  
30/44  
D569,041 S \* 5/2008 Azoulay ..... D28/55  
D588,746 S \* 3/2009 Ross ..... D28/55  
7,500,313 B2 \* 3/2009 Fandrey ..... B26B 21/4062  
30/44  
D744,744 S \* 12/2015 Lee ..... D3/205  
D752,221 S \* 3/2016 Trottier ..... A61C 19/02  
D24/152  
D908,960 S \* 1/2021 Ramm ..... D3/205  
D954,350 S \* 6/2022 Zucker ..... D3/205  
2010/0243493 A1 \* 9/2010 Harris ..... A61C 19/02  
206/361

**FOREIGN PATENT DOCUMENTS**

JP D1693578 \* 8/2021

**OTHER PUBLICATIONS**

Hair Plucking . . . [online]; [video published to the internet on Dec. 15, 2021]; [retrieved from the internet on Feb. 3, 2023]; URL:https://www.youtube.com/watch?v=VsS0awRjSv8 (4 pages). (Year: 2021).\*

\* cited by examiner

*Primary Examiner* — Jasmine Mlinarcik

*Assistant Examiner* — Victoria A. Rielly

(74) *Attorney, Agent, or Firm* — Welsh Flaxman & Gitler LLC

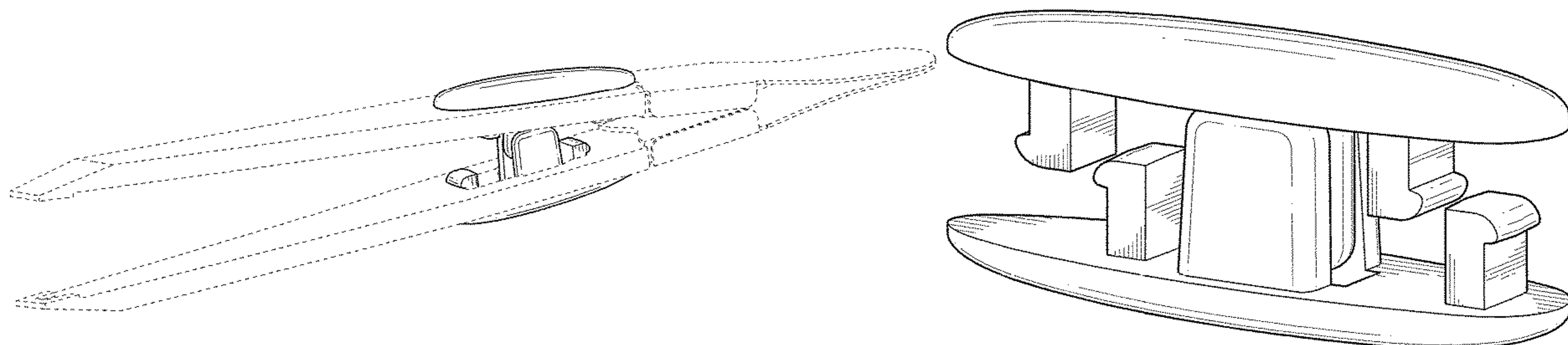
(57) **CLAIM**

The ornamental design for tweezers, as shown and described.

**DESCRIPTION**

FIG. 1 is a perspective view of the tweezers;  
FIG. 2 is a top, left side perspective view from the front of the tweezers;  
FIG. 3 is a bottom, left side perspective view from the front of the tweezers;  
FIG. 4 is a rear elevation view of tweezers;  
FIG. 5 is front elevation view of the tweezers;  
FIG. 6 is right side elevation view of the tweezers;  
FIG. 7 is a left side elevation view of the tweezers;  
FIG. 8 is a top plan view of the tweezers; and,  
FIG. 9 is a bottom elevation view of the tweezers.  
The dashed lines disclose the environment and form no part of the claimed design, wherein the claimed design is directed to the locking handle of the tweezers.

**1 Claim, 5 Drawing Sheets**



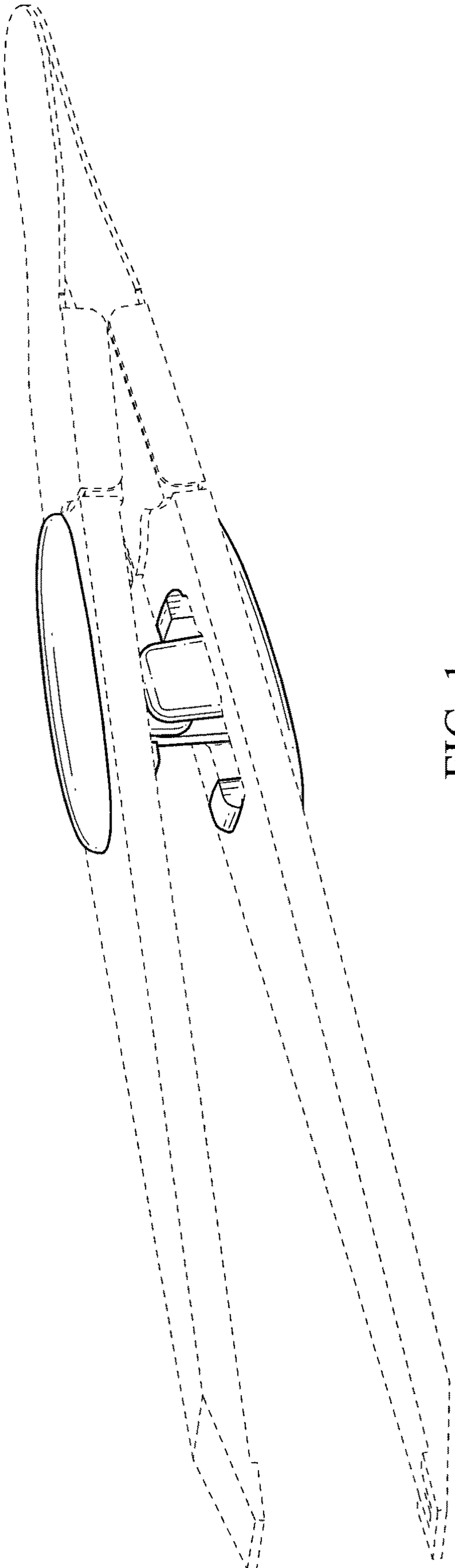


FIG. 1

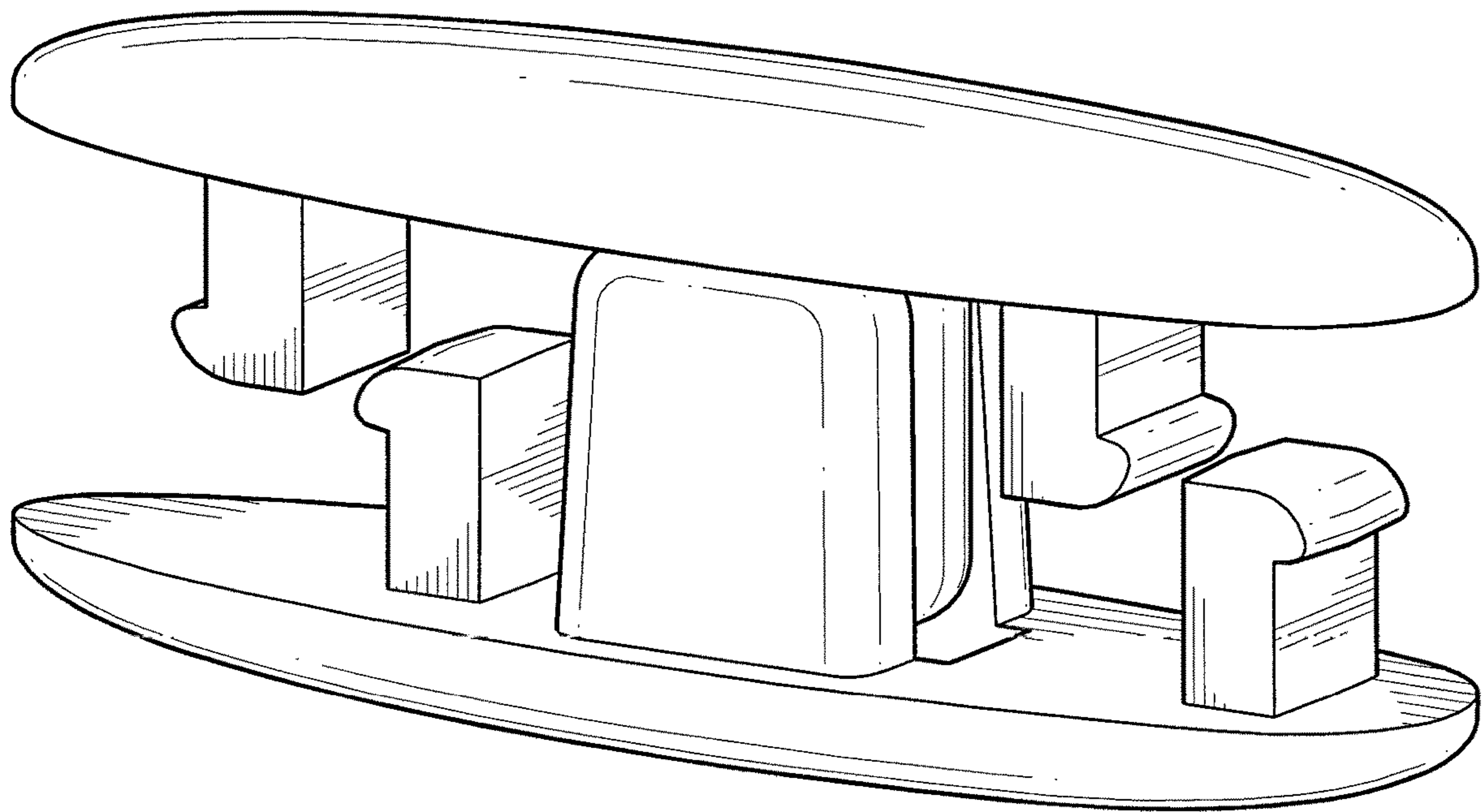


FIG. 2

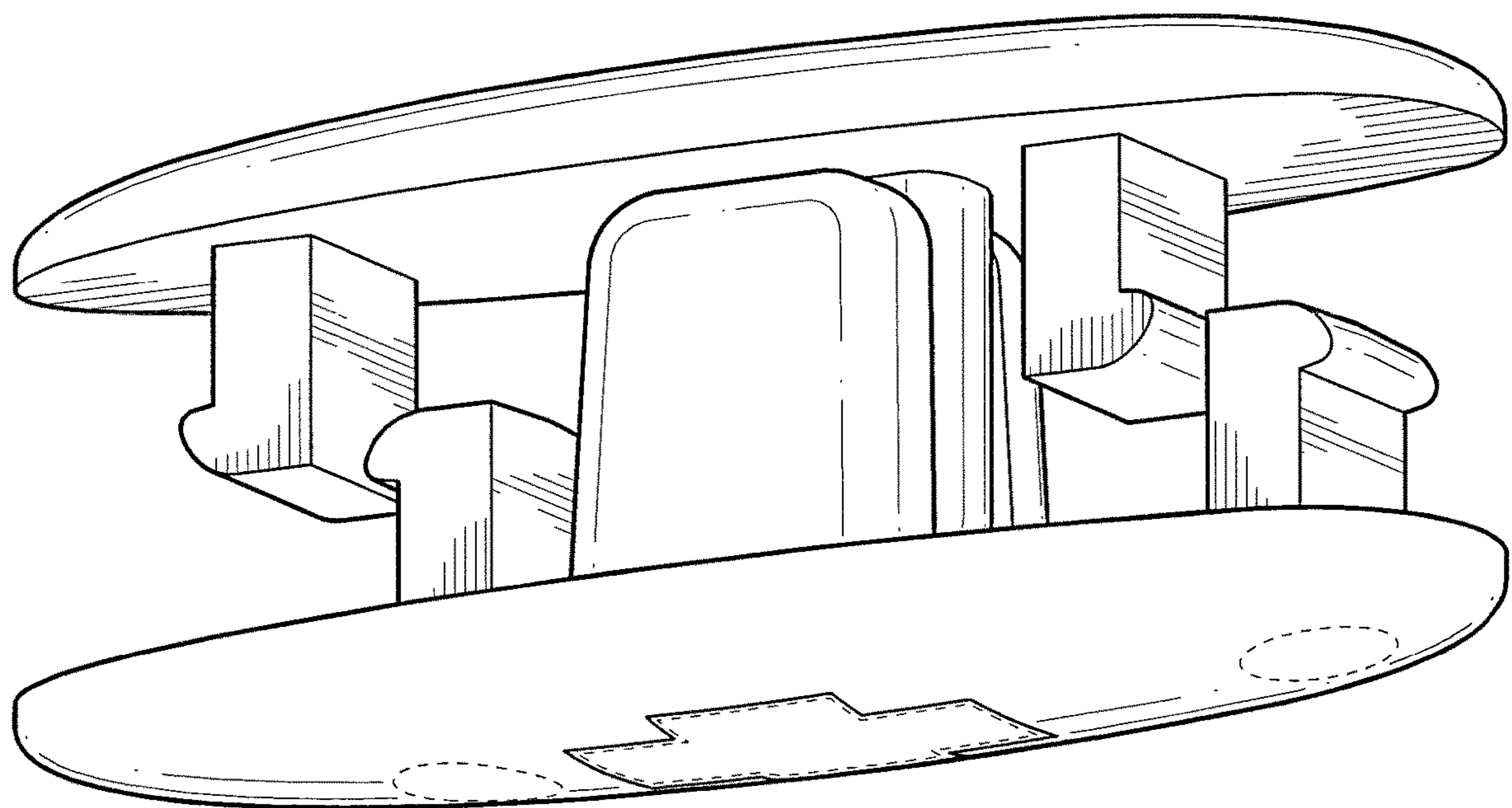


FIG. 3

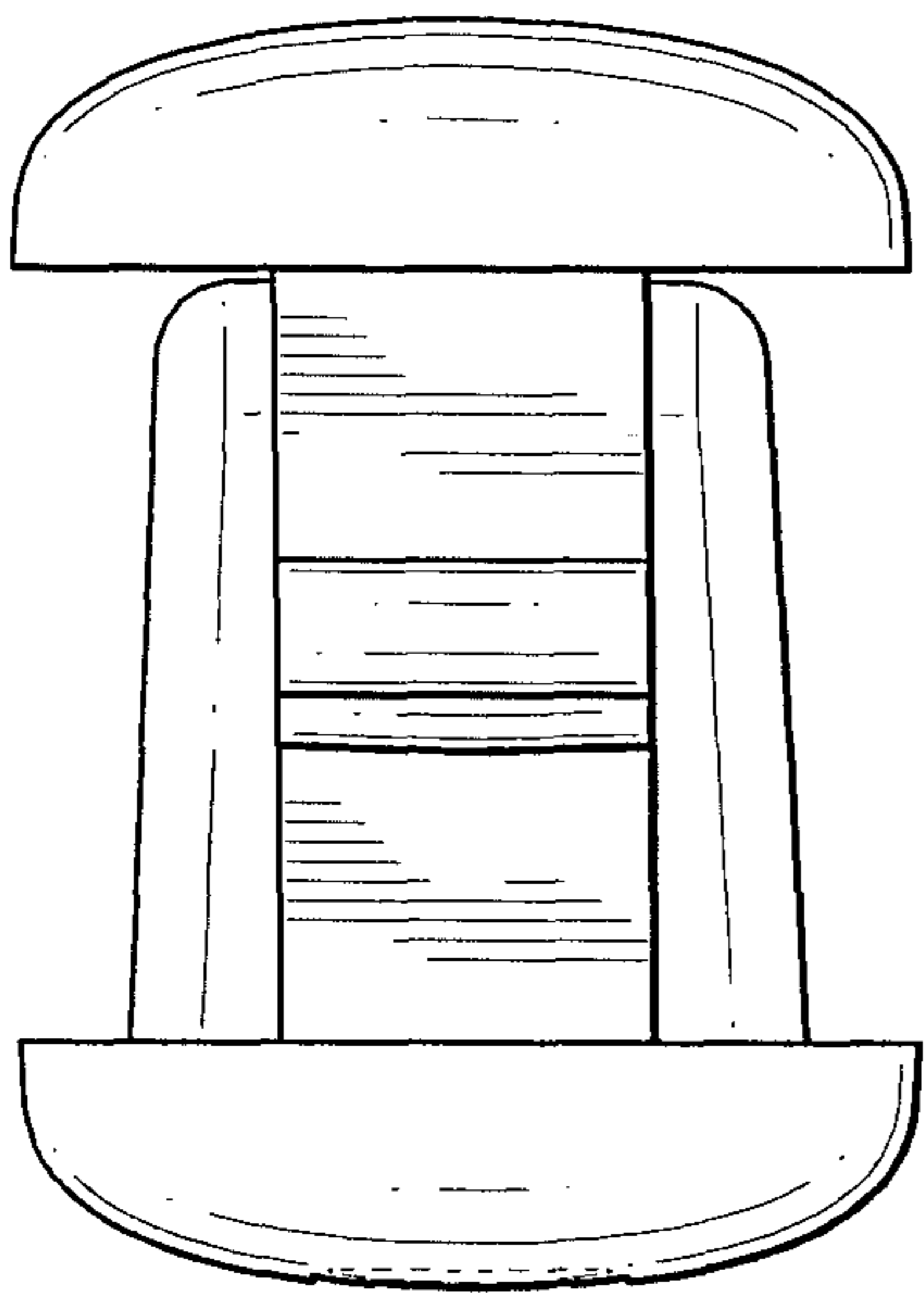


FIG. 4

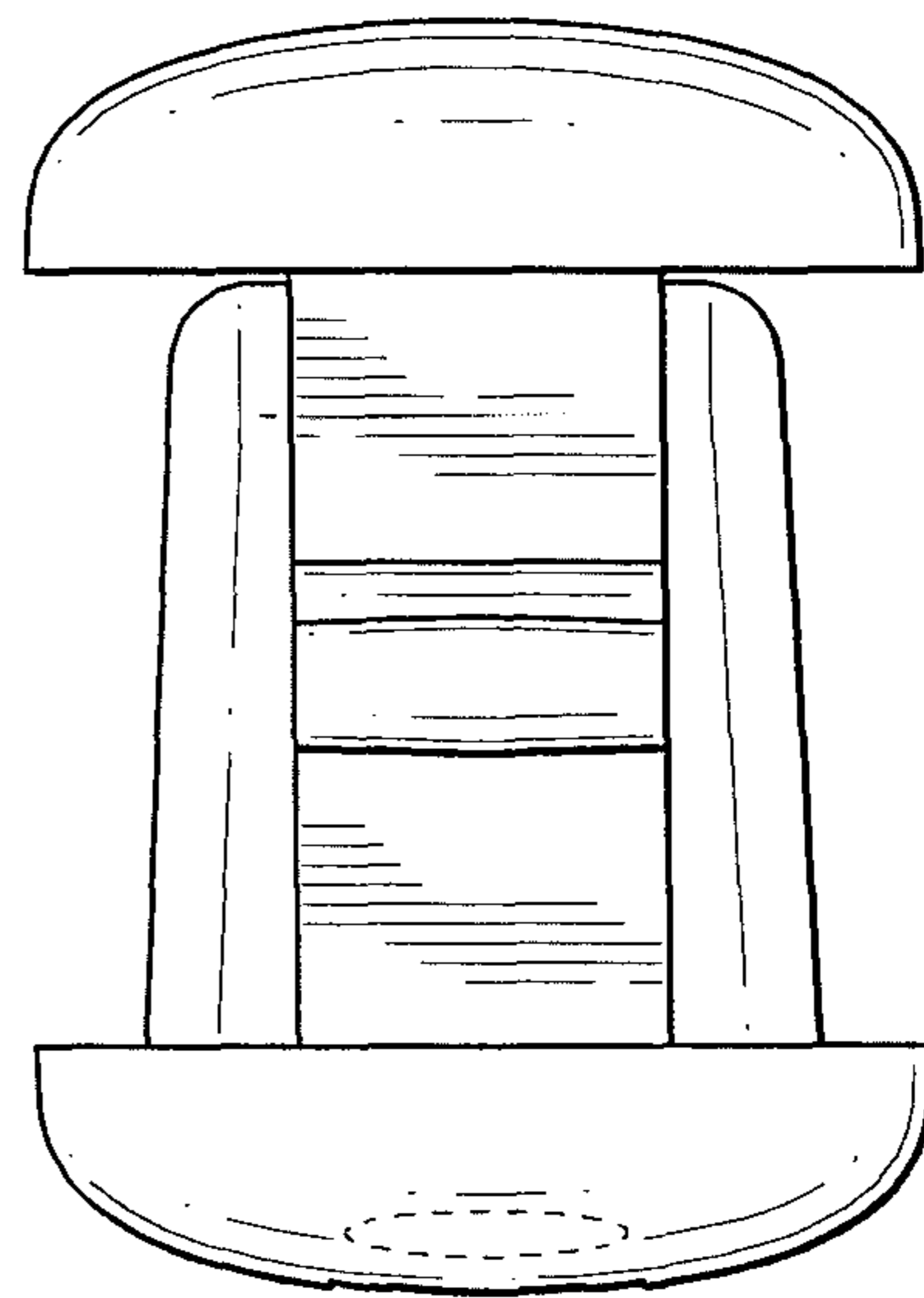


FIG. 5

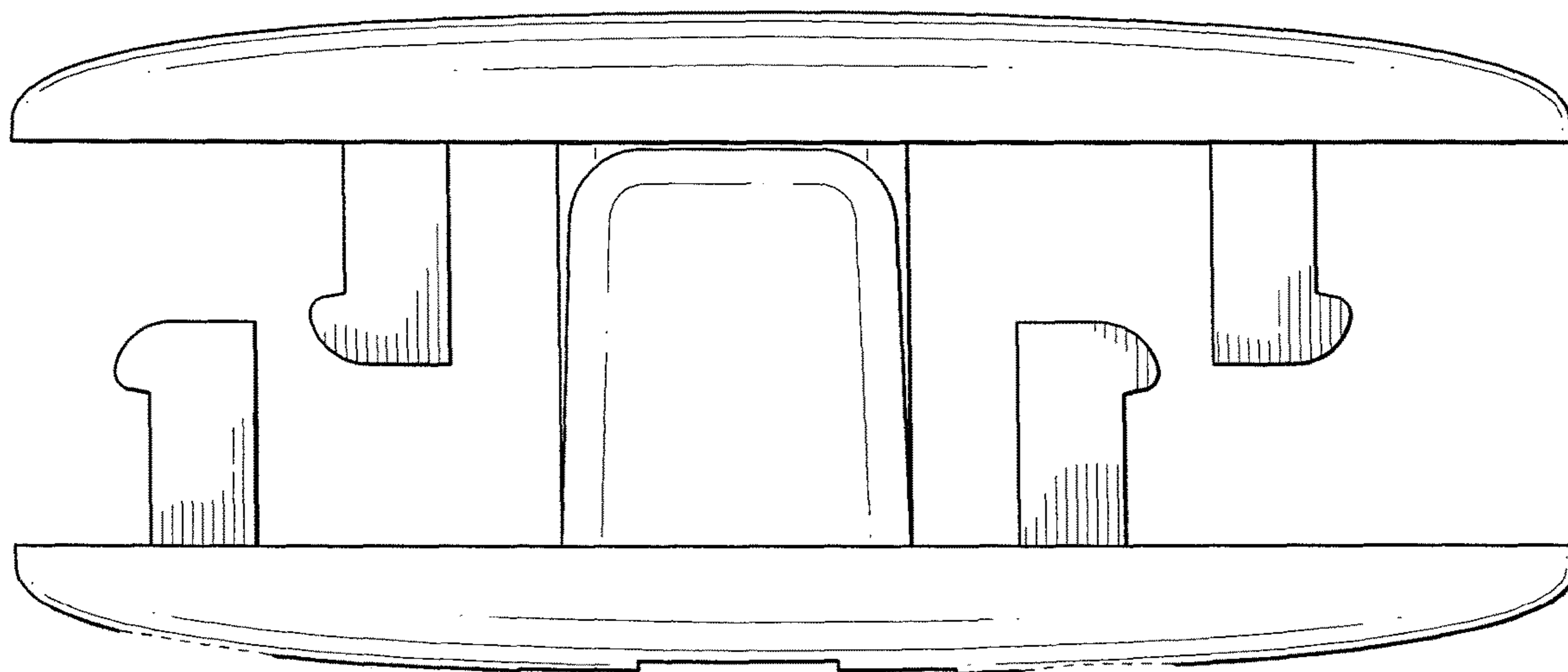


FIG. 6

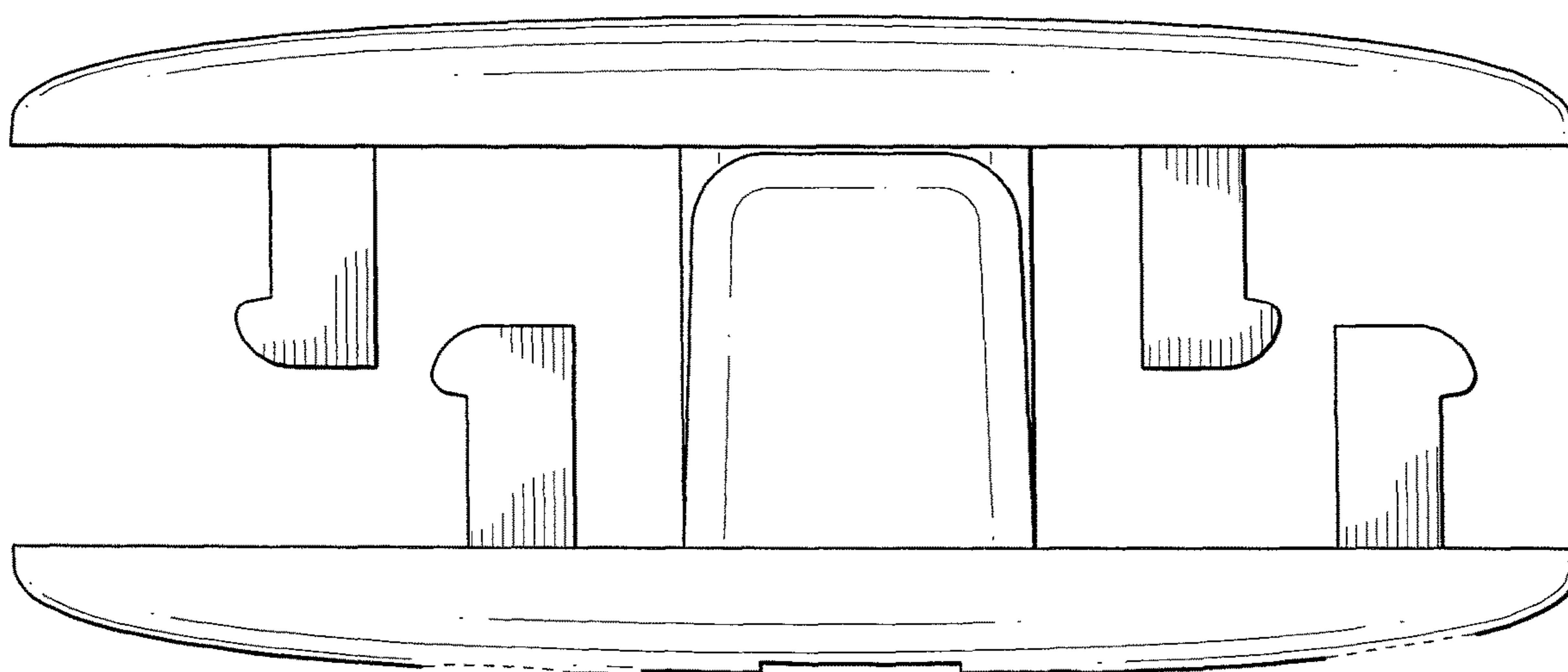


FIG. 7

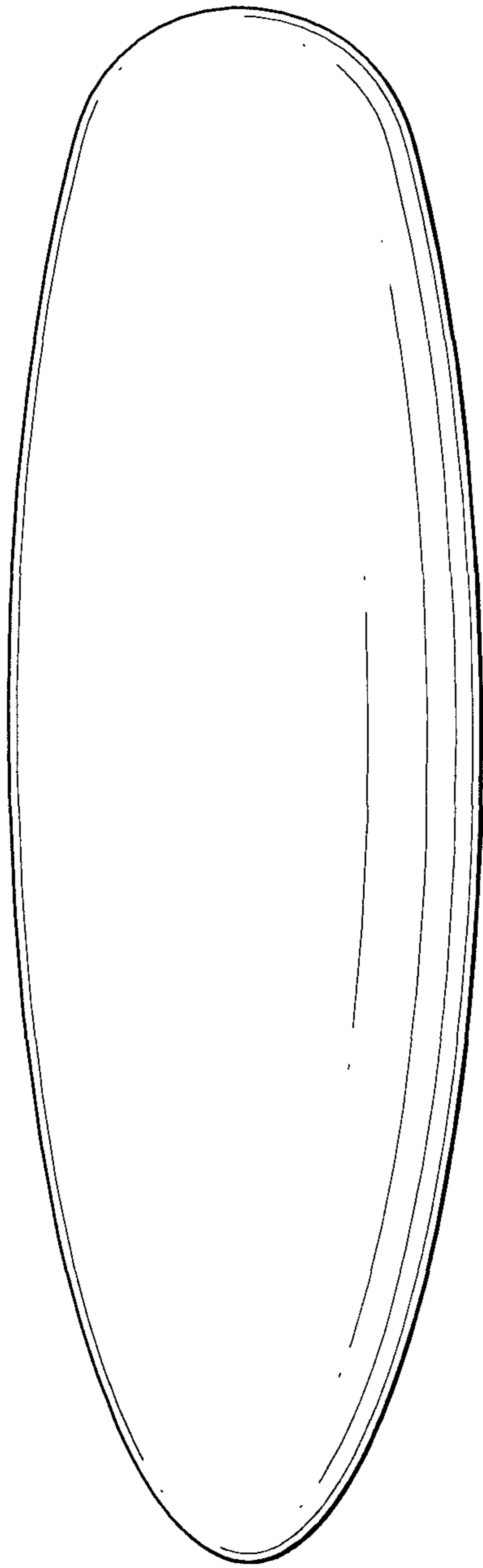


FIG. 8

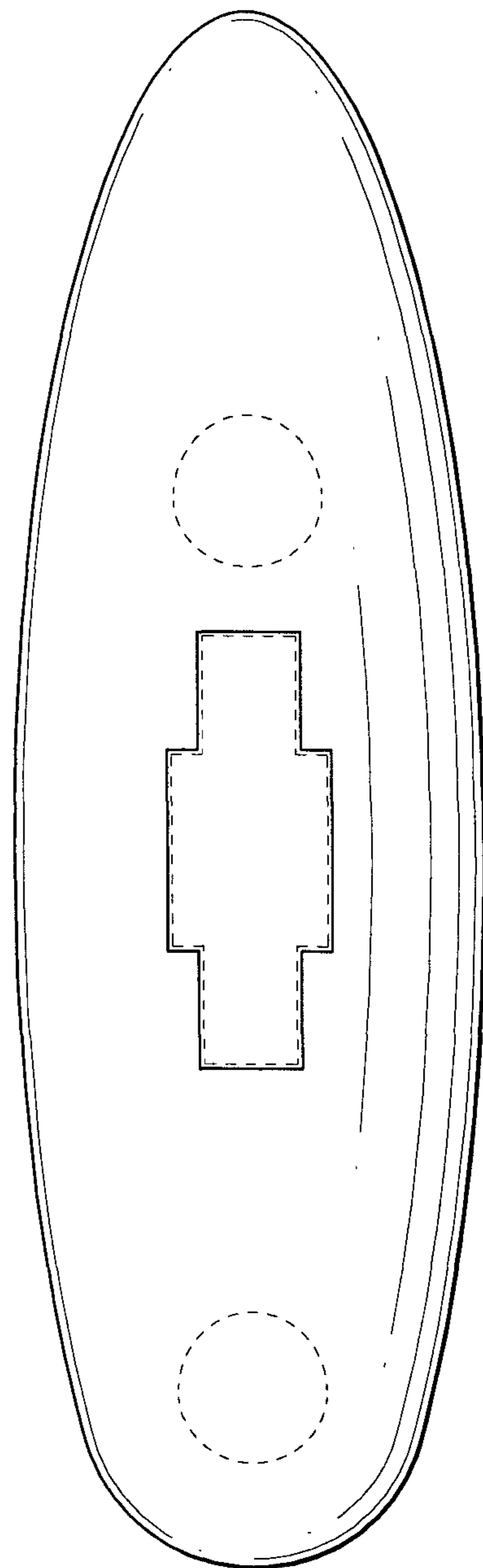


FIG. 9