



US00D986505S

(12) **United States Design Patent**
Sims et al.

(10) **Patent No.:** **US D986,505 S**

(45) **Date of Patent:** **** May 16, 2023**

(54) **RAZOR HANDLE**

(71) Applicant: **Beauty Perspectives, LLC**, San Mateo, CA (US)

(72) Inventors: **Daniel Jerome Sims**, Lake Forest, CA (US); **Yiqian Eric Liu**, Jupiter, FL (US); **Hailey Hwang**, Glendale, CA (US)

(73) Assignee: **Beauty Perspectives, LLC**, San Mateo, CA (US)

(**) Term: **15 Years**

(21) Appl. No.: **29/776,300**

(22) Filed: **Mar. 29, 2021**

(51) **LOC (14) Cl.** **28-03**

(52) **U.S. Cl.**
USPC **D28/48**

(58) **Field of Classification Search**
USPC D28/45, 46, 47, 48, 49, 50, 51, 99;
D24/146, 147; D8/80
CPC B26B 21/00; B26B 21/08; B26B 21/14;
B26B 21/18; B26B 21/30; B26B 21/32;
B26B 21/40; B26B 21/44; B26B 21/48;
B26B 21/52; B26B 21/528; B26B
21/4062; B26B 21/4075; B26B 19/38
See application file for complete search history.

(56) **References Cited**

U.S. PATENT DOCUMENTS

3,204,338	A	9/1965	Kruger et al.	
3,367,482	A	2/1968	Samsing	
5,167,069	A	12/1992	Quinn	
5,533,263	A	7/1996	Gilder	
5,787,586	A	8/1998	Apprille, Jr. et al.	
5,918,369	A *	7/1999	Apprille, Jr.	B26B 21/4012 30/47
6,266,888	B1	7/2001	Zowaski	
6,749,788	B1	6/2004	Holden et al.	

6,854,188	B1	2/2005	Wonderley	
7,197,827	B2	4/2007	Paquette	
D615,708	S *	5/2010	Lukan	D28/48
D655,450	S *	3/2012	Christie	D28/47

(Continued)

FOREIGN PATENT DOCUMENTS

CN 305762105 * 5/2020

OTHER PUBLICATIONS

MyRefreshments . . . [online]; [first published to the internet on Aug. 1, 2021]; [retrieved from the internet on Jan. 9, 2023]; URL: <https://www.facebook.com/MyRefreshments/photos/865960870701627X> (2 pages). (Year: 2021).*

(Continued)

Primary Examiner — Jasmine Mlinarcik
Assistant Examiner — Victoria A. Rielly
(74) *Attorney, Agent, or Firm* — Kramer Levin Naftalis & Frankel LLP

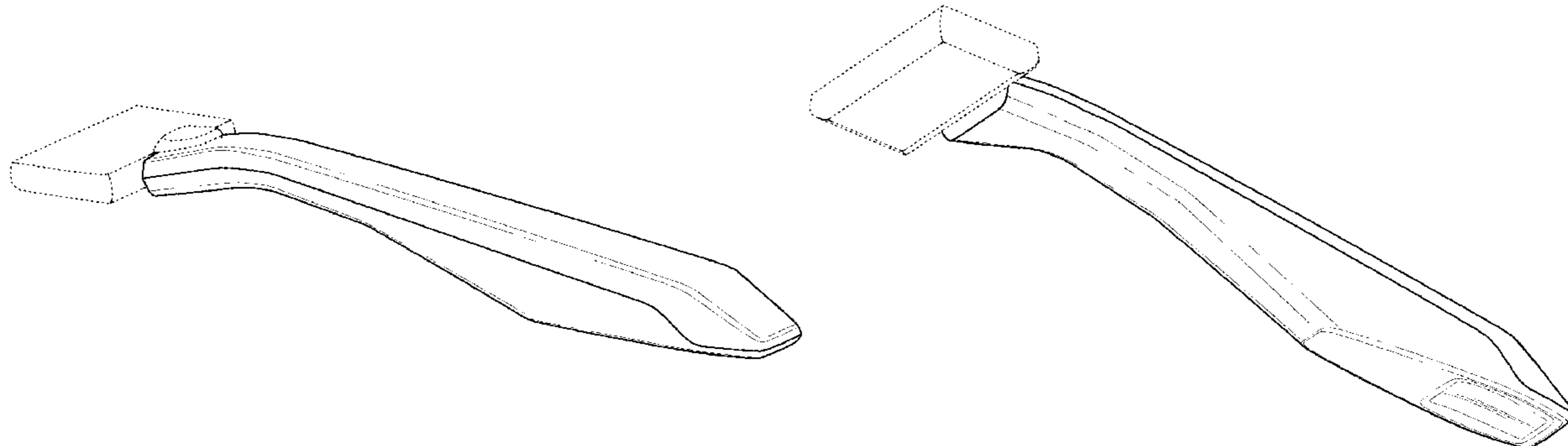
(57) **CLAIM**

The ornamental design for a razor handle, as shown and described.

DESCRIPTION

FIG. 1 is a top perspective view of a razor handle showing our design;
FIG. 2 is a bottom perspective view thereof;
FIG. 3 is a front view thereof;
FIG. 4 is a rear view thereof;
FIG. 5 is a right side view thereof, the left side is a mirror image thereto;
FIG. 6 is a top view; and,
FIG. 7 is a bottom view.
The broken lines depict environmental structure associated with the razor handle that form no part of the claimed design.

1 Claim, 3 Drawing Sheets



(56)

References Cited

U.S. PATENT DOCUMENTS

8,484,852 B2 7/2013 King
8,732,955 B2 5/2014 Howell et al.
9,751,226 B2 9/2017 Psimadas et al.
D843,054 S * 3/2019 Rodgers D28/7
D845,543 S 4/2019 Efthimiadis et al.
D926,375 S * 7/2021 Riehle D28/48
D940,956 S * 1/2022 Mesika D28/48
D945,065 S * 3/2022 Go D28/48
D950,153 S * 4/2022 Ramm D28/48
D953,640 S * 5/2022 Desmarais D28/48
11,504,867 B2 * 11/2022 Sims F16M 13/02
2003/0177648 A1 9/2003 Zeiter
2004/0093735 A1 5/2004 Ohtsubo et al.
2014/0150264 A1 6/2014 Micinilio
2019/0084169 A1 3/2019 Bonk et al.
2020/0086516 A1 * 3/2020 Brellis B26B 21/52
2020/0180178 A1 6/2020 Park et al.
2020/0346358 A1 11/2020 Park et al.
2021/0008743 A1 1/2021 Lee et al.
2021/0095116 A1 * 4/2021 Chatzigrigoriou C08K 3/013

OTHER PUBLICATIONS

The Razor Kit . . . [online]; [review published to the internet on Oct. 20, 2022]; [retrieved from the internet on Jan. 9, 2023]; URL: <https://www.athenaclub.com/products/razor-kit-atc> (8 pages). (Year: 2022).*

* cited by examiner

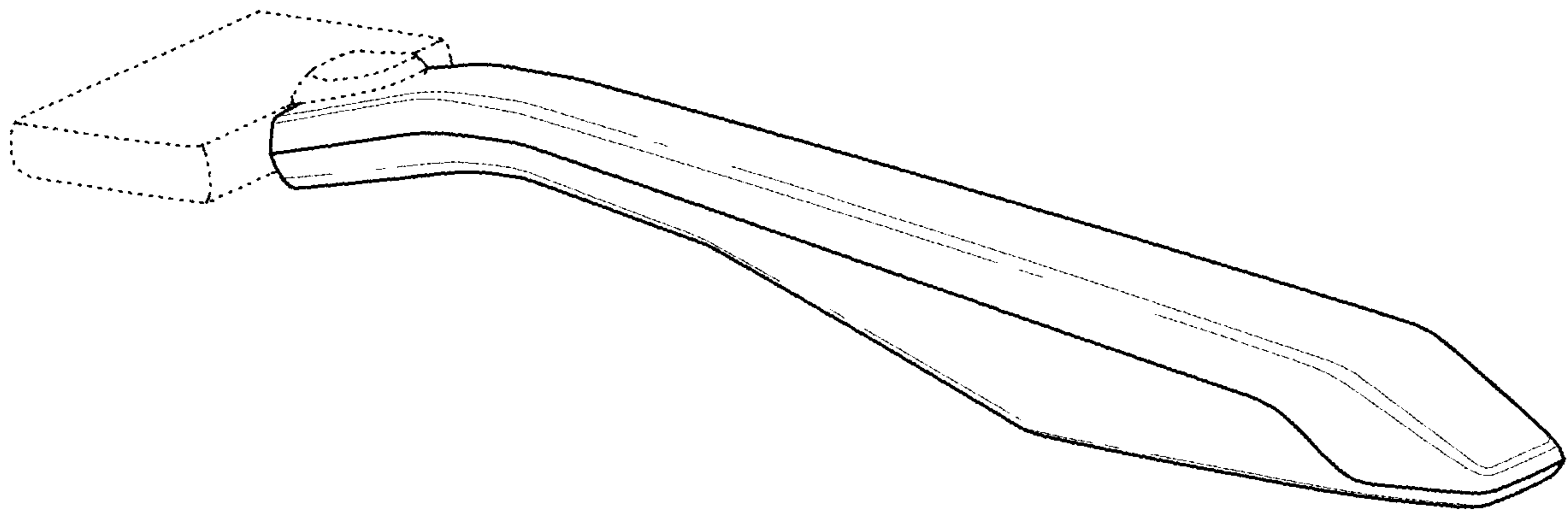


FIG. 1

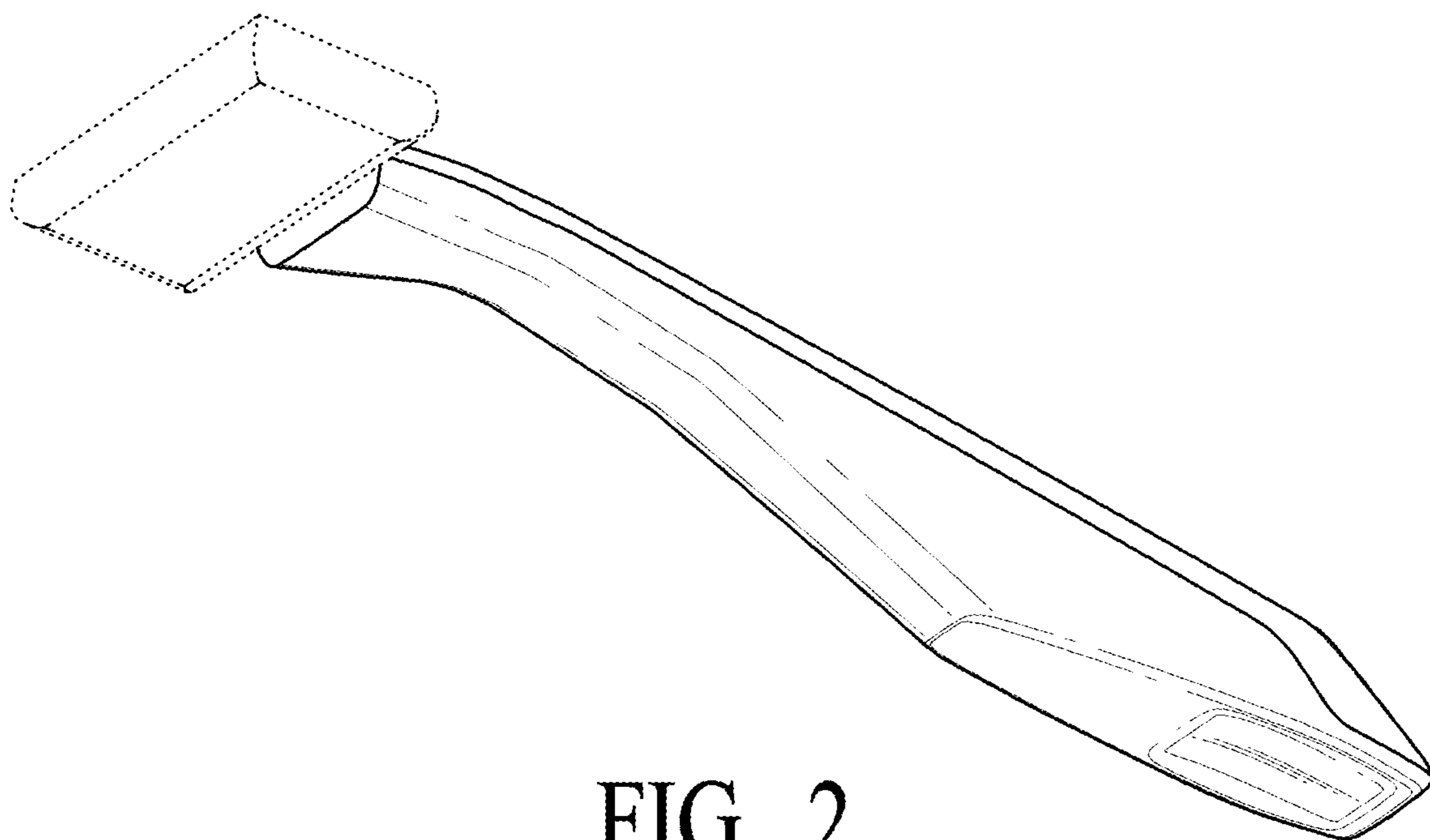


FIG. 2

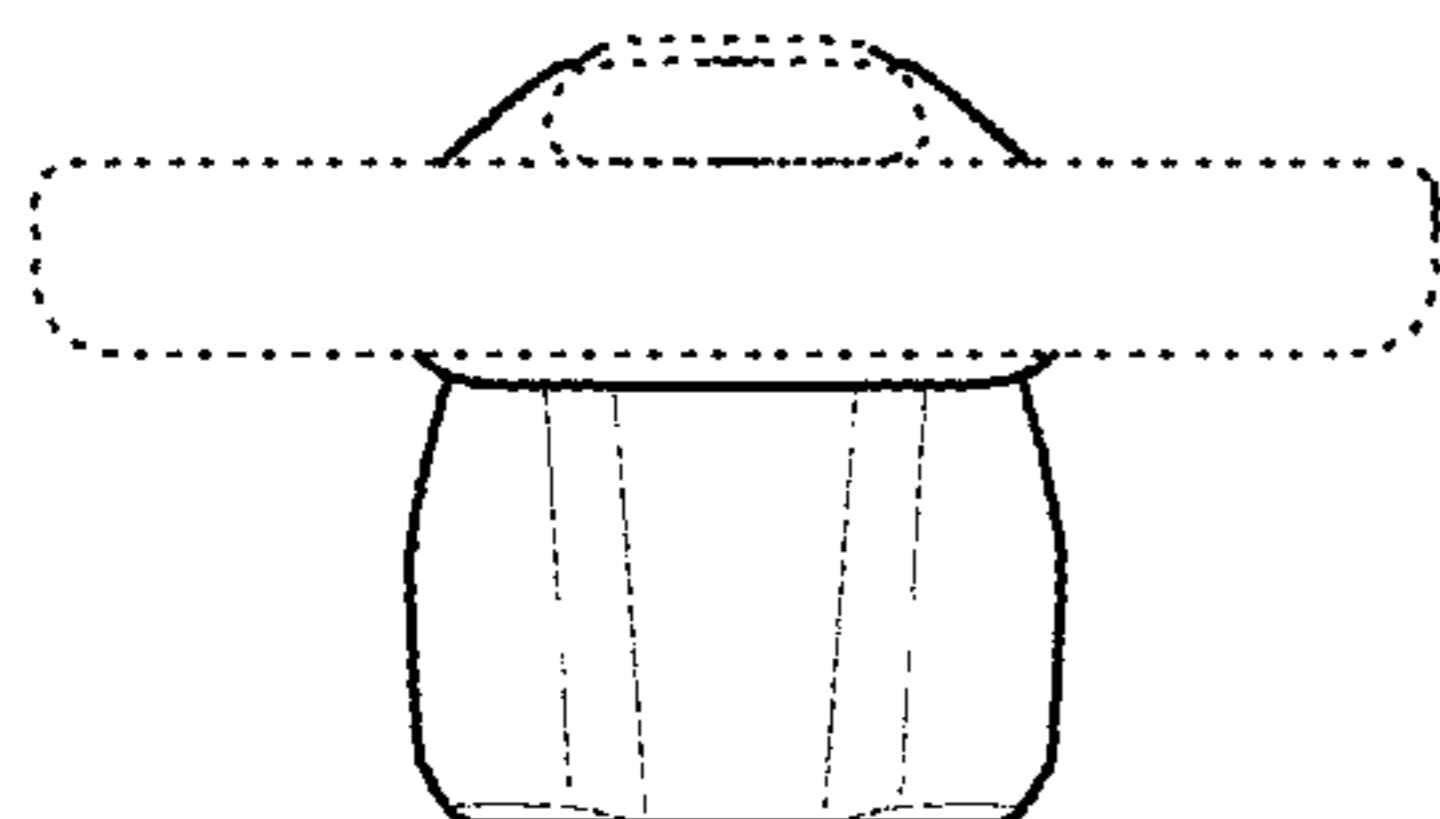


FIG. 3

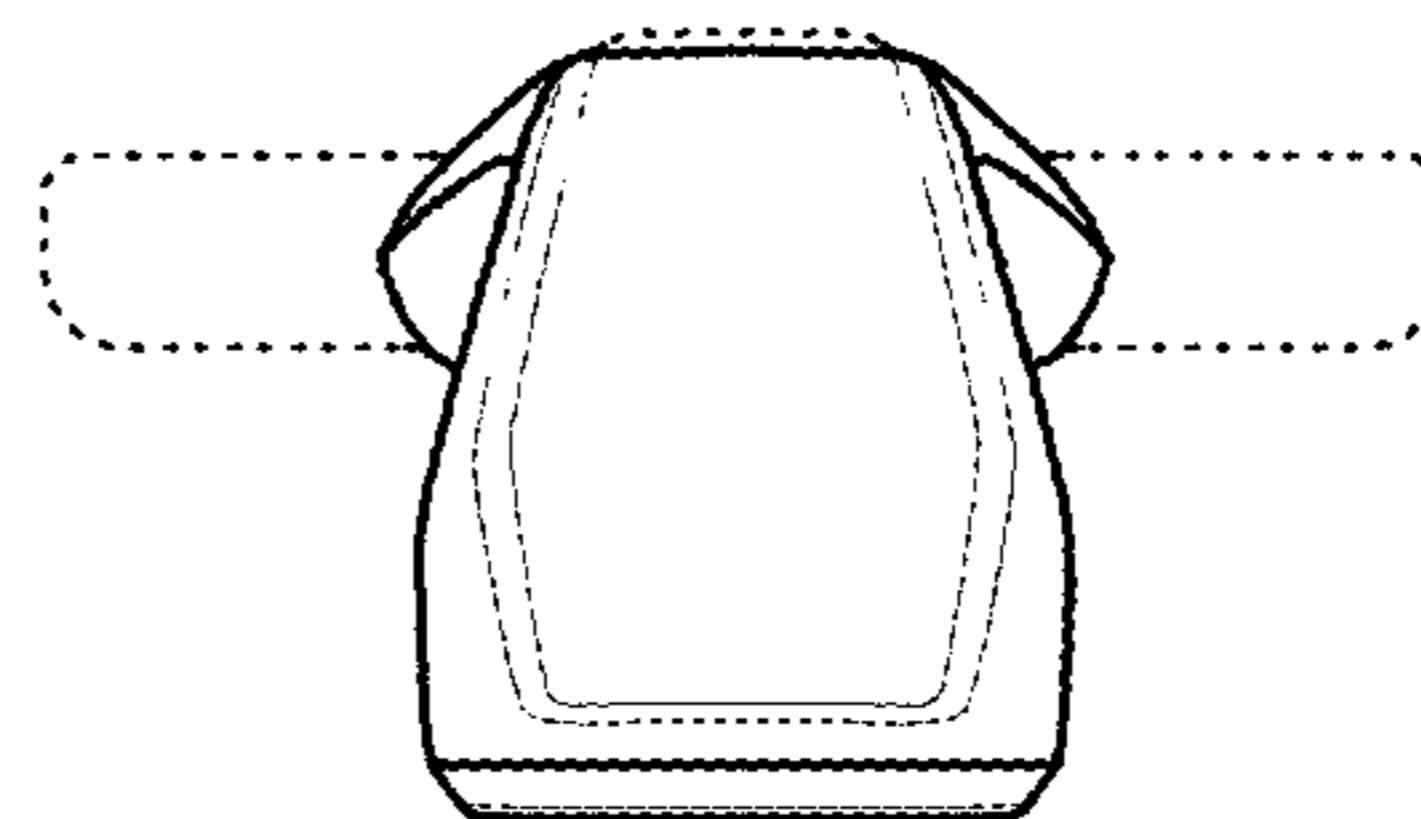


FIG. 4

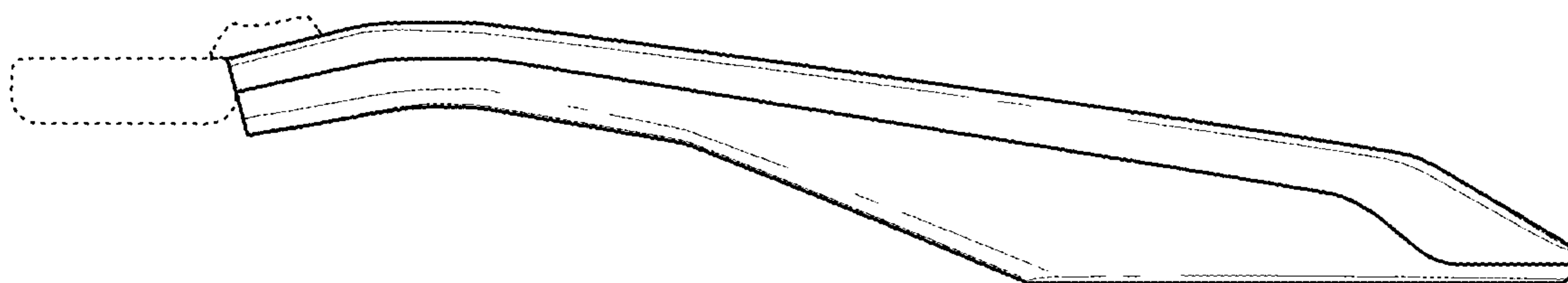


FIG. 5

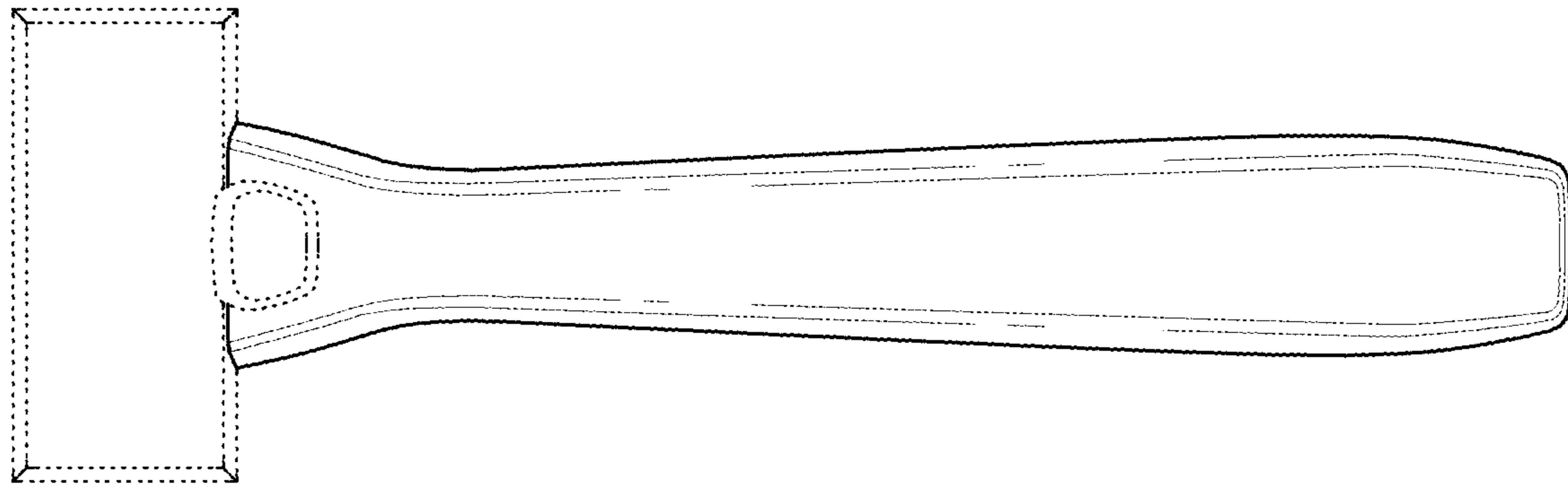


FIG. 6

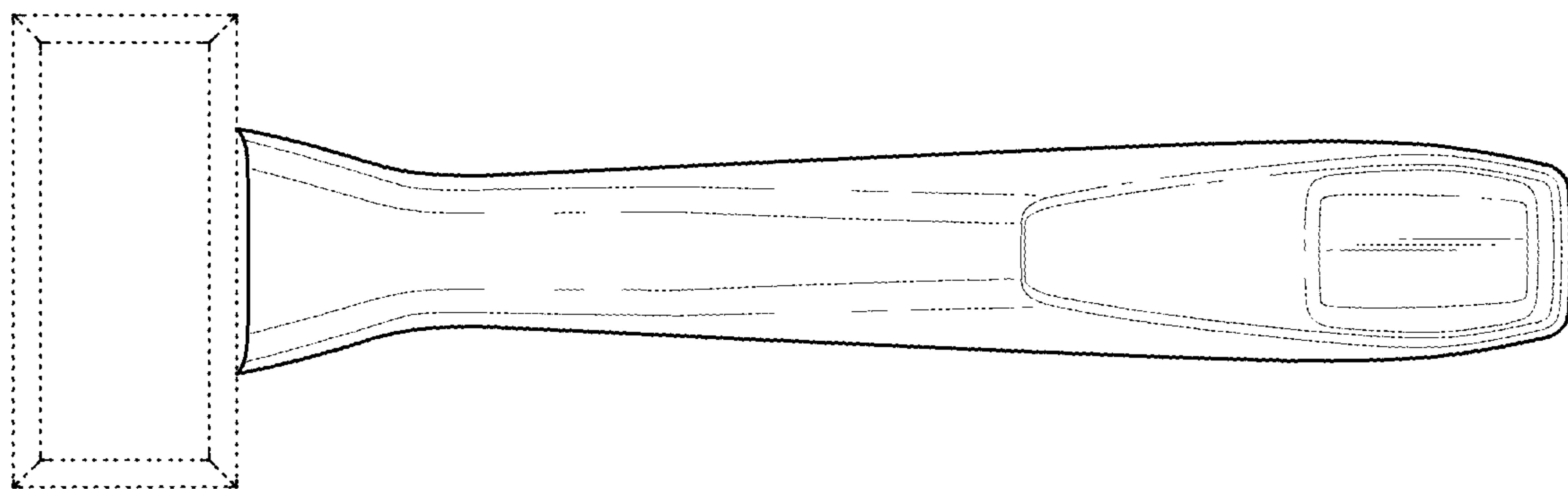


FIG. 7