



US00D986502S

(12) **United States Design Patent**  
**Kim**

(10) **Patent No.:** **US D986,502 S**

(45) **Date of Patent:** **\*\* May 16, 2023**

(54) **SHAMPOO HEADREST**

(71) Applicant: **Hyoung-Sub Kim**, Incheon (KR)

(72) Inventor: **Hyoung-Sub Kim**, Incheon (KR)

(\*\*) Term: **15 Years**

(21) Appl. No.: **29/749,073**

(22) Filed: **Sep. 2, 2020**

(30) **Foreign Application Priority Data**

Jun. 17, 2020 (KR) ..... 30-2020-0027306

(51) **LOC (14) Cl.** ..... **28-03**

(52) **U.S. Cl.**  
USPC ..... **D28/20**

(58) **Field of Classification Search**  
USPC ..... D28/10, 15, 17, 20  
CPC ..... A45D 19/00; A45D 19/06; A45D 19/08;  
A45D 44/10  
See application file for complete search history.

(56) **References Cited**

**U.S. PATENT DOCUMENTS**

D173,813 S \* 1/1955 Militana ..... D28/20  
D227,847 S \* 7/1973 Molle ..... D28/20

D267,669 S \* 1/1983 Pounds ..... D28/20  
D273,142 S \* 3/1984 Briggs ..... D23/289  
D376,034 S \* 11/1996 Willis ..... D28/20  
D621,093 S \* 8/2010 Jenkins ..... D28/20  
D639,506 S \* 6/2011 Landsberger ..... D28/20  
D804,095 S \* 11/2017 Platt ..... D28/20

\* cited by examiner

*Primary Examiner* — Zenia I Bennett

(74) *Attorney, Agent, or Firm* — Rabin & Berdo, P.C.

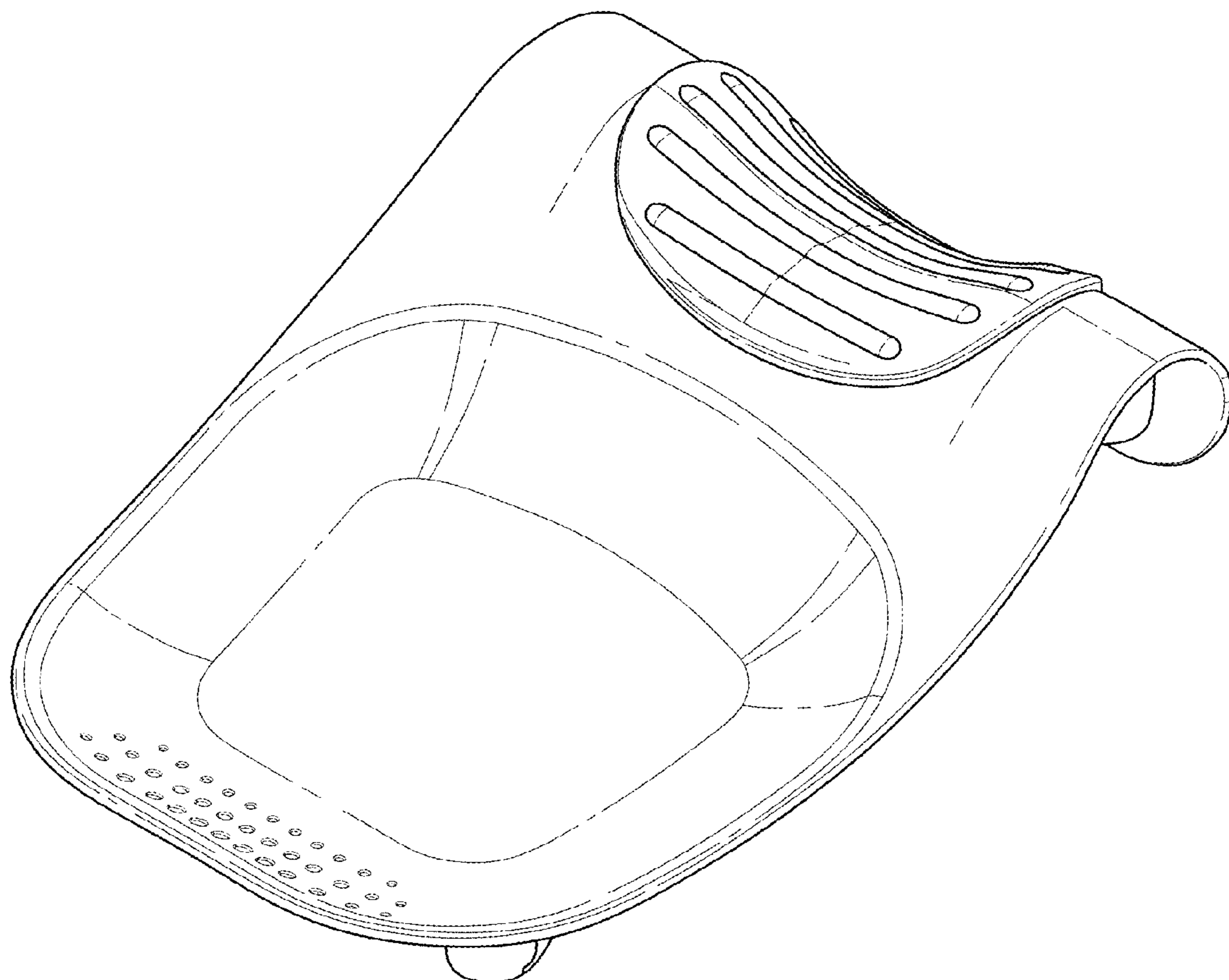
(57) **CLAIM**

The ornamental design for a shampoo headrest, as shown and described.

**DESCRIPTION**

FIG. 1 is a perspective view of a shampoo headrest showing my new design;  
FIG. 2 is a front elevational view thereof;  
FIG. 3 is a rear elevational view thereof;  
FIG. 4 is a left side elevational view thereof, the right side being a mirror image;  
FIG. 5 is a top plan view thereof; and,  
FIG. 6 is a bottom view thereof.  
The broken lines depicting portions of the shampoo headrest in the drawing are for illustrative purposes only and form no part of the claimed design.

**1 Claim, 5 Drawing Sheets**



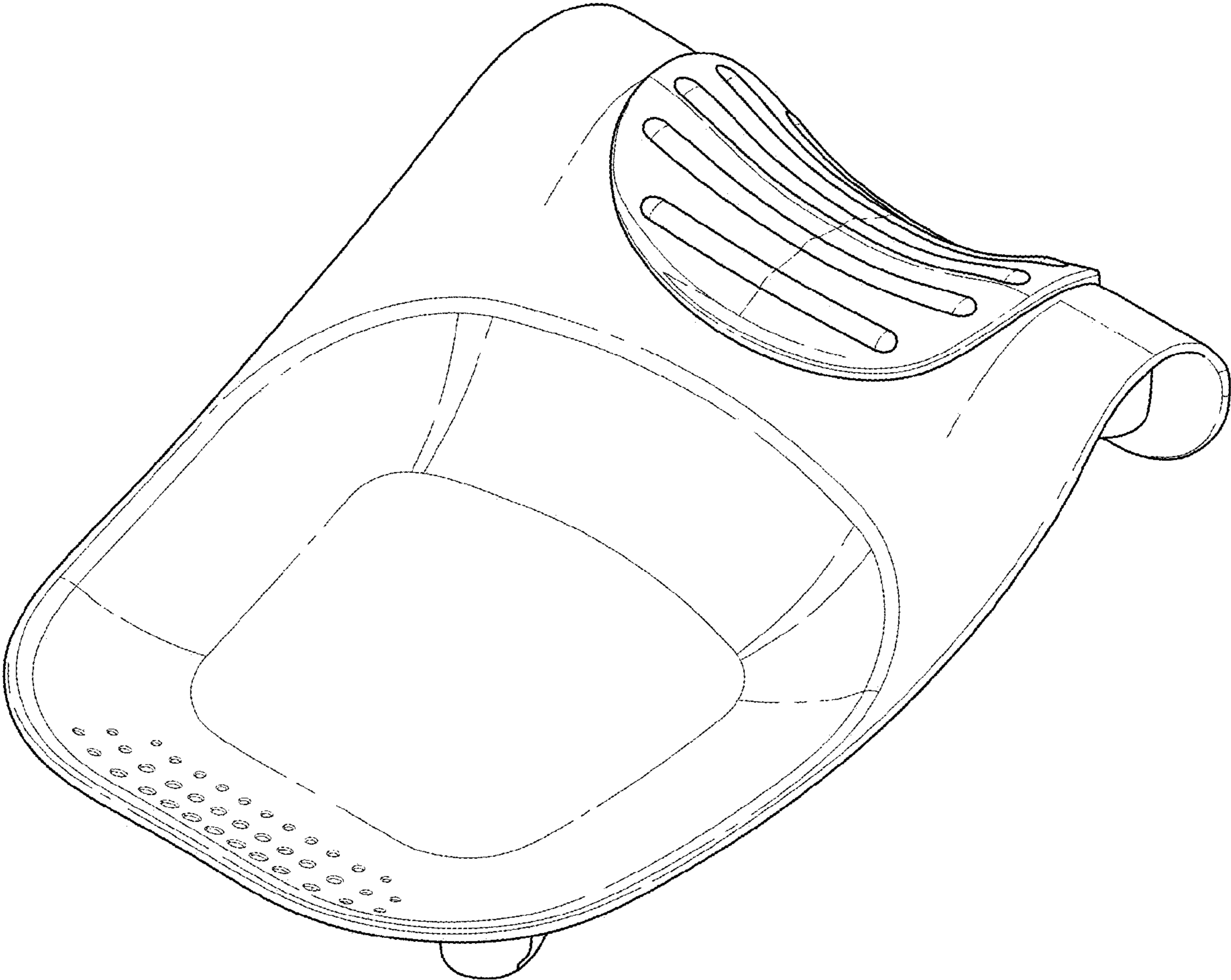


FIG. 1

FIG. 2

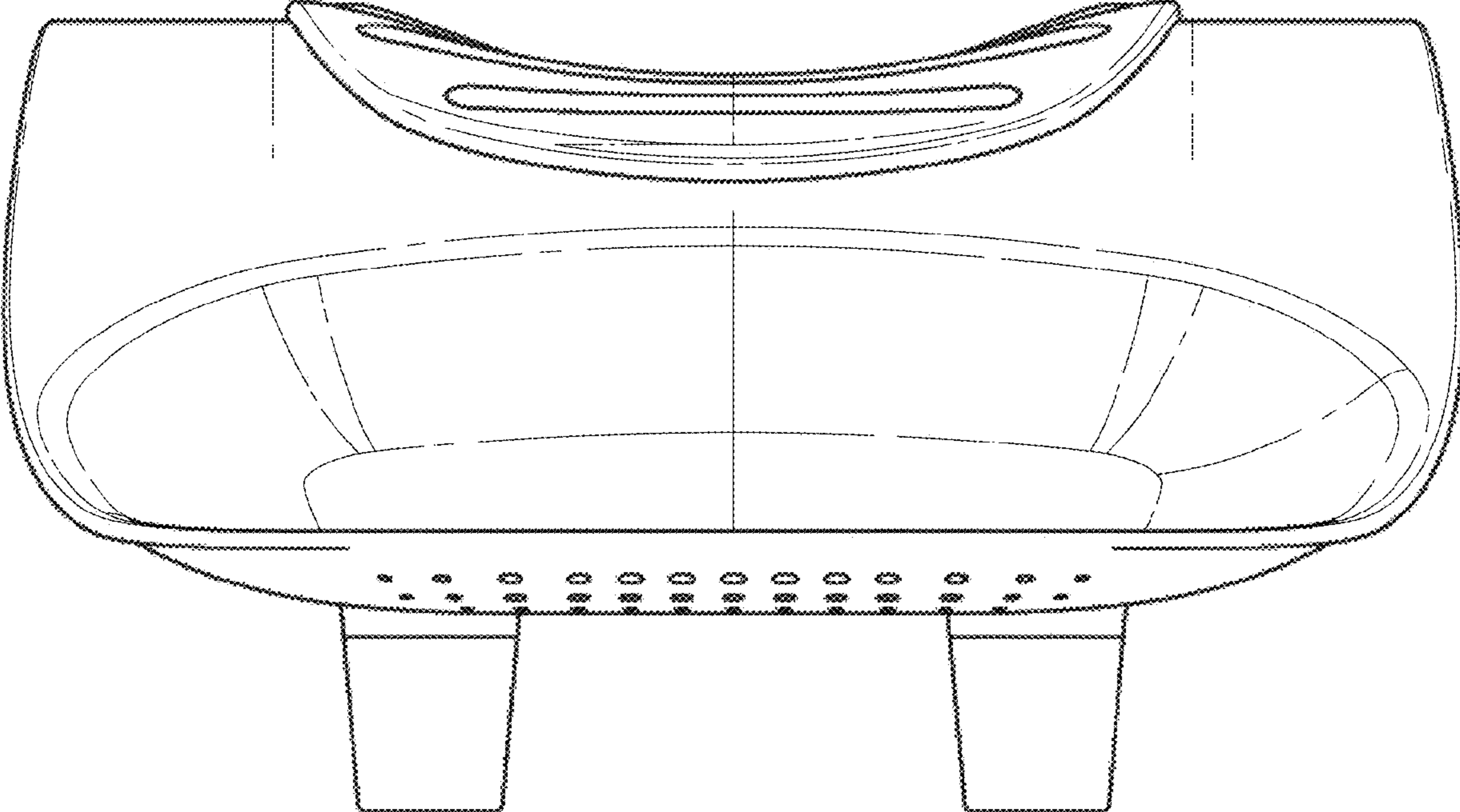


FIG. 3

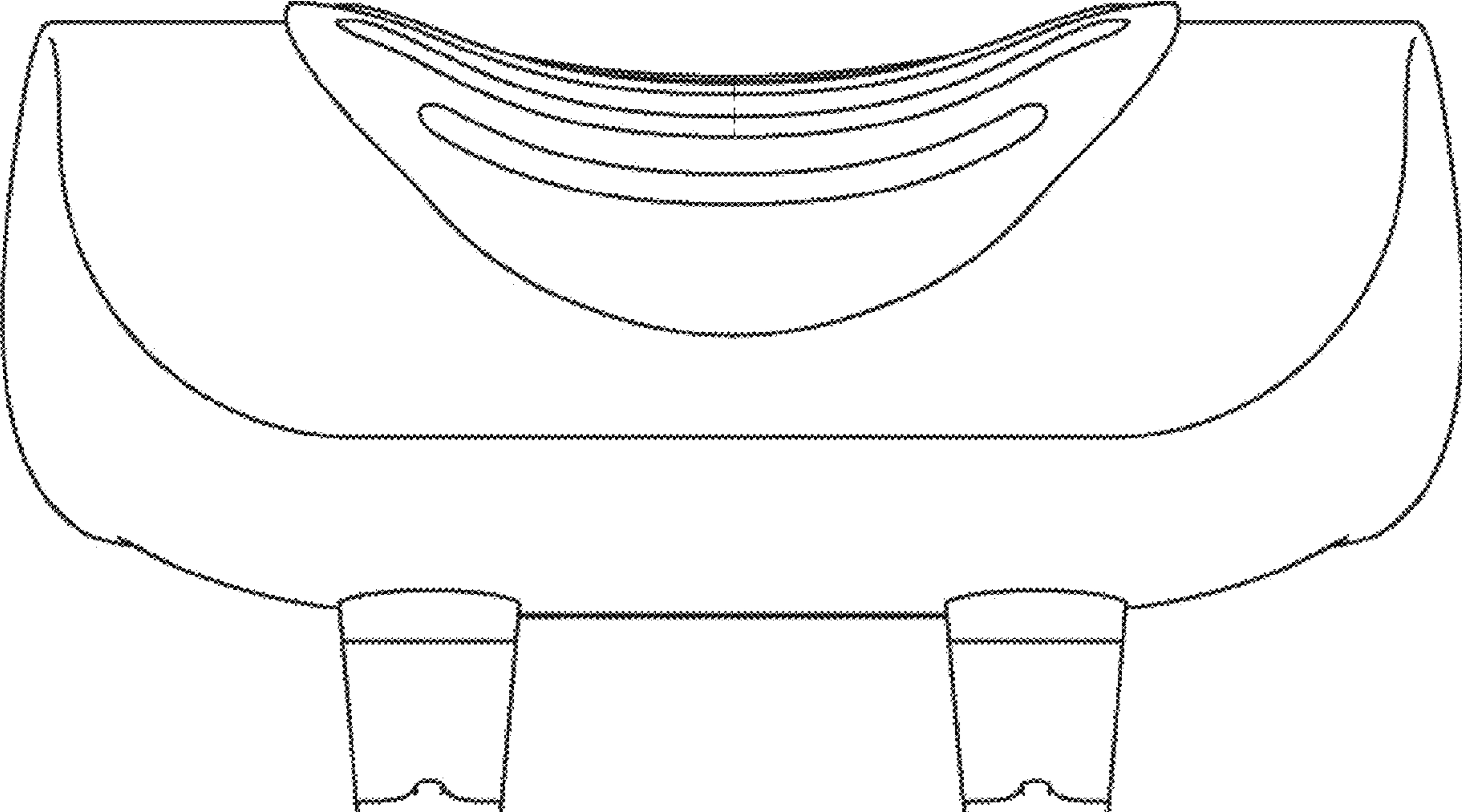


FIG. 4

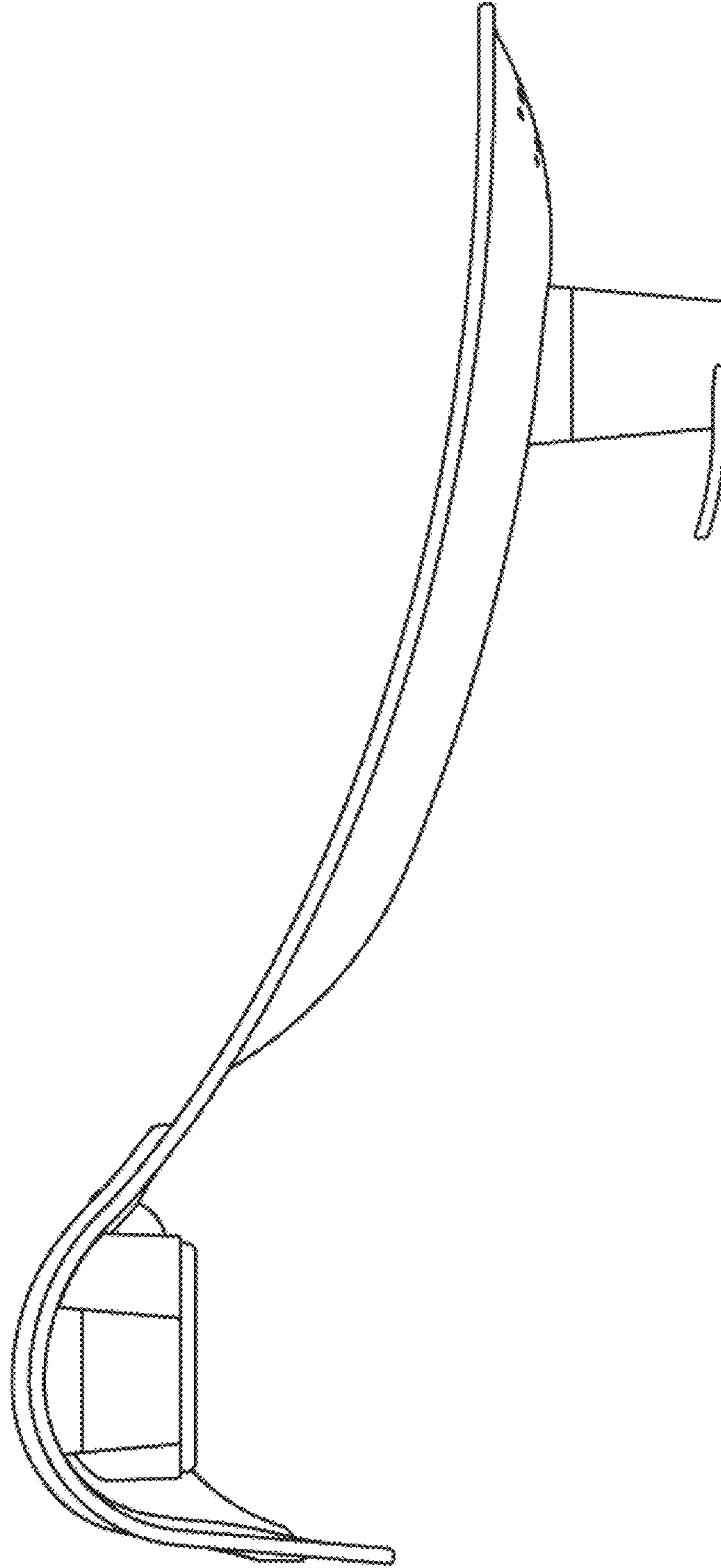


FIG. 5

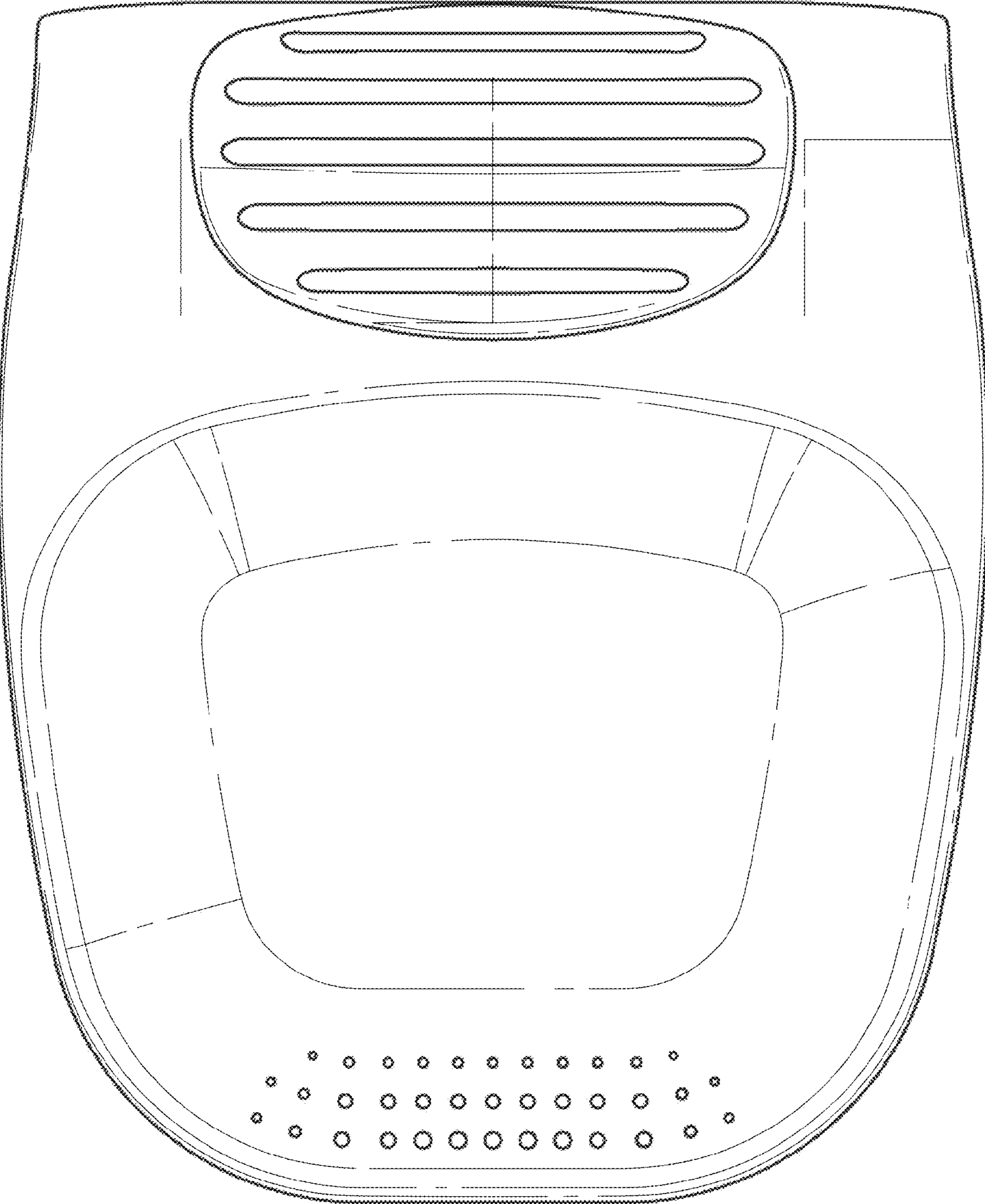


FIG. 6

