



US00D986500S

(12) **United States Design Patent**  
**Chen**

(10) **Patent No.:** **US D986,500 S**

(45) **Date of Patent:** **\*\* May 16, 2023**

(54) **HAIR DRYER**

(71) Applicant: **ZHEJIANG SIMON INDUSTRY & TRADE CO., LTD.**, Yongkang (CN)

(72) Inventor: **Huawei Chen**, Yongkang (CN)

(73) Assignee: **Zhejiang Simon Industry & Trade Co., Ltd.**, Yongkang (CN)

(\*\*) Term: **15 Years**

(21) Appl. No.: **29/782,727**

(22) Filed: **May 8, 2021**

(51) **LOC (14) Cl.** ..... **28-03**

(52) **U.S. Cl.**  
USPC ..... **D28/13**

(58) **Field of Classification Search**  
USPC ..... D28/12-19; D8/29.1  
CPC ..... A45D 20/00; A45D 20/04; A45D 20/08;  
A45D 20/10; A45D 20/12; A45D  
2020/128

See application file for complete search history.

(56) **References Cited**

**U.S. PATENT DOCUMENTS**

D253,012 S \* 9/1979 Rakocy ..... D28/16  
D257,492 S \* 11/1980 Cousins ..... D28/13

D901,768 S \* 11/2020 Ceva ..... D28/13  
D931,531 S \* 9/2021 Chen ..... D28/13  
D933,291 S \* 10/2021 Huang ..... D28/13  
D945,702 S \* 3/2022 José'Ceva ..... D28/13

\* cited by examiner

*Primary Examiner* — Zenia I Bennett

(57) **CLAIM**

The ornamental design for a hair dryer, as shown and described.

**DESCRIPTION**

FIG. 1 is a front perspective view of a hair dryer showing my new design;

FIG. 2 is a rear perspective view thereof;

FIG. 3 is a front view thereof;

FIG. 4 is a rear view thereof;

FIG. 5 is a left side view thereof;

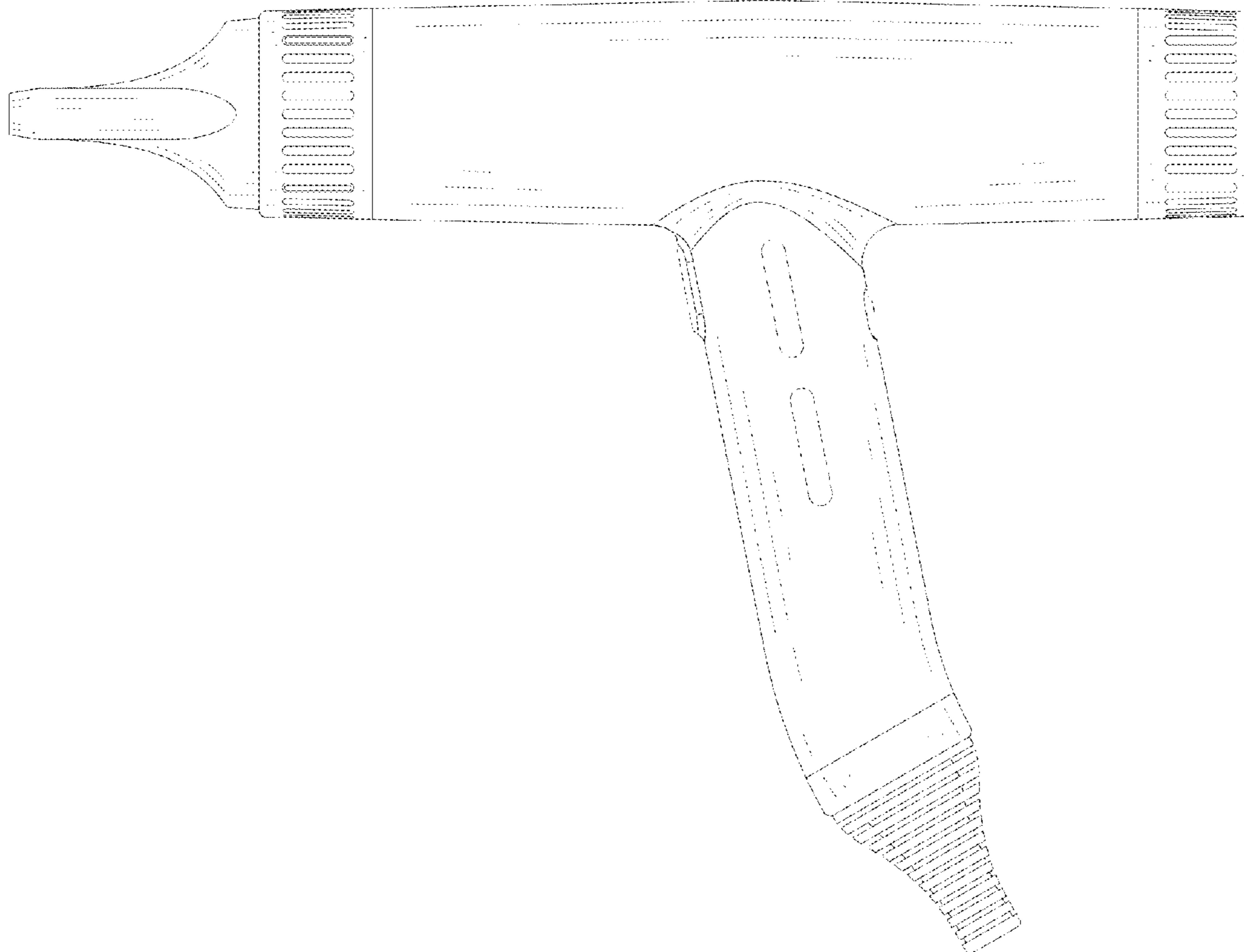
FIG. 6 is a right side view thereof;

FIG. 7 is a top view thereof; and,

FIG. 8 is a bottom view thereof.

The broken lines depict portions of the hair dryer in which the design is embodied that form no part of the claimed design.

**1 Claim, 8 Drawing Sheets**



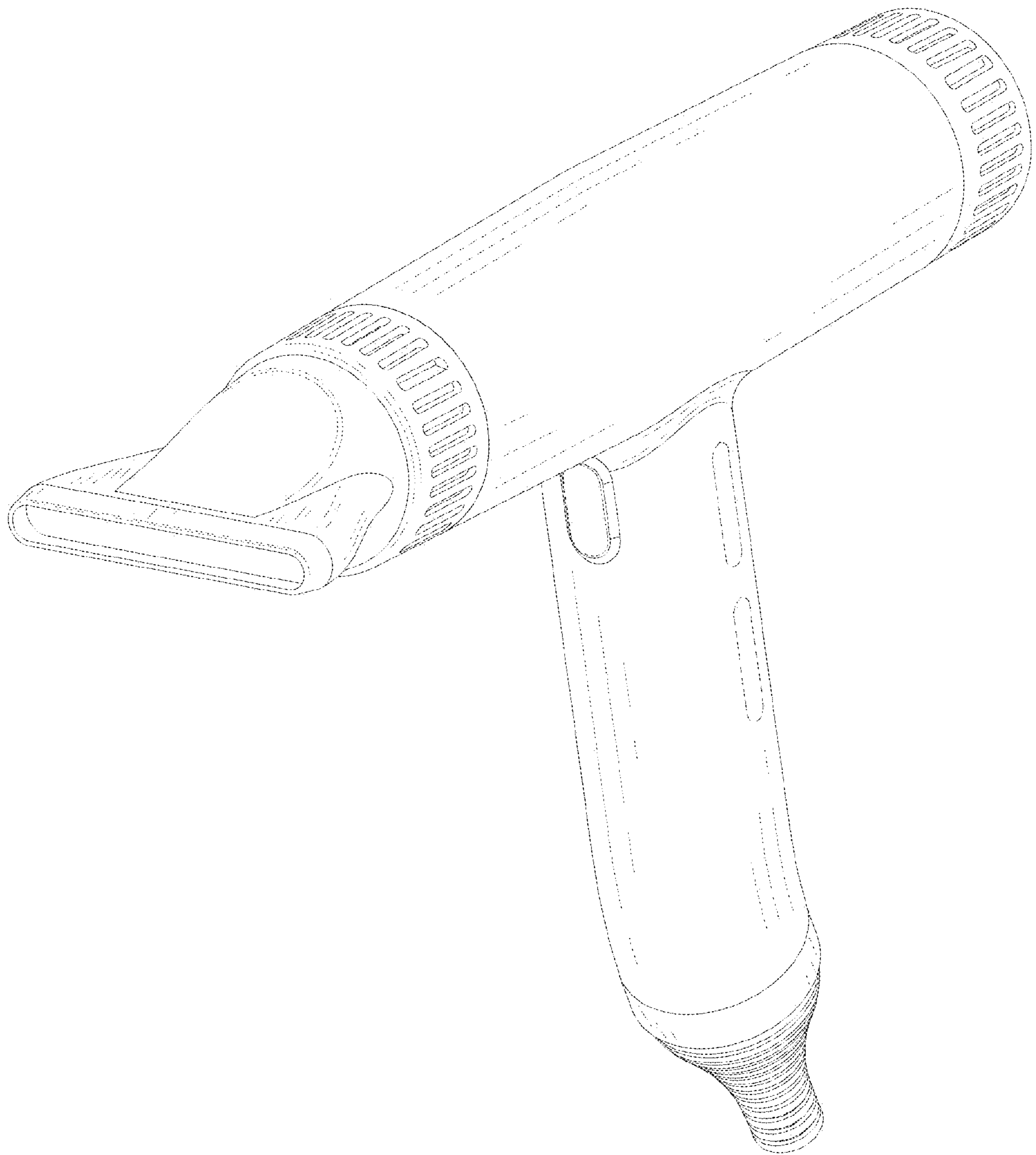


FIG. 1

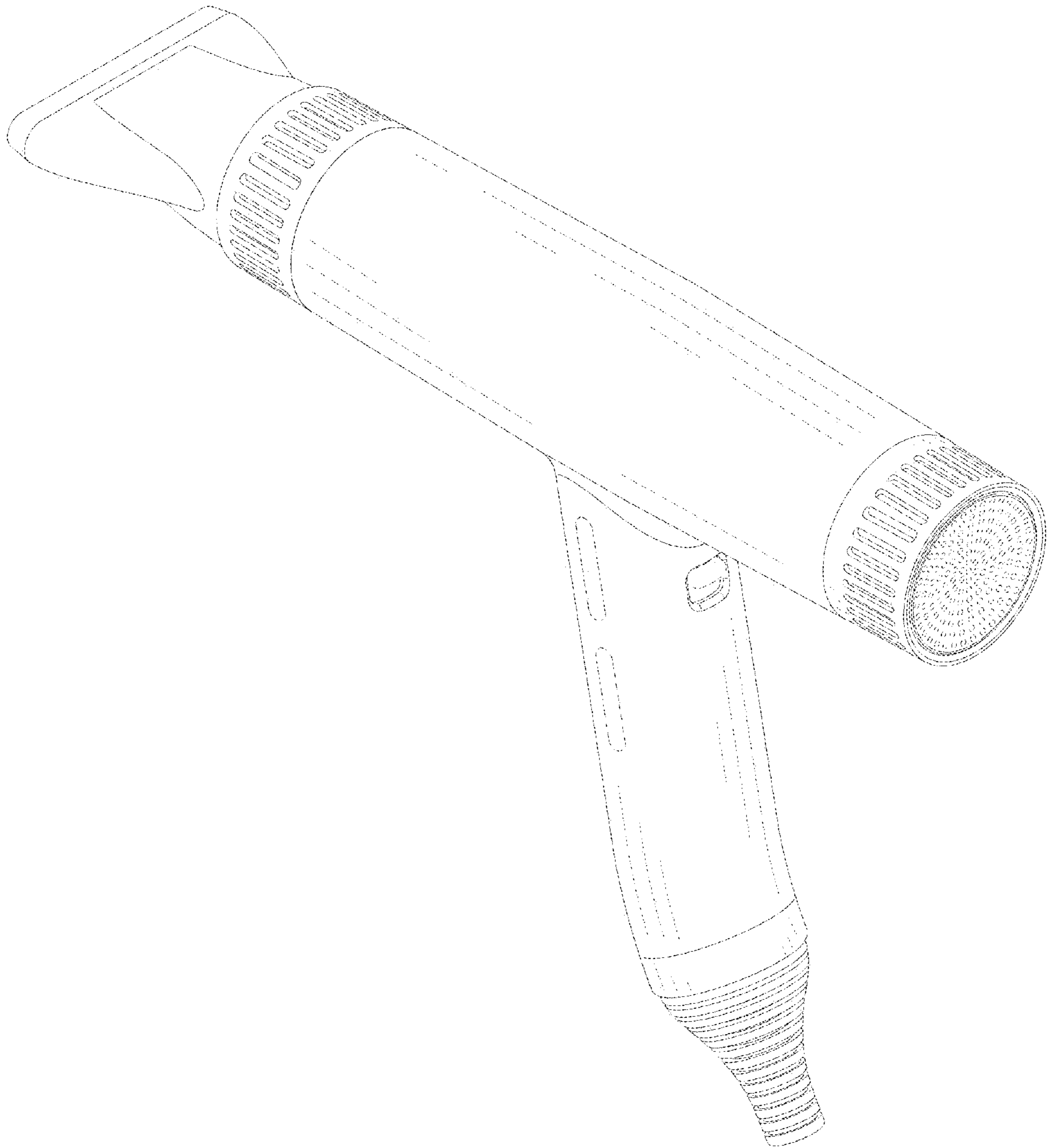


FIG. 2

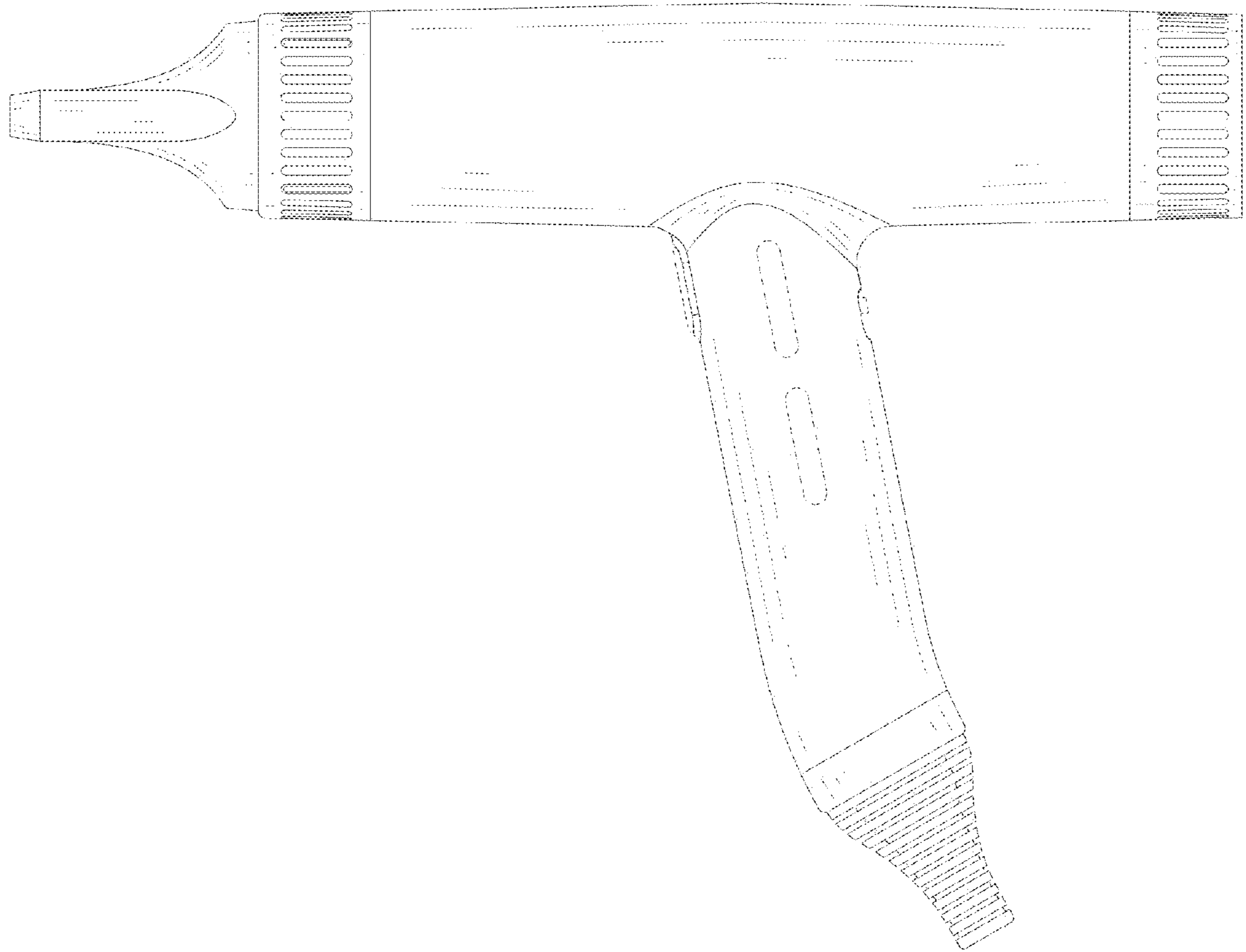


FIG. 3

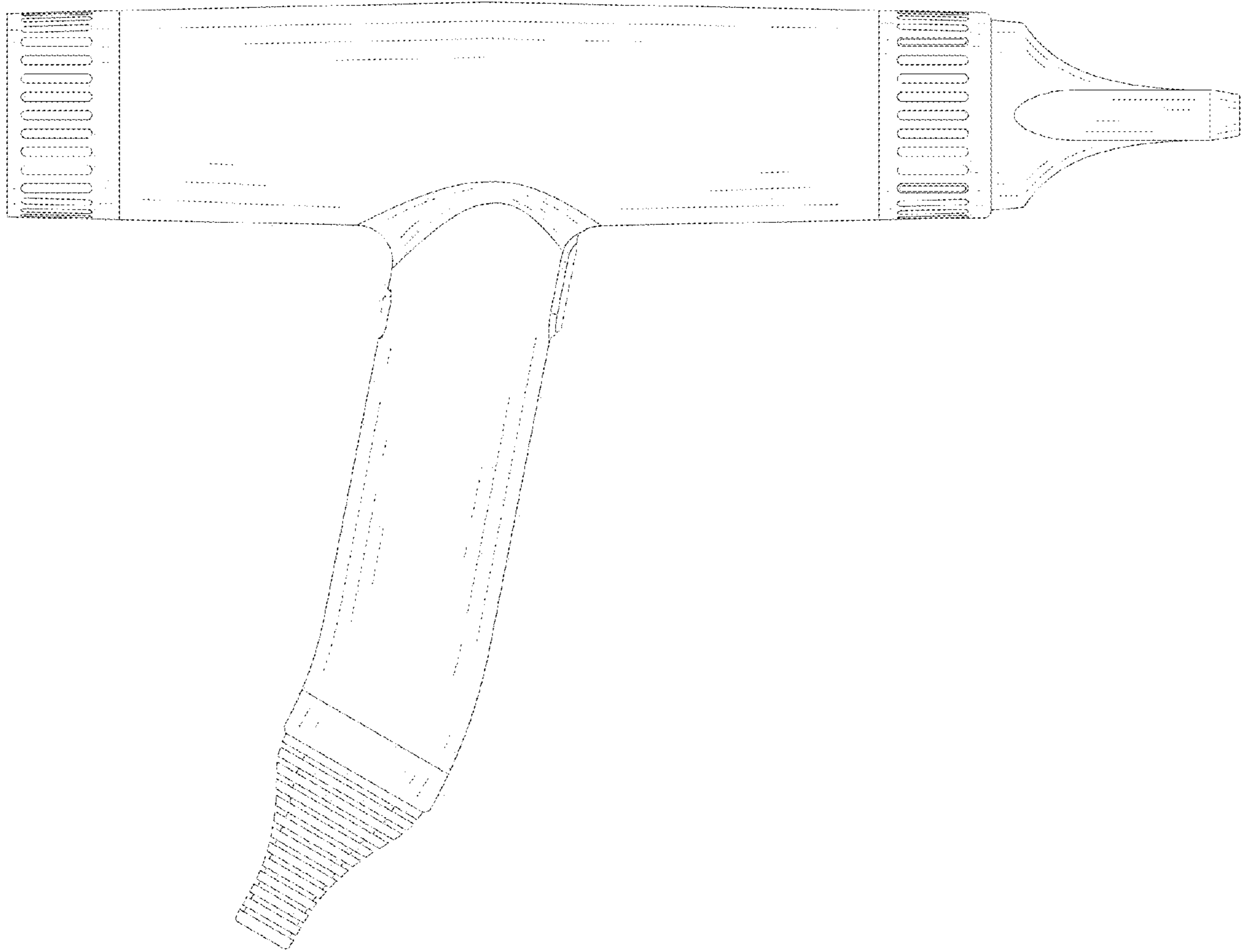


FIG. 4

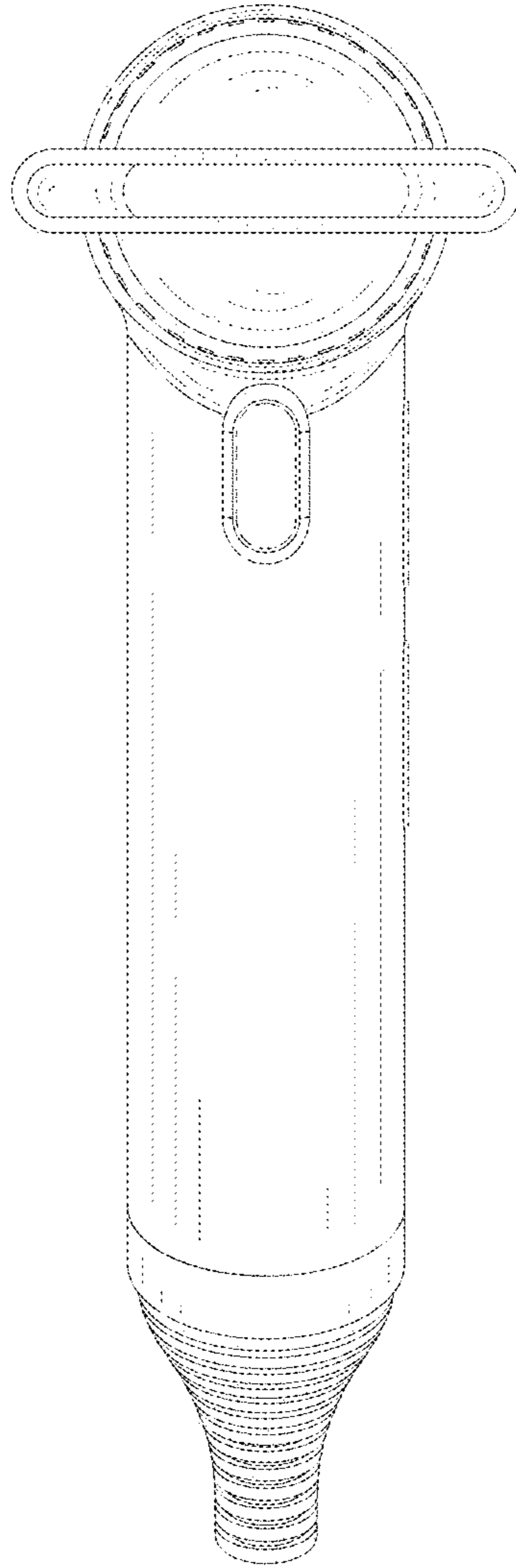


FIG. 5

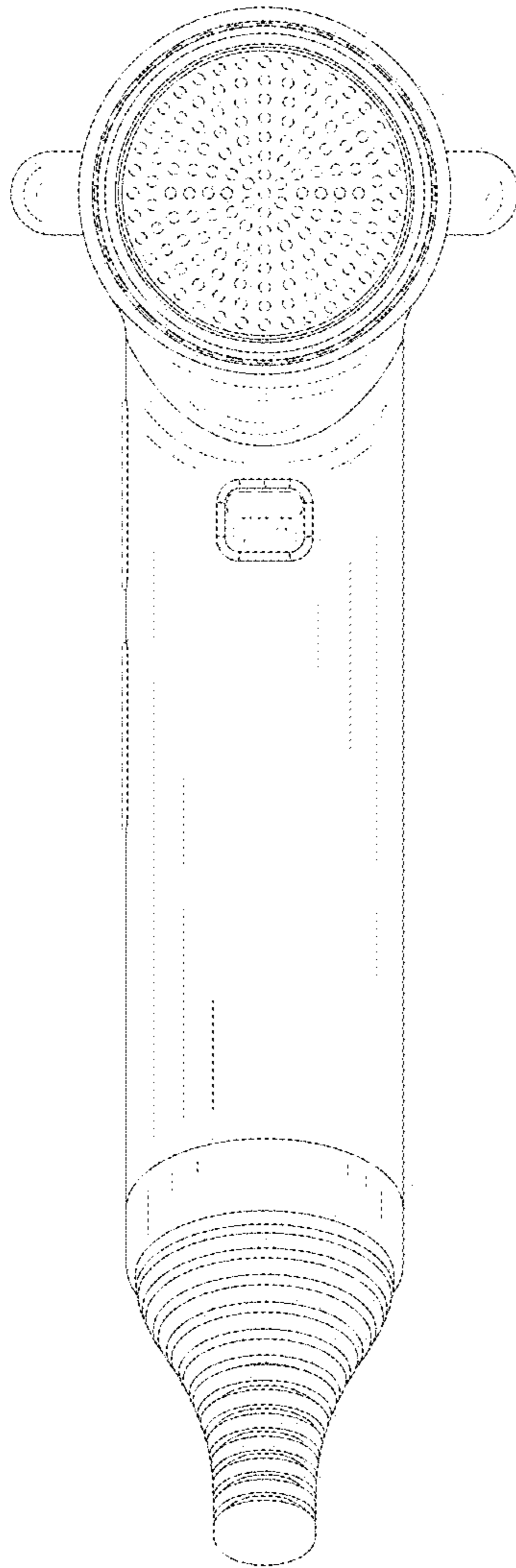


FIG. 6

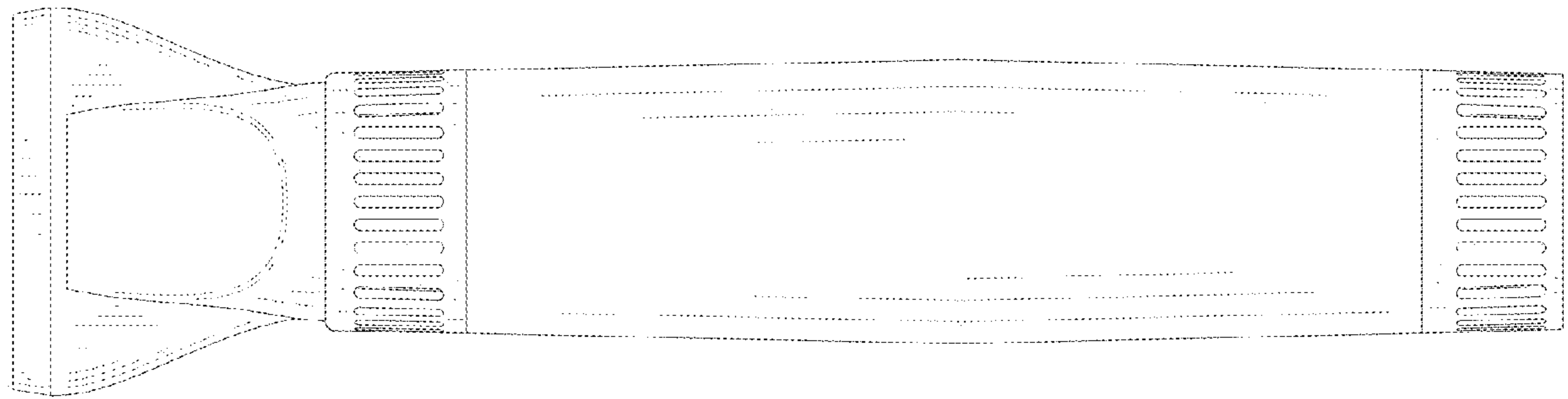


FIG. 7



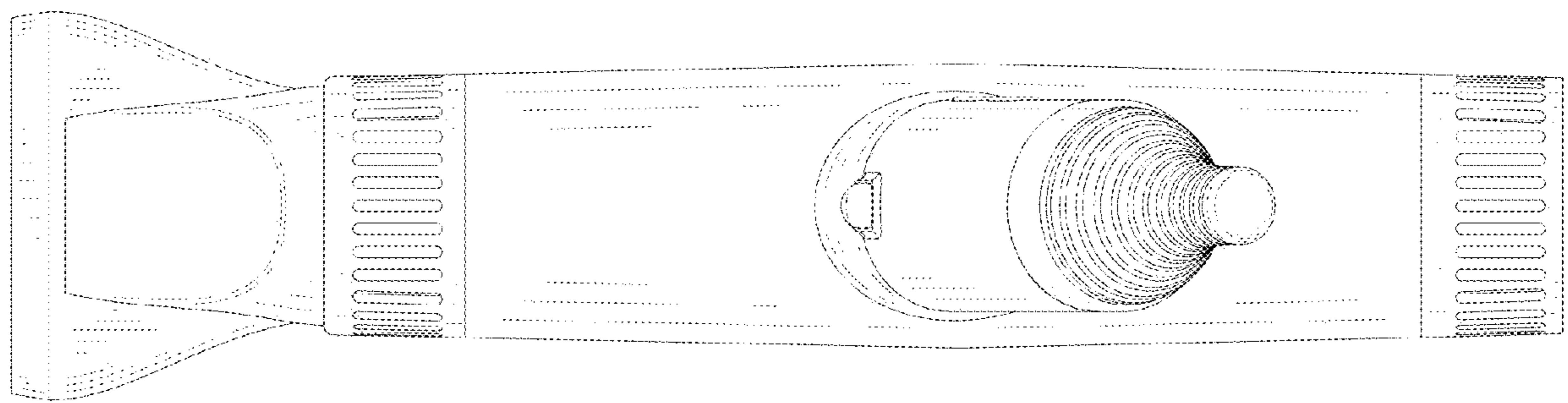


FIG. 8