



US00D986499S

(12) **United States Design Patent** (10) **Patent No.:** **US D986,499 S**  
**Tani** (45) **Date of Patent:** **\*\* May 16, 2023**

(54) **APPLICATOR TIP FOR A COSMETIC CONTAINER**

2006/0198686 A1\* 9/2006 Hetzel ..... A45D 34/00  
401/47

(71) Applicant: **TOKIWA CORPORATION**, Gifu (JP)

\* cited by examiner

(72) Inventor: **Yoshikazu Tani**, Saitama (JP)

*Primary Examiner* — Zenia I Bennett

(73) Assignee: **TOKIWA CORPORATION**, Gifu (JP)

(74) *Attorney, Agent, or Firm* — Paratus Law Group, PLLC

(\*\*) Term: **15 Years**

(57) **CLAIM**

The ornamental design for an applicator tip for a cosmetic container, as shown and described.

(21) Appl. No.: **29/811,180**

**DESCRIPTION**

(22) Filed: **Oct. 12, 2021**

(30) **Foreign Application Priority Data**

Apr. 13, 2021 (JP) ..... 2021-007695 D

(51) **LOC (14) Cl.** ..... **28-03**

(52) **U.S. Cl.**  
USPC ..... **D28/7**

(58) **Field of Classification Search**  
USPC ..... D28/4, 7, 9, 20, 76, 85; D19/36;  
D9/695, 697, 699  
CPC . A45D 40/20; A45D 40/24; A45D 2200/1072  
See application file for complete search history.

FIG. 1 is a perspective view of an applicator tip for a cosmetic container showing my new design;  
FIG. 2 is a front view thereof;  
FIG. 3 is a rear view thereof;  
FIG. 4 is a left side view thereof;  
FIG. 5 is a right side view thereof;  
FIG. 6 is a top view thereof;  
FIG. 7 is a bottom view thereof;  
FIG. 8 is an enlarged left side view thereof;  
FIG. 9 is an enlarged view in the portion within the dot-dot-dashed line box 9 in the FIG. 1 thereof;  
FIG. 10 is an enlarged cross-sectional view along the line 10-10 in the FIG. 2, in the portion within the dot-dot-dashed line box 10' in the FIG. 2 thereof;  
FIG. 11 is an enlarged cross-sectional view along the line 11-11 in the FIG. 6, in the portion within the dot-dot-dashed line box 11' in the FIG. 6 thereof; and,  
FIG. 12 is an enlarged view in the portion within the dot-dot-dashed line box 12 in the FIG. 7 thereof.  
The broken lines shown represent portions of the claimed design and form no part of the claimed design.  
The dot-dashed lines which define the bounds of the claimed design form no part of the claimed design.  
The dot-dot-dashed lines indicate the portions shown in enlargement views and form no part of the claimed design.

(56) **References Cited**

**U.S. PATENT DOCUMENTS**

D561,046 S *	2/2008	Kerman	.....	D9/697
D570,708 S *	6/2008	Kerman	.....	D9/697
D653,805 S *	2/2012	Tani	.....	D28/7
D693,059 S *	11/2013	Tani	.....	D28/7
9,155,372 B2 *	10/2015	Gieux	.....	A45D 34/04
9,215,921 B2 *	12/2015	Thiebaut	.....	A45D 40/26
D769,714 S *	10/2016	Kozu	.....	D9/434
9,578,949 B2 *	2/2017	Villarreal	.....	A45D 34/04
D797,371 S *	9/2017	Stadlbauer	.....	D28/7
2005/0047848 A1 *	3/2005	Carraher	.....	B65D 47/42 401/265

**1 Claim, 11 Drawing Sheets**

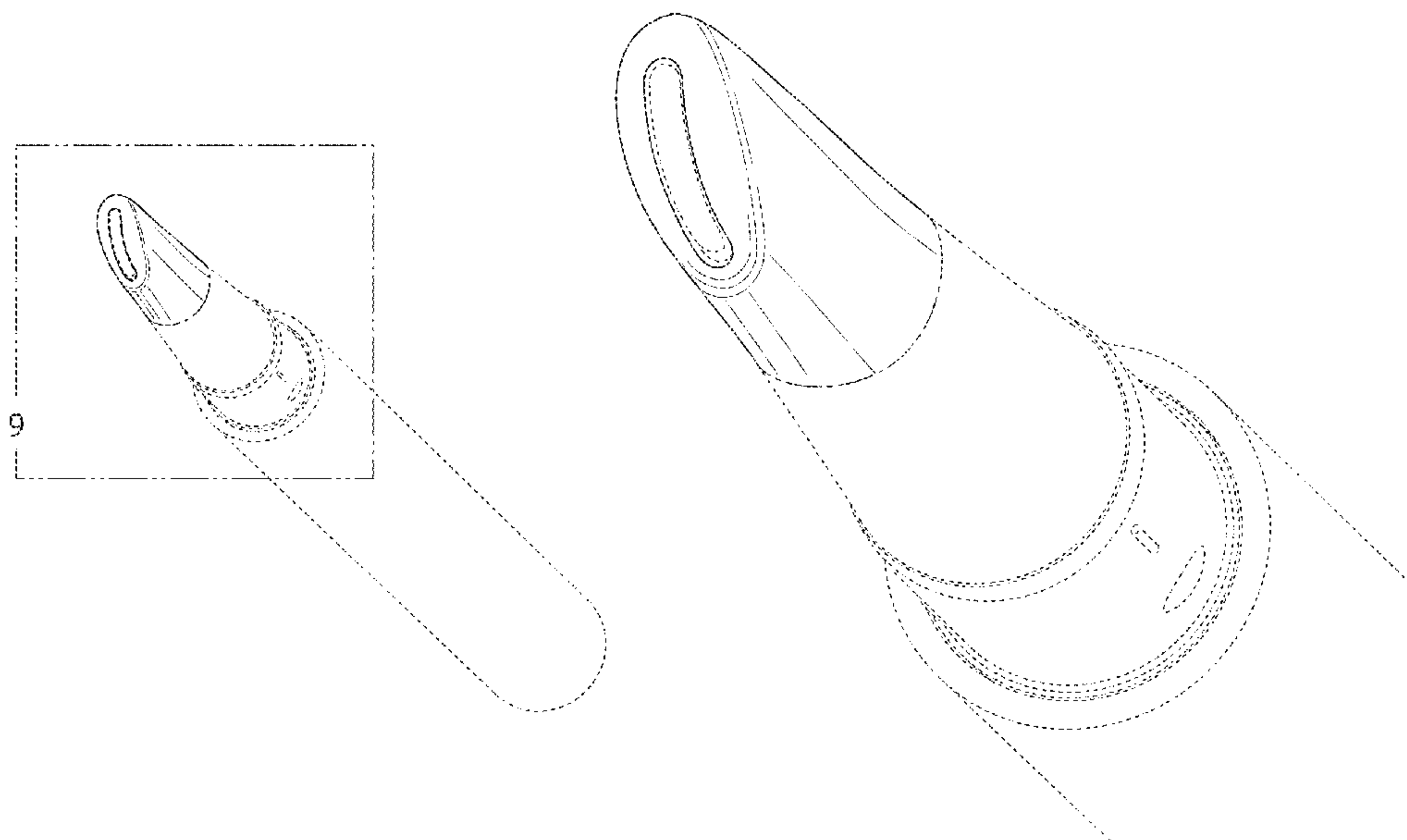


Fig. 1

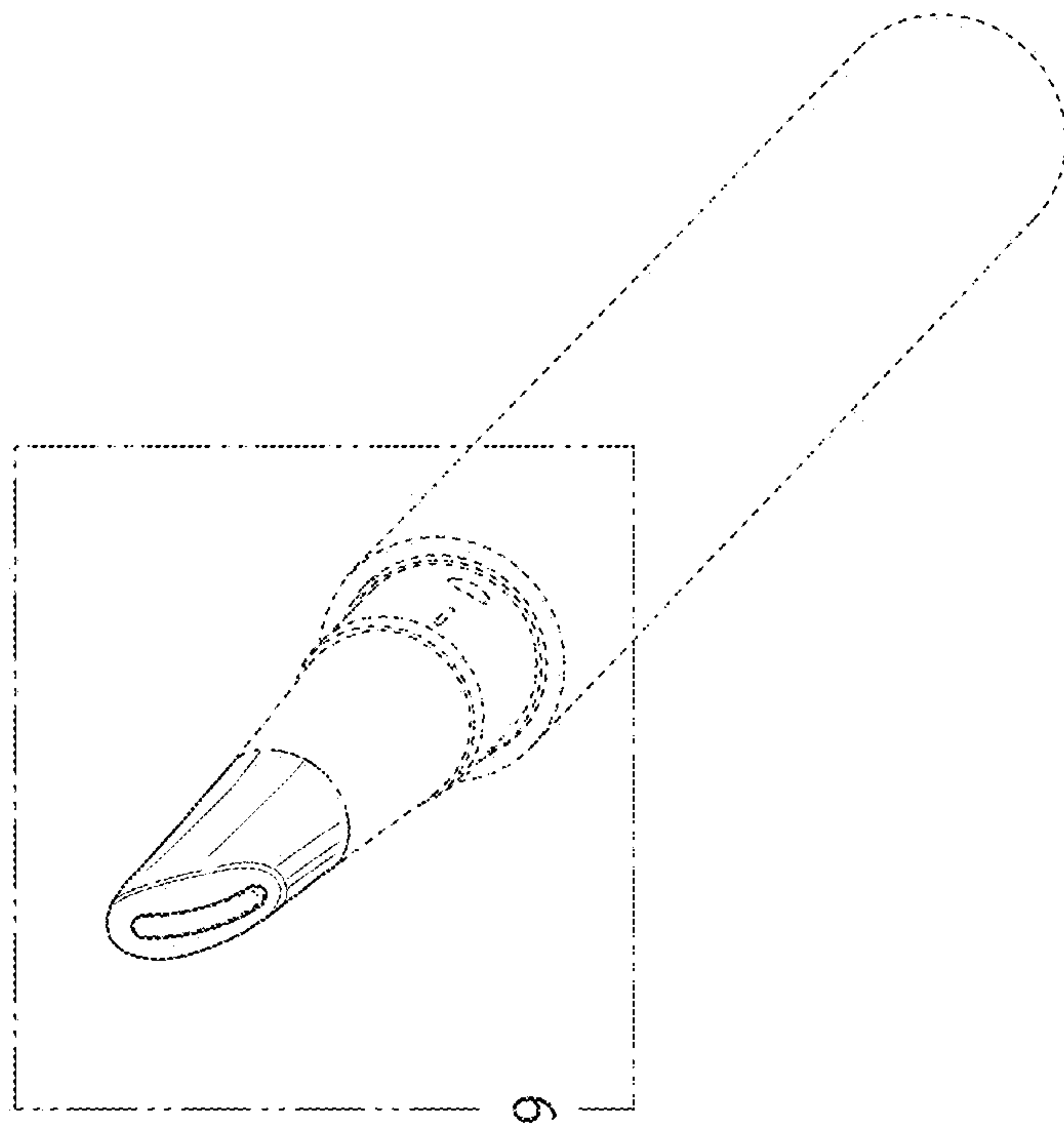


Fig. 2

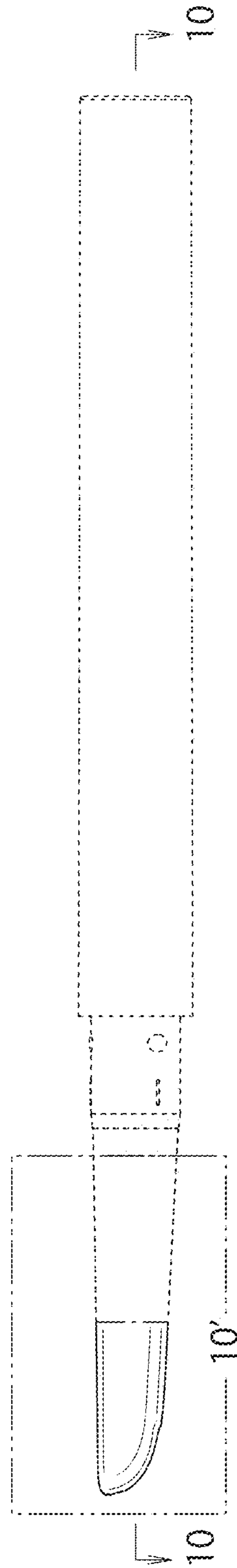


Fig. 3

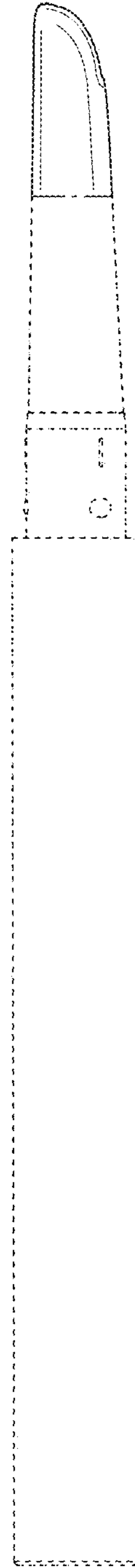


Fig. 5

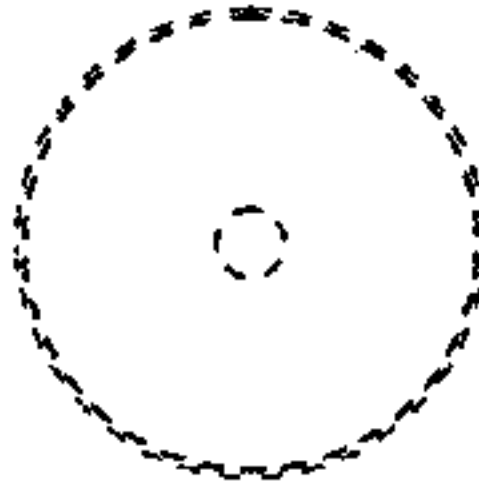


Fig. 4

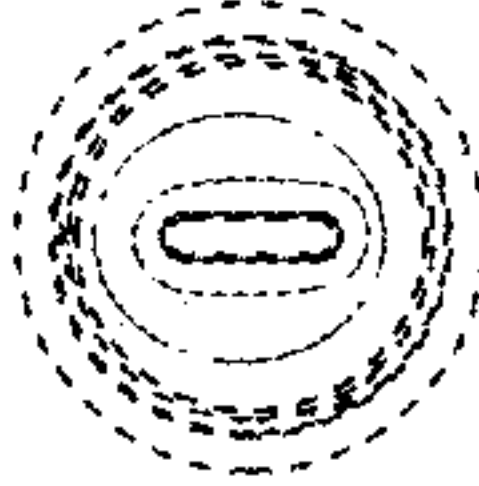


Fig. 6

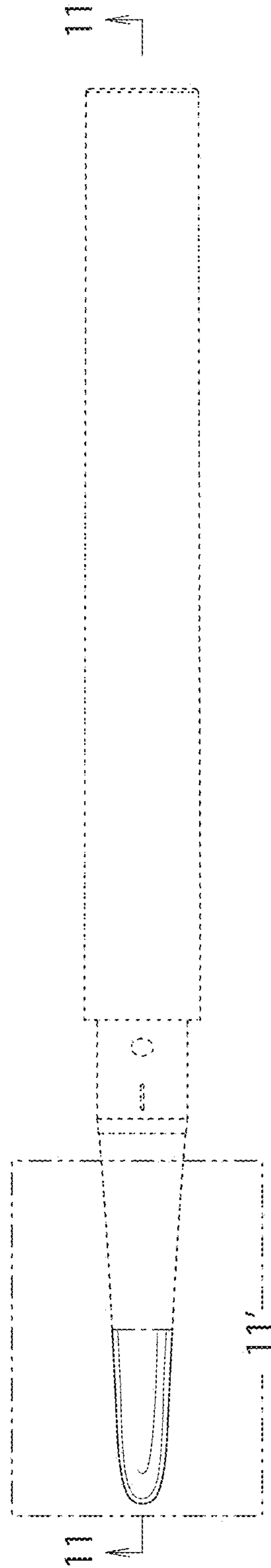


Fig. 7

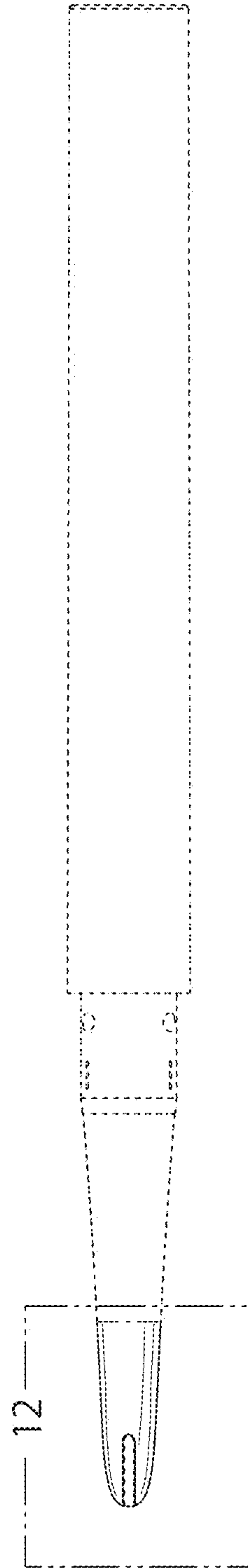
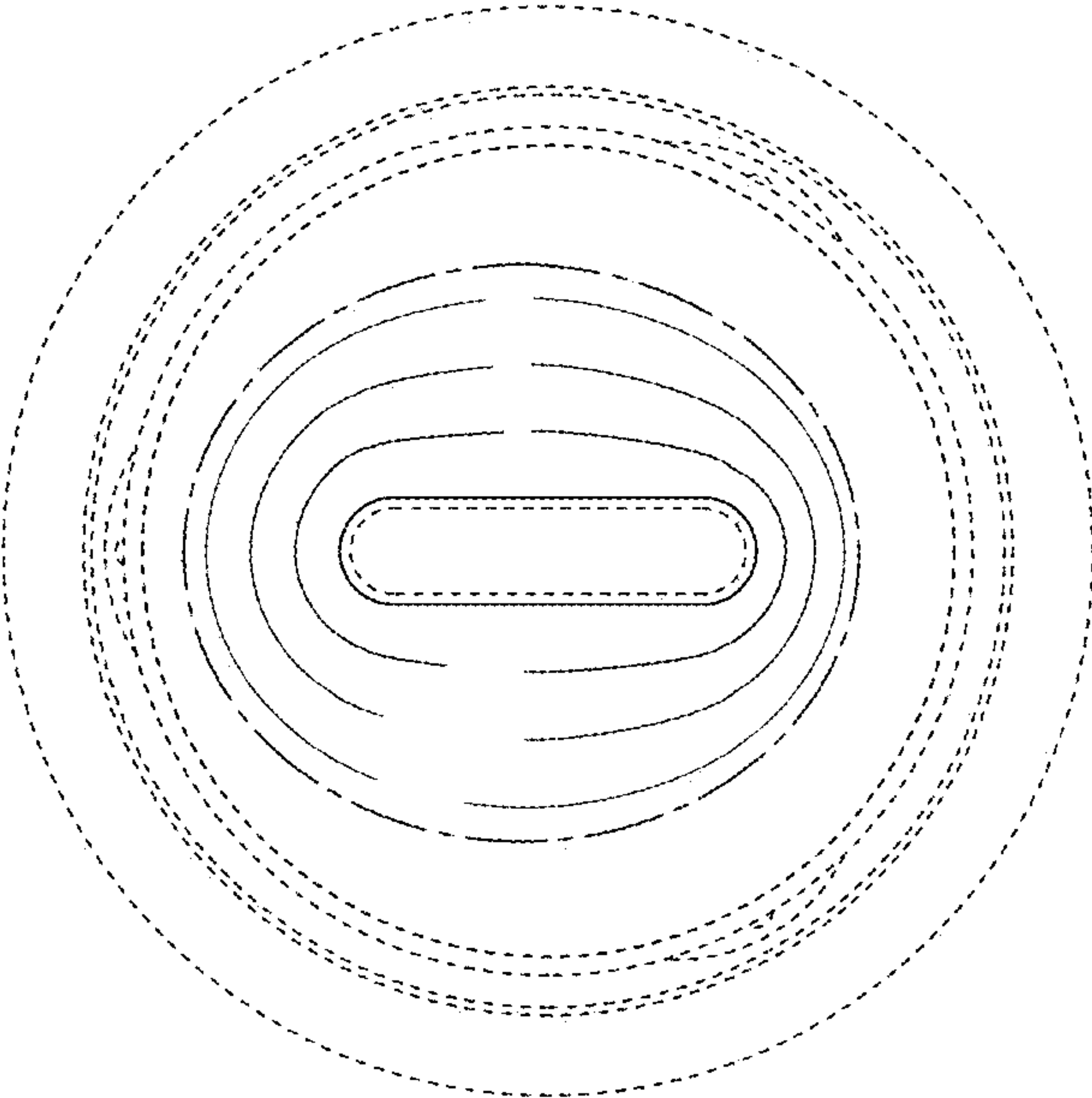


Fig. 8





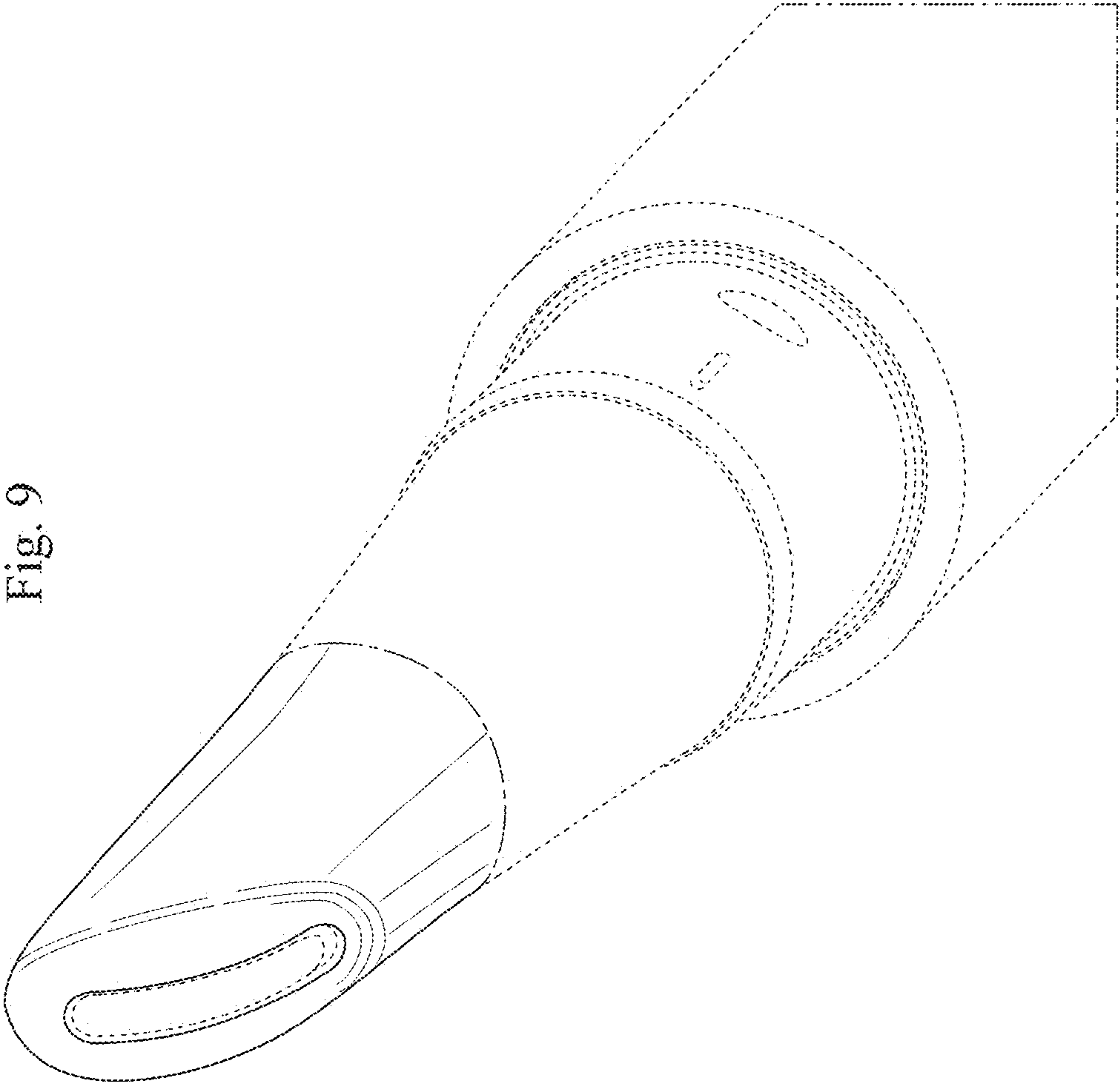


Fig. 9

Fig. 10

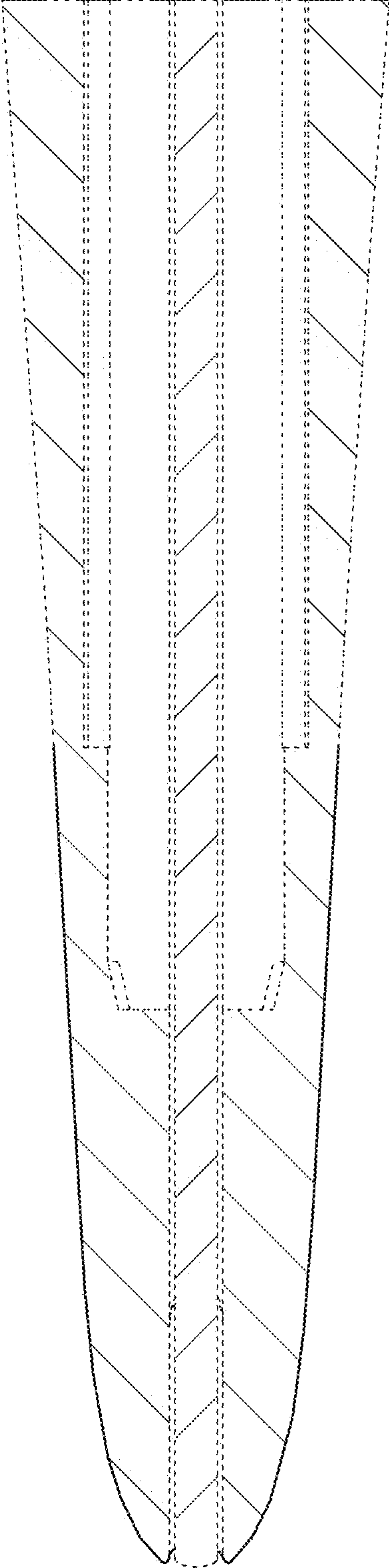


Fig. 11

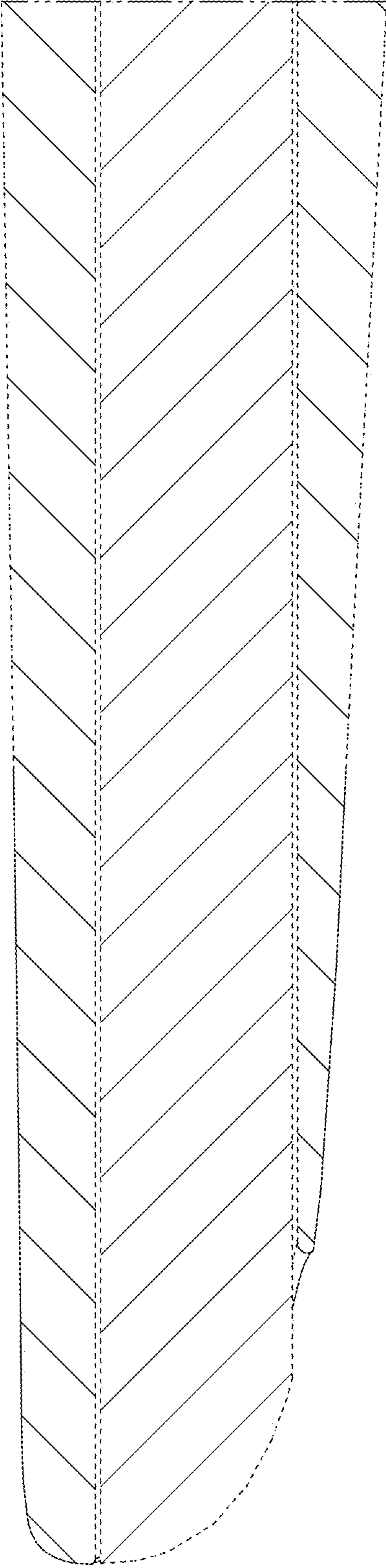


Fig. 12

