



US00D986496S

(12) **United States Design Patent** (10) **Patent No.:** **US D986,496 S**  
**Anthony** (45) **Date of Patent:** **\*\* May 16, 2023**

(54) **SMOKING DEVICE**  
(71) Applicant: **Dustin Anthony**, San Diego, CA (US)  
(72) Inventor: **Dustin Anthony**, San Diego, CA (US)  
(\*\*) Term: **15 Years**  
(21) Appl. No.: **29/751,983**  
(22) Filed: **Sep. 24, 2020**  
(51) **LOC (14) Cl.** ..... **27-99**  
(52) **U.S. Cl.**  
USPC ..... **D27/196**  
(58) **Field of Classification Search**  
USPC ..... D27/196, 194, 193, 170, 171; D8/300,  
D8/301  
CPC .... A24F 9/02; A24F 9/00; A24F 23/04; A24F  
5/04; A24F 5/10; F16K 31/60  
See application file for complete search history.

2009/0032034 A1 2/2009 Steinberg  
2009/0293888 A1 12/2009 Williams  
2021/0084968 A1\* 3/2021 Anthony ..... A24F 5/04  
2022/0061380 A1\* 3/2022 Abal-Sadeq ..... A24F 5/10

**OTHER PUBLICATIONS**

Acute Exposure Guideline Levels for Selected Airborne Chemicals: vol. 12, Committee on Acute Exposure Guideline Levels; Committee on Toxicology; Board on Environmental Studies and Toxicology; Division on Earth and Life Studies; National Research Council, 2012.

How-To-Smoke-Dabs-Without-a-Rig, Yo Dabba Dabba website, <https://yodabbadabba.com/dabbing-resources/smoke-wax-without-a-rig/>—downloaded Jul. 29, 2019.

Need-a-Light-4Alternatives-to-Using-a-Lighter, Leafly website, <https://www.leafly.com/news/strains-products/alternatives-to-using-a-lighter>—downloaded Jul. 29, 2019.

\* cited by examiner

*Primary Examiner* — Rebecca Tsehaye

(74) *Attorney, Agent, or Firm* — Guy Cumberbatch

(56) **References Cited**

**U.S. PATENT DOCUMENTS**

437,070	A	9/1890	Wiesebrock	
1,071,389	A	8/1918	Blosser	
1,405,802	A	2/1922	Phelan	
6,481,437	B1	11/2002	Pate	
D483,148	S *	12/2003	Merideth	D27/170
D565,927	S *	4/2008	Krumpe	D8/310
D588,741	S *	3/2009	Murdaugh, III	D27/169
D634,065	S *	3/2011	Borushek	D27/170
8,733,345	B2	5/2014	Siller	
D744,696	S *	12/2015	Malhi	D27/169
D772,479	S *	11/2016	Stowers	D27/170
D792,646	S *	7/2017	Testa	D27/167
D799,747	S *	10/2017	Champion	D27/169
D844,408	S *	4/2019	Lu	D8/301
D869,651	S *	12/2019	Du	D24/115
D882,866	S *	4/2020	Friedrich	D27/162
D944,449	S *	2/2022	Roth	D27/194
2008/0066817	A1 *	3/2008	Nicolini	F16K 31/60 137/881

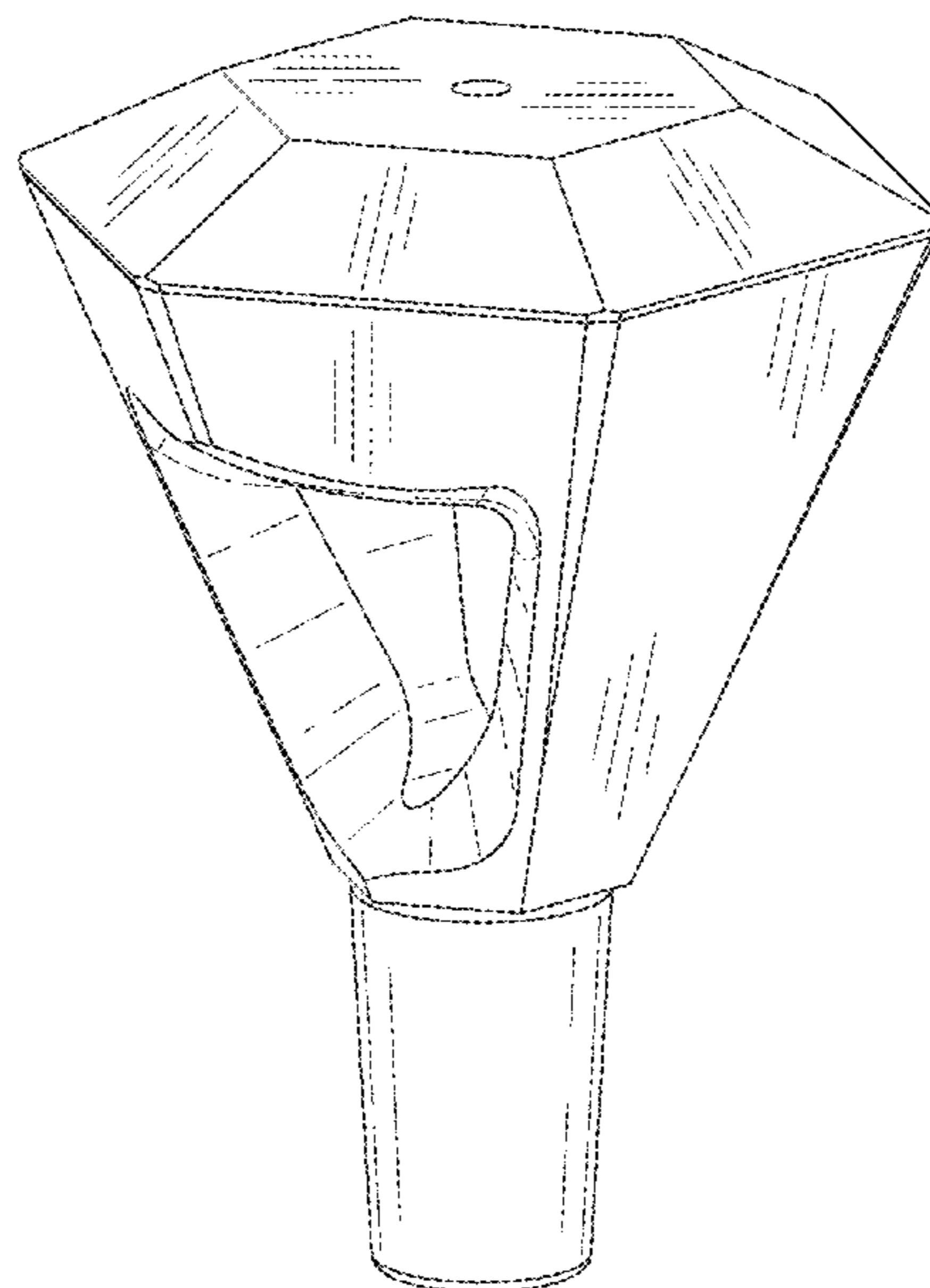
(57) **CLAIM**

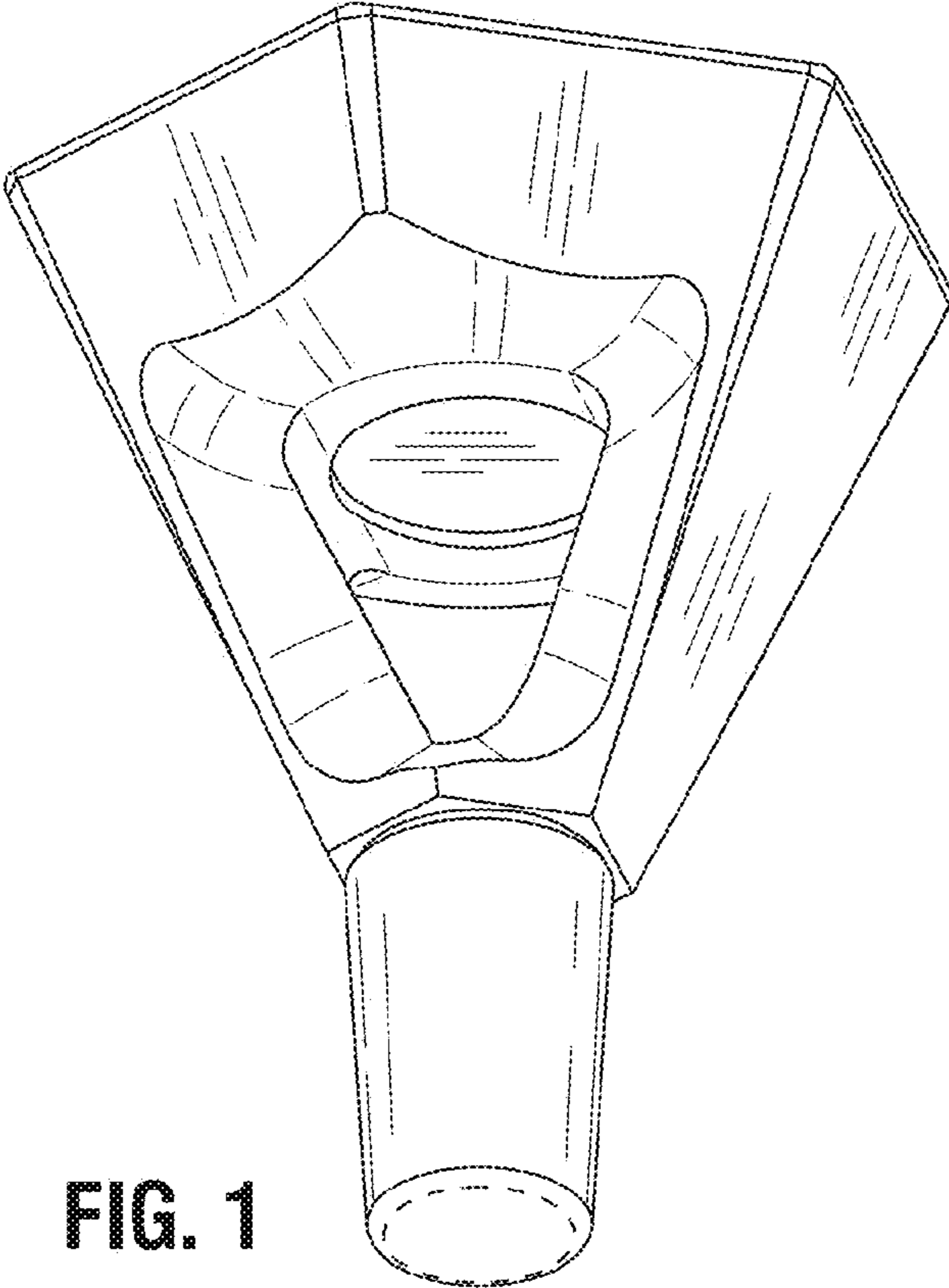
I claim the ornamental design for a smoking device, as shown and described.

**DESCRIPTION**

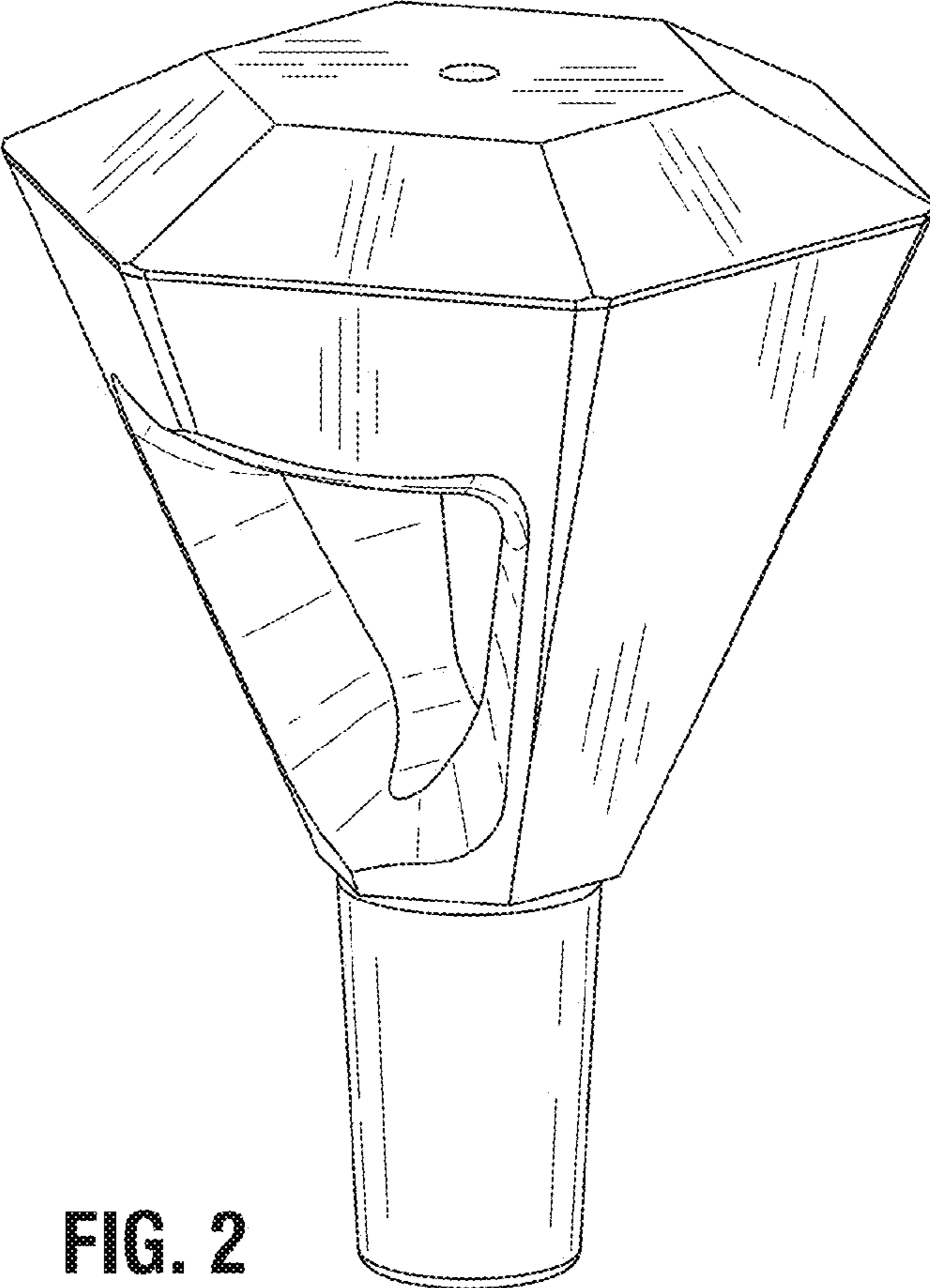
FIG. 1 is a lower perspective view of a smoking device of the present application;  
FIG. 2 is an upper perspective view of the smoking device;  
FIG. 3 is a front elevational view of the smoking device, the rear elevational view being identical thereto;  
FIG. 4 is a right side elevational view of the smoking device, the left side elevational view being identical thereto;  
FIG. 5 is a top plan view of the smoking device; and,  
FIG. 6 is a bottom plan view of the smoking device.  
The broken lines in the drawings depiction portions of the smoking device that form no part of the claimed design.

**1 Claim, 2 Drawing Sheets**





**FIG. 1**



**FIG. 2**

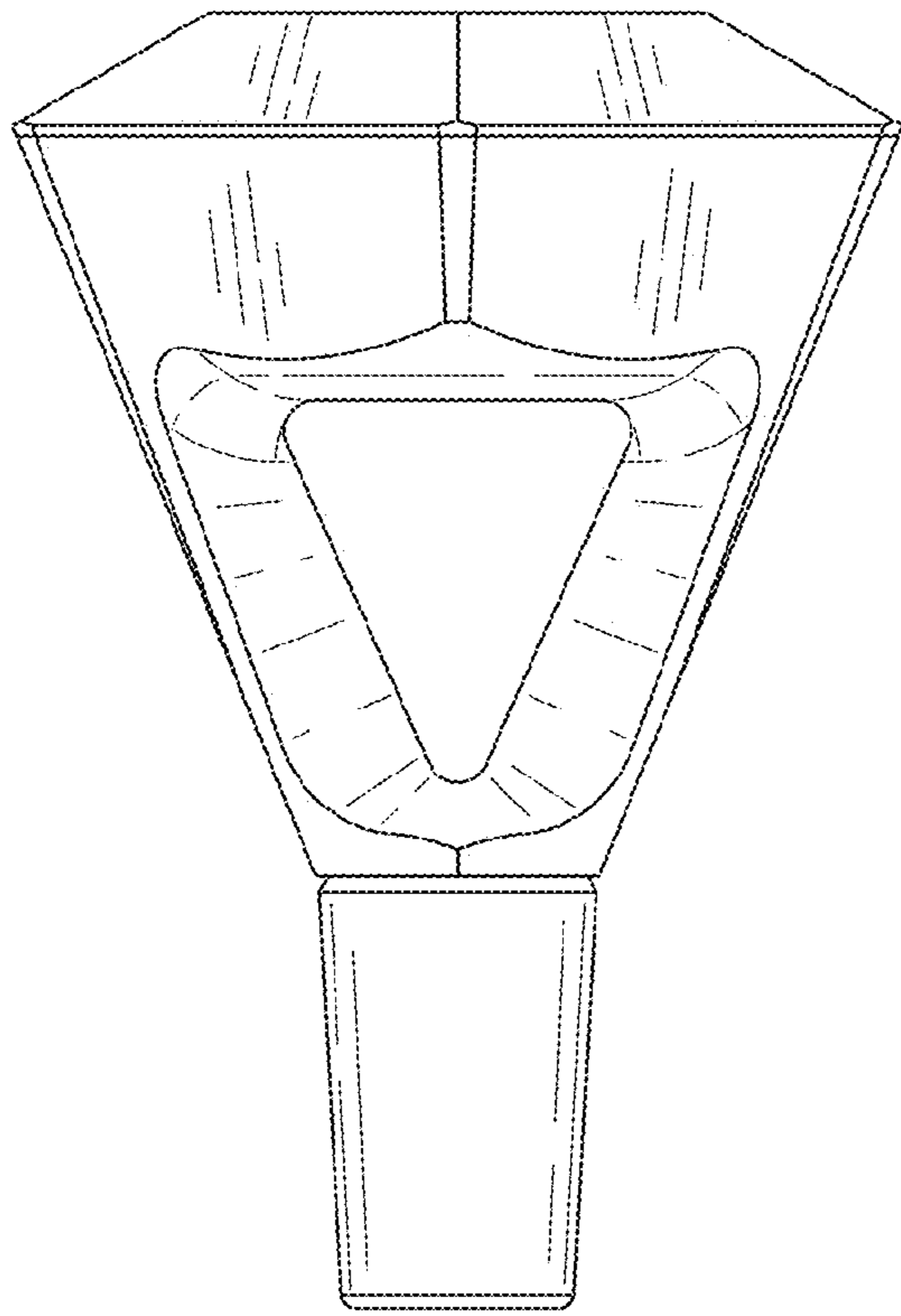


FIG. 3

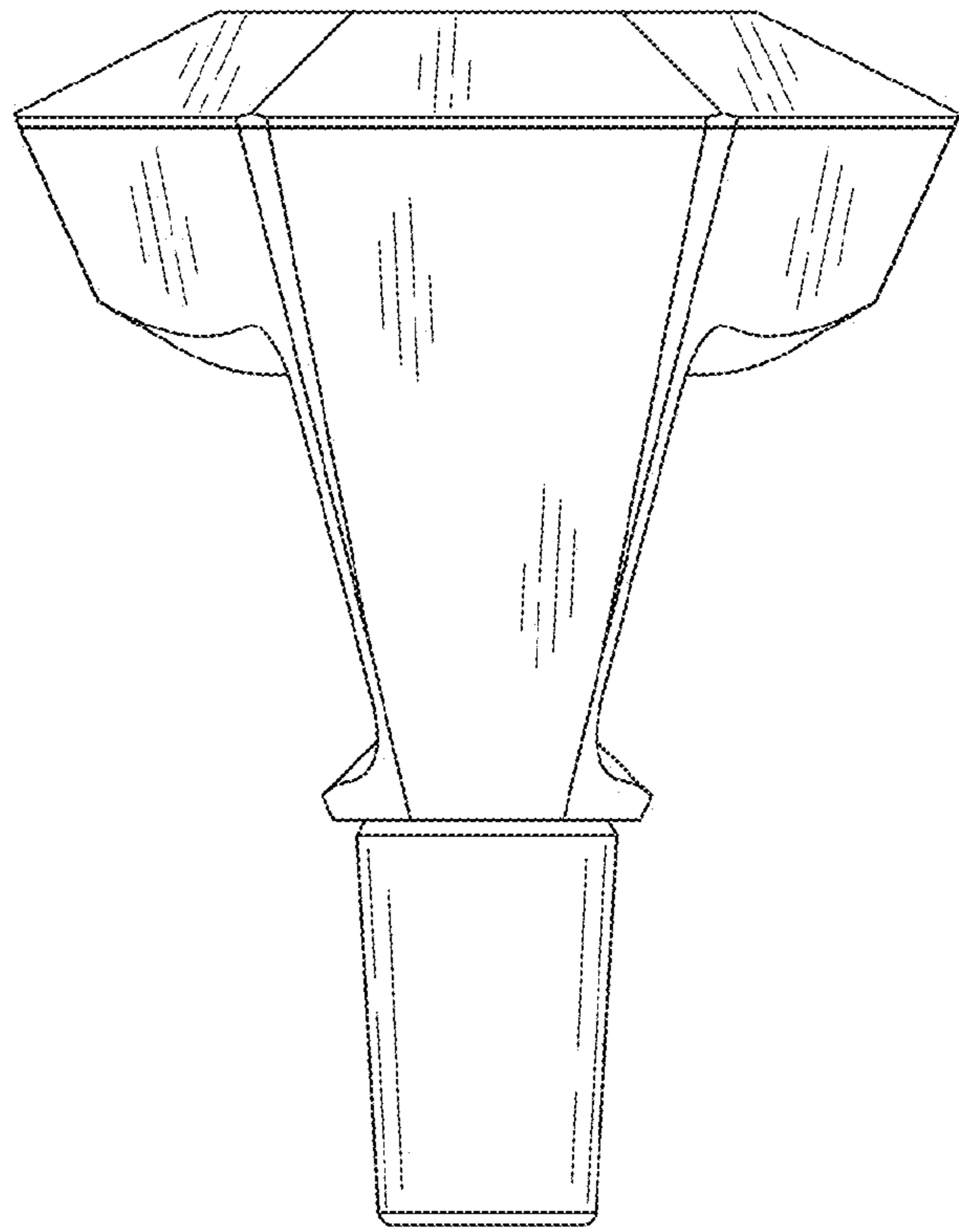


FIG. 4

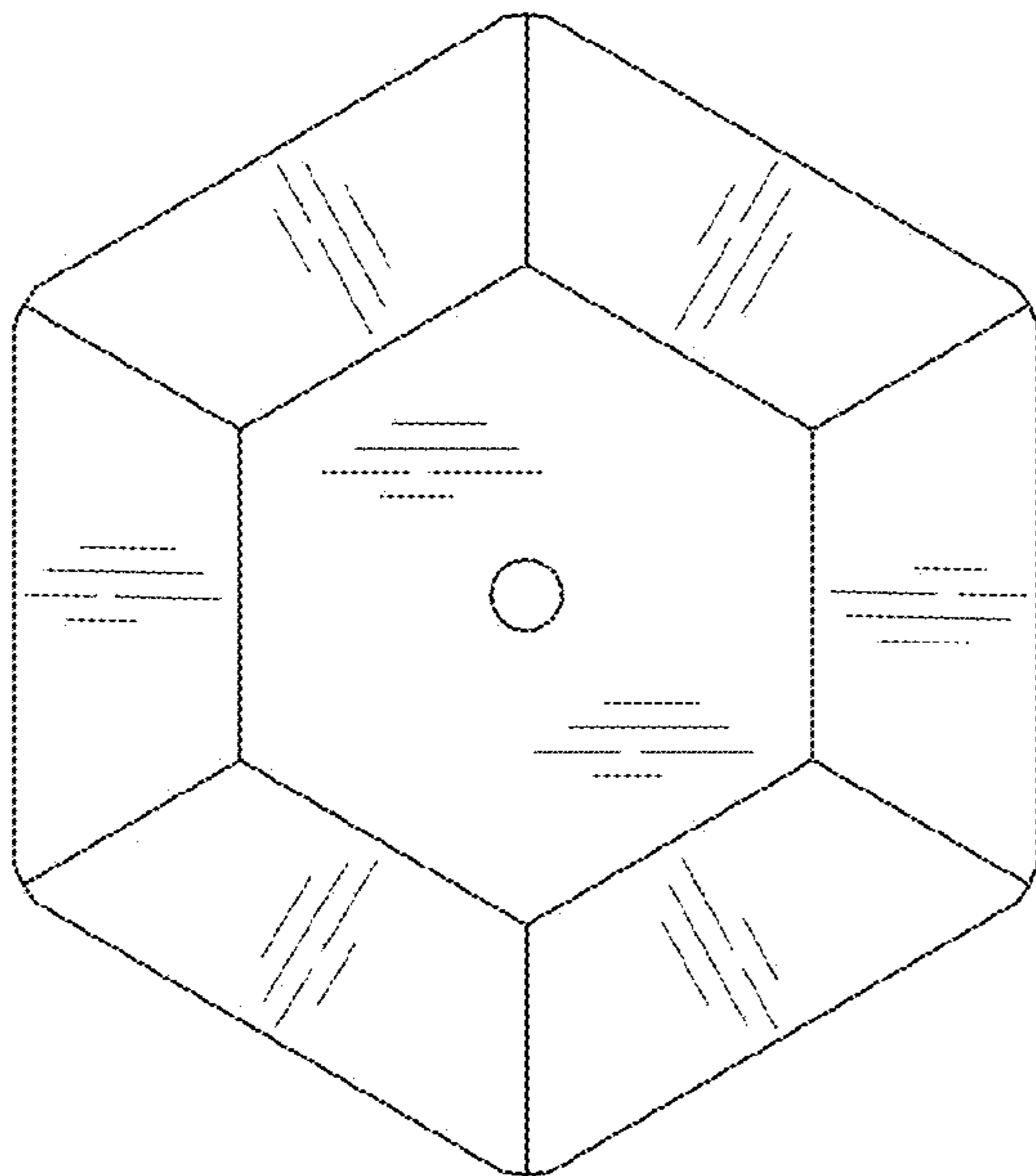


FIG. 5

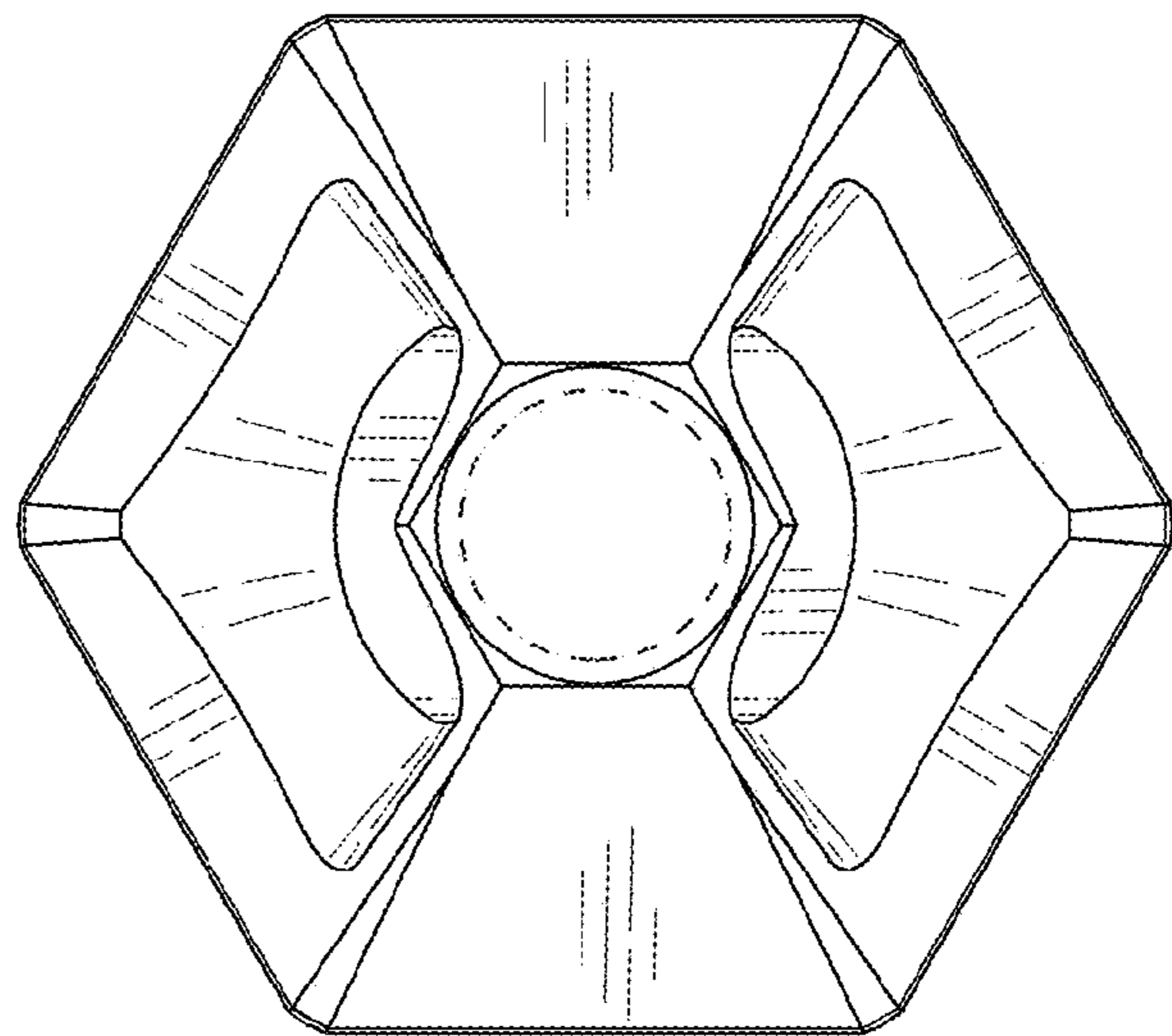


FIG. 6