



US00D986495S

(12) **United States Design Patent** (10) **Patent No.:** **US D986,495 S**
Barrantes (45) **Date of Patent:** **** May 16, 2023**

(54) **CIGAR CUTTER**
(71) Applicant: **Fabian Barrantes**, Miami, FL (US)
(72) Inventor: **Fabian Barrantes**, Miami, FL (US)
(**) Term: **15 Years**
(21) Appl. No.: **29/809,393**
(22) Filed: **Sep. 28, 2021**
(51) **LOC (14) Cl.** **27-99**
(52) **U.S. Cl.**
USPC **D27/195**
(58) **Field of Classification Search**
USPC D27/195, 194, 183; D8/98, 99, 100, 105,
D8/51, 52, 57, 60
CPC A24F 13/24; A24F 13/18; A24F 13/20;
A24F 13/22; A24F 13/26
See application file for complete search history.

8,656,595 B2 * 2/2014 Wong A24F 13/26
30/109
9,055,769 B2 * 6/2015 Liao A24F 13/26
D753,877 S * 4/2016 Fischer D27/195
D812,293 S * 3/2018 Fischer D27/195
D822,274 S * 7/2018 Almsberger D27/195
10,201,184 B1 * 2/2019 Fischer A24F 13/24

OTHER PUBLICATIONS

Cigar Cutter By Colibri found on Amazon (Feb. 11, 2023) [https://www.amazon.com/Colibri-CUT-Guillotine-Style-Cigar-Cutter/dp/B00MCVRSFK/ref=sr_1_60?crid=1DDTD8LZIIH24&keywords=Cigar+cutter&qid=\(Aug. 2, 2014\).](https://www.amazon.com/Colibri-CUT-Guillotine-Style-Cigar-Cutter/dp/B00MCVRSFK/ref=sr_1_60?crid=1DDTD8LZIIH24&keywords=Cigar+cutter&qid=(Aug. 2, 2014).)*

* cited by examiner

Primary Examiner — Rebecca Tsehaye
(74) *Attorney, Agent, or Firm* — Sanchelima & Associates, P.A.; Christian Sanchelima; Jesus Sanchelima

(56) **References Cited**

U.S. PATENT DOCUMENTS

D396,125 S * 7/1998 Chen D27/195
D397,827 S * 9/1998 Reveley D8/104
D398,072 S * 9/1998 Singletary D27/195
5,888,061 A * 3/1999 Reynolds A24F 13/24
131/249
D410,109 S * 5/1999 Van Keppel D27/195
D413,408 S * 8/1999 White D27/195
5,937,523 A * 8/1999 Van Keppel A24F 13/26
30/279.2
D414,894 S * 10/1999 Chen D27/195
D447,277 S * 8/2001 Lion D27/195
D602,632 S * 10/2009 Smith D27/195
D605,351 S * 12/2009 Smith D27/195
D617,496 S * 6/2010 Wong D27/195
D622,903 S * 8/2010 An D27/195
D630,794 S * 1/2011 Cohen Harel D27/195
7,861,727 B1 * 1/2011 Jones A24F 13/26
131/253
D698,993 S * 2/2014 Sharif D27/195

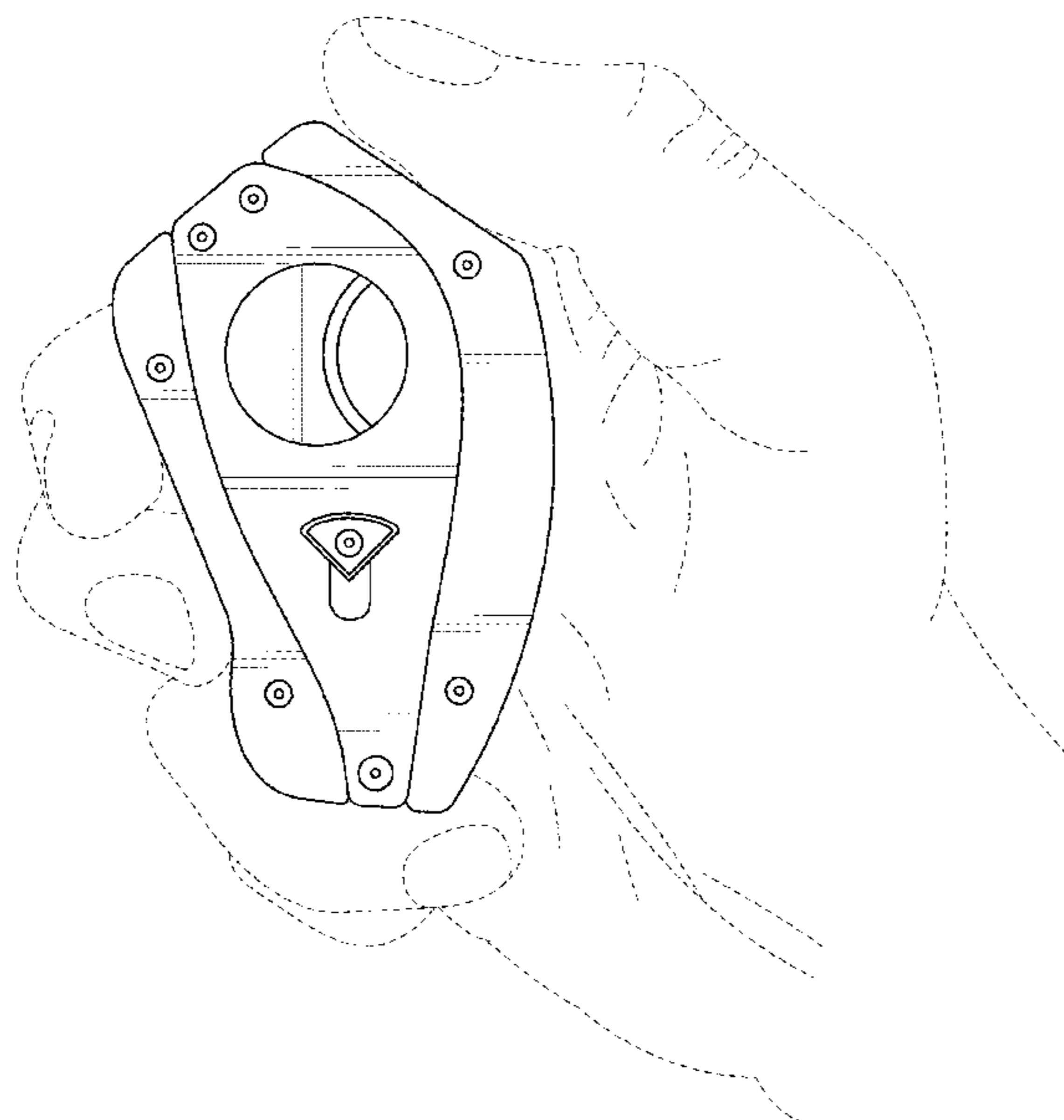
(57) **CLAIM**

The ornamental design for a cigar cutter, as shown and described.

DESCRIPTION

FIG. 1 is a front perspective view of the cigar cutter showing my new design;
FIG. 2 is an isometric thereof;
FIG. 3 is a front elevational view thereof;
FIG. 4 is a rear elevational view thereof;
FIG. 5 is a right elevational view thereof;
FIG. 6 is a left elevational view thereof;
FIG. 7 is a bottom plan view thereof;
FIG. 8 is a top plan view thereof; and,
FIG. 9 is an isometric view of the cigar cutter in an open configuration.
The broken lines in FIG. 1 illustrate environmental subject matter only and form no part of the claimed design.

1 Claim, 6 Drawing Sheets



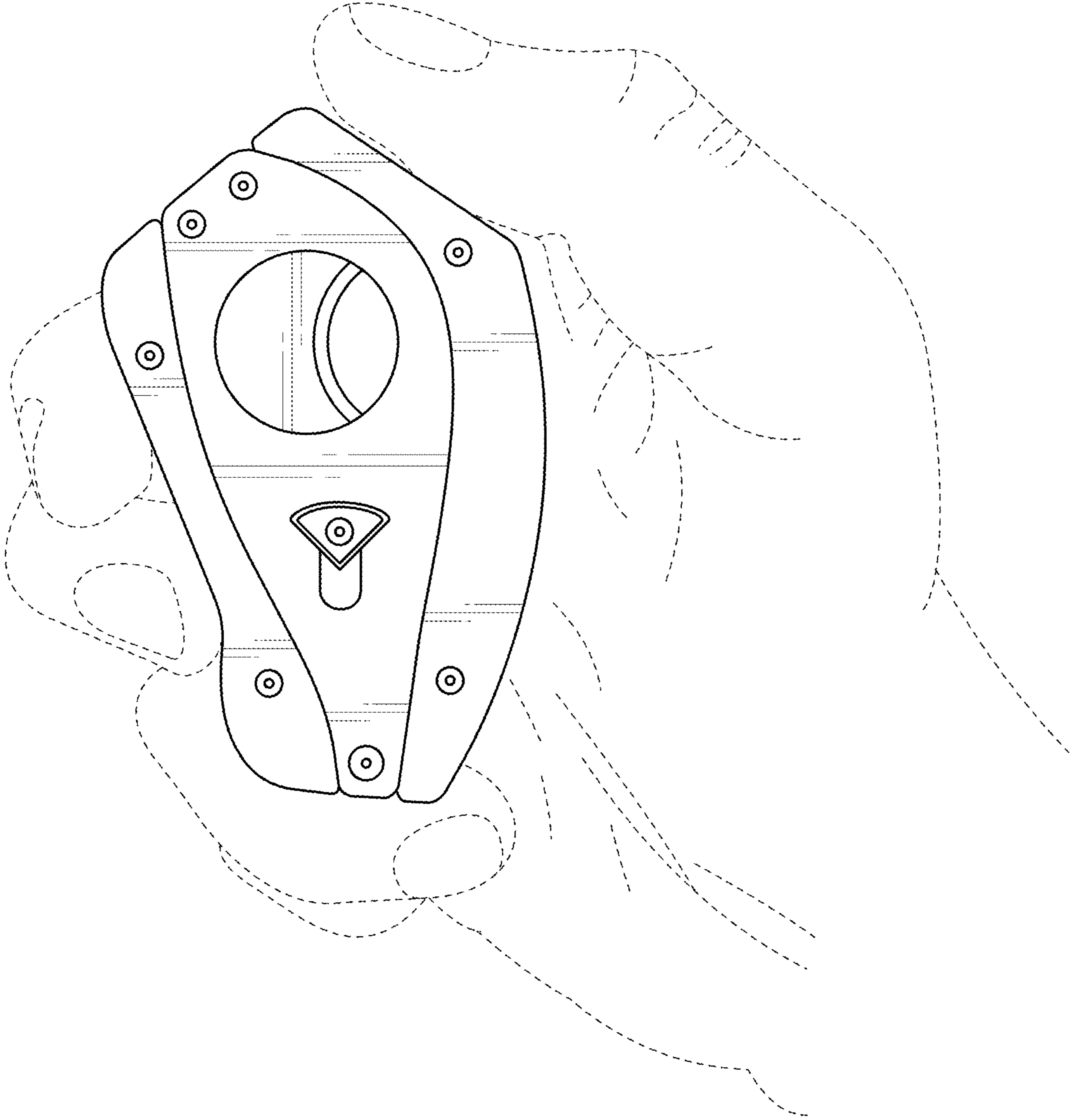


FIG. 1

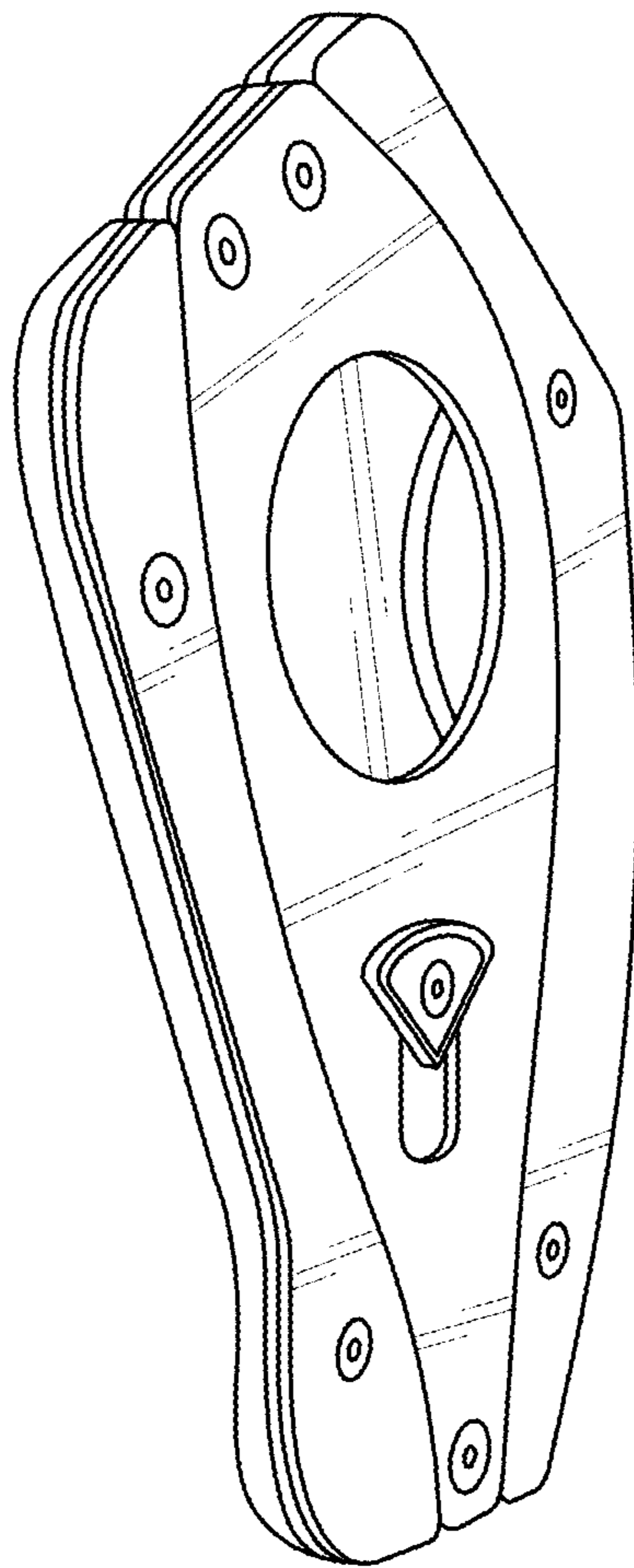


FIG. 2

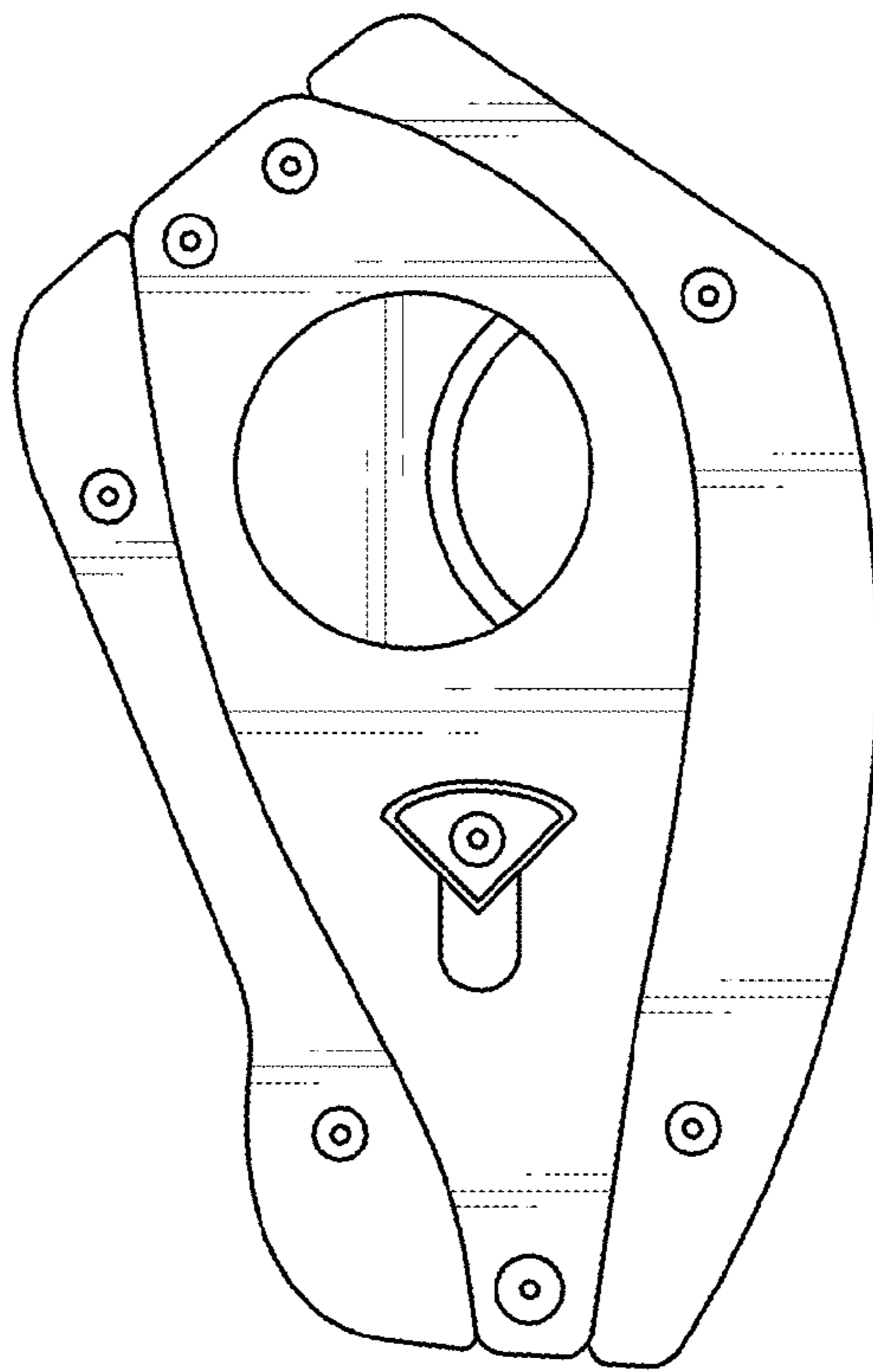


FIG. 3

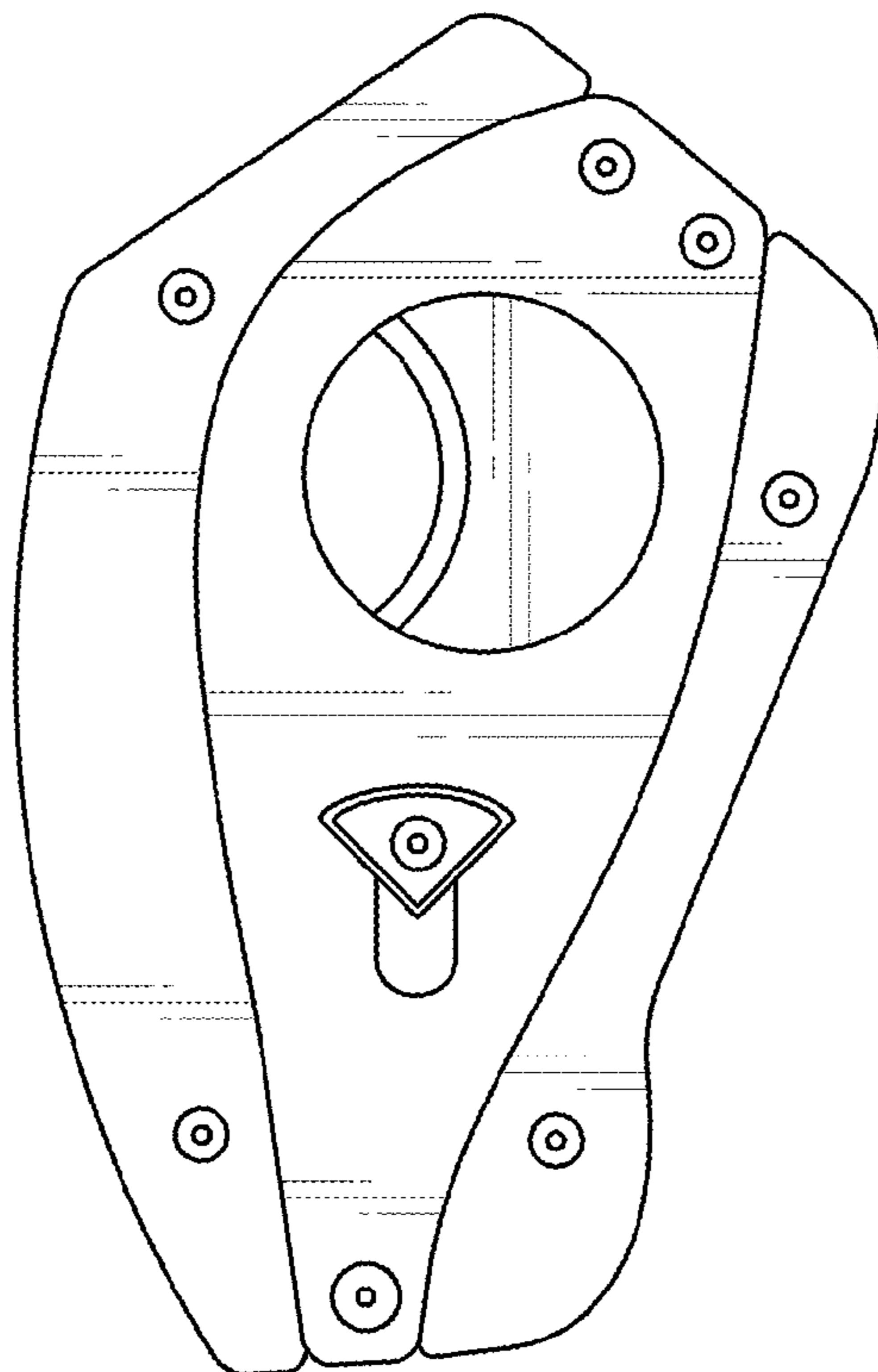


FIG. 4

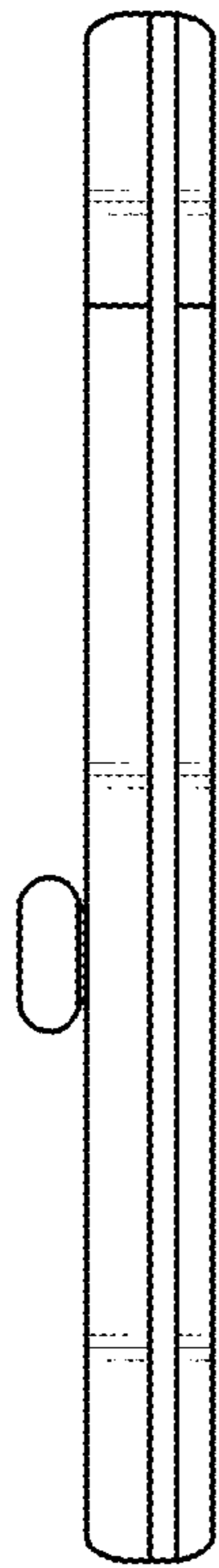


FIG. 5

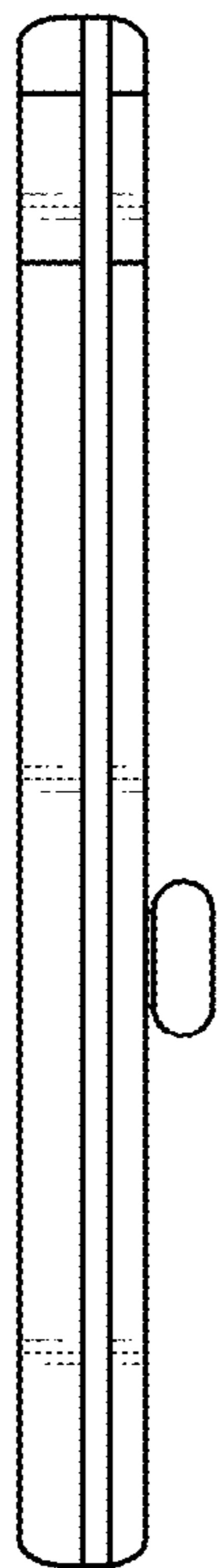


FIG. 6

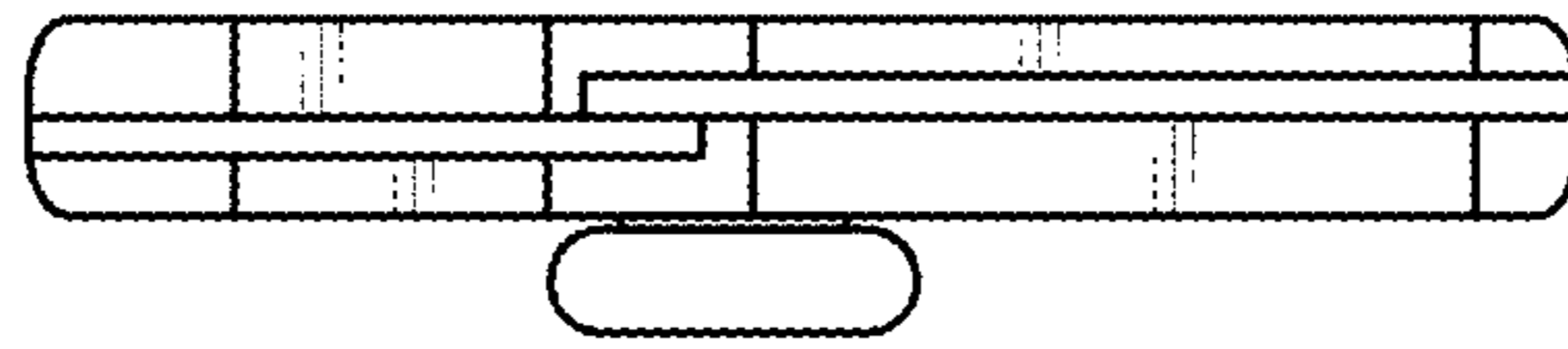


FIG. 7

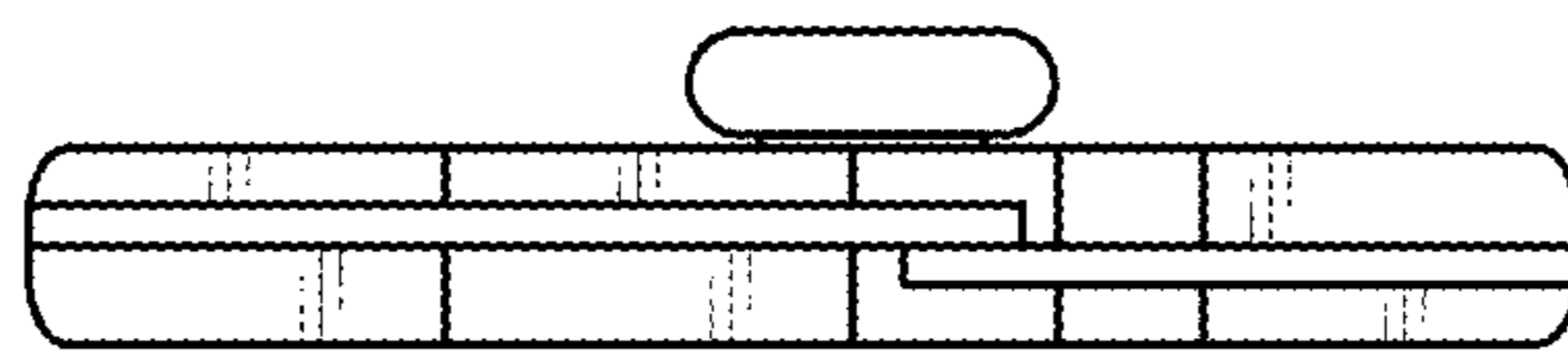


FIG. 8

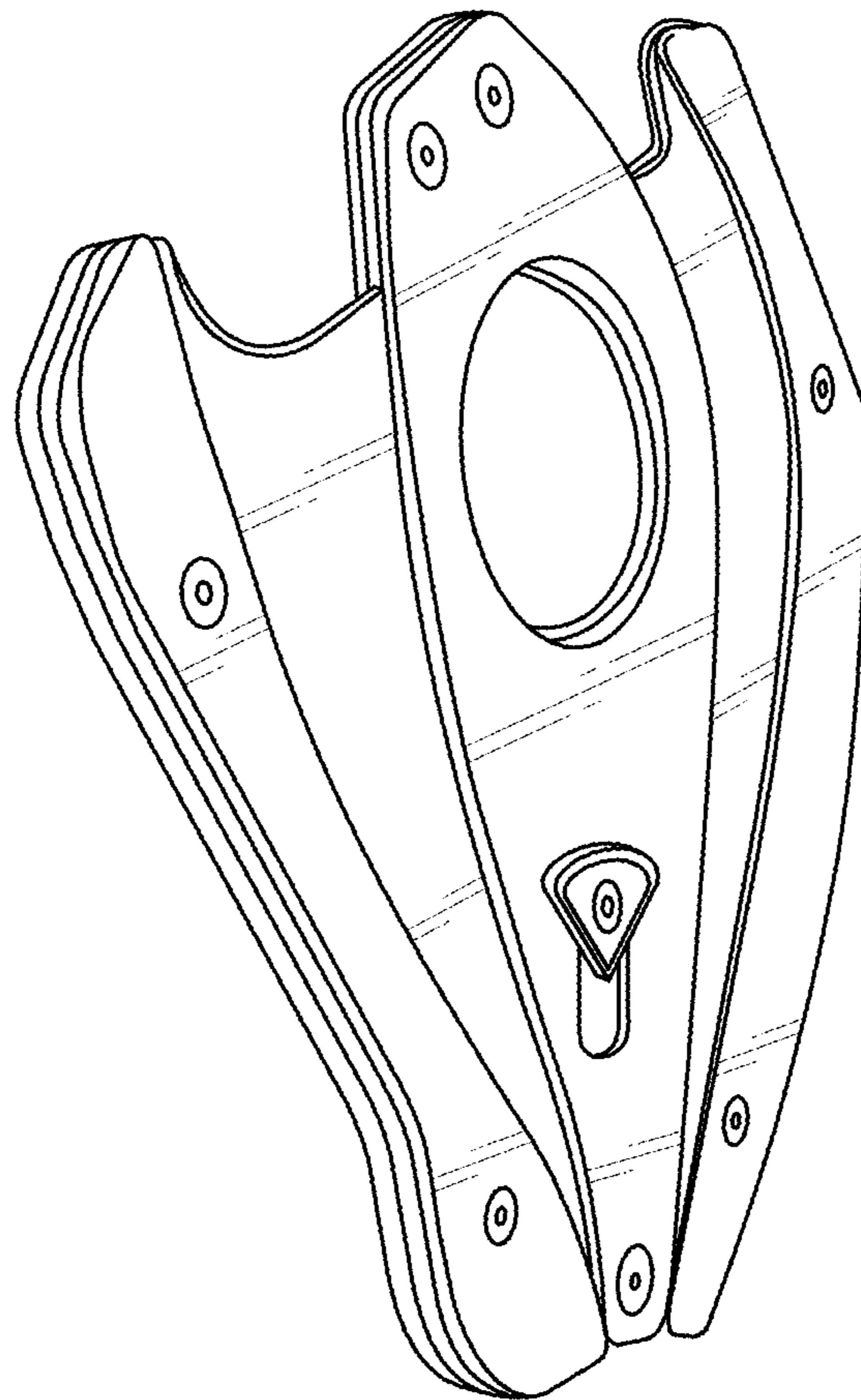


FIG. 9