



US00D986494S

(12) **United States Design Patent** (10) **Patent No.:** **US D986,494 S**  
**Barrantes** (45) **Date of Patent:** **\*\* May 16, 2023**

(54) **CIGAR CUTTER**

(71) Applicant: **Fabian Barrantes**, Miami, FL (US)

(72) Inventor: **Fabian Barrantes**, Miami, FL (US)

(\*\*) Term: **15 Years**

(21) Appl. No.: **29/809,229**

(22) Filed: **Sep. 27, 2021**

(51) **LOC (14) Cl.** ..... **27-99**

(52) **U.S. Cl.**  
USPC ..... **D27/195**

(58) **Field of Classification Search**  
USPC .... D27/195, 194, 183; D8/98, 99, 100, 105,  
D8/51, 52, 57, 60  
CPC ..... A24F 13/24; A24F 13/18; A24F 13/20;  
A24F 13/22; A24F 13/26  
See application file for complete search history.

(56) **References Cited**

**U.S. PATENT DOCUMENTS**

D396,125 S *	7/1998	Chen	.....	D27/195
D397,827 S *	9/1998	Reveley	.....	D8/104
D398,072 S *	9/1998	Singletary	.....	D27/195
5,888,061 A *	3/1999	Reynolds	.....	A24F 13/24 131/249
D413,408 S *	8/1999	White	.....	D27/195
D414,894 S *	10/1999	Chen	.....	D27/195
D602,632 S *	10/2009	Smith	.....	D27/195
D605,351 S *	12/2009	Smith	.....	D27/195
D617,496 S *	6/2010	Wong	.....	D27/195
D622,903 S *	8/2010	An	.....	D27/195
D630,794 S *	1/2011	Cohen Harel	.....	D27/195
7,861,727 B1 *	1/2011	Jones	.....	A24F 13/26 131/253
D698,993 S *	2/2014	Sharif	.....	D27/195
8,656,595 B2 *	2/2014	Wong	.....	A24F 13/26

9,055,769 B2 *	6/2015	Liao	.....	A24F 13/26
D753,877 S *	4/2016	Fischer	.....	D27/195
D812,293 S *	3/2018	Fischer	.....	D27/195
D822,274 S *	7/2018	Almsberger	.....	D27/195

**OTHER PUBLICATIONS**

Cigar Cutter By Colibri found on Amazon (Feb. 11, 2023) [https://www.amazon.com/Colibri-S-Cut-Stainless-Guillotine-Ergonomic/dp/B08H3M299M/ref=sr\\_1\\_55?crd=1DDTD8LZIH24&keywords=Cigar+cutter&qid=](https://www.amazon.com/Colibri-S-Cut-Stainless-Guillotine-Ergonomic/dp/B08H3M299M/ref=sr_1_55?crd=1DDTD8LZIH24&keywords=Cigar+cutter&qid=) (Sep. 1, 2020).\*

\* cited by examiner

*Primary Examiner* — Rebecca Tsehaye  
(74) *Attorney, Agent, or Firm* — Sanchelima & Associates, P.A.; Christian Sanchelima; Jesus Sanchelima

(57) **CLAIM**

The ornamental design for a cigar cutter, as shown and described.

**DESCRIPTION**

FIG. 1 is a front operational view of a cigar cutter showing my new design;

FIG. 2 is an isometric view thereof;

FIG. 3 is a front elevational view thereof;

FIG. 4 a rear elevational view thereof;

FIG. 5 is a right elevational view thereof;

FIG. 6 is a left side elevational view thereof;

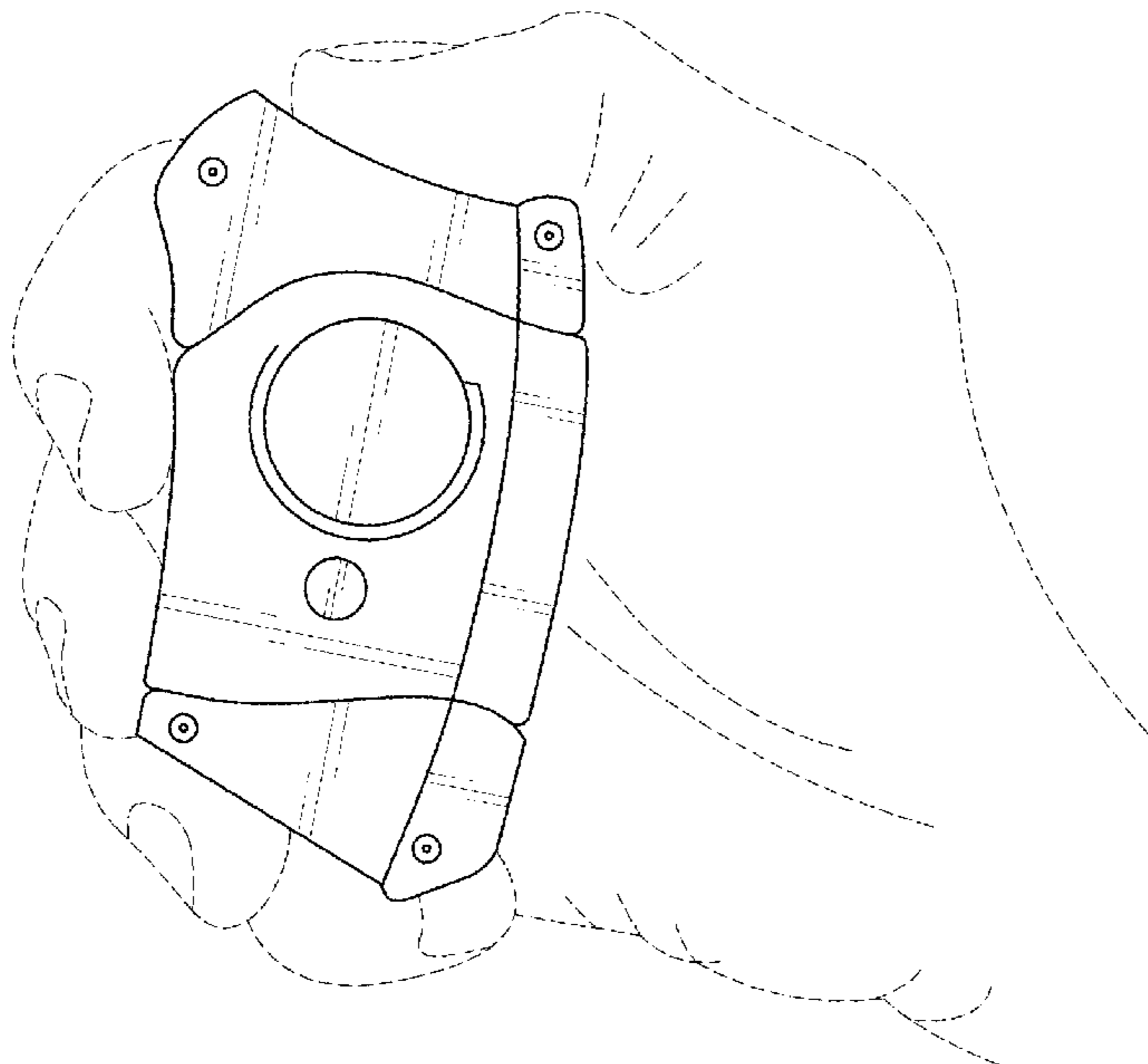
FIG. 7 is a top plan view thereof;

FIG. 8 is a bottom plan view thereof showing my design; and,

FIG. 9 is an isometric view of the cigar cutter in an open configuration.

The broken lines in FIG. 1 illustrate environmental subject matter only and form no part of the claimed design; All other broken lines in drawings depict portions of the cigar cutter that form no part of the claimed design.

**1 Claim, 6 Drawing Sheets**



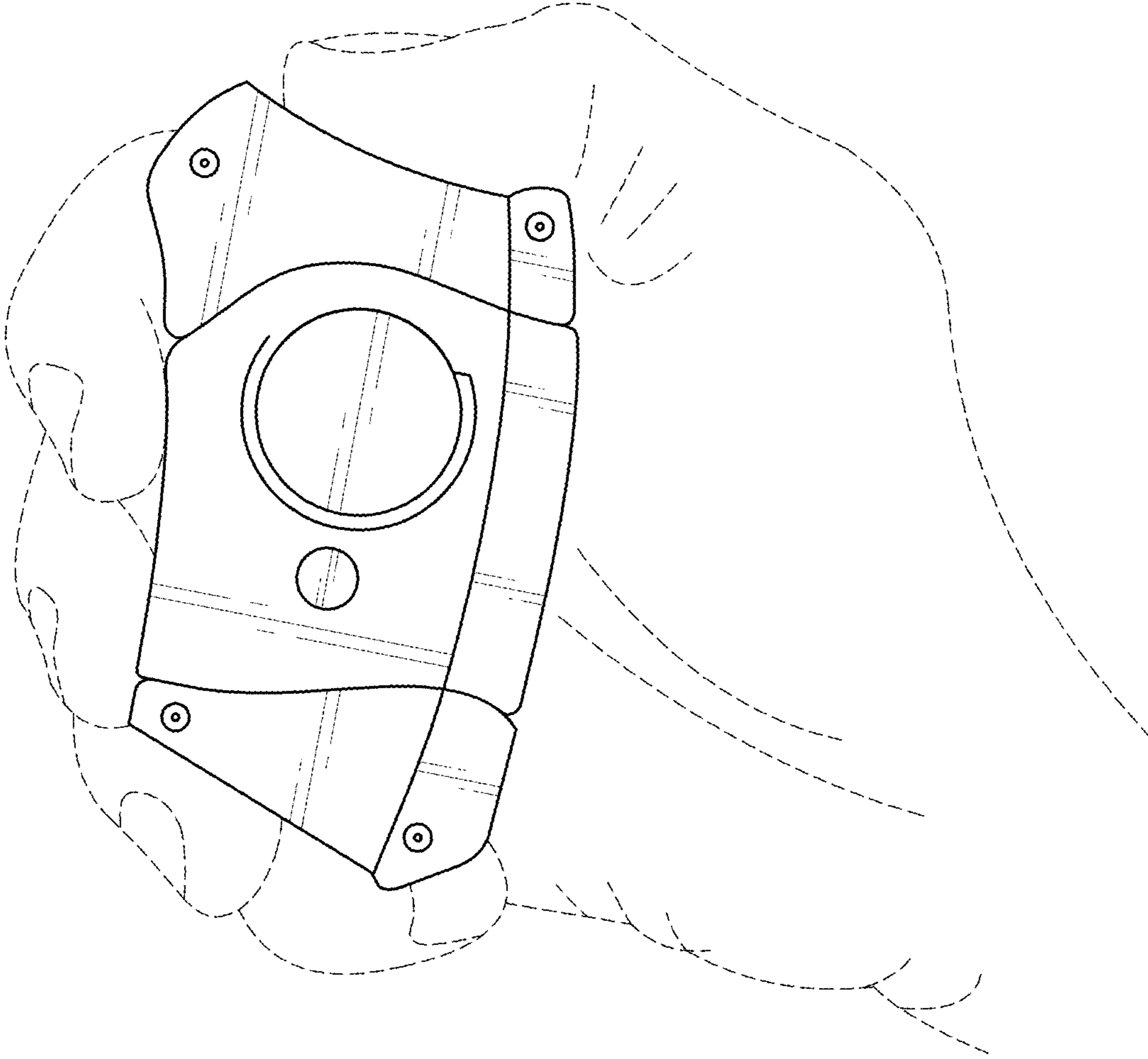


FIG. 1

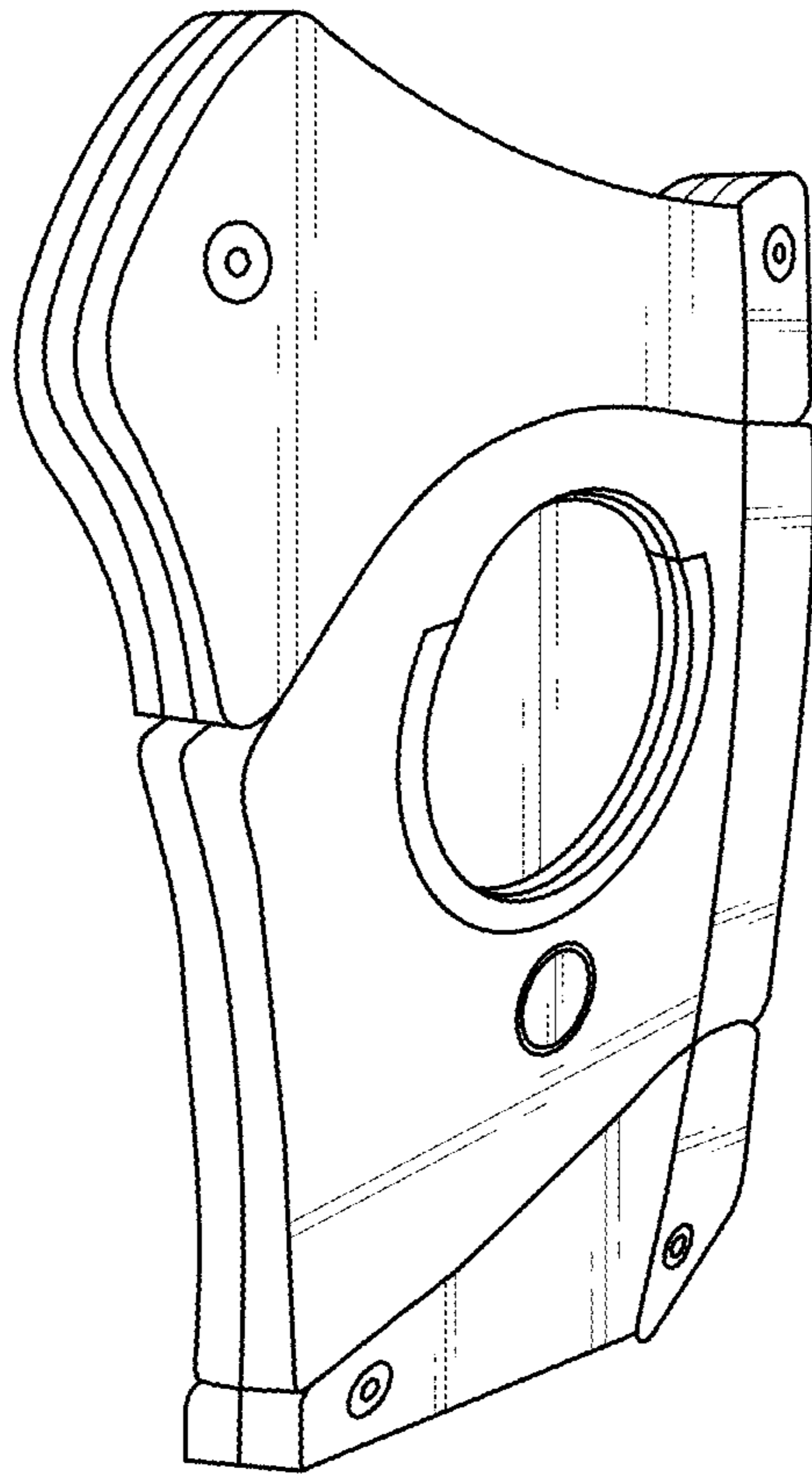


FIG. 2

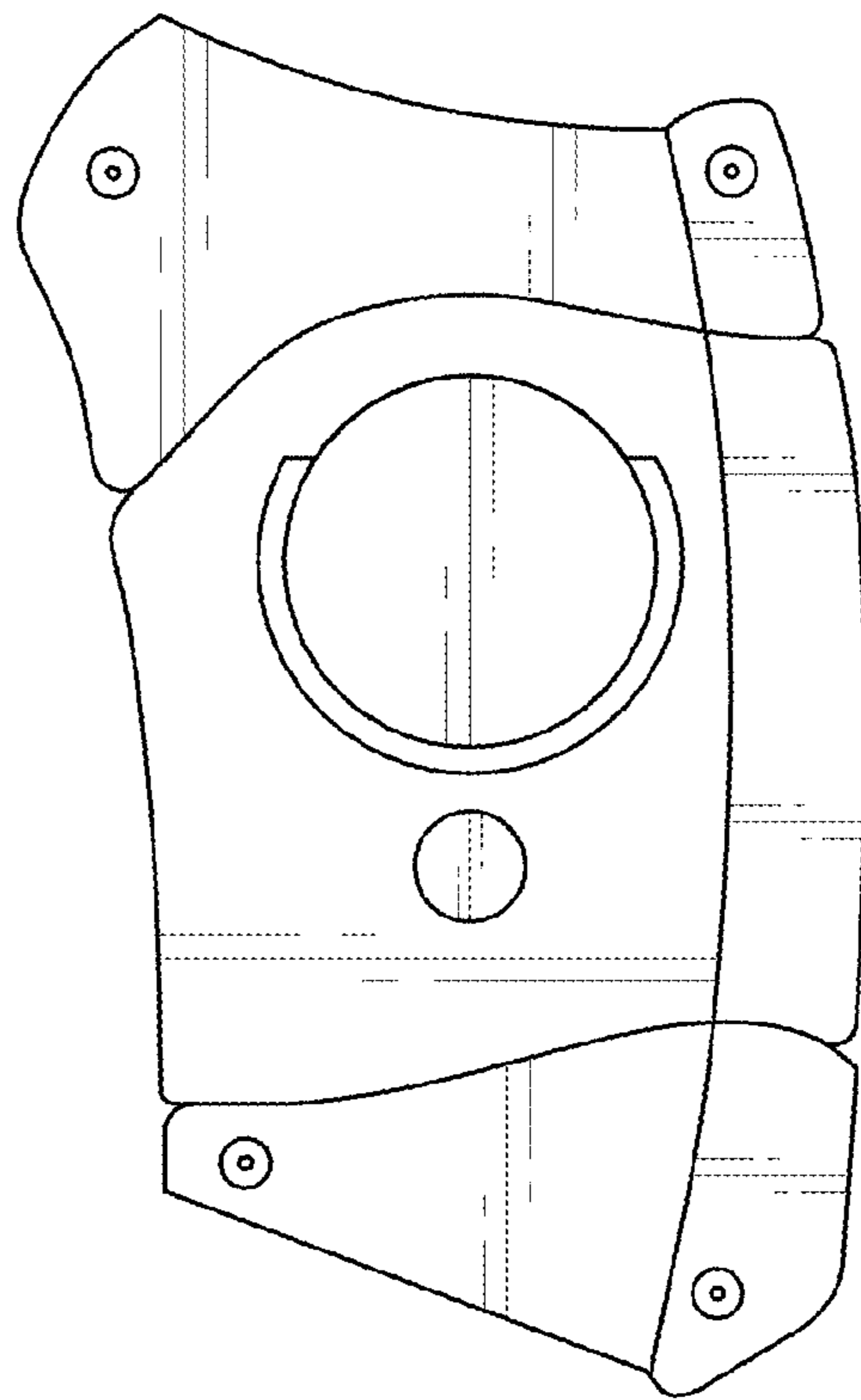


FIG. 3

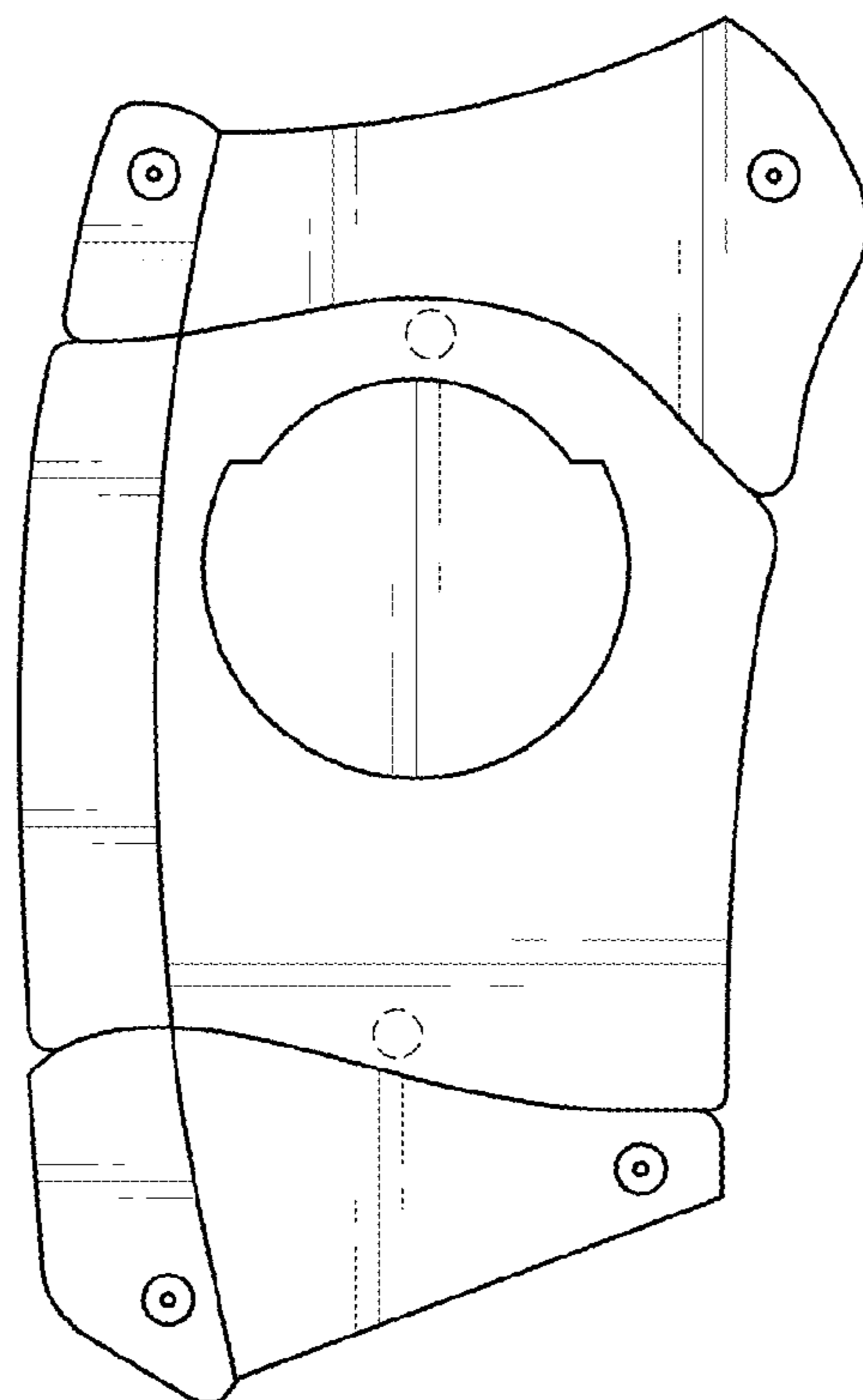


FIG. 4

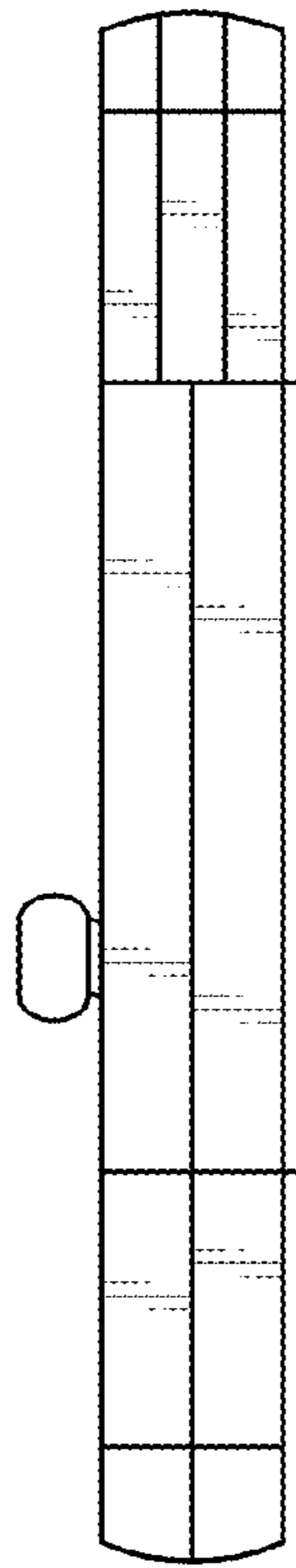


FIG. 5

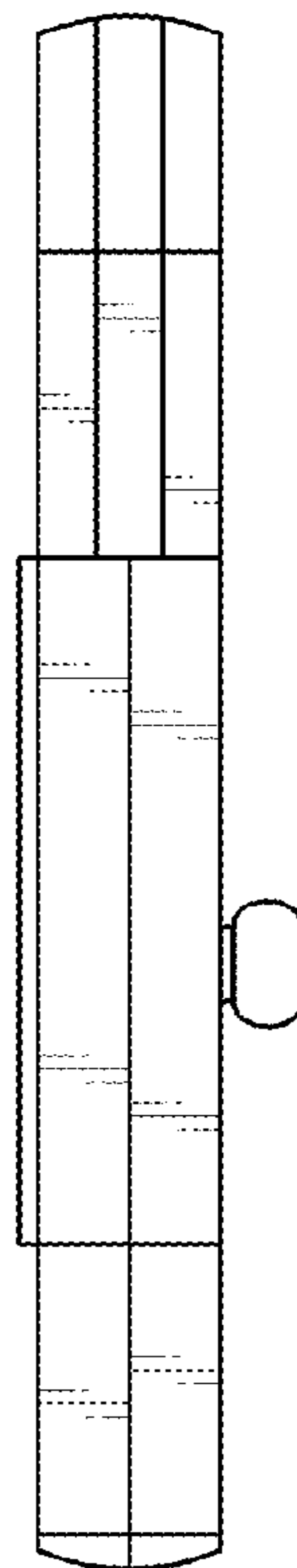


FIG. 6

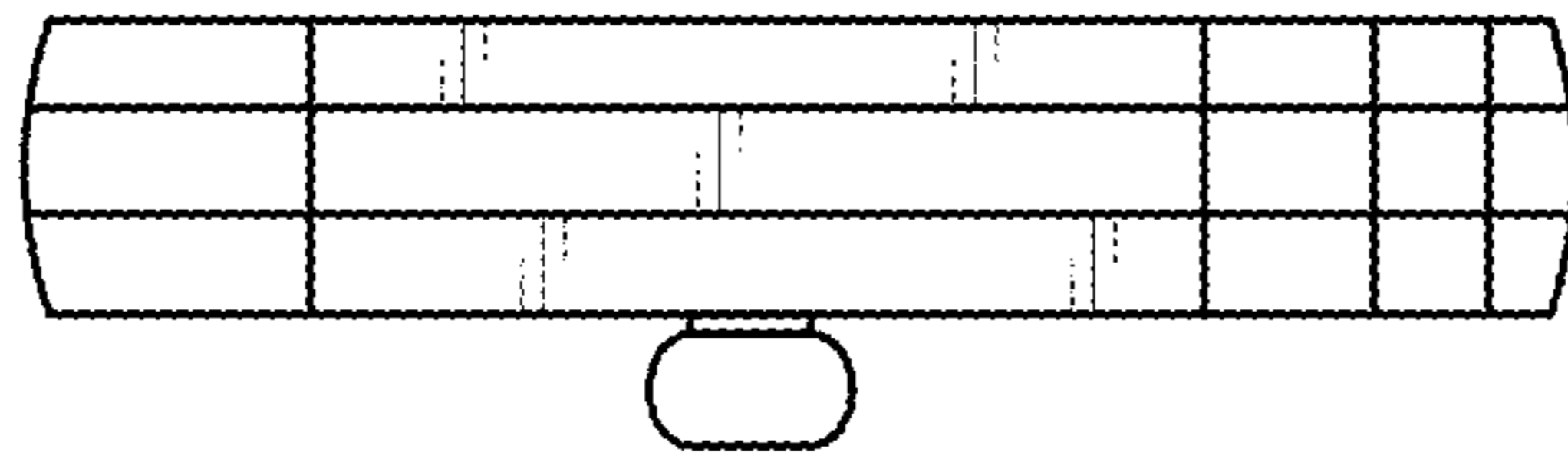


FIG. 7

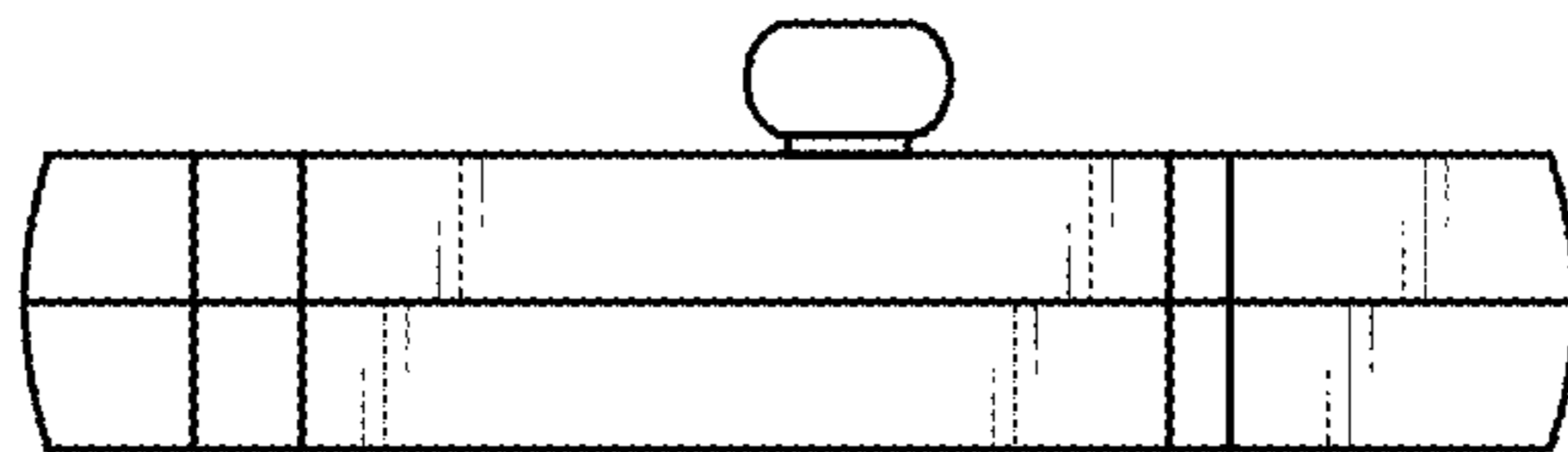


FIG. 8

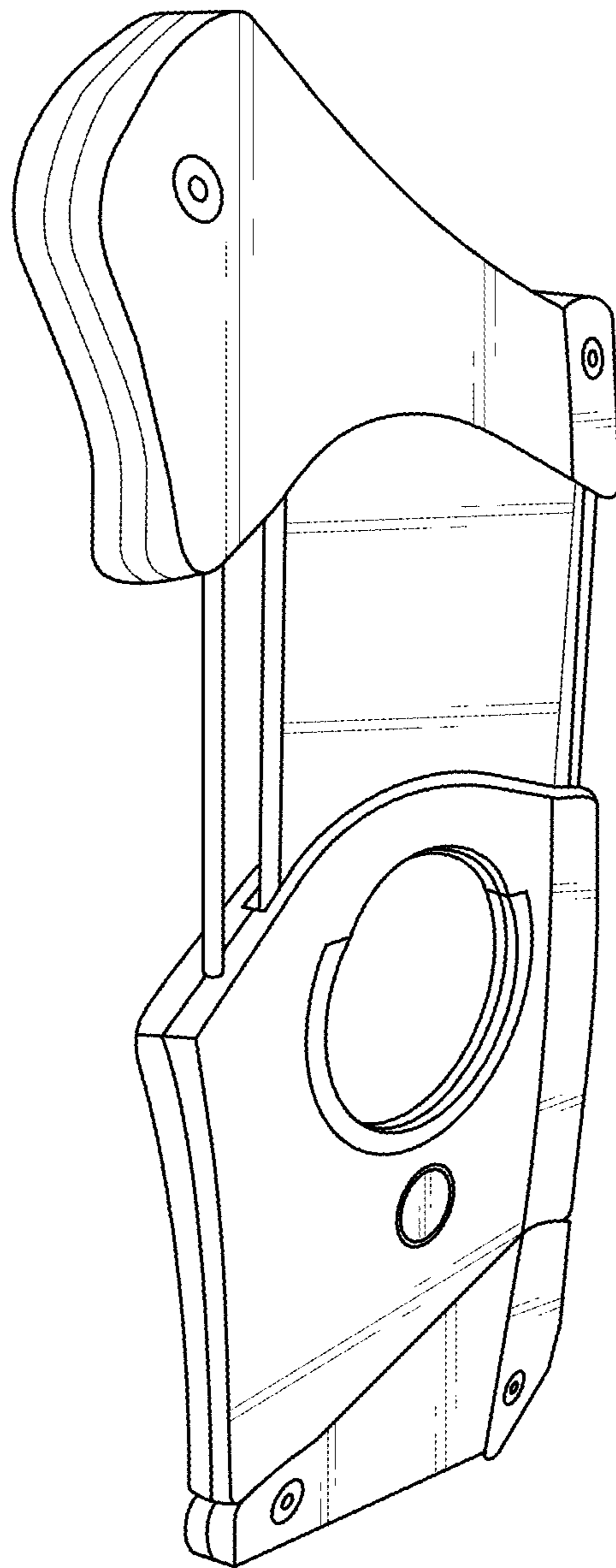


FIG. 9