



US00D986493S

(12) **United States Design Patent** (10) **Patent No.:** **US D986,493 S**
Ou (45) **Date of Patent:** **** May 16, 2023**

(54) **GLASS TIP**
(71) Applicant: **R.Y.L. Inc.**, Commerce, CA (US)
(72) Inventor: **Suk Hwan Ou**, Commerce, CA (US)
(73) Assignee: **R.Y.L. INC.**, Commerce, CA (US)
(**) Term: **15 Years**
(21) Appl. No.: **29/809,485**
(22) Filed: **Sep. 28, 2021**
(51) **LOC (14) Cl.** **27-06**
(52) **U.S. Cl.**
USPC **D27/193**
(58) **Field of Classification Search**
USPC D27/193, 101, 162, 163, 167, 170, 171,
D27/194; D24/224
CPC A24D 3/18; A24D 3/00
See application file for complete search history.

D940,385 S * 1/2022 Dodson D27/162
D940,388 S * 1/2022 Fornarelli D27/194
D943,818 S * 2/2022 Wang D27/162
D945,060 S * 3/2022 Ou D27/162
D945,061 S * 3/2022 Ou D27/167
D955,631 S * 6/2022 Ou D27/162
2021/0352959 A1* 11/2021 Ou A24D 3/0283
2022/0030940 A1* 2/2022 Ou A24F 1/28

OTHER PUBLICATIONS

Glass Cigarette Rolling Filter Tips By: Air Steward Tips found on Amazon (Nov. 19, 2022) <https://www.amazon.com/Air-Steward-Tips-Cigarette-8x35mm-Flat/dp/B07R9YV9PD> (Jun. 24, 2019).*

* cited by examiner

Primary Examiner — Rebecca Tsehaye
(74) *Attorney, Agent, or Firm* — Womble Bond Dickinson (US) LLP

(57) **CLAIM**
The ornamental design for a glass tip, as shown and described.

DESCRIPTION

FIG. 1 is a bottom, side perspective view of the design;
FIG. 2 is a right side plan view thereof;
FIG. 3 is a left side plan view thereof;
FIG. 4 is a front plan view thereof;
FIG. 5 is a rear plan view thereof;
FIG. 6 is a bottom elevation view thereof;
FIG. 7 is a top elevation view thereof; and,
FIG. 8 is a side plan view taken along line 8-8 of FIG. 6.

1 Claim, 3 Drawing Sheets

(56) **References Cited**
U.S. PATENT DOCUMENTS
D790,726 S * 6/2017 Plante D24/224
D827,152 S * 8/2018 Ou D24/224
D828,623 S * 9/2018 Fornarelli D27/194
D862,795 S * 10/2019 Caldas D27/194
D877,930 S * 3/2020 Santamarta D24/224
D897,840 S * 10/2020 Ou D9/434
D917,691 S * 4/2021 Hamilton A61B 5/097
D24/224

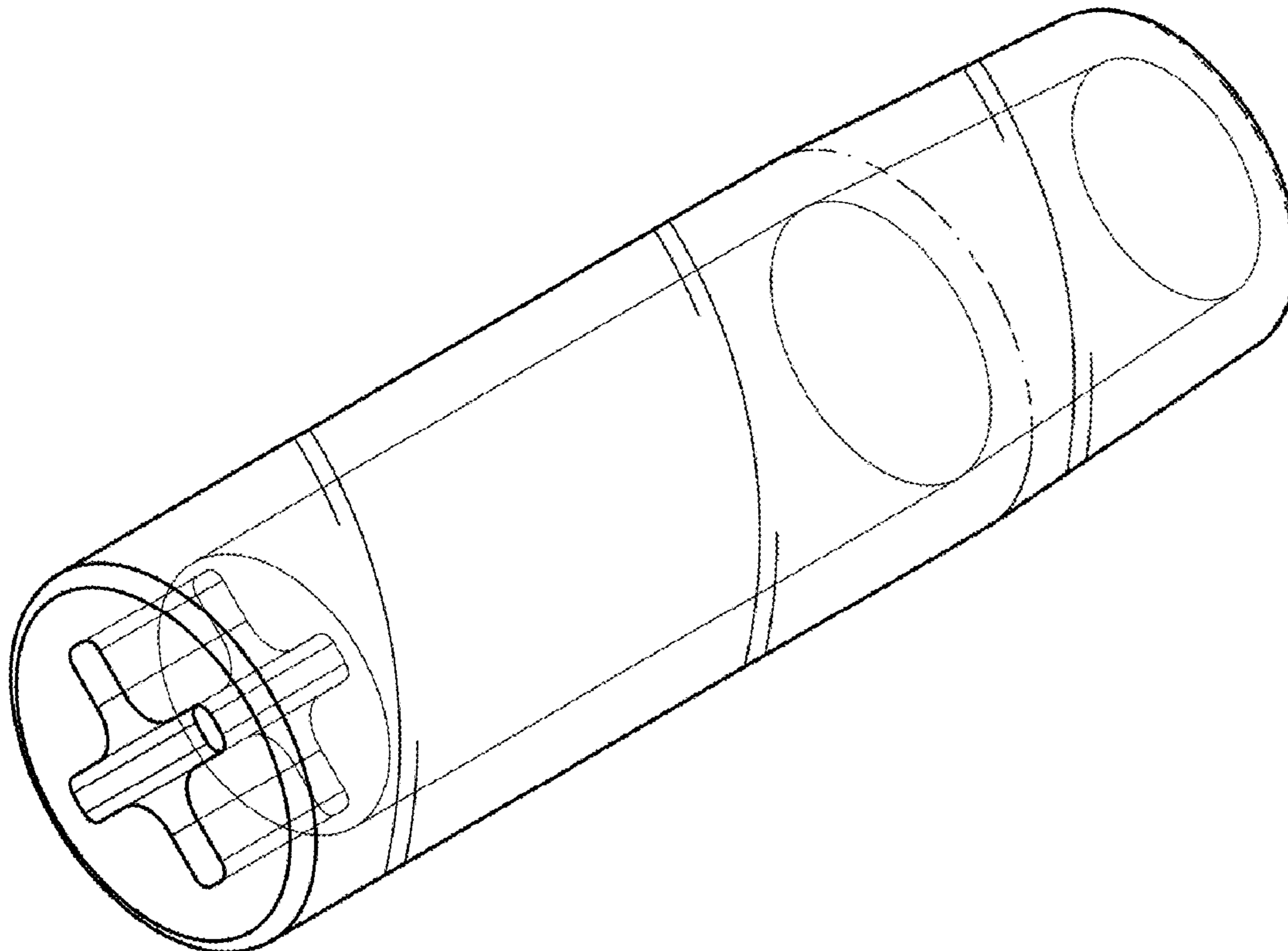


FIG. 1

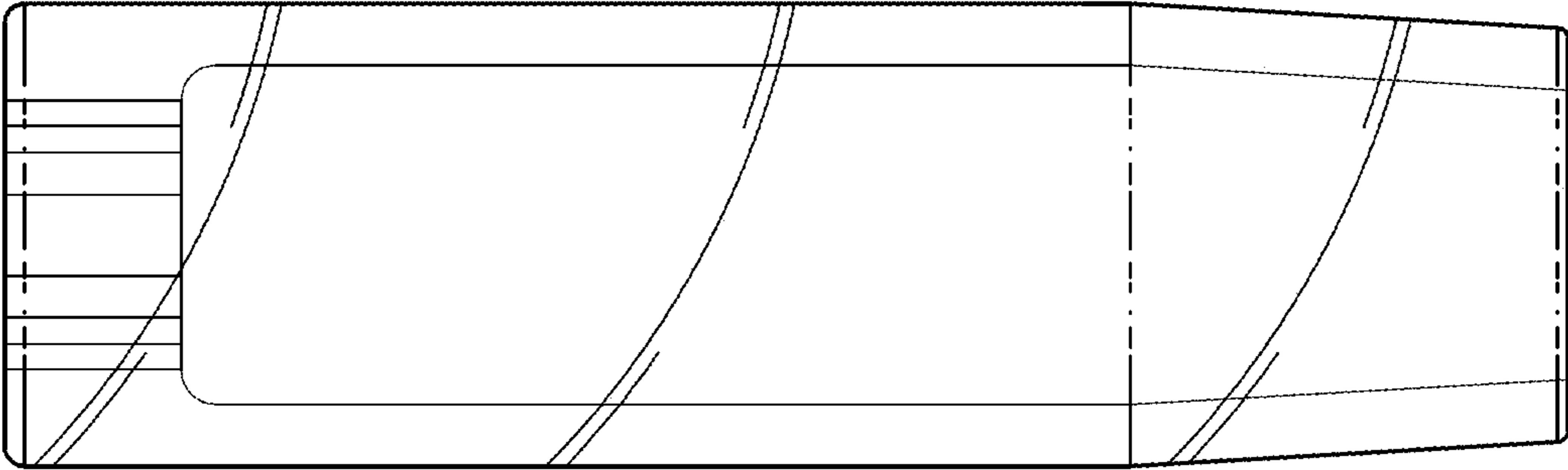
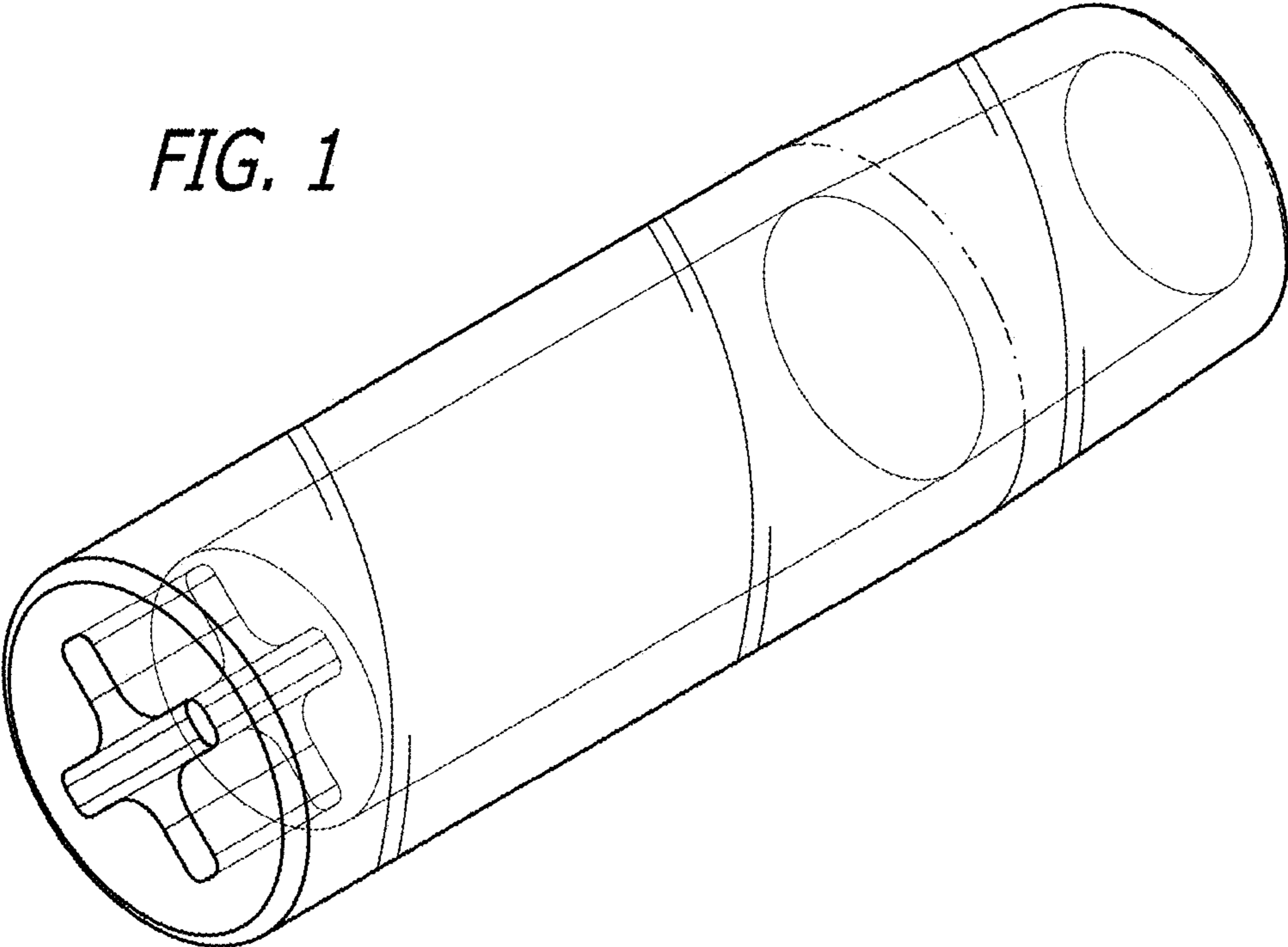


FIG. 2

FIG. 3

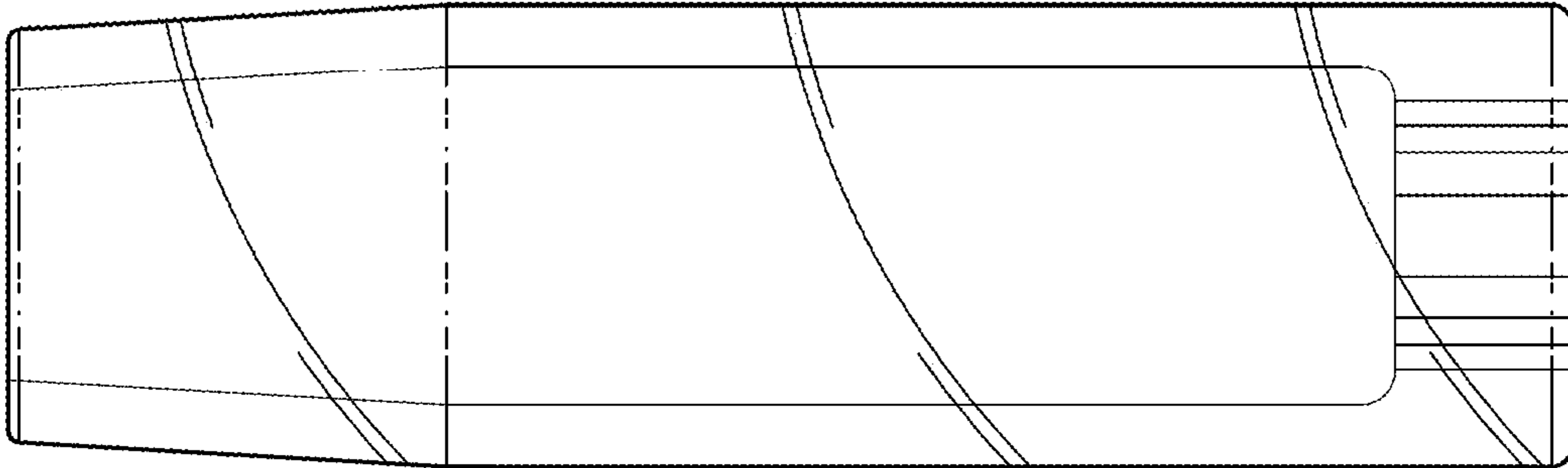


FIG. 4

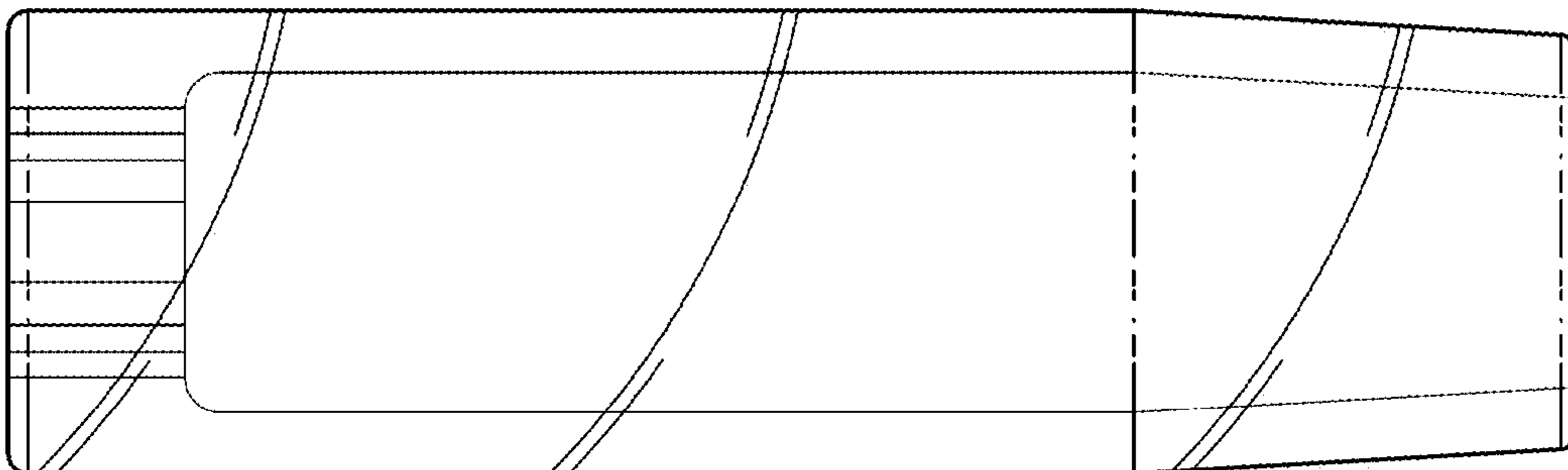
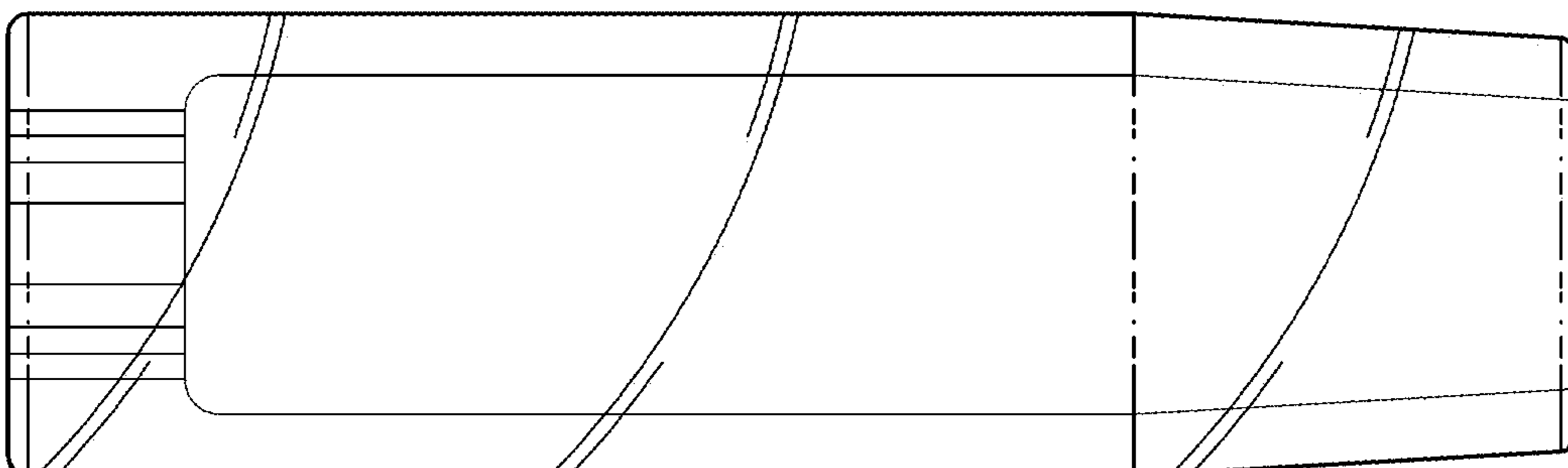
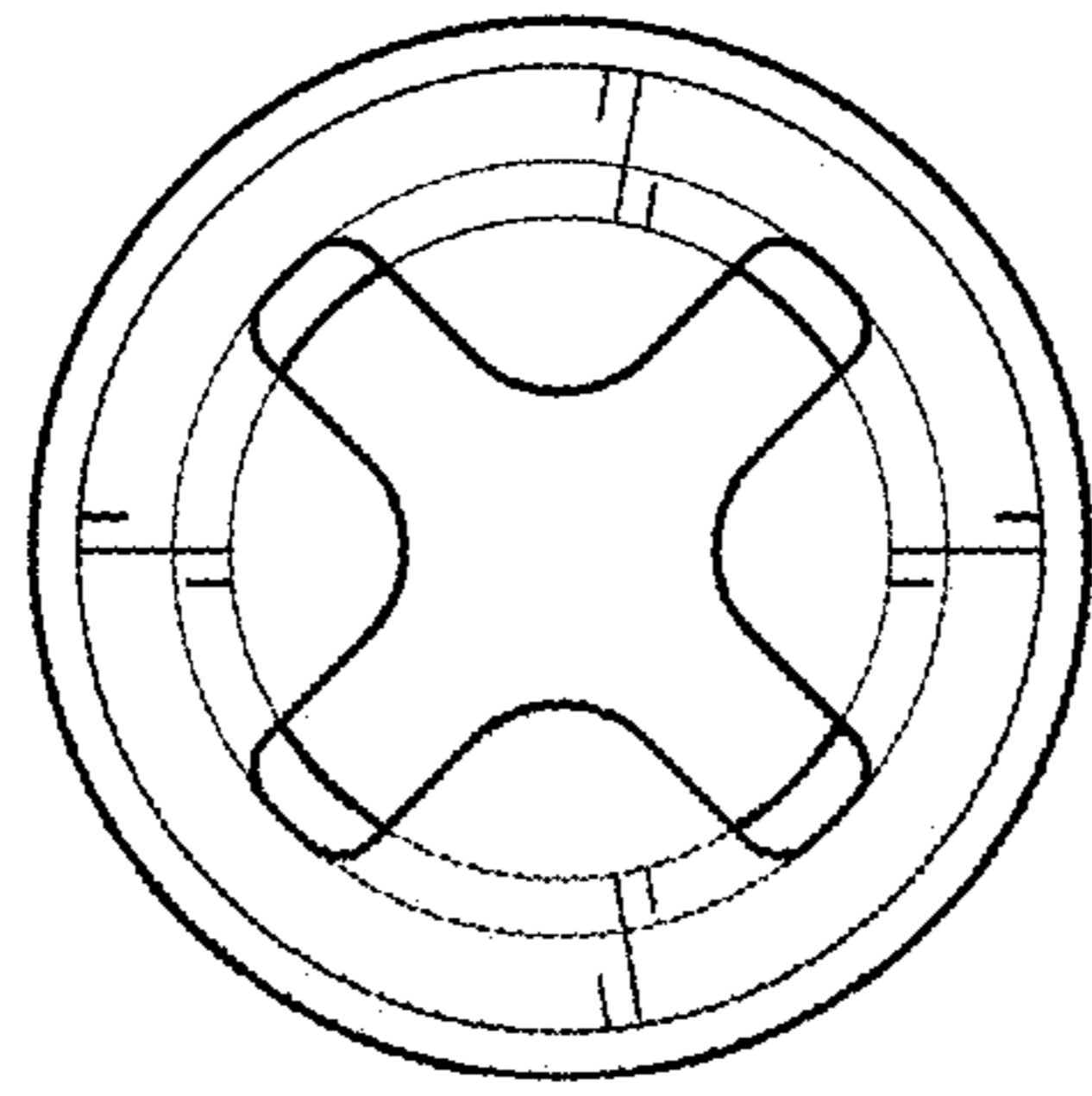


FIG. 5



8 ← *FIG. 6*



8 ←

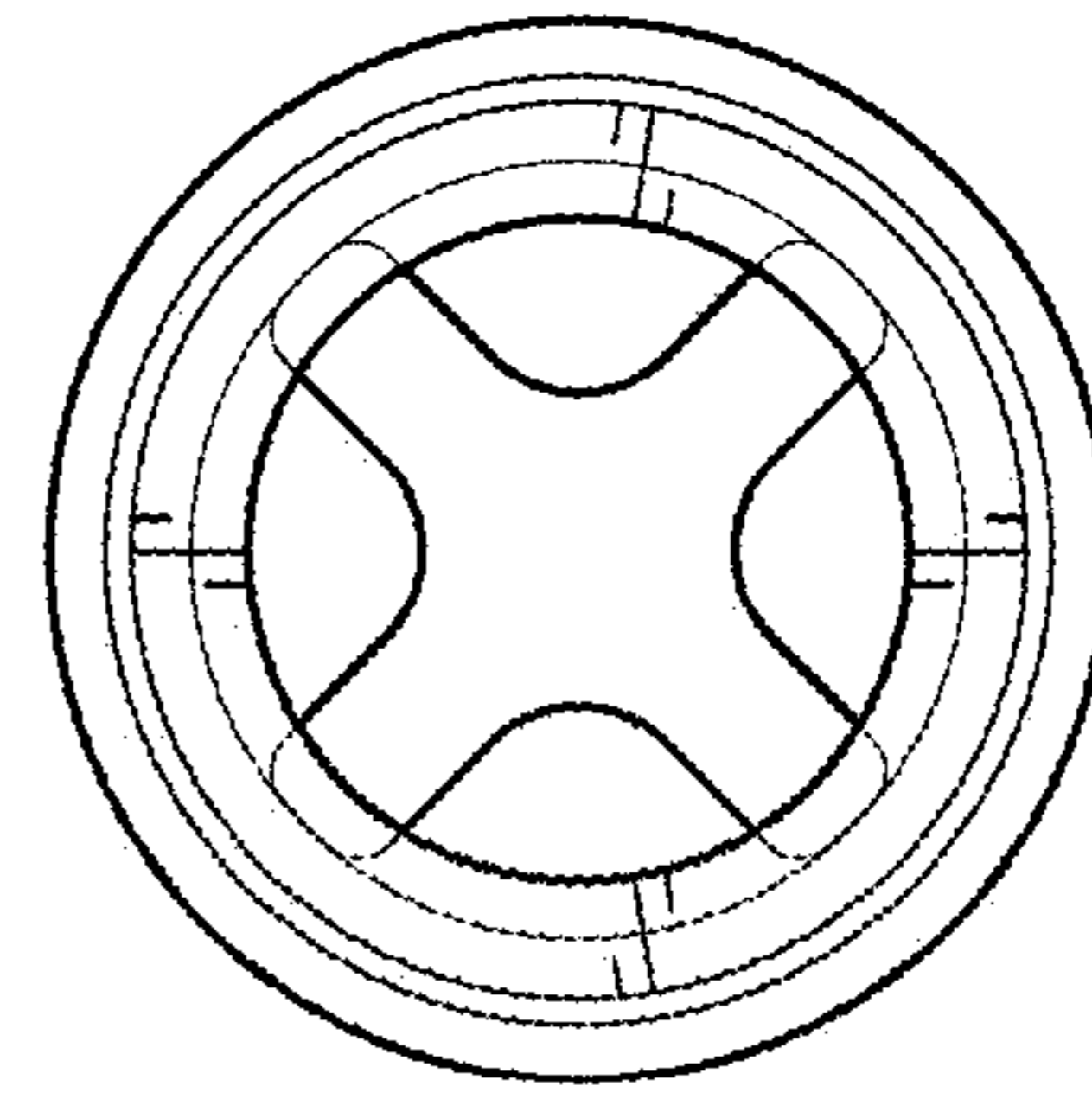


FIG. 7

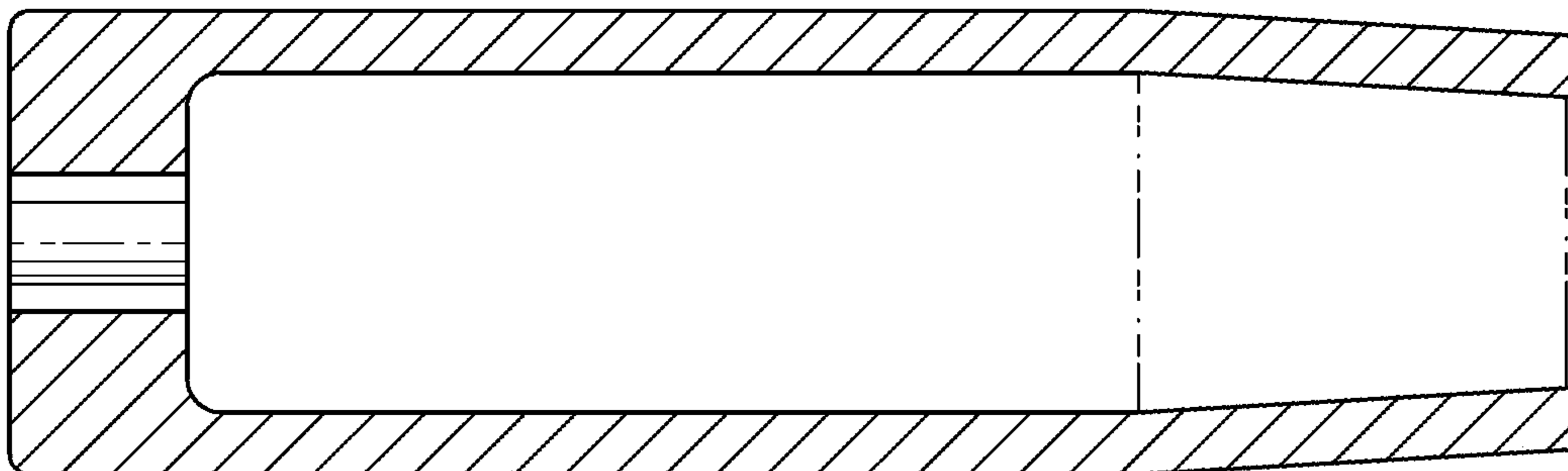


FIG. 8