



US00D986492S

(12) **United States Design Patent** (10) **Patent No.:** **US D986,492 S**  
**Ou** (45) **Date of Patent:** **\*\* May 16, 2023**

(54) **GLASS TIP**  
(71) Applicant: **R.Y.L. Inc.**, Commerce, CA (US)  
(72) Inventor: **Suk Hwan Ou**, Commerce, CA (US)  
(73) Assignee: **R.Y.L. INC.**, Commerce, CA (US)  
(\*\*) Term: **15 Years**  
(21) Appl. No.: **29/809,482**  
(22) Filed: **Sep. 28, 2021**  
(51) **LOC (14) Cl.** ..... **27-06**  
(52) **U.S. Cl.**  
USPC ..... **D27/193**  
(58) **Field of Classification Search**  
USPC ..... D27/193, 101, 162, 163, 167, 170, 171,  
D27/194; D24/224  
CPC ..... A24D 3/18; A24D 3/00  
See application file for complete search history.

D940,385 S \* 1/2022 Dodson ..... D27/162  
D940,388 S \* 1/2022 Fornarelli ..... D27/194  
D943,818 S \* 2/2022 Wang ..... D27/162  
D945,060 S \* 3/2022 Ou ..... D27/162  
D945,061 S \* 3/2022 Ou ..... D27/167  
D955,631 S \* 6/2022 Ou ..... D27/162  
2021/0352959 A1\* 11/2021 Ou ..... A24D 3/0283  
2022/0030940 A1\* 2/2022 Ou ..... A24F 1/28

**OTHER PUBLICATIONS**

Glass Cigarette Rolling Filter Tips By: Air Steward Tips found on Amazon (Nov. 19, 2022) <https://www.amazon.com/Air-Steward-Tips-Cigarette-8x35mm-Flat/dp/B07R9YV9PD> (Jun. 24, 2019).\*

\* cited by examiner

*Primary Examiner* — Rebecca Tsehaye  
(74) *Attorney, Agent, or Firm* — Womble Bond Dickinson (US) LLP

(57) **CLAIM**  
The ornamental design for a glass tip, as shown and described.

**DESCRIPTION**

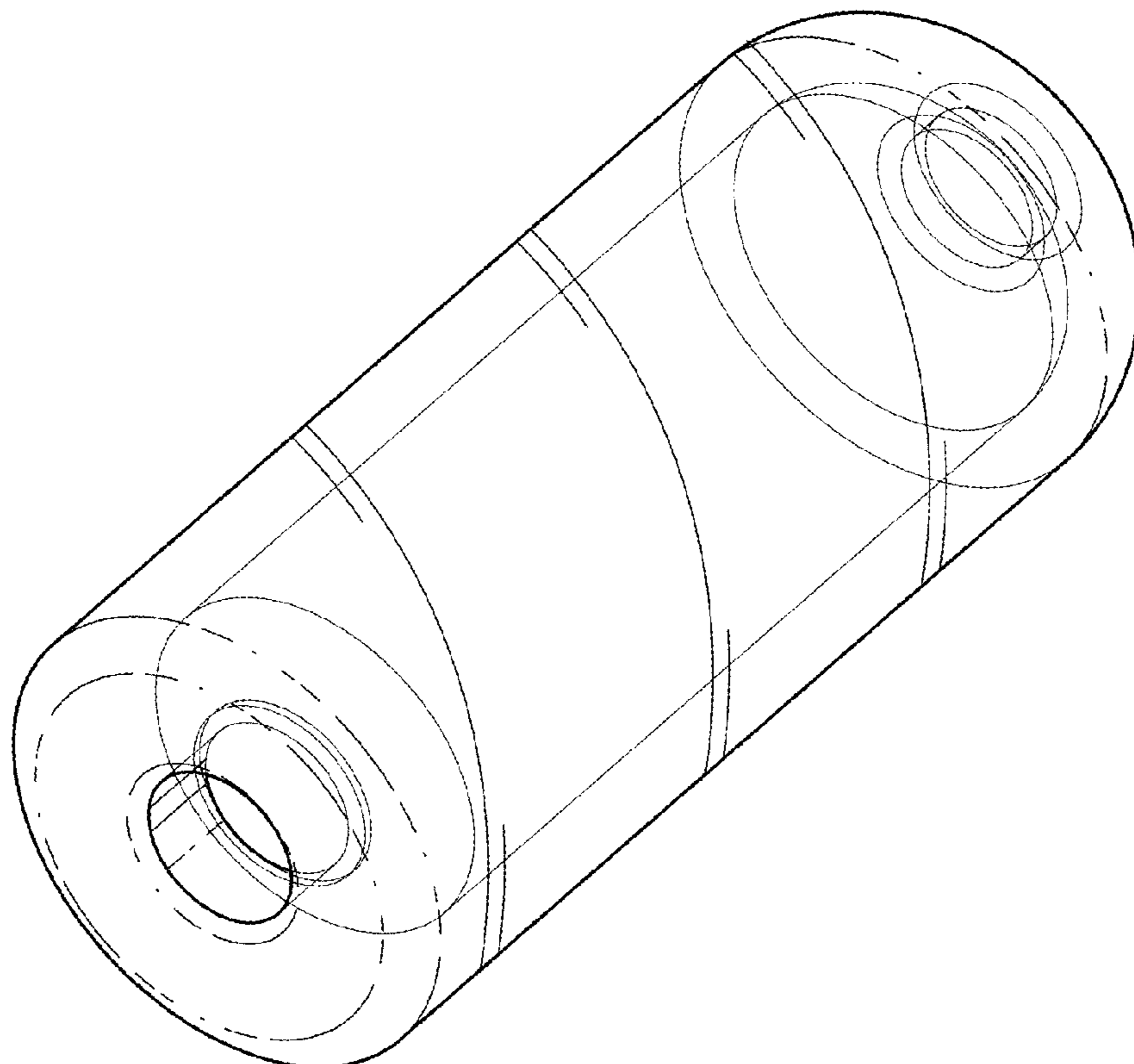
FIG. 1 is a bottom, side perspective view of the design;  
FIG. 2 is a right side plan view thereof;  
FIG. 3 is a left side plan view thereof;  
FIG. 4 is a front plan view thereof;  
FIG. 5 is a rear plan view thereof;  
FIG. 6 is a bottom elevation view thereof;  
FIG. 7 is a top elevation view thereof; and,  
FIG. 8 is a side plan view taken along line 8-8 of FIG. 6.

**1 Claim, 3 Drawing Sheets**

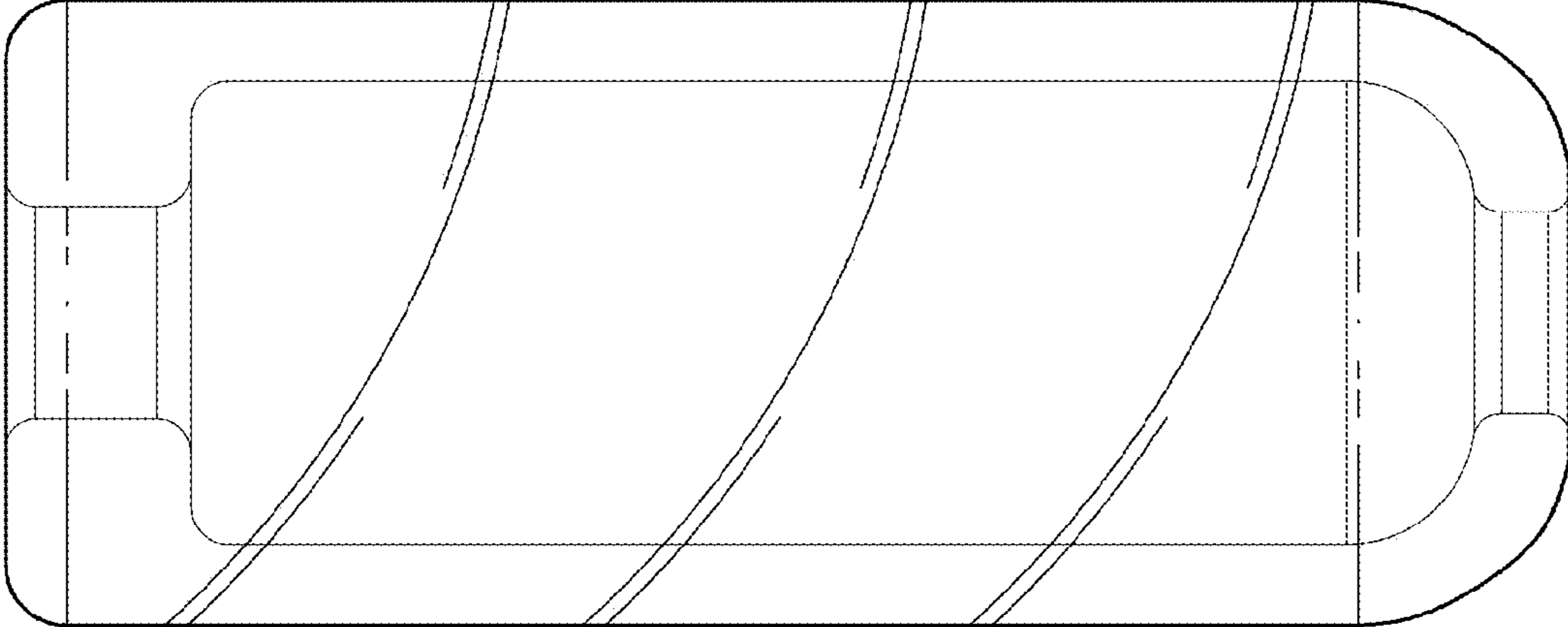
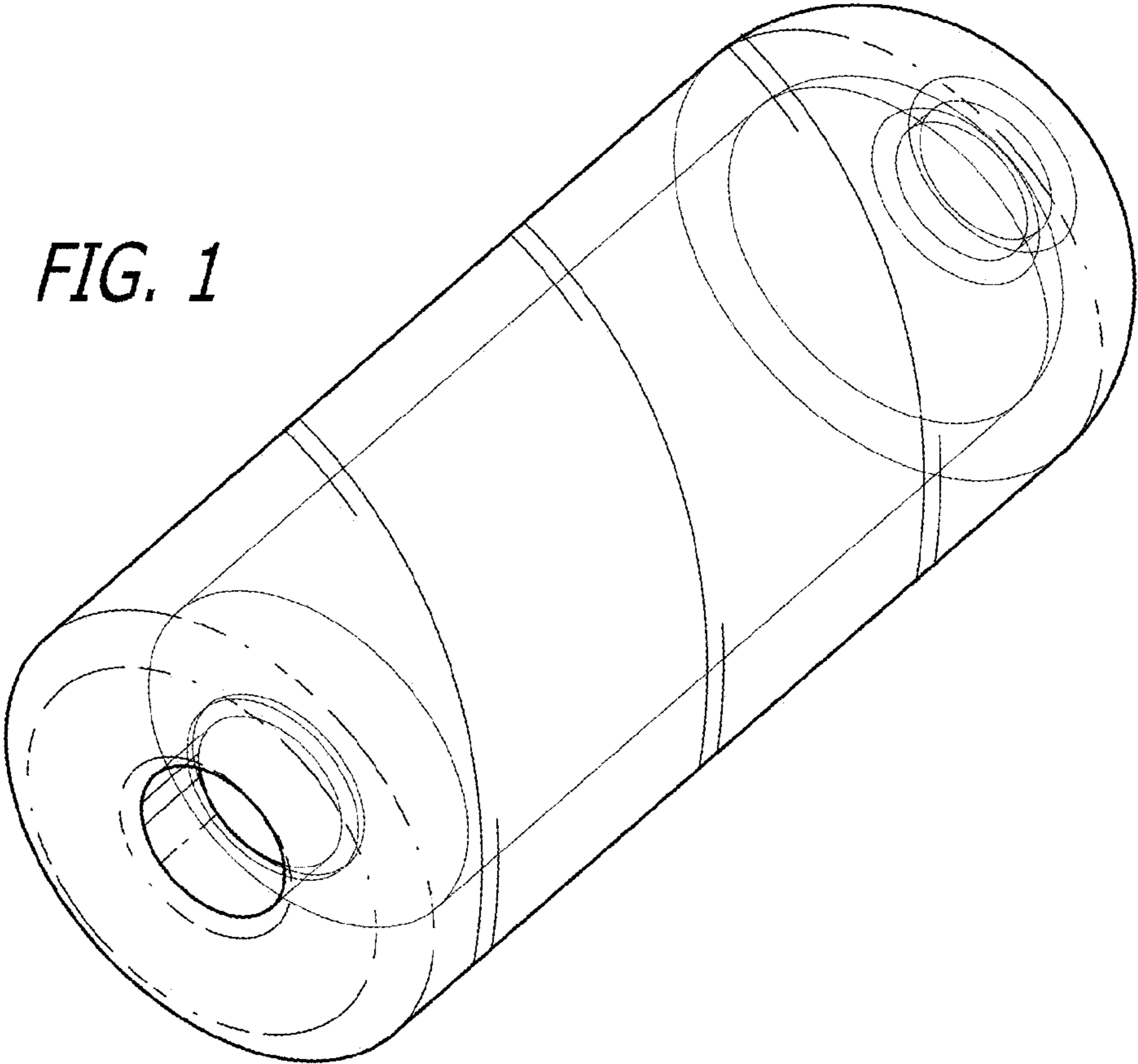
(56) **References Cited**

**U.S. PATENT DOCUMENTS**

D790,726 S \* 6/2017 Plante ..... D24/224  
D827,152 S \* 8/2018 Ou ..... D24/224  
D828,623 S \* 9/2018 Fornarelli ..... D27/194  
D862,795 S \* 10/2019 Caldas ..... D27/194  
D877,930 S \* 3/2020 Santamarta ..... D24/224  
D897,840 S \* 10/2020 Ou ..... D9/434  
D917,691 S \* 4/2021 Hamilton ..... A61B 5/097  
D24/224

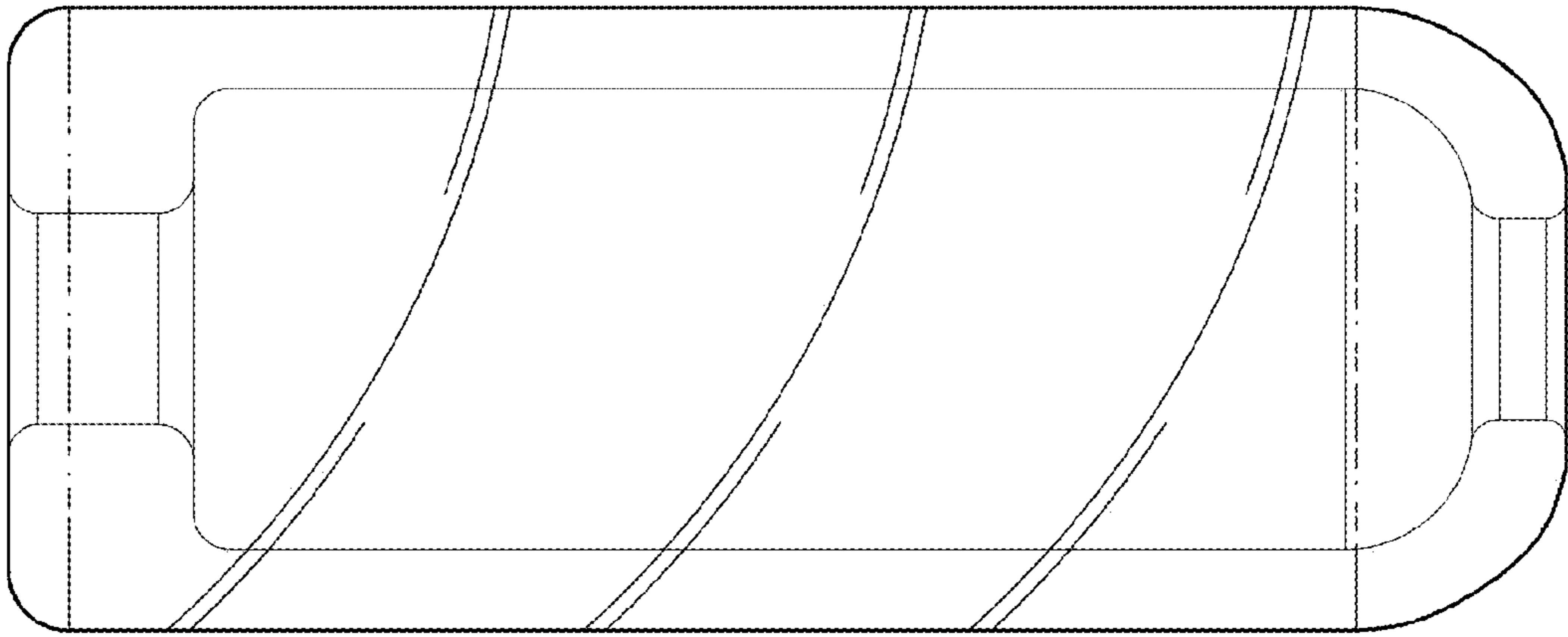


*FIG. 1*

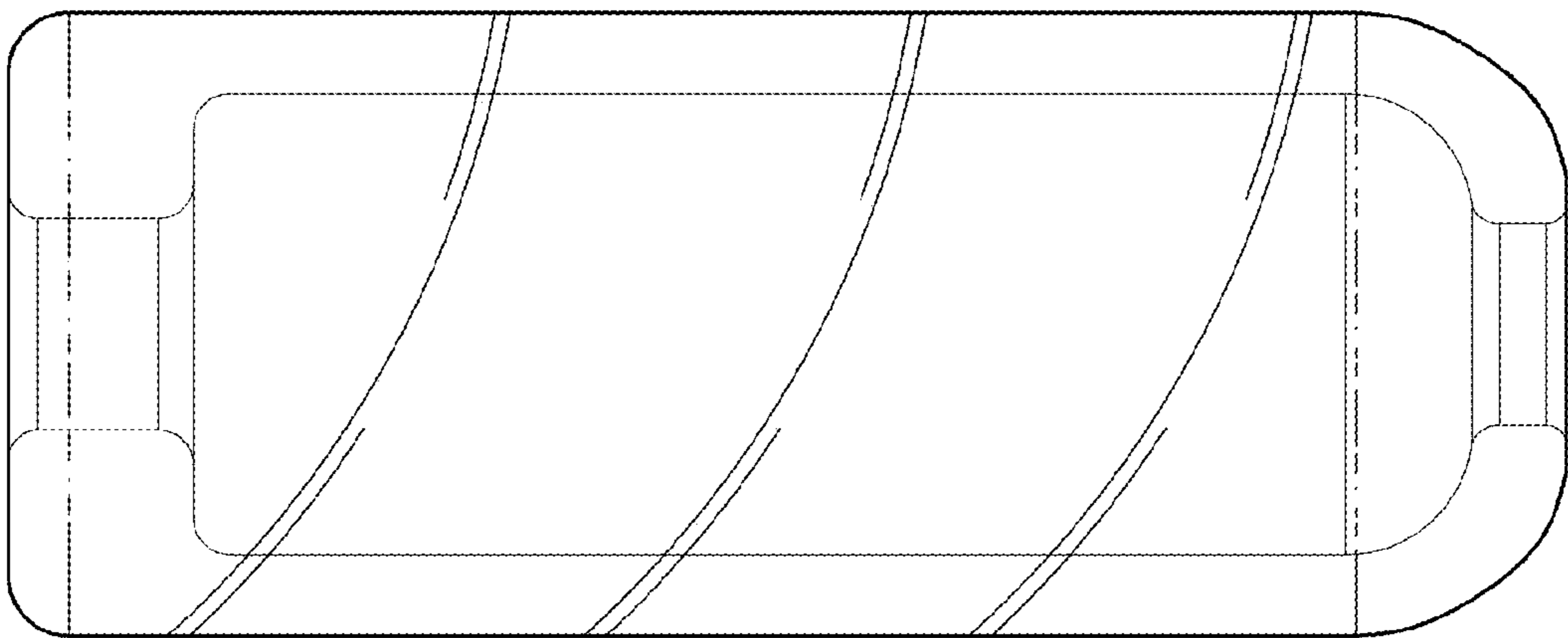


*FIG. 2*

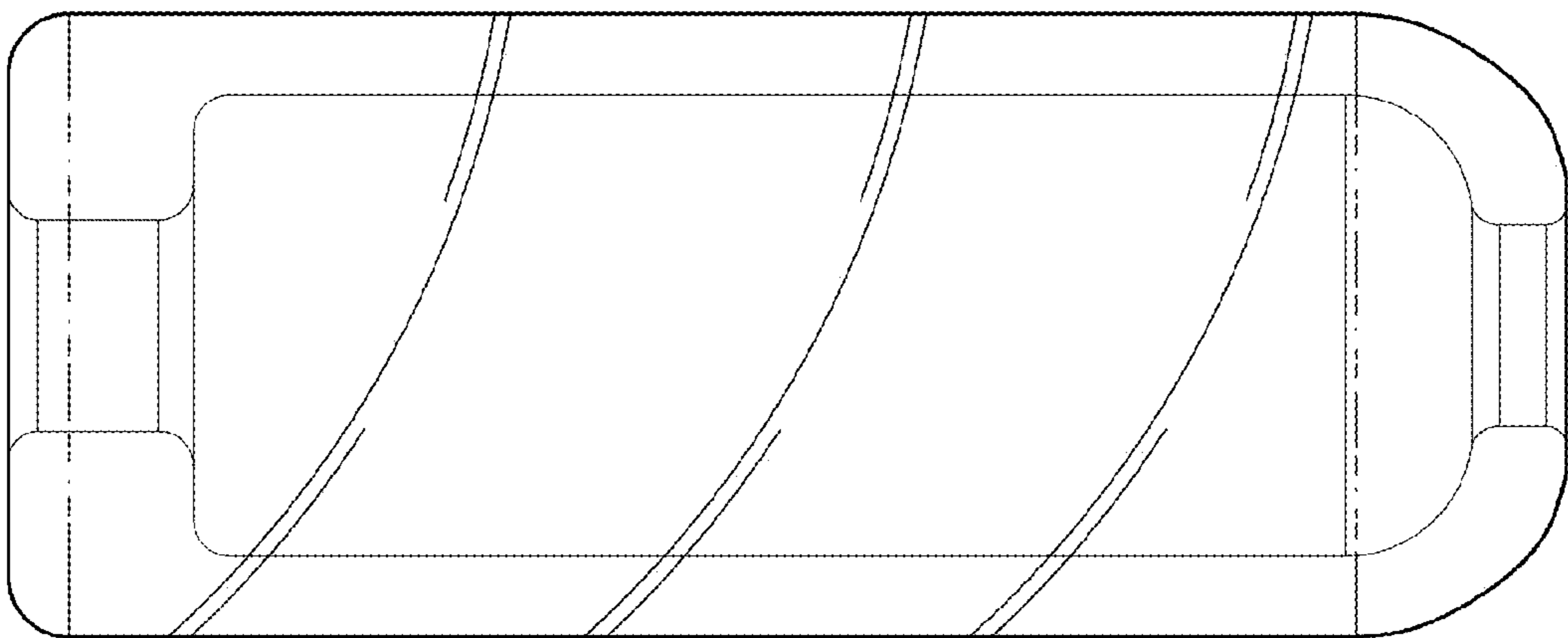
*FIG. 3*

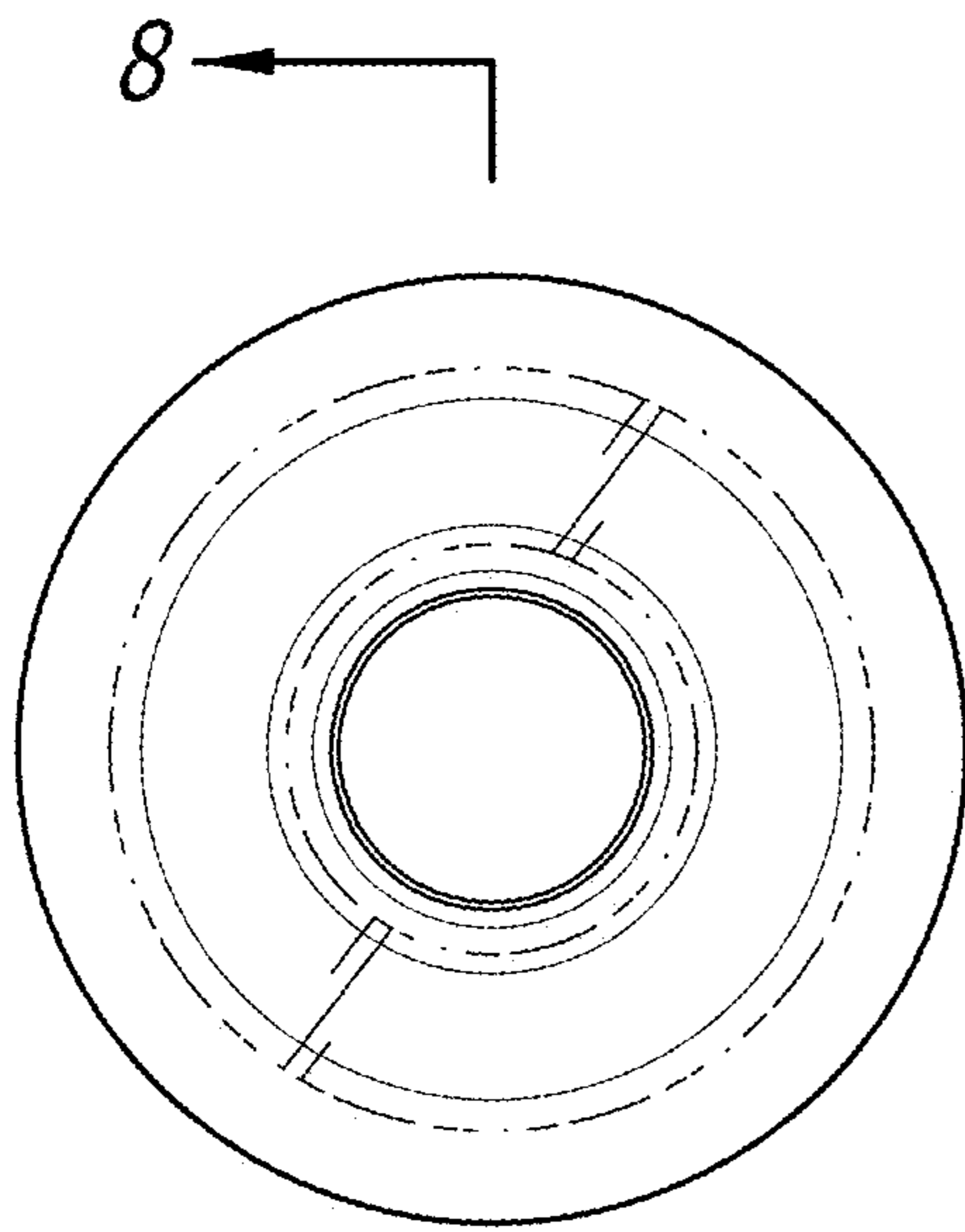


*FIG. 4*

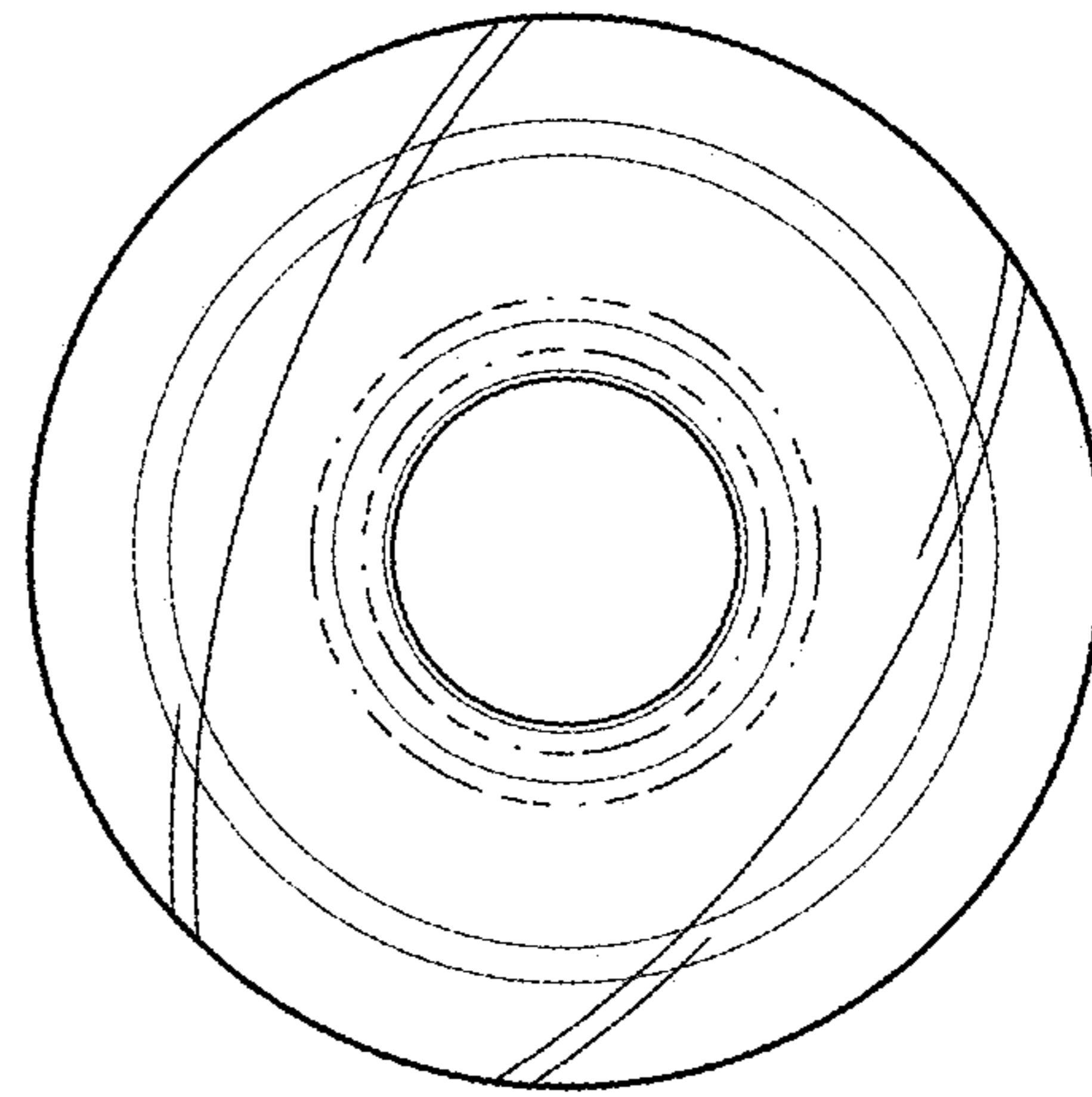


*FIG. 5*

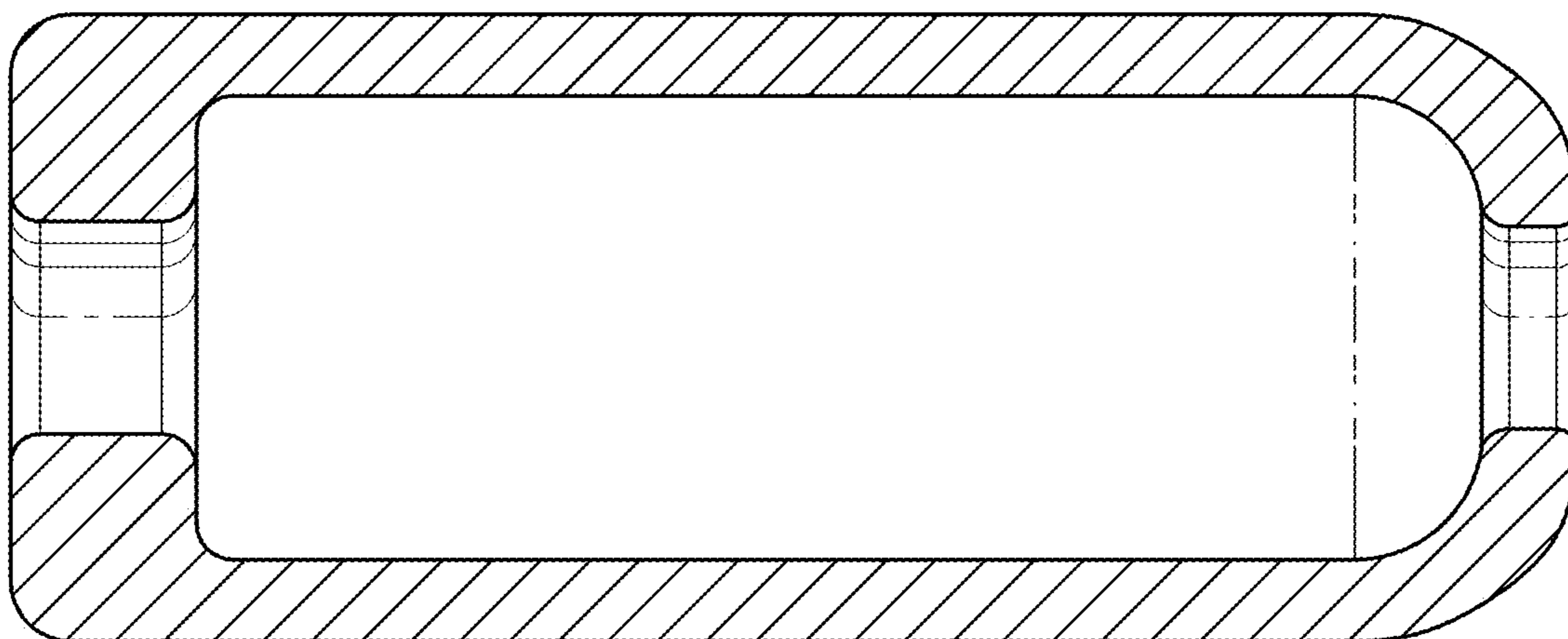




*FIG. 6*



*FIG. 7*



*FIG. 8*