



US00D986489S

(12) **United States Design Patent** (10) **Patent No.:** **US D986,489 S**  
**Choe** (45) **Date of Patent:** **\*\* May 16, 2023**

(54) **SMOKING PIPE ASSEMBLY**

(57) **CLAIM**

(71) Applicant: **Vessel Brand, Inc.**, Carlsbad, CA (US)

The ornamental design for a smoking pipe assembly, as shown and described.

(72) Inventor: **James Choe**, Carlsbad, CA (US)

(73) Assignee: **Vessel Brand, Inc.**, Fort Lauderdale, FL (US)

**DESCRIPTION**

(\*\*) Term: **15 Years**

FIG. 1 is a front perspective view of a smoking pipe assembly, showing my new design;

(21) Appl. No.: **29/783,841**

FIG. 2 is a front view thereof;

(22) Filed: **May 14, 2021**

FIG. 3 is a back view thereof;

(51) **LOC (14) Cl.** ..... **27-02**

FIG. 4 is a left side view thereof;

(52) **U.S. Cl.**

FIG. 5 is a right side view thereof;

USPC ..... **D27/163**

FIG. 6 is a top view thereof;

(58) **Field of Classification Search**

FIG. 7 is a bottom view thereof;

USPC ..... **D27/162, 100, 101, 163-172, 193**

FIG. 8 is an exploded perspective view of the smoking pipe assembly of FIG. 1;

(Continued)

FIG. 9 is a front perspective view of the airflow insert shown in the FIG. 8 assembly view of the smoking pipe assembly of FIG. 1;

(56) **References Cited**

FIG. 10 is a front view of the airflow insert shown in the FIG. 8 assembly view of the smoking pipe assembly of FIG. 1;

**U.S. PATENT DOCUMENTS**

FIG. 11 is a back side view of the airflow insert shown in the FIG. 8 assembly view of the smoking pipe assembly of FIG. 1;

D260,690 S \* 9/1981 Stutzer ..... D27/154  
4,676,237 A \* 6/1987 Wood ..... A61M 16/16  
261/130

(Continued)

FIG. 12 is a left side view of the airflow insert shown in the FIG. 8 assembly view of the smoking pipe assembly of FIG. 1;

**FOREIGN PATENT DOCUMENTS**

EP 2967137 B1 3/2021  
TW I629007 B 7/2018

FIG. 13 is a right side view of the airflow insert shown in the FIG. 8 assembly view of the smoking pipe assembly of FIG. 1;

**OTHER PUBLICATIONS**

7PipeTwisty Glass Blunt-Chillum & One-Hitters/Smoke Cartel\_  
[https://www.smokecartel.com/collections/chillum/products\\_04/06/2021](https://www.smokecartel.com/collections/chillum/products_04/06/2021)—18 pages.

FIG. 14 is a top view of the airflow insert shown in the FIG. 8 assembly view of the smoking pipe assembly of FIG. 1; and,

(Continued)

FIG. 15 is a bottom view of the airflow insert shown in the FIG. 8 assembly view of the smoking pipe assembly of FIG. 1.

The broken lines in the drawings depict portions of the smoking pipe assembly that form no part of the claimed design.

*Primary Examiner* — Rebecca Tsehaye  
(74) *Attorney, Agent, or Firm* — Lapple Ubell IP Law, LLP; Matthew C. Lapple

**1 Claim, 7 Drawing Sheets**



(58) **Field of Classification Search**

CPC ..... A24F 40/00; A24F 40/10; A24F 40/20;  
 A24F 40/40; A24F 40/42; A24F 1/00;  
 A24F 1/04; A24F 1/06; A24F 1/24; A24F  
 1/28; A24F 1/32; A61M 15/00; A61M  
 15/06

See application file for complete search history.

D869,750 S \* 12/2019 Zhang ..... D27/162  
 D871,662 S \* 12/2019 Volodarsky ..... D27/101  
 D883,566 S \* 5/2020 Filleul ..... D27/162  
 D921,969 S \* 6/2021 Simrell ..... D27/162  
 D930,897 S \* 9/2021 Qiu ..... D27/162  
 D959,733 S \* 8/2022 Powell ..... D27/162  
 D961,150 S \* 8/2022 Leung ..... D27/162  
 2022/0361561 A1 \* 11/2022 Choe ..... A24F 1/32

(56) **References Cited**

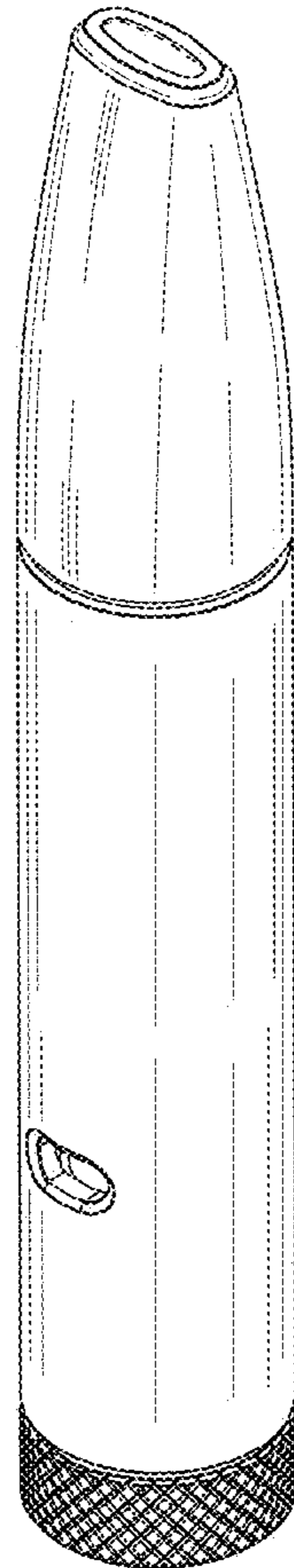
U.S. PATENT DOCUMENTS

4,771,796 A \* 9/1988 Myer ..... A24F 40/40  
 131/273  
 7,434,584 B2 10/2008 Steinberg  
 D720,094 S \* 12/2014 Alima ..... D27/101  
 D720,496 S \* 12/2014 Alima ..... D27/101  
 D723,215 S \* 2/2015 Chen ..... D27/101  
 D723,216 S \* 2/2015 Chen ..... D27/101  
 D724,782 S \* 3/2015 Wu ..... D27/101  
 D761,487 S \* 7/2016 Han ..... D27/162  
 D776,868 S \* 1/2017 Rado ..... D27/162  
 D790,122 S \* 6/2017 Hawes ..... D27/101  
 D800,383 S \* 10/2017 Verleur ..... D27/167  
 D813,448 S \* 3/2018 Servutas ..... D27/167  
 9,968,127 B2 5/2018 Han  
 D825,844 S \* 8/2018 Verleur ..... D27/167  
 D861,242 S \* 9/2019 Han ..... D27/162

OTHER PUBLICATIONS

Roor Glass Chillum/4 inch/Grasscity.com\_https://www.grasscity.com/roor-glass-chillum-4-inch.html\_2/17/2021—6 pages.  
 Spring-Loaded Metal One-Hitter Bat/2 Inch/Grasscity.com\_https://www.grasscity.com/spring-loaded-metal-one-hitter-bat-2-inch.html?refSrc=4537 & nosto=nosto-page-product1\_2/17/2021—7 pages.  
 Digger One Hitter Pipe—Brass Bat/Grasscity.com\_https://www.grasscity.com/digger-one-hitter-pepe-brass-bat.html?nosto=nosto-page-category1\_2/17/2021—6 pages.  
 One-hitter (smoking)—wikipedia\_https://en.wikipedia-org/wiki/One-hitter\_(smoking)\_2/17/2021—3 pages.  
 Digger One Hitter Pipe-Cigarette-Style Bat/Glasscity.com\_https://www.grasscity.com/original-digger-one-hitter-pipe-cigarette-style-bat.html? nosto=nosto-page-category1\_2/17/2021—5 pages.  
 Chillum (pipe)—Wikipedia\_https://en.wikipedia.org/wiki/Chillum\_(pipe)\_6/8/2021—2 pages.

\* cited by examiner



**FIG. 1**

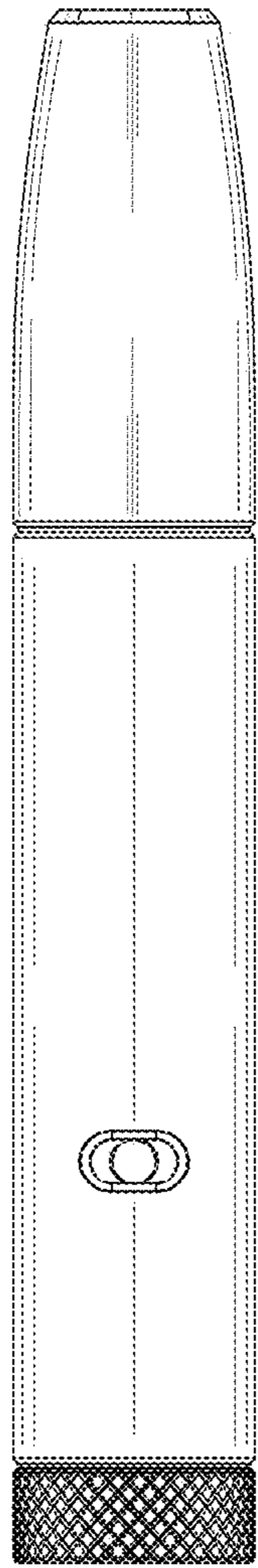


FIG. 2

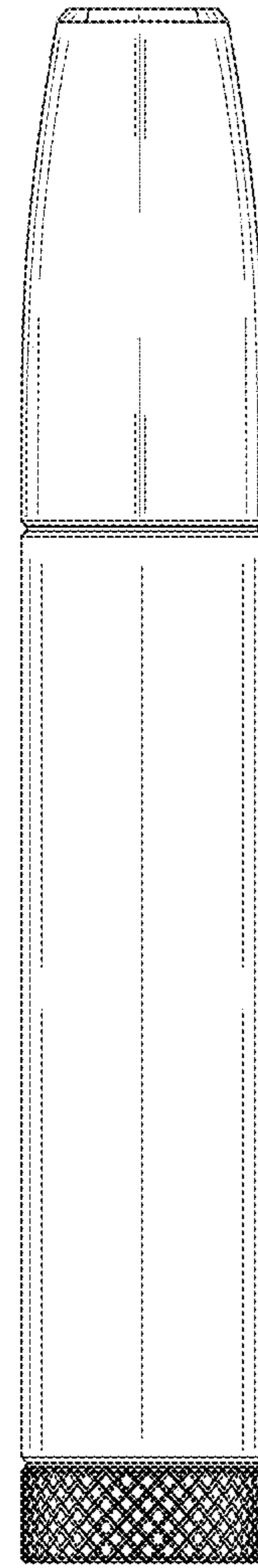


FIG. 3

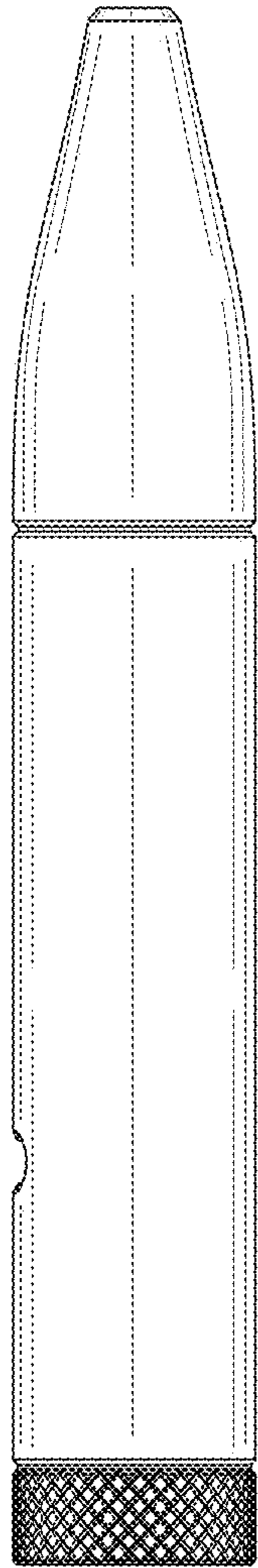


FIG. 4

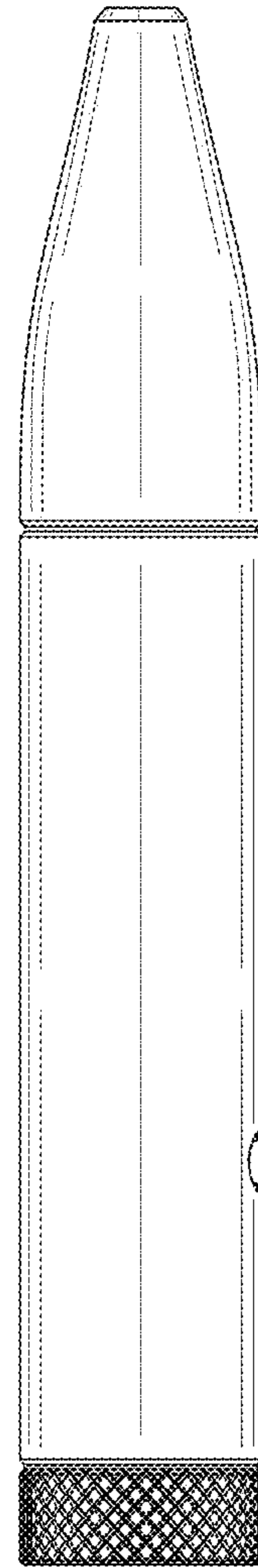
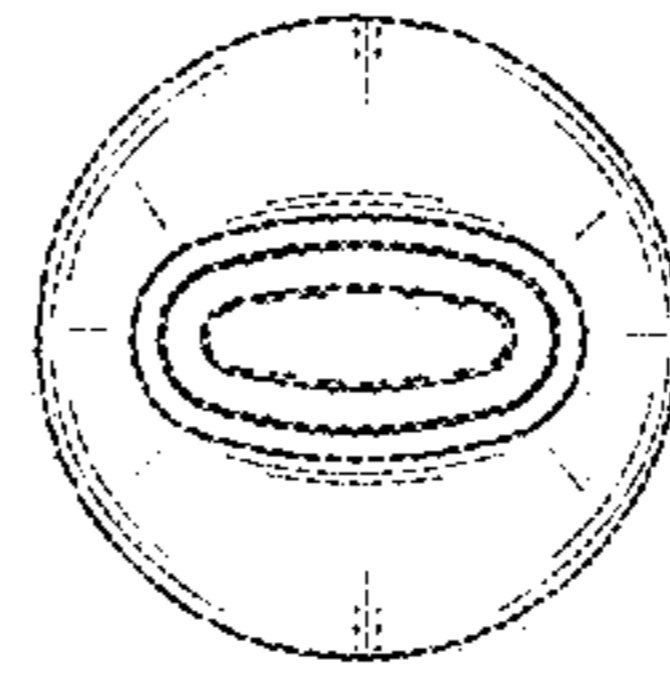
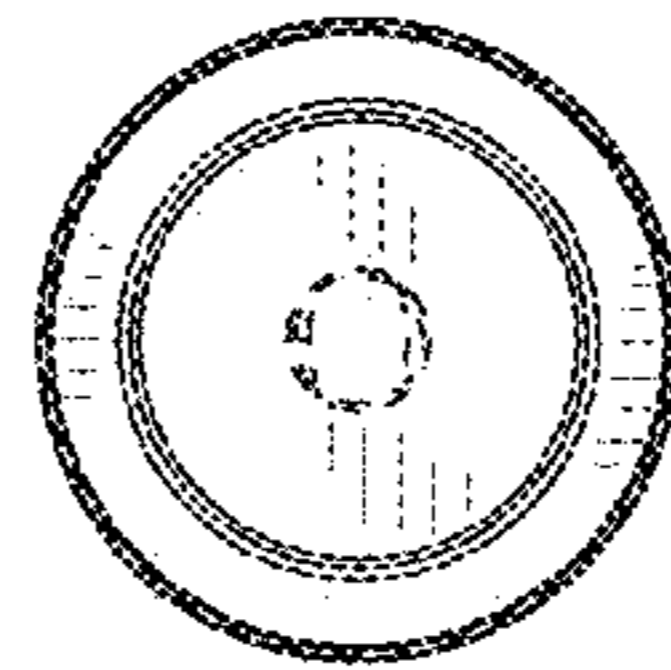


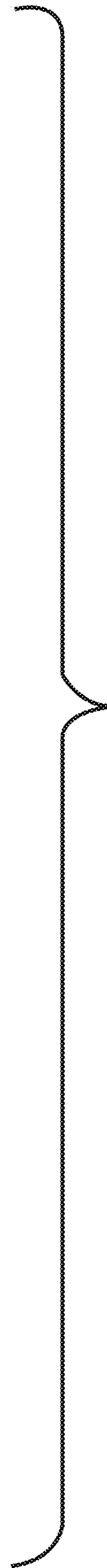
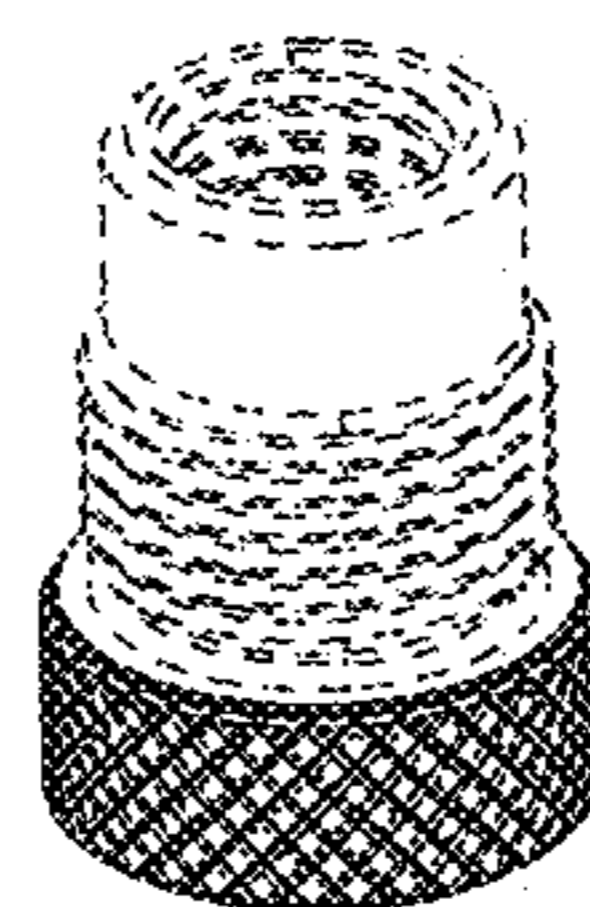
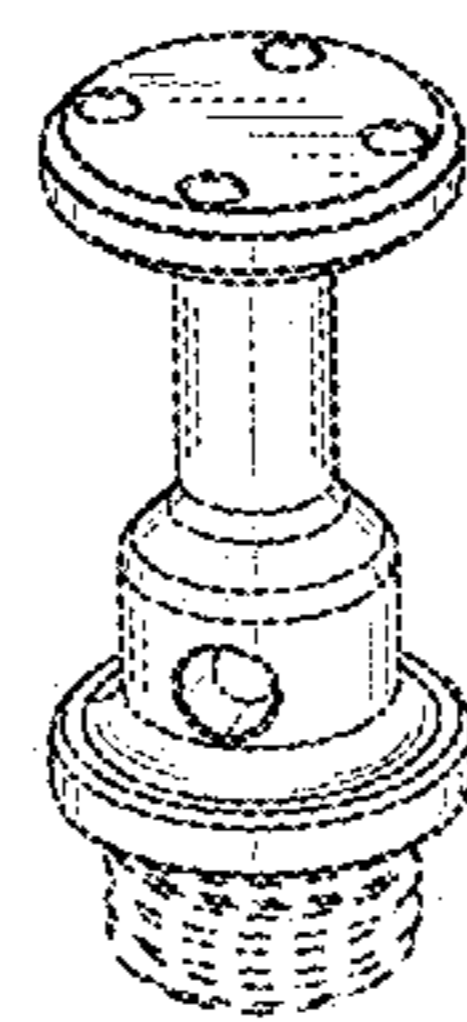
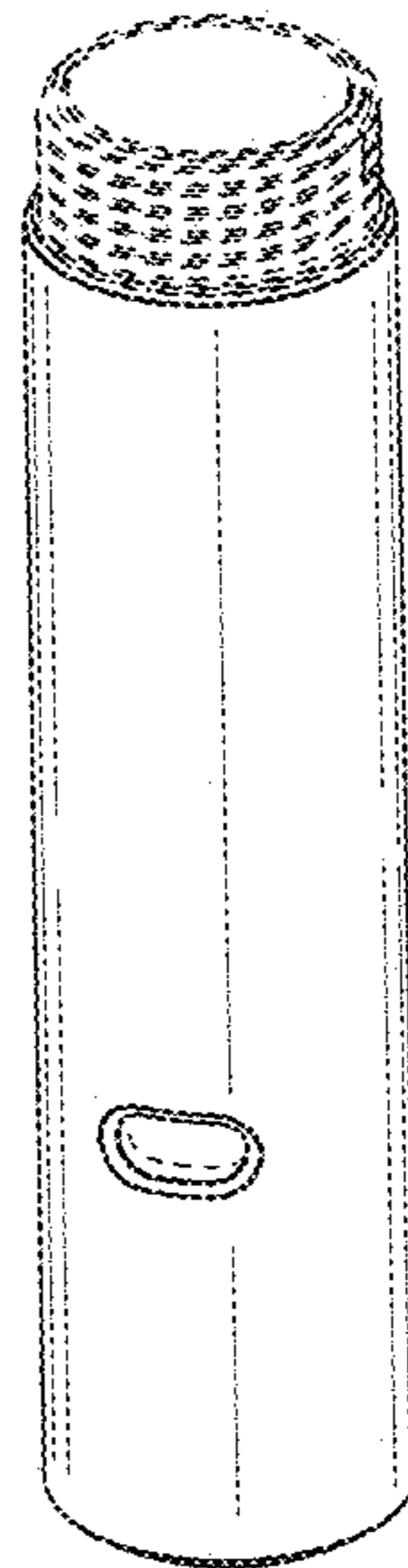
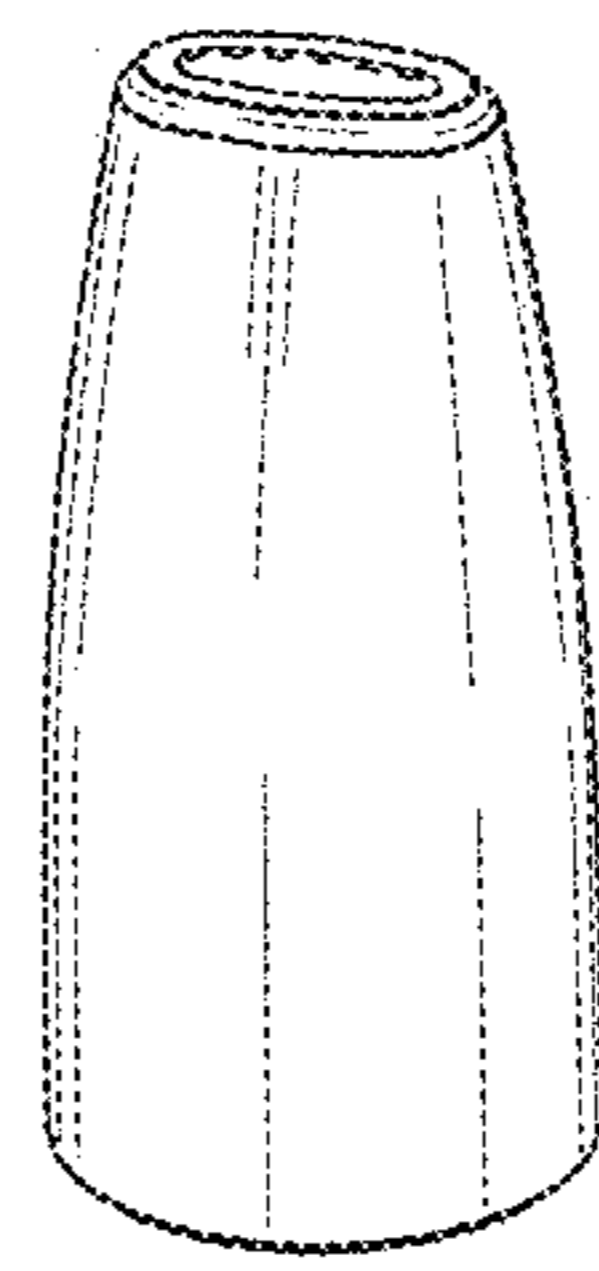
FIG. 5



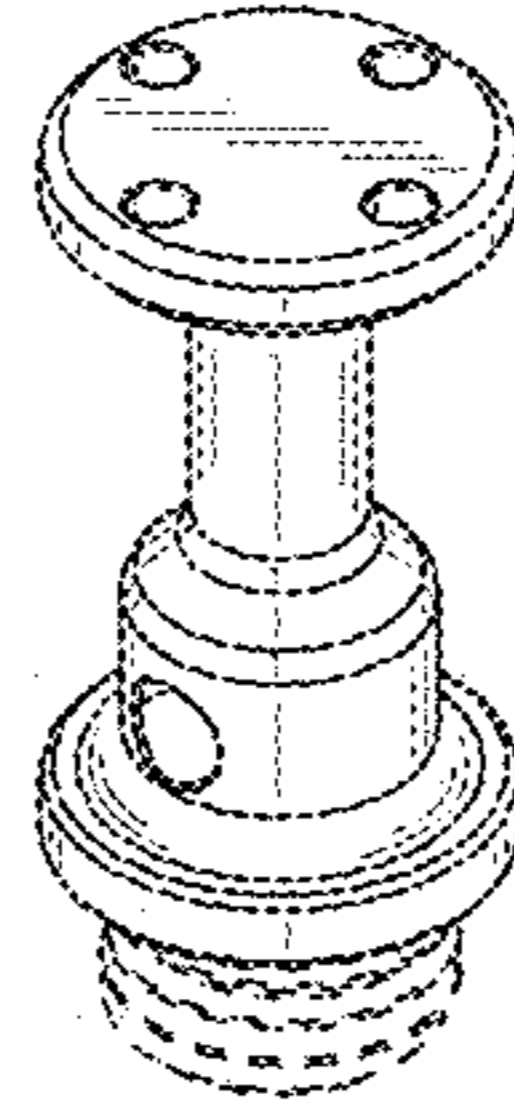
**FIG. 6**



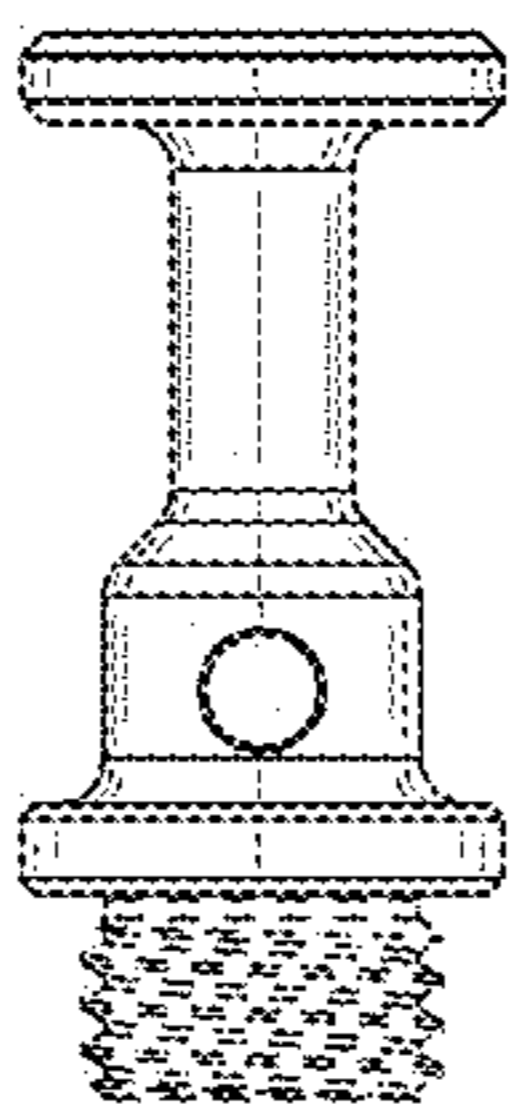
**FIG. 7**



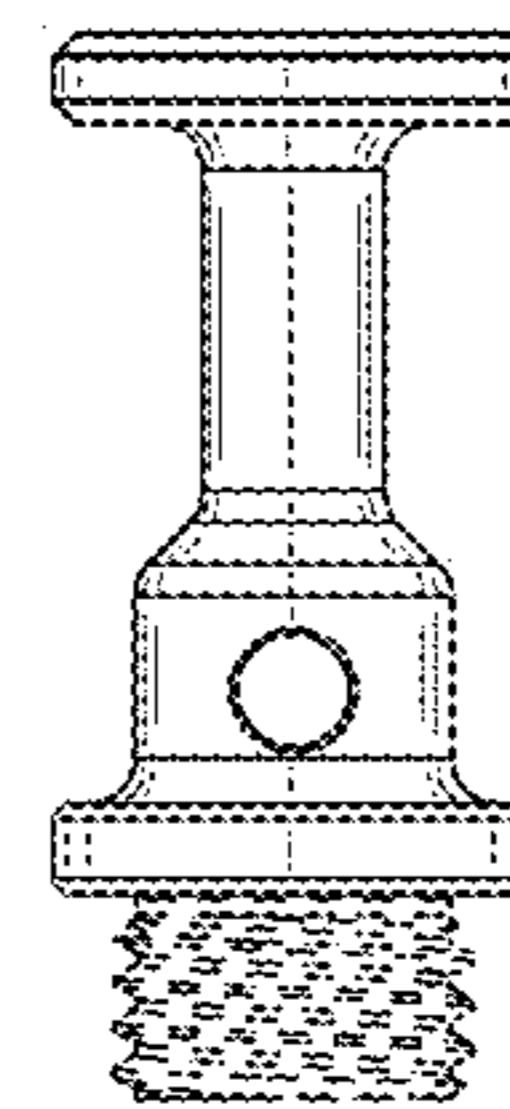
**FIG. 8**



**FIG. 9**

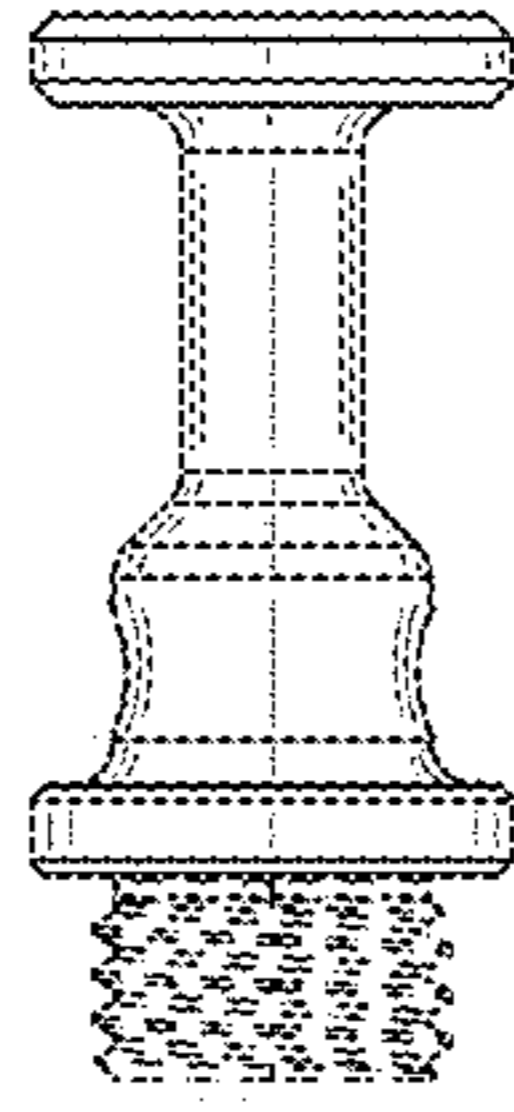


**FIG. 10**

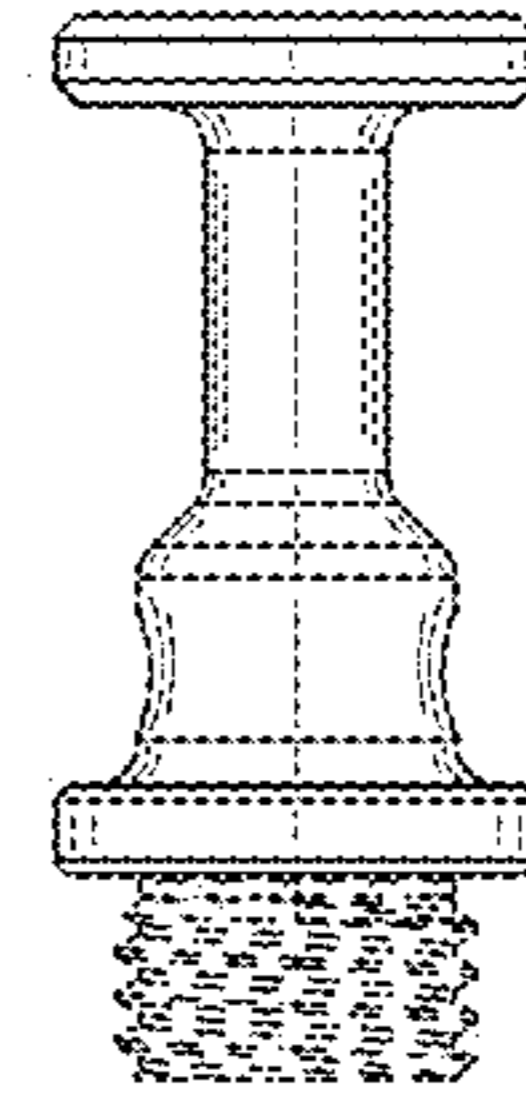


**FIG. 11**

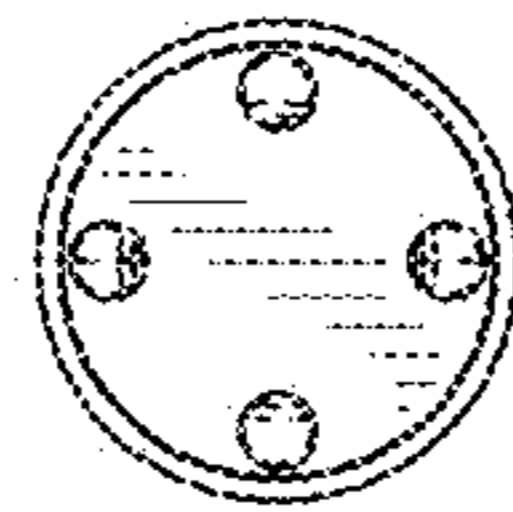




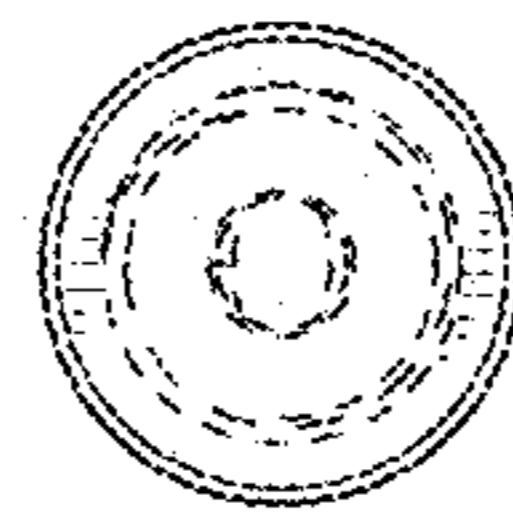
**FIG. 12**



**FIG. 13**



**FIG. 14**



**FIG. 15**