



US00D986488S

(12) **United States Design Patent** (10) **Patent No.:** **US D986,488 S**
Liu (45) **Date of Patent:** **** May 16, 2023**

(54) **HEATING CUP FOR AN ELECTRONIC CIGARETTE**

(71) Applicant: **Shenzhen Eigate Technology Co., Ltd.**, Shenzhen (CN)

(72) Inventor: **Tuanfang Liu**, Shenzhen (CN)

(73) Assignee: **ASPIRE NORTH AMERICA LLC**

(**) Term: **15 Years**

(21) Appl. No.: **29/787,582**

(22) Filed: **Jun. 7, 2021**

(30) **Foreign Application Priority Data**

Dec. 7, 2020 (CN) 202030748990.3

(51) **LOC (14) Cl.** **27-02**

(52) **U.S. Cl.**
USPC **D27/167**

(58) **Field of Classification Search**

USPC D27/101, 162-165, 169, 172, 180, 183,
D27/194; D23/360

CPC A24F 40/00; A24F 40/10; A24F 40/20;
A24F 40/40; A24F 40/42

See application file for complete search history.

(56) **References Cited**

U.S. PATENT DOCUMENTS

D665,297 S * 8/2012 Parris D11/40
D735,934 S * 8/2015 Saikaly D27/169
D743,098 S * 11/2015 Hehir D27/163
D814,694 S * 4/2018 Watson D27/194
D844,227 S * 3/2019 Hoch D27/162

D874,717 S * 2/2020 Nhep D27/162
D914,961 S * 3/2021 Li D27/162
D916,364 S * 4/2021 Li D27/162
D930,785 S * 9/2021 Hillyard D23/207
D943,169 S * 2/2022 Houkal D27/162
D946,819 S * 3/2022 Naddour D27/162
D948,784 S * 4/2022 Liu D27/169
D960,435 S * 8/2022 Liu D27/162
2021/0360973 A1 * 11/2021 Liu A24F 1/32

* cited by examiner

Primary Examiner — Rebecca Tsehaye

(74) *Attorney, Agent, or Firm* — Matthias Scholl P.C.;
Matthias Scholl

(57) **CLAIM**

The ornamental design for a heating cup for an electronic cigarette, as shown and described.

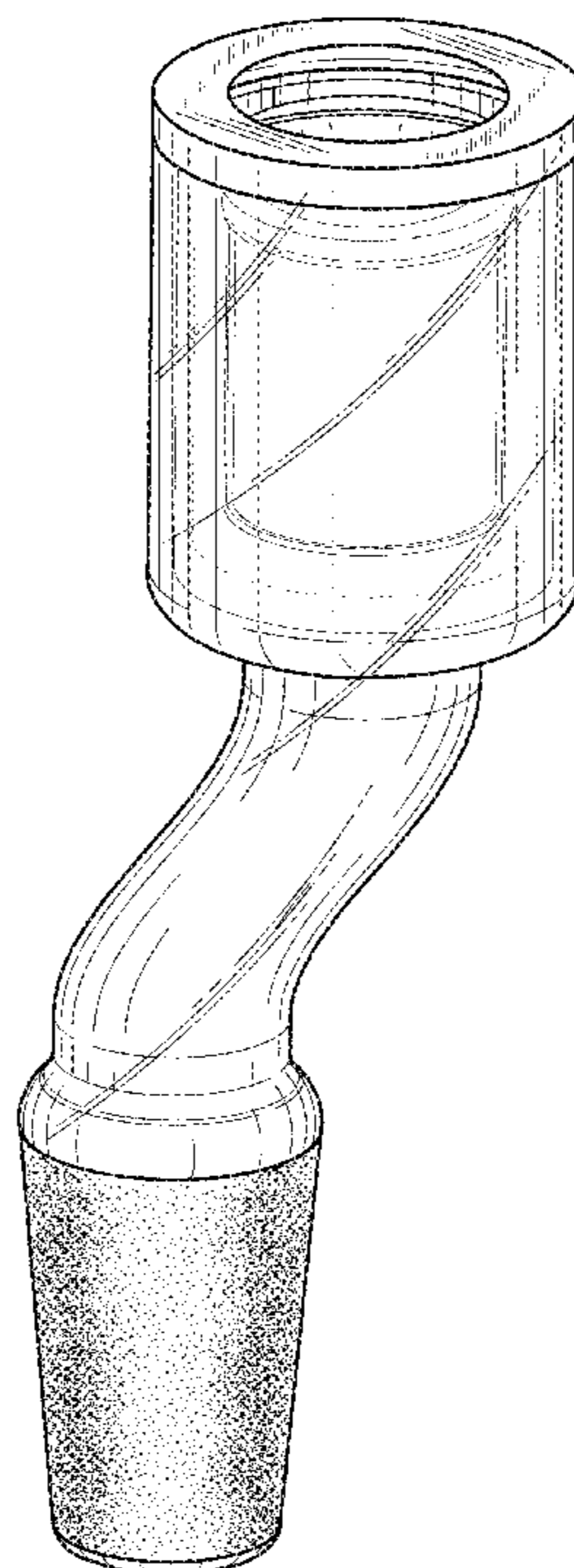
DESCRIPTION

FIG. 1 is a front elevation view of a heating cup for an electronic cigarette;
FIG. 2 is a rear elevation view thereof;
FIG. 3 is a left-side elevation view thereof;
FIG. 4 is a right-side elevation view thereof;
FIG. 5 is a top plan view thereof;
FIG. 6 is a bottom plan view thereof; and,
FIG. 7 is a perspective view thereof.

Oblique lines on the heating cup for an electronic cigarette indicate that those surfaces are transparent.

The broken lines in the drawings depict portions of the heating cup for an electronic cigarette that form no part of the claimed design.

1 Claim, 7 Drawing Sheets



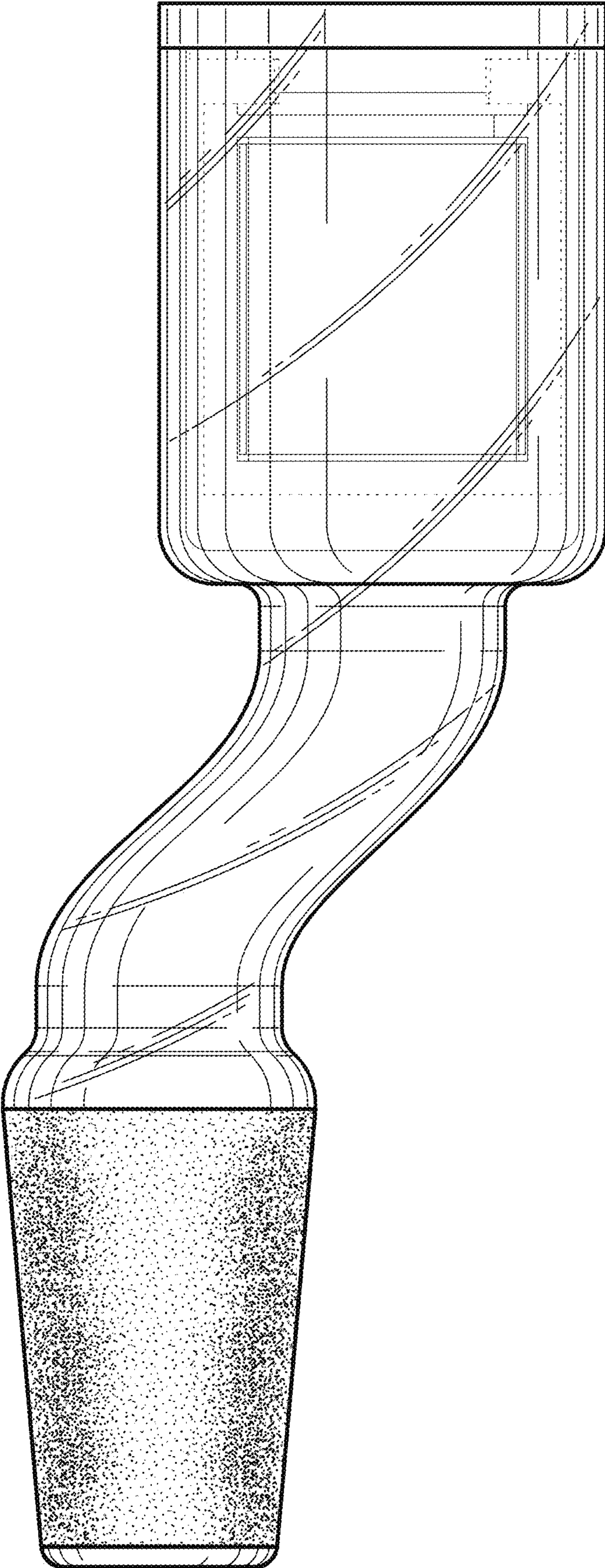


FIG. 1

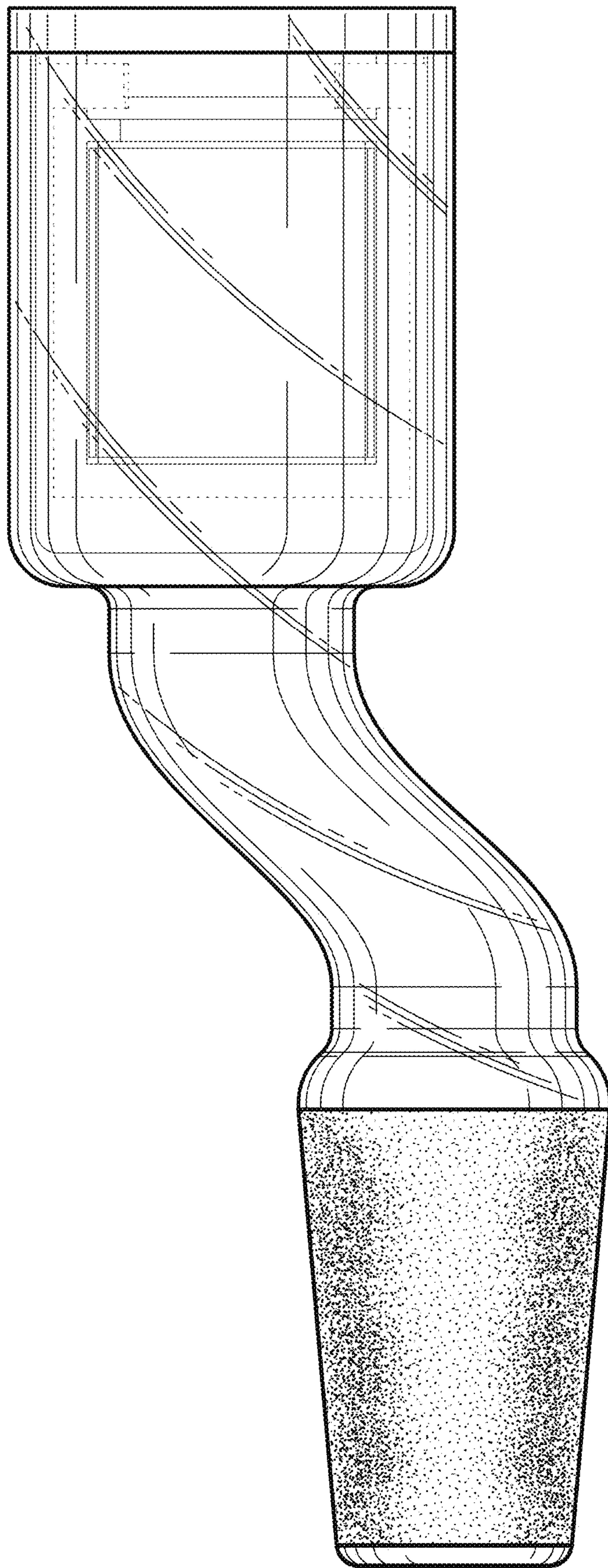


FIG. 2

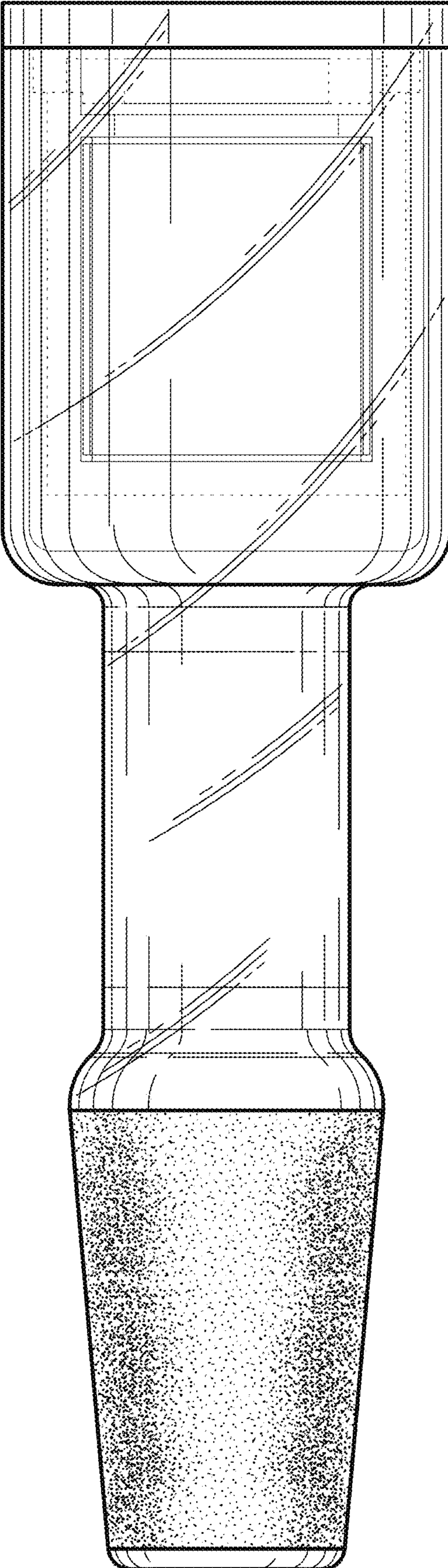


FIG. 3

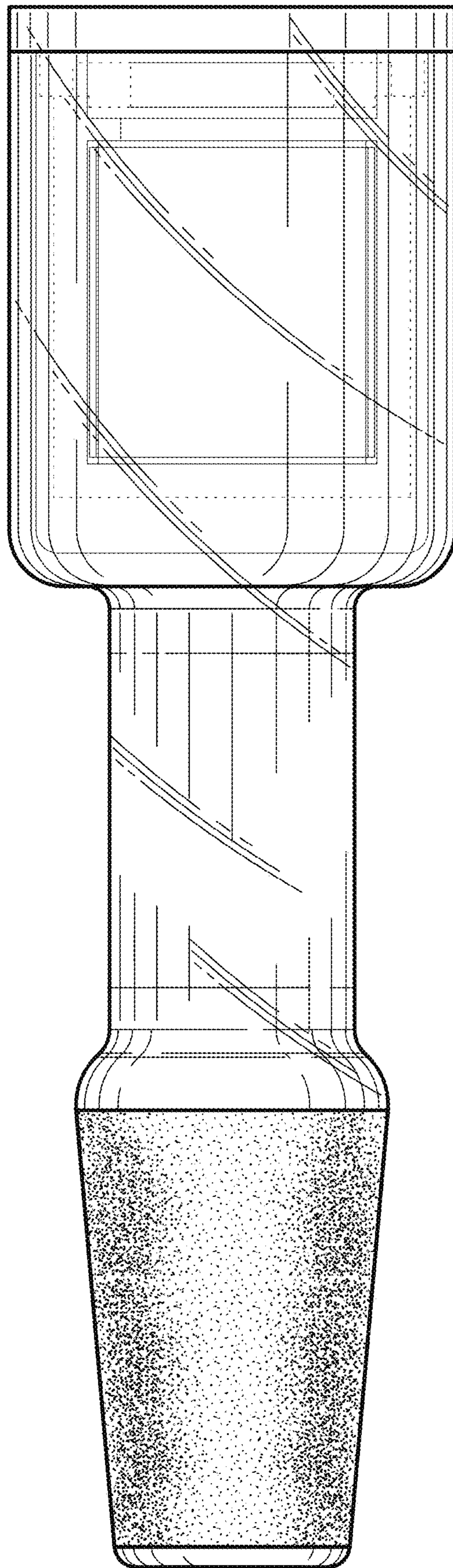


FIG. 4

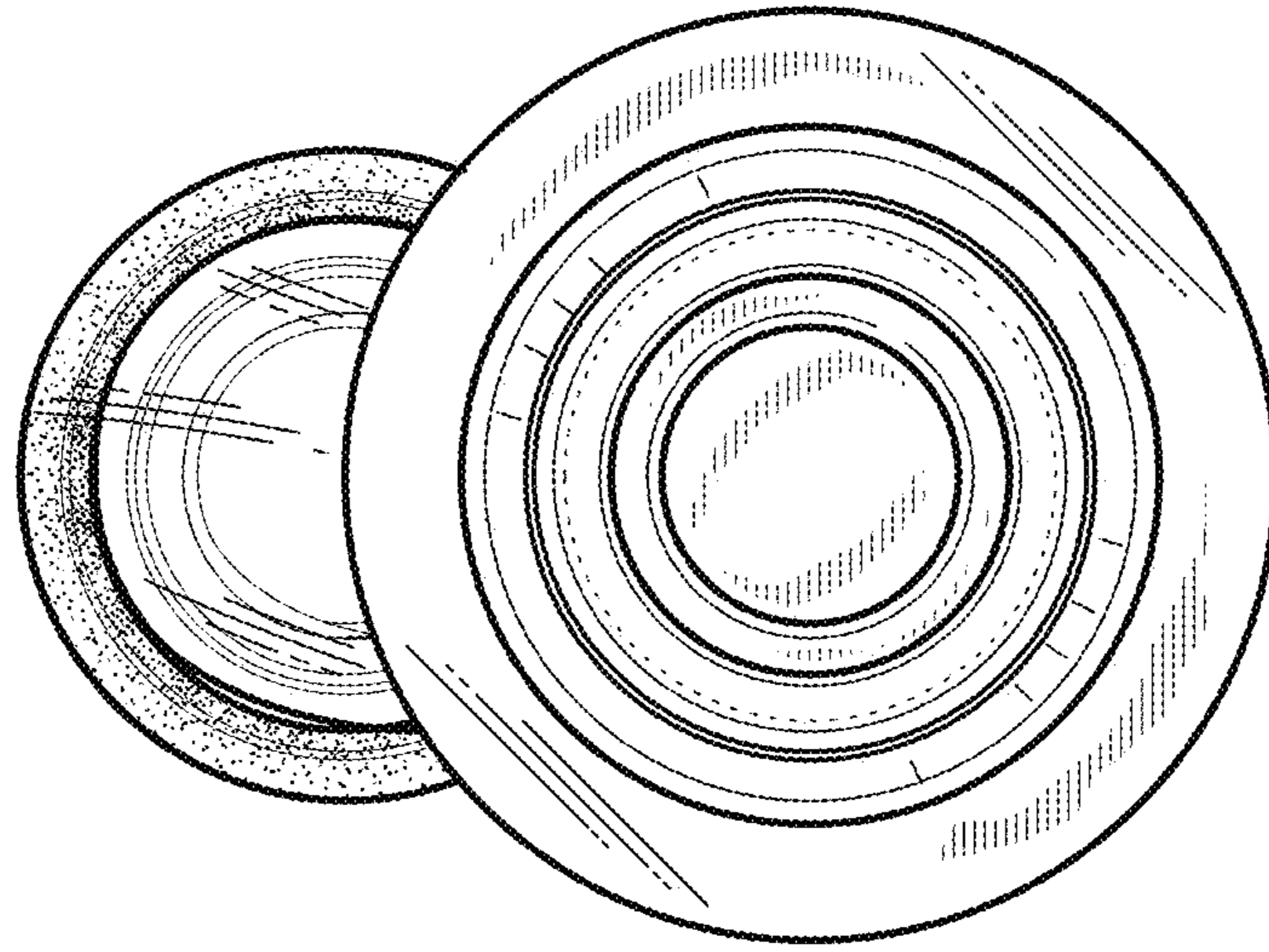


FIG. 5

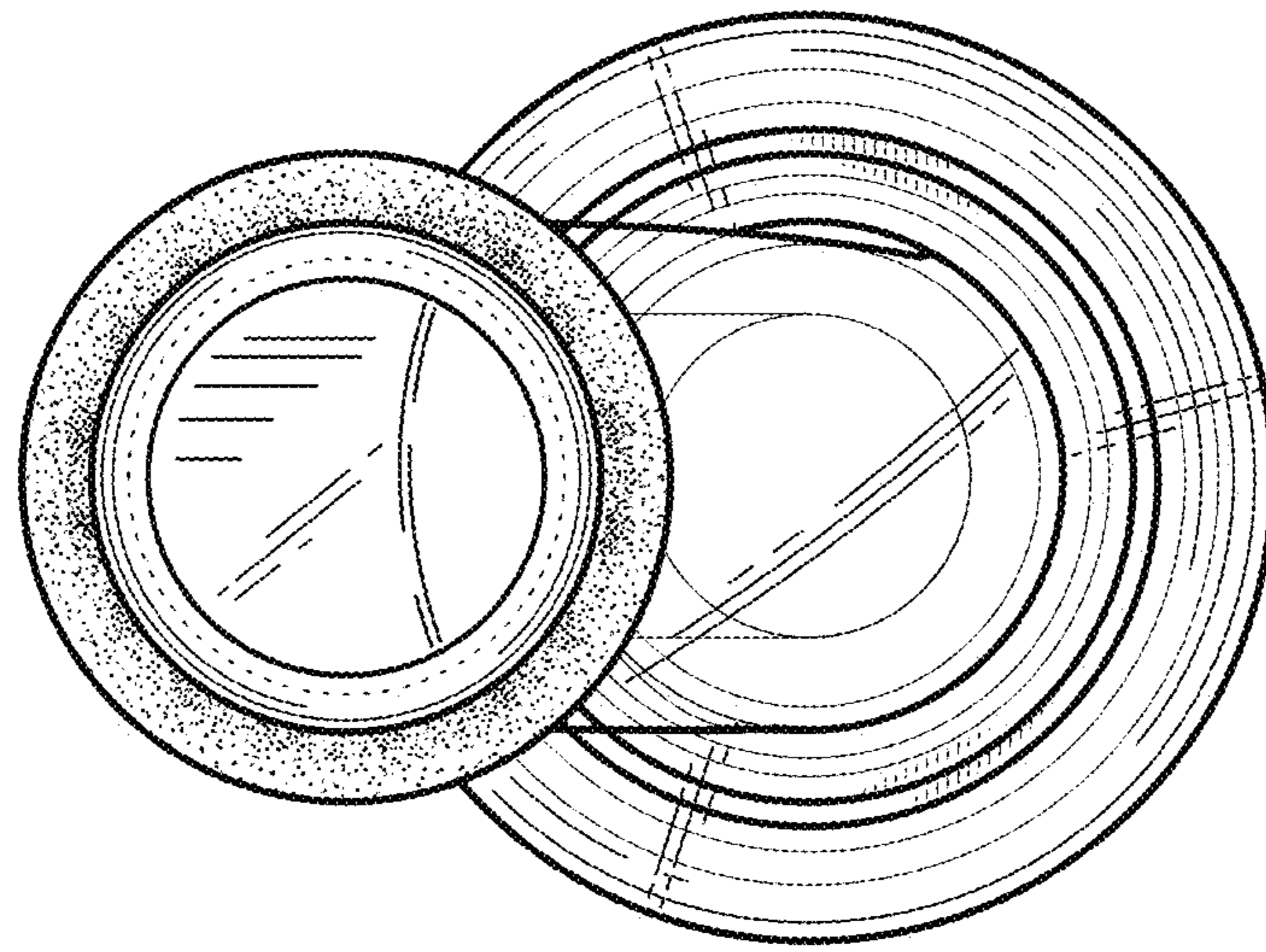


FIG. 6

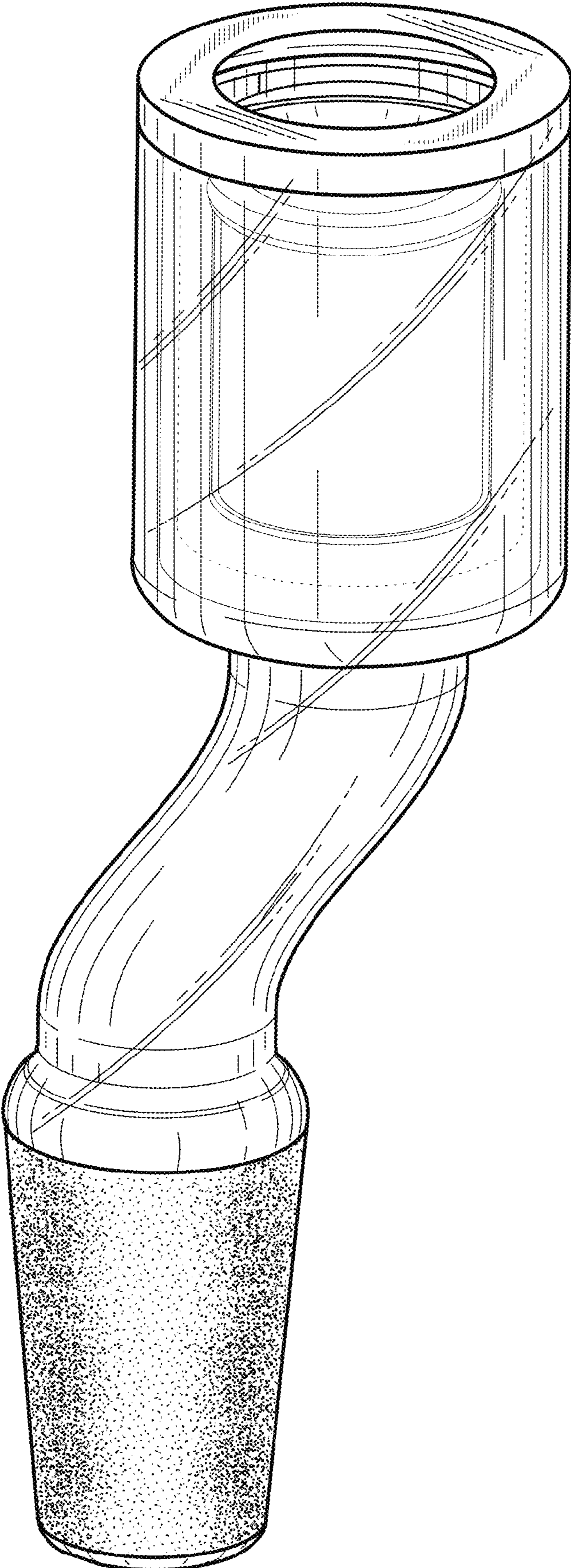


FIG. 7