



US00D986480S

(12) **United States Design Patent**
Lan et al.

(10) **Patent No.:** **US D986,480 S**
(45) **Date of Patent:** **** May 16, 2023**

(54) **LUMINAIRE WITH DIMMER PART**

FOREIGN PATENT DOCUMENTS

(71) Applicant: **SHENZHEN GUANKE TECHNOLOGIES CO., LTD,**
Shenzhen (CN)

CN 304608427 * 5/2018
CN 306640140 * 6/2021

(72) Inventors: **Qing Lan**, Shenzhen (CN); **Shoubao Chen**, Shenzhen (CN); **Ligen Liu**, Shenzhen (CN); **Tianlong Dai**, Shenzhen (CN)

OTHER PUBLICATIONS

“Schenzhen” reference by Shenzhen Guanke Technologies Co., Ltd on Facebook.com, announced on Facebook.com Jul. 10, 2021 [online], site visited Jan. 18, 2023, internet URL: <https://www.facebook.com/guankeled/photos/2526992927446456> (Year: 2021).*

(73) Assignee: **SHENZHEN GUANKE TECHNOLOGIES CO., LTD,**
Shenzhen (CN)

(Continued)

(**) Term: **15 Years**

Primary Examiner — Richard Kearney

Assistant Examiner — Liv C Anderson

(21) Appl. No.: **29/762,096**

(74) *Attorney, Agent, or Firm* — Maier & Maier, PLLC

(22) Filed: **Dec. 15, 2020**

(30) **Foreign Application Priority Data**

(57) **CLAIM**

Jun. 24, 2020 (CN) 202030333669.9

The ornamental design for a luminaire with dimmer part, as shown and described.

(51) **LOC (14) Cl.** **26-04**

(52) **U.S. Cl.**
USPC **D26/113**

(58) **Field of Classification Search**
USPC D26/2, 9, 22, 24, 25, 37, 60, 62, 72, 93,
D26/106, 110, 113, 138, 41; D13/158,
D13/171
CPC F21L 4/00; F21K 9/00; F21S 4/00; F21S
6/00; F21S 8/00; F21S 8/003; F21S 8/03;
F21S 8/038; F21V 33/004; F21V 35/00;
F21Y 2107/70

DESCRIPTION

See application file for complete search history.

FIG. 1 is a front perspective view of a luminaire with dimmer part, showing our design;
FIG. 2 is an enlarged view of circle A in FIG. 1;
FIG. 3 is a rear view of the luminaire with dimmer part;
FIG. 4 is a right side view thereof;
FIG. 5 is a left side view thereof;
FIG. 6 is a bottom view thereof;
FIG. 7 is a top view thereof;
FIG. 8 is a front perspective view thereof; and,
FIG. 9 is an enlarged view of circle B in FIG. 8.
The dash-dash-dash broken lines represent portions of the luminaire with dimmer part and form no part of the claimed design. The dash-dot-dash broken lines show areas of enlargement and form no part of the claimed design.

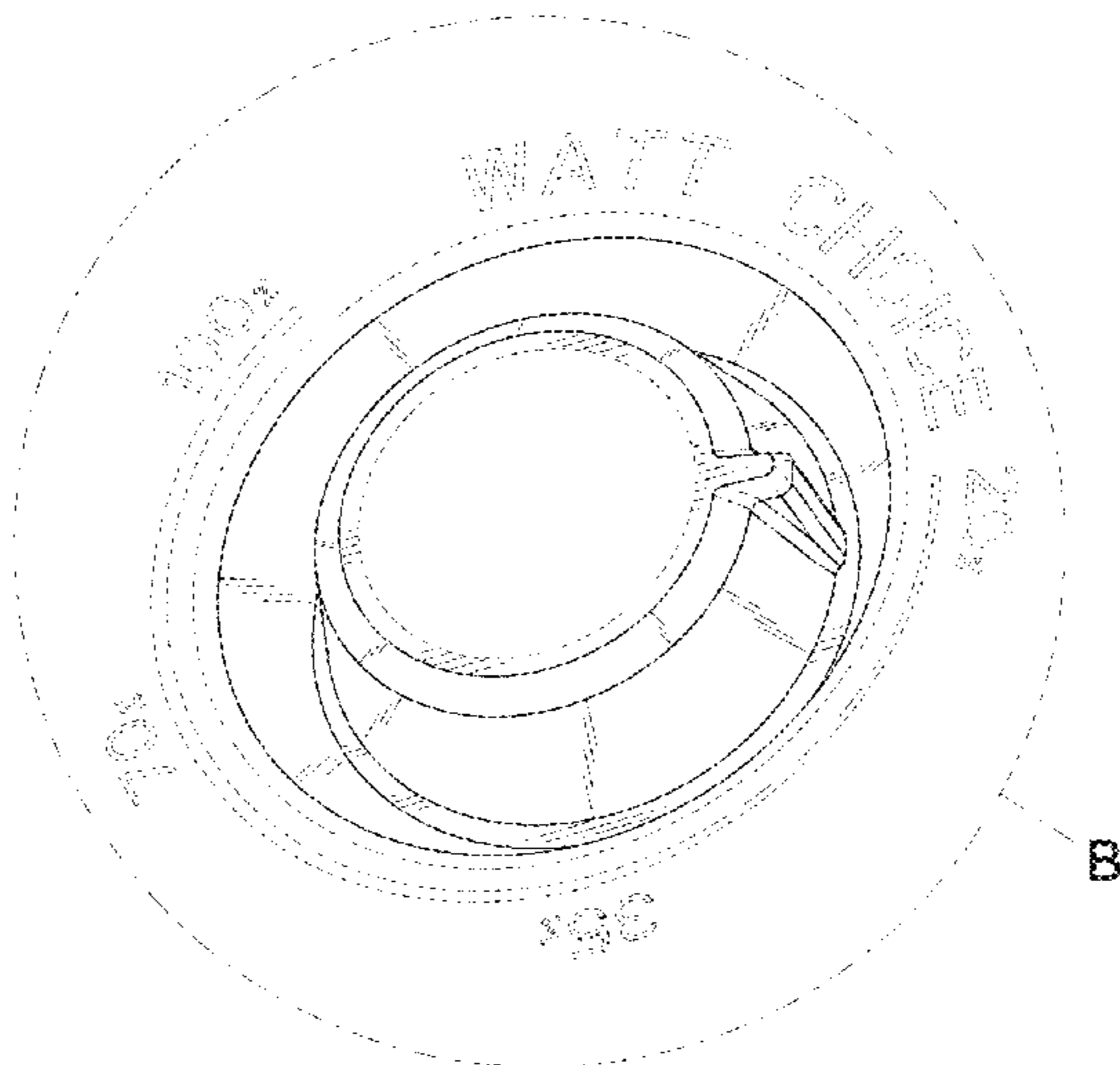
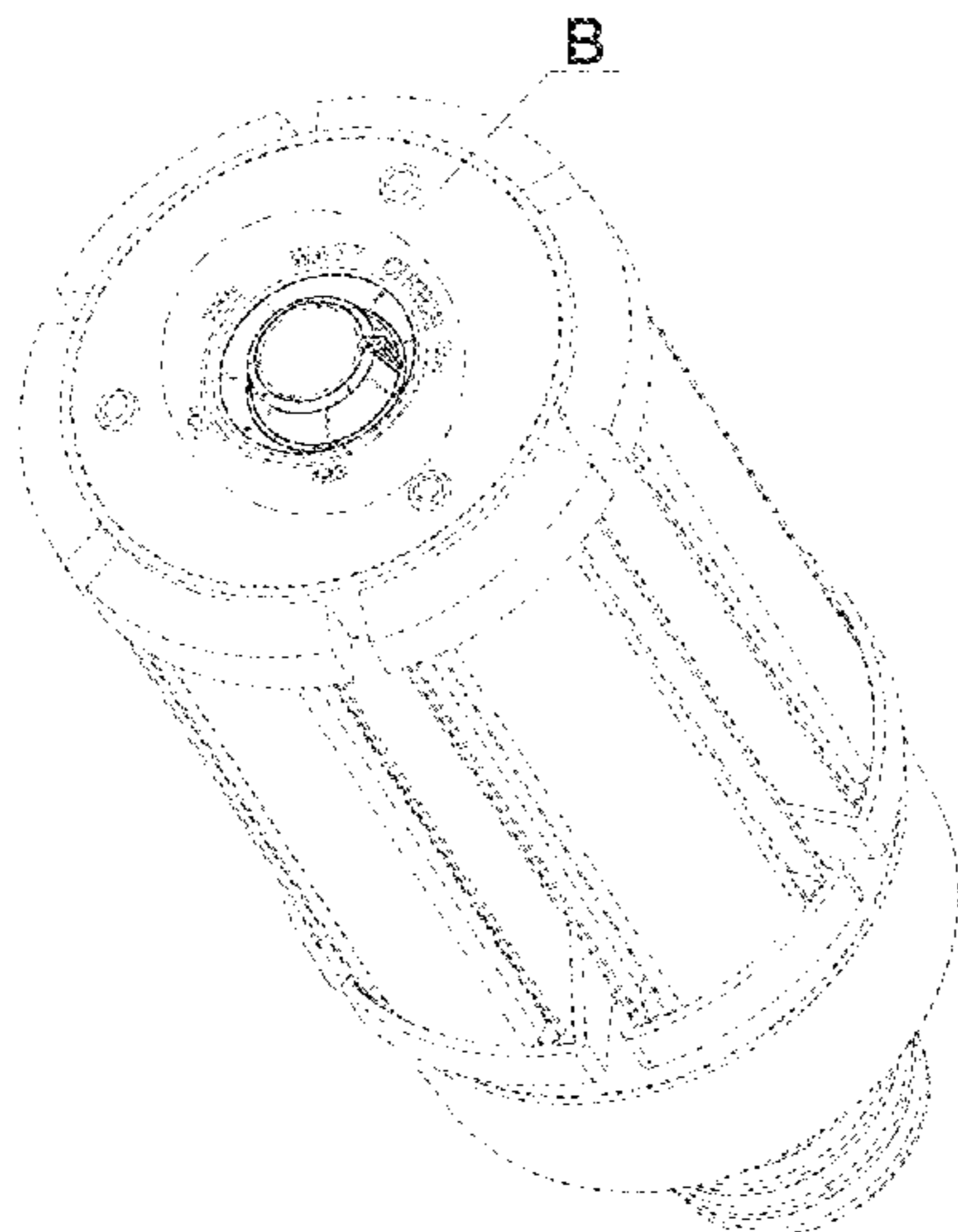
(56) **References Cited**

U.S. PATENT DOCUMENTS

3,997,820 A * 12/1976 Stefani H02G 3/16
315/DIG. 4
4,293,894 A * 10/1981 Blank E05B 17/10
362/186

(Continued)

1 Claim, 7 Drawing Sheets



(56)

References Cited

U.S. PATENT DOCUMENTS

5,057,975 A * 10/1991 Evigan E05B 17/10
 362/100
 D381,313 S * 7/1997 Krajci D13/125
 D561,117 S * 2/2008 Ni D13/171
 D561,118 S * 2/2008 Ni D13/171
 D795,471 S * 8/2017 Gan D26/2
 D810,325 S * 2/2018 Guo D26/2
 D827,878 S * 9/2018 Lan D26/2
 D838,870 S * 1/2019 Chen D26/2
 D850,667 S * 6/2019 Pan D26/2
 D851,292 S * 6/2019 Pan D26/2
 D872,322 S * 1/2020 Xu D26/2
 D888,292 S * 6/2020 Yu D26/2
 D931,502 S * 9/2021 Xu D26/2
 D935,076 S * 11/2021 Van Doorselaer F21L 4/00
 D26/40
 11,304,273 B2 * 4/2022 Lan H05B 45/59
 D966,266 S * 10/2022 Chu D14/388
 2011/0235313 A1 * 9/2011 Canella F21V 21/08
 362/382
 2018/0038572 A1 * 2/2018 Lan F21K 9/68

OTHER PUBLICATIONS

“AGIPS” reference by GuangshuishiYingshanjiaxiudianzishangwuzhongxin on Amazon.com, date unavailable, site visited Jan. 18, 2023, available from internet URL: <https://www.amazon.com/AGIPS-Voltage-Lights-Waterproof-Household/dp/B0BRWM97H7> (Year: 2023).*
 “LUXRITE” reference by Bulbs“n”More on Amazon.com, date first available May 31, 2022 [online], site visited Jan. 18, 2023, available from internet URL: <https://www.amazon.com/Equivalent-Selectable-3000K-5000K-Enclosed-100-277V/dp/B0B2TR6Q8Q> (Year: 2022).*
 “GE” reference on Amazon.com, date first available Jun. 16, 2009 [online], site visited Jan. 18, 2023, available from internet URL: <https://www.amazon.com/GE-Rotating-Dimmable-Incandescent-18020/dp/B002DNG3EE?th=1> (Year: 2009).*
 “ELEGRP” reference by Ele Group on Amazon.com, date first available Mar. 10, 2022 [online], site visited Jan. 18, 2023, available from internet URL: <https://www.amazon.com/dp/B09V7VYHKF/> (Year: 2022).*

* cited by examiner

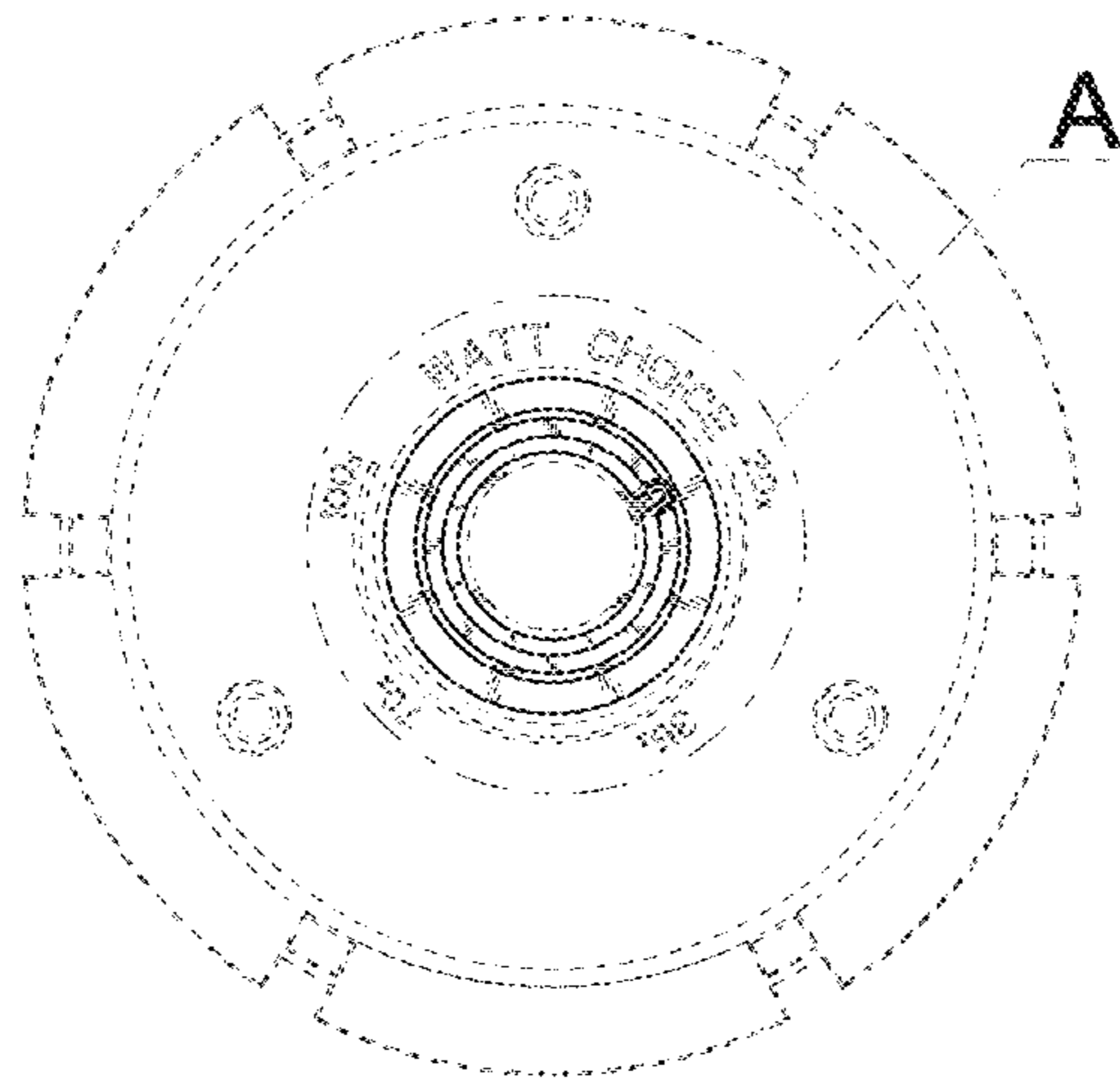


FIG. 1

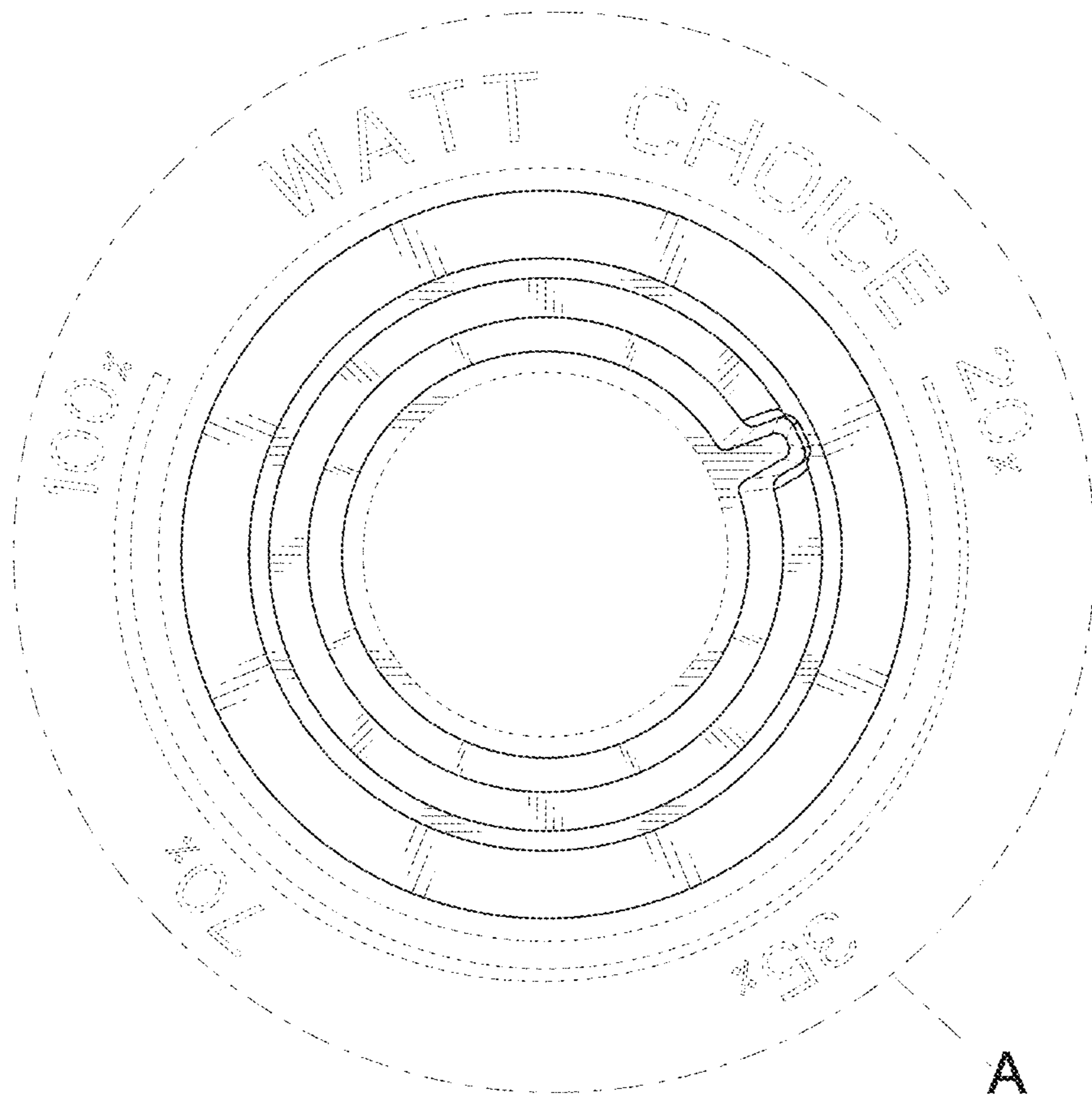


FIG. 2

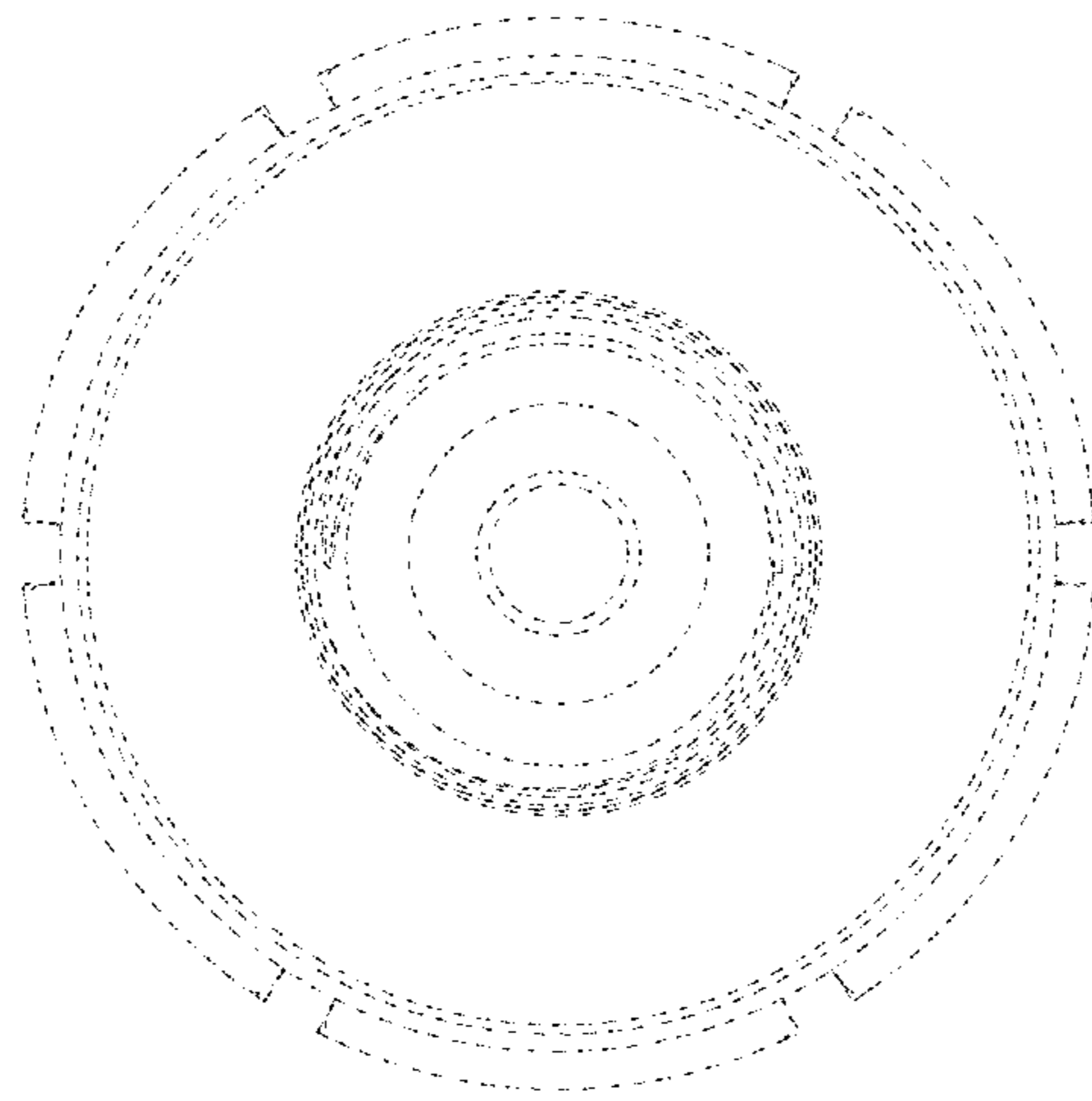


FIG. 3

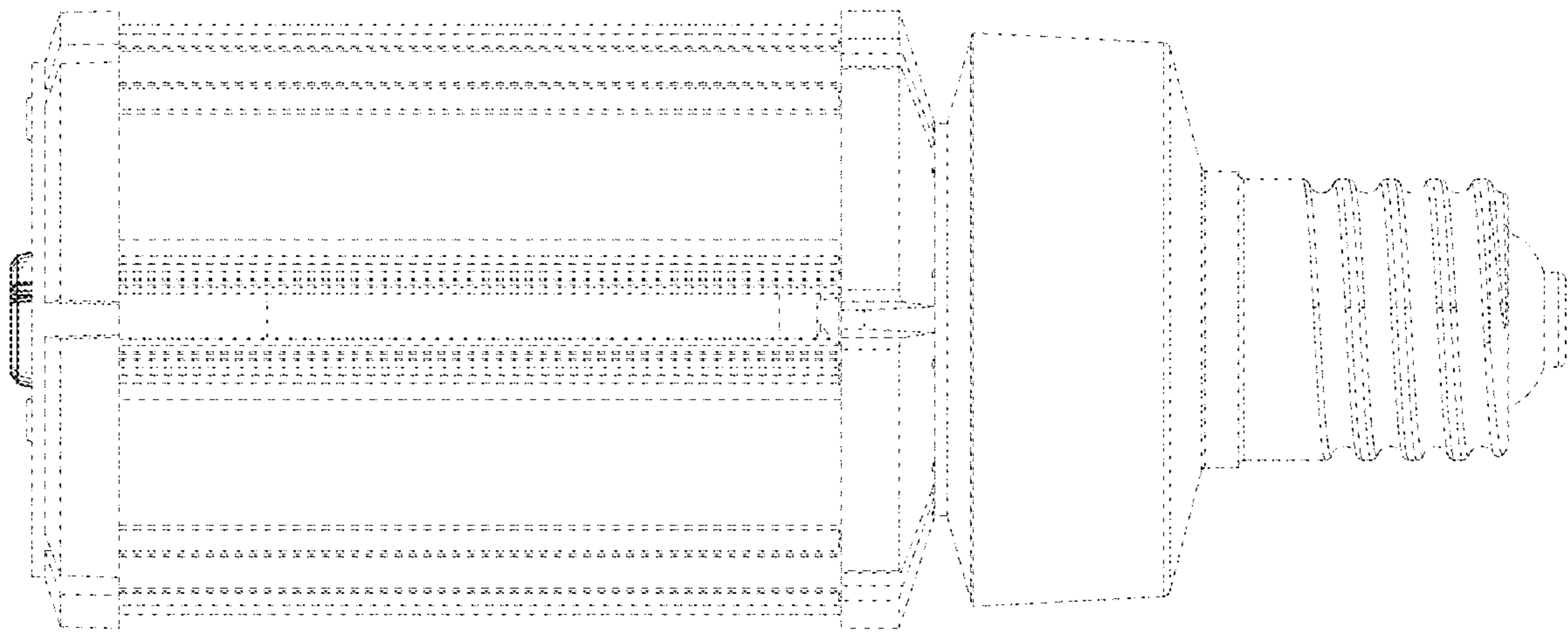


FIG. 4

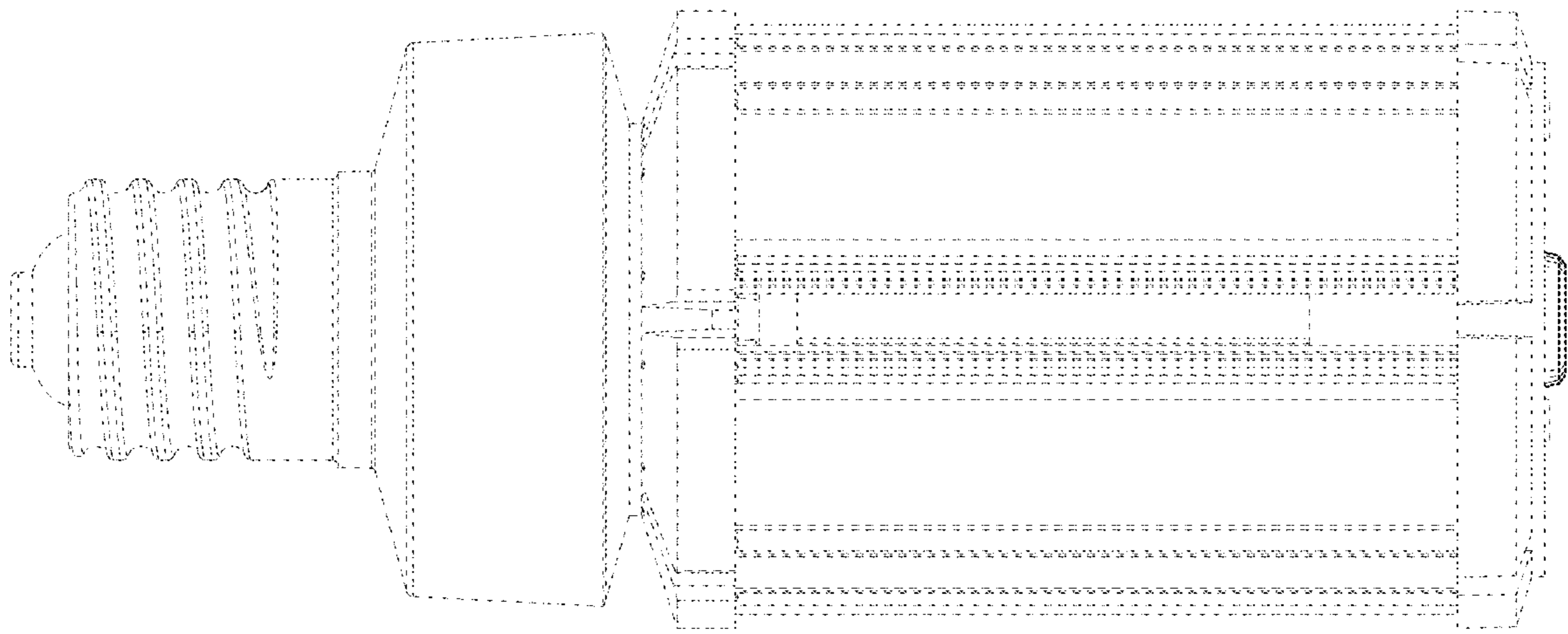


FIG. 5

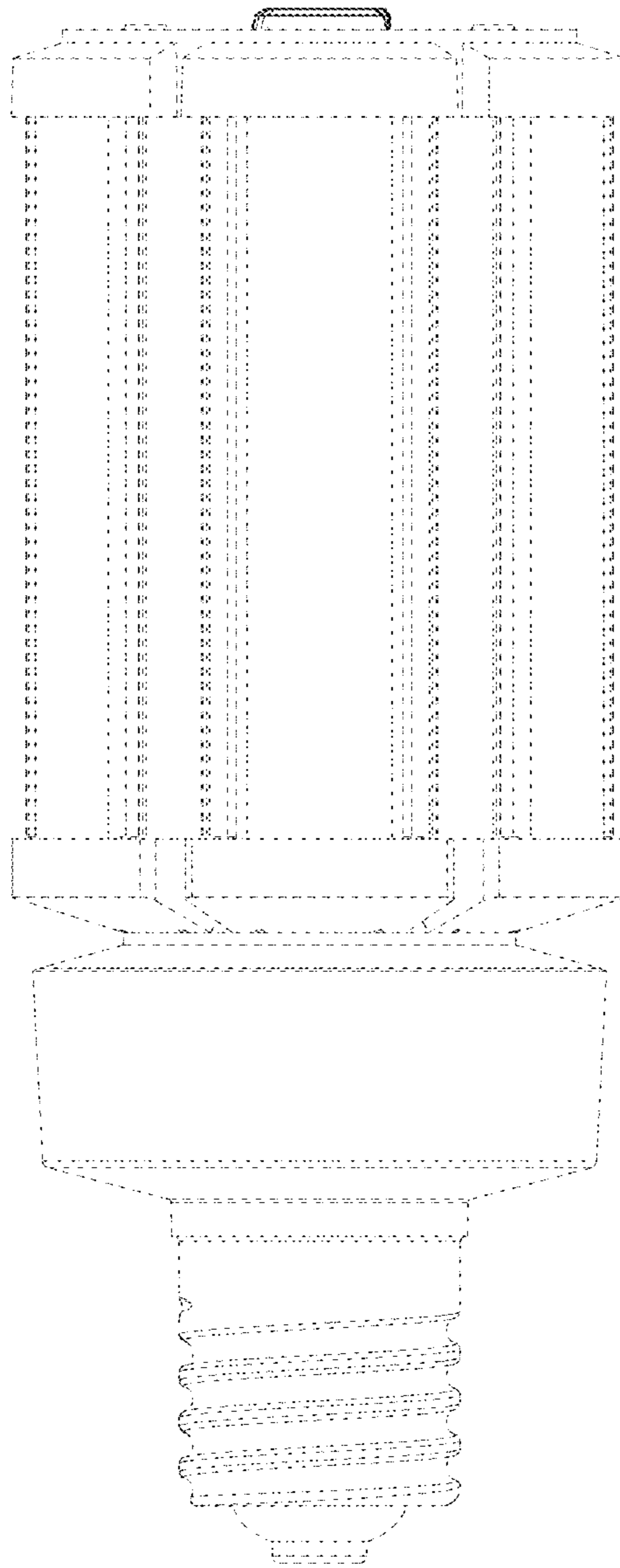


FIG. 6

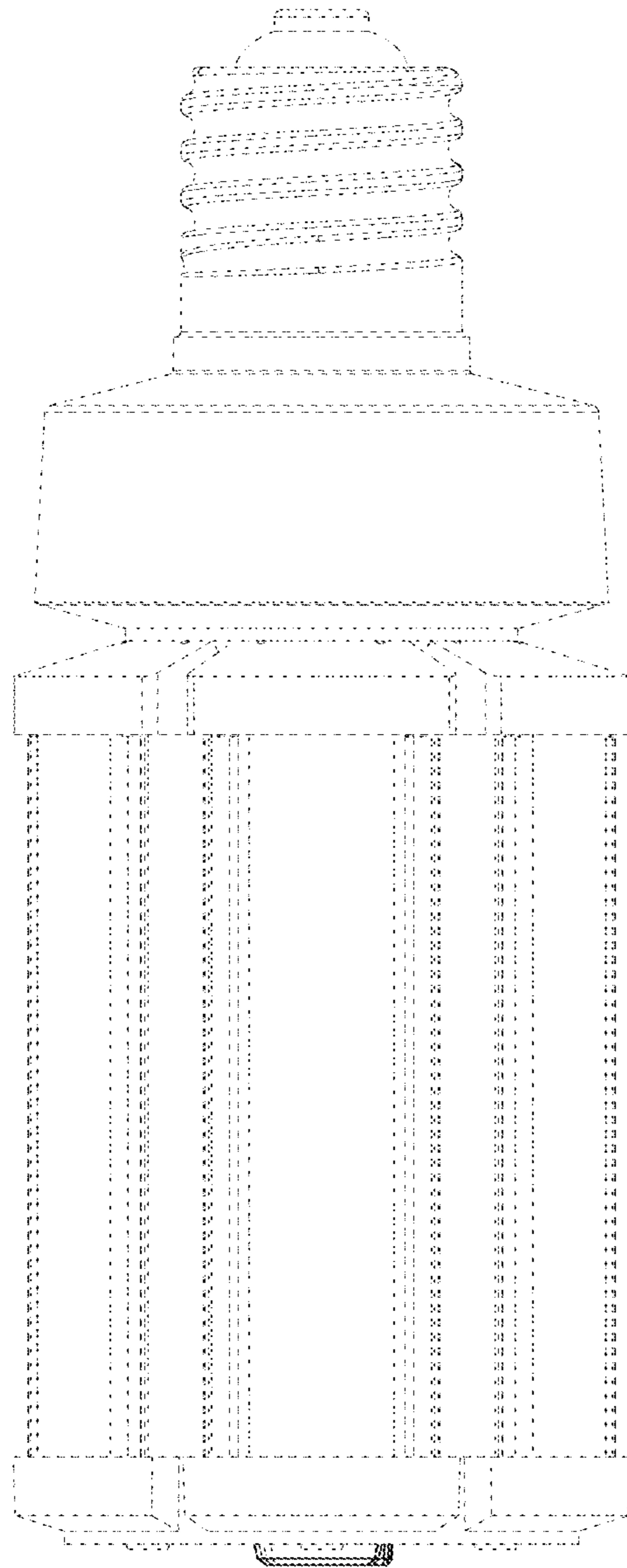


FIG. 7

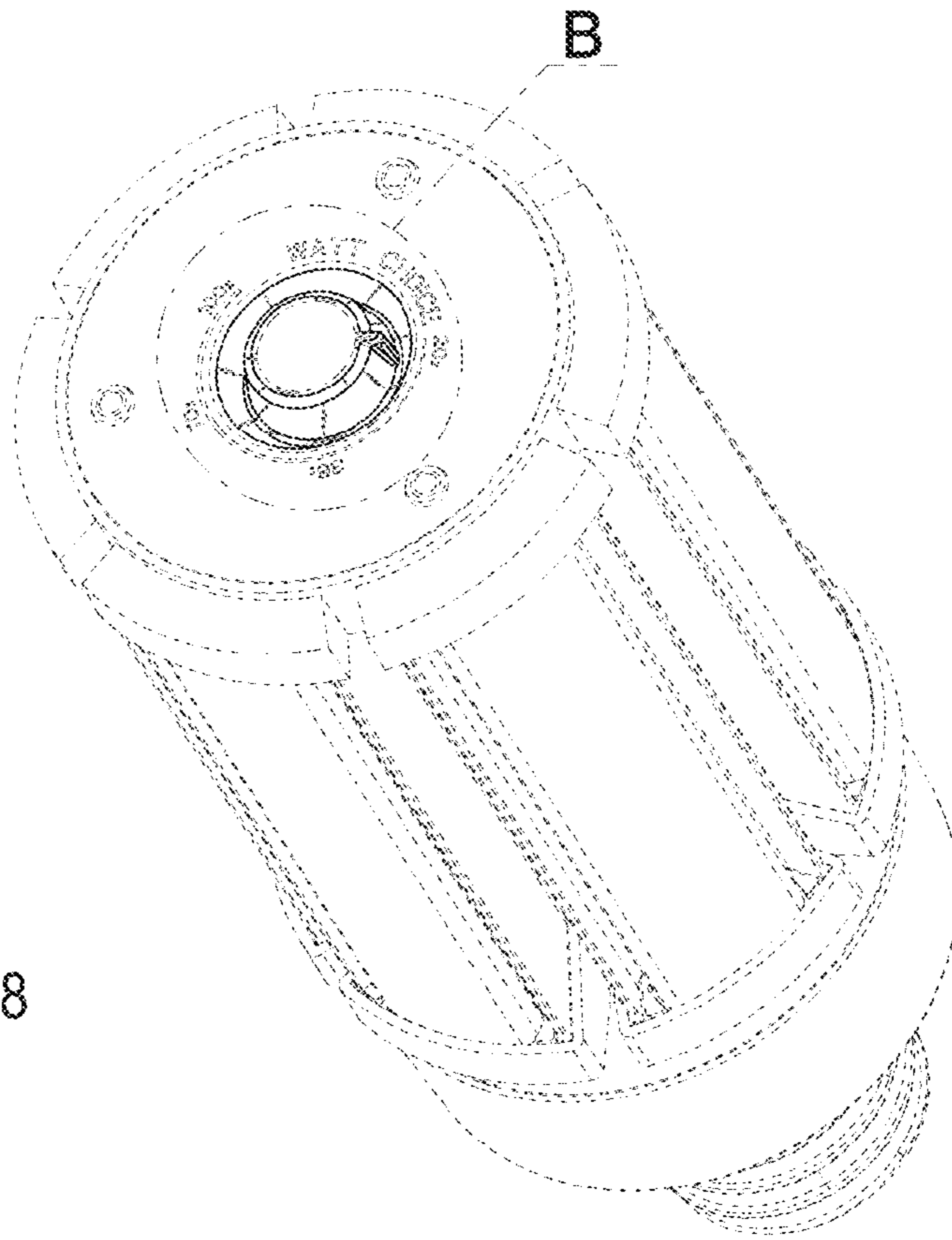


FIG. 8

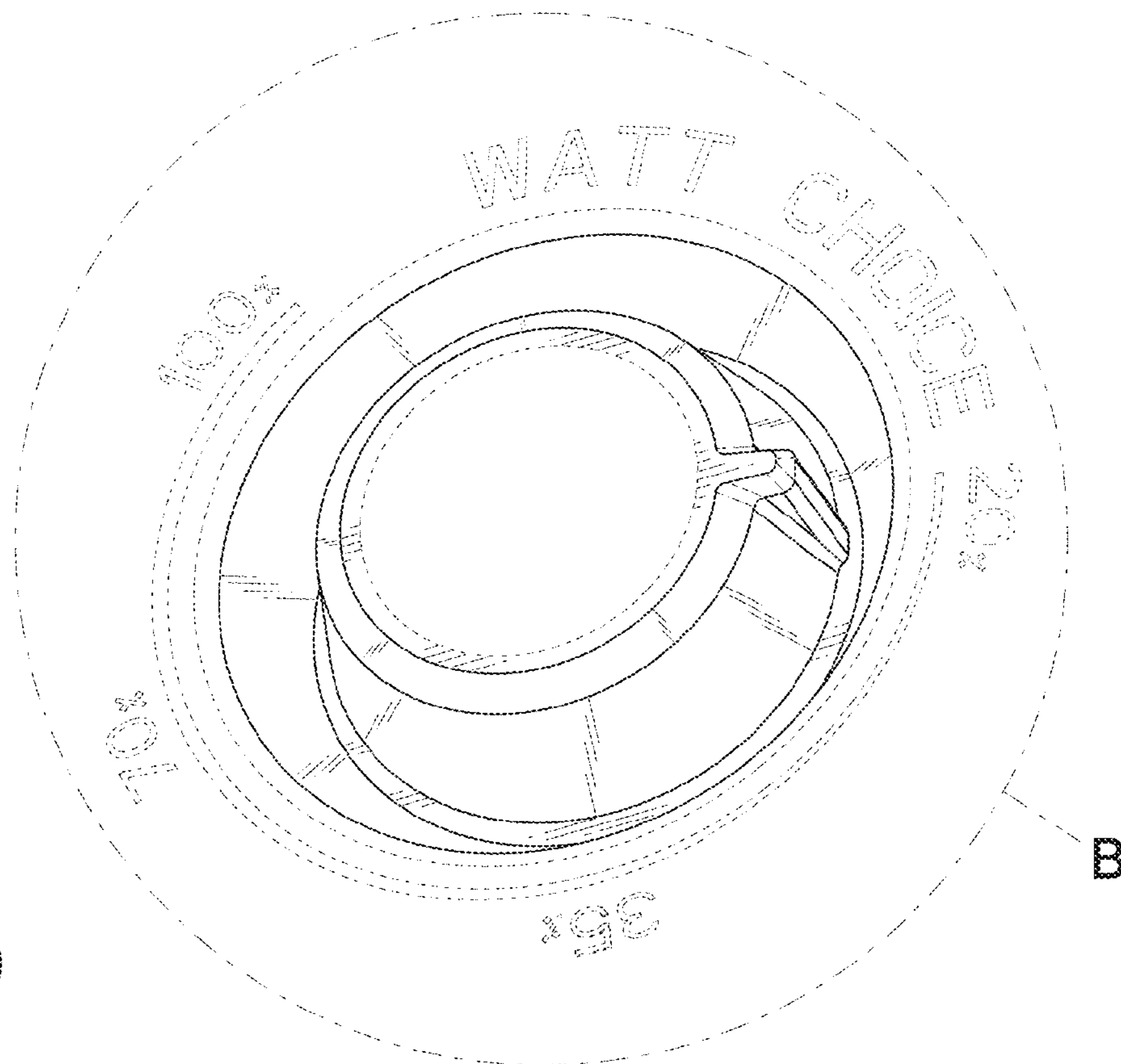


FIG. 9