



US00D986479S

(12) **United States Design Patent**
Klus

(10) **Patent No.:** **US D986,479 S**

(45) **Date of Patent:** **** *May 16, 2023**

(54) **EXTRUSION FOR LED BASED LIGHTING APPARATUS**

(71) Applicant: **KLUS, LLC**, Vero Beach, FL (US)

(72) Inventor: **Sylwester Klus**, Kamionka (PL)

(73) Assignee: **KLUS, LLC**, Vero Beach, FL (US)

(*) Notice: This patent is subject to a terminal disclaimer.

(**) Term: **15 Years**

(21) Appl. No.: **29/760,835**

(22) Filed: **Dec. 4, 2020**

(51) **LOC (14) Cl.** **26-05**

(52) **U.S. Cl.**
USPC **D26/138**

(58) **Field of Classification Search**
USPC D26/72, 113, 118, 119, 120, 121, 122,
D26/138, 139, 140, 141, 142, 145, 152,
D26/154, 155, 76, 78
CPC F21S 8/00; F21S 8/031; F21S 8/033; F21S
8/038; F21K 9/20; F21K 9/237; F21V
15/013; F21V 17/04; F21V 21/00; F21V
21/02

See application file for complete search history.

(56) **References Cited**

U.S. PATENT DOCUMENTS

1,265,990	A	*	5/1918	Benner	F01N 3/281
						D25/123
D222,830	S	*	1/1972	Dover	D25/60
D247,636	S	*	3/1978	Win	D26/152
D247,637	S	*	3/1978	Win	D26/152
D263,882	S	*	4/1982	Dallaire	D25/122
D272,711	S	*	2/1984	Griset	D15/140
D343,909	S	*	2/1994	Flynn	D25/123
D648,448	S	*	11/2011	Apgood, II	D25/138
D649,263	S	*	11/2011	Brabeck	D25/119
D674,220	S	*	1/2013	Kim	D6/702

D693,051	S	*	11/2013	Klus	D26/138
D695,953	S	*	12/2013	Klus	D26/138
D715,994	S	*	10/2014	Klus	D26/141
D724,256	S	*	3/2015	Klus	D26/141
D782,105	S	*	3/2017	Klus	D26/138
D799,720	S	*	10/2017	Tress	D25/119
D808,578	S	*	1/2018	Klus	D26/138

(Continued)

FOREIGN PATENT DOCUMENTS

CN 305991376 * 8/2020

OTHER PUBLICATIONS

“Muzata” reference by Muzata on Amazon.com, date first available Sep. 8, 2020 [online], site visited Jun. 29, 2022, available from internet URL: <https://www.amazon.com/Muzata-Channel-Diffuser-Protected-Fadeless/dp/B08HN36YBM> (Year: 2020).*

(Continued)

Primary Examiner — Marissa J Cash

Assistant Examiner — Liv C Anderson

(74) *Attorney, Agent, or Firm* — Mark Terry

(57) **CLAIM**

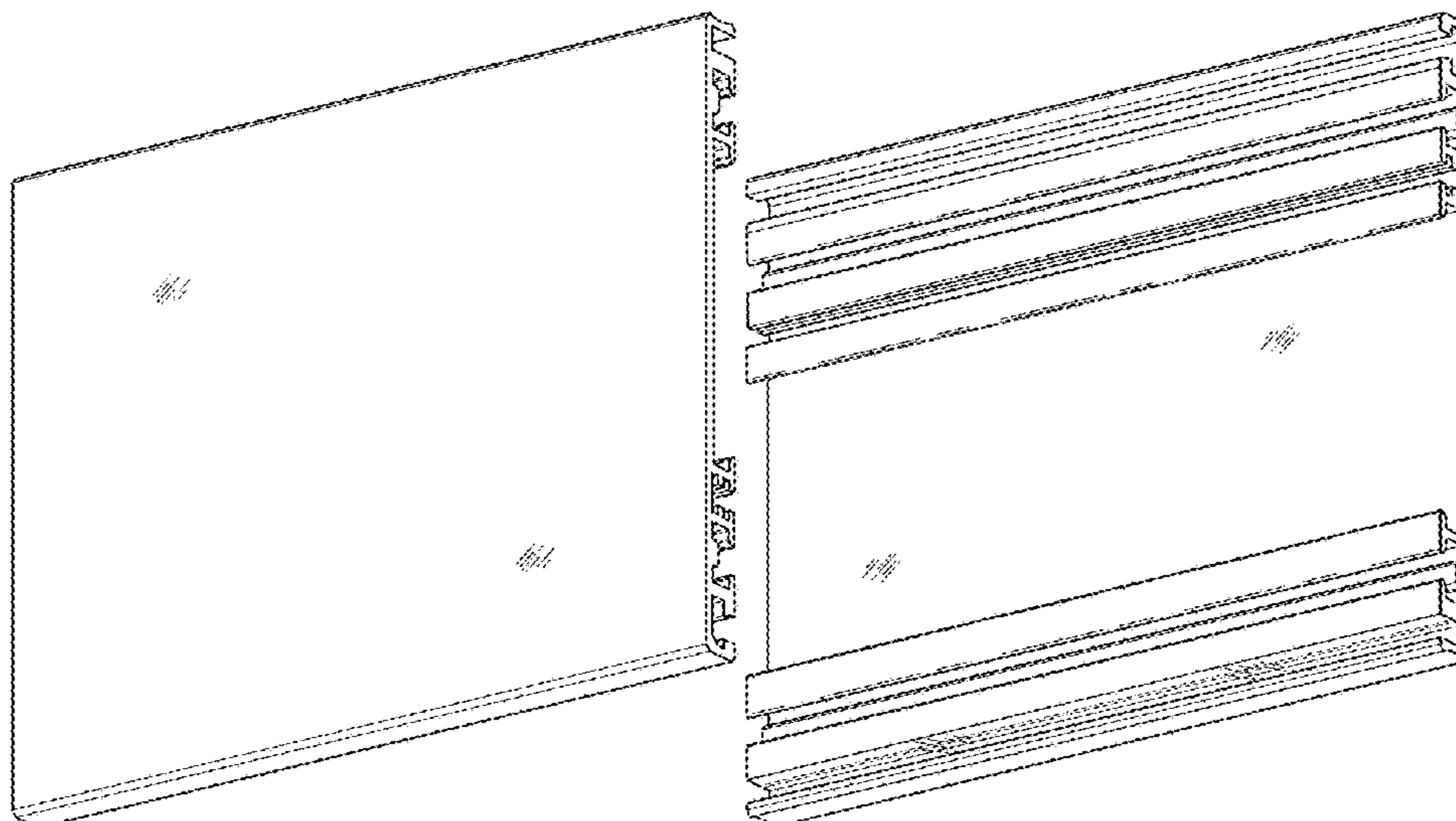
The ornamental design for an extrusion for LED based lighting apparatus, as shown and described.

DESCRIPTION

FIG. 1 is a top perspective view of the extrusion for LED based lighting apparatus, showing the new design; FIG. 2 is a bottom perspective view thereof; FIG. 3 is a front view thereof; FIG. 4 is a side view thereof; FIG. 5 is rear view thereof; and, FIG. 6 is a bottom view thereof.

The broken lines in the drawings depict portions of the extrusion for LED based lighting apparatus that form no part of the claimed design.

1 Claim, 3 Drawing Sheets



(56)

References Cited

U.S. PATENT DOCUMENTS

D808,579	S	*	1/2018	Klus	D26/138
D824,584	S	*	7/2018	Klus	D26/138
D832,216	S	*	10/2018	Tyrrell	D13/139.2
D919,877	S	*	5/2021	Klus	D26/138
D923,203	S	*	6/2021	Muther	D25/119
D946,200	S	*	3/2022	Gorman	D26/141
D951,530	S	*	5/2022	Klus	D26/138
D955,035	S	*	6/2022	King	D26/140
D963,237	S	*	9/2022	Wong	D8/354
2017/0191640	A1	*	7/2017	Ji	F21V 15/015

OTHER PUBLICATIONS

“StarlandLed” reference by Olicto on Amazon.com, date first available Nov. 11, 2018 [online], site visited Jun. 29, 2020, available from internet URL: <https://www.amazon.com/StarlandLed-Aluminum-Mounting-Installations-Installation/dp/B07KDSYLGG> (Year: 2018).*

* cited by examiner

FIG. 1

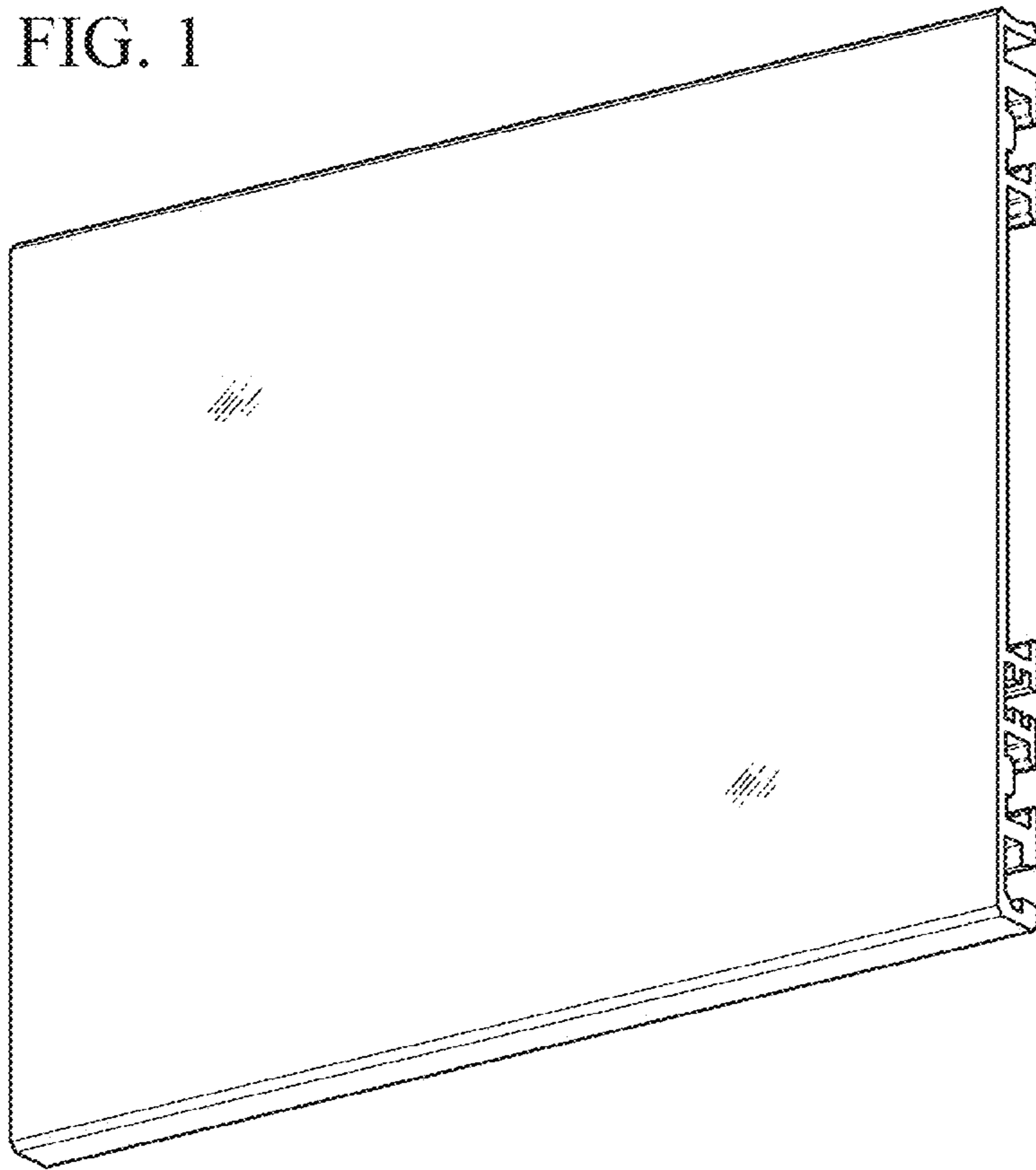


FIG. 2

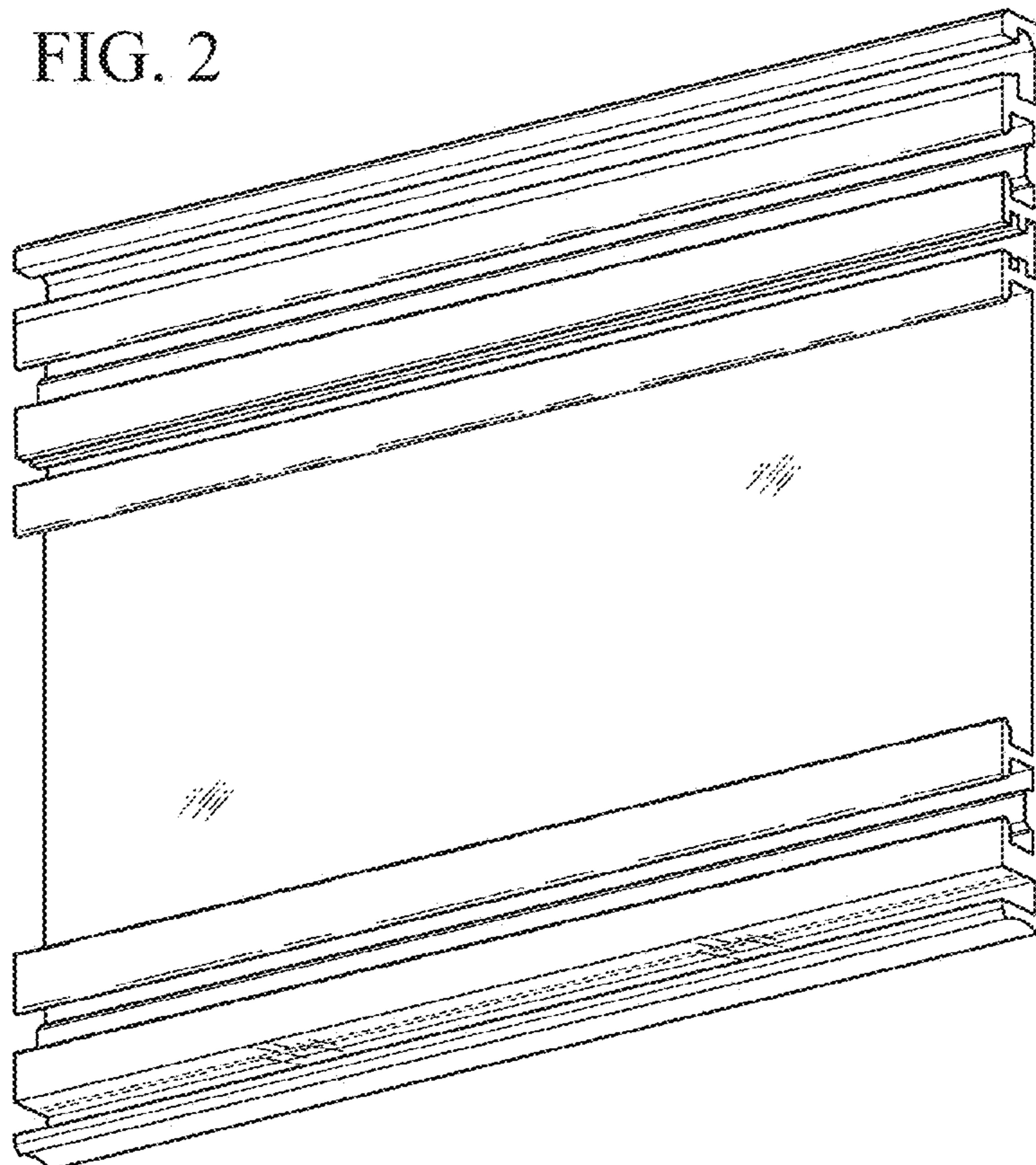


FIG. 3



FIG. 4



FIG. 5

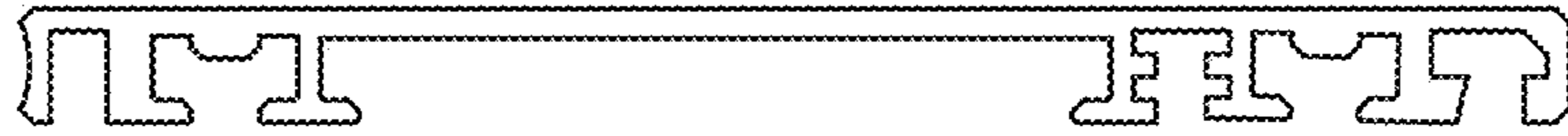


FIG. 6

