



US00D986478S

(12) **United States Design Patent**
Sun

(10) **Patent No.:** **US D986,478 S**

(45) **Date of Patent:** **** May 16, 2023**

(54) **LAMP HEAD**

(71) Applicant: **Jun Sun**, Anhui (CN)

(72) Inventor: **Jun Sun**, Anhui (CN)

(**) Term: **15 Years**

(21) Appl. No.: **29/862,589**

(22) Filed: **Dec. 9, 2022**

(30) **Foreign Application Priority Data**

Jul. 20, 2022 (CN) 202230465356.8

(51) **LOC (14) Cl.** **26-04**

(52) **U.S. Cl.**
USPC **D26/113; D26/2**

(58) **Field of Classification Search**
USPC D26/2, 3, 113, 138, 142; D13/134
CPC F21V 23/06; Y02B 20/00; F21Y 2115/10
See application file for complete search history.

(56) **References Cited**

U.S. PATENT DOCUMENTS

D500,871 S *	1/2005	Liao	D26/2
D566,310 S	4/2008	Alessio		
D570,036 S	5/2008	Conroy		
D576,762 S *	9/2008	Conroy	D26/138
D581,586 S *	11/2008	Conroy	D26/138
D633,870 S *	3/2011	Thommes	D26/113
D634,865 S *	3/2011	Chao	D26/2
D643,948 S *	8/2011	Wada	D26/2
D729,739 S *	5/2015	Paolo	D13/134
D808,068 S *	1/2018	Yeh	D26/142
D818,185 S *	5/2018	Wilson	D26/138

OTHER PUBLICATIONS

Etoplighting Porcelain Four Head Light Bulb Socket, available in Amazon.com, date first available Apr. 12, 2017 [online], [site visited Dec. 21, 2022], Available from the internet URL: <https://a.co/d/dJ7XE7X> (Year: 2017).*

* cited by examiner

Primary Examiner — Kathleen L Jones
Assistant Examiner — Jasmine L. Comedy
(74) *Attorney, Agent, or Firm* — ScienBiziP, P.C.

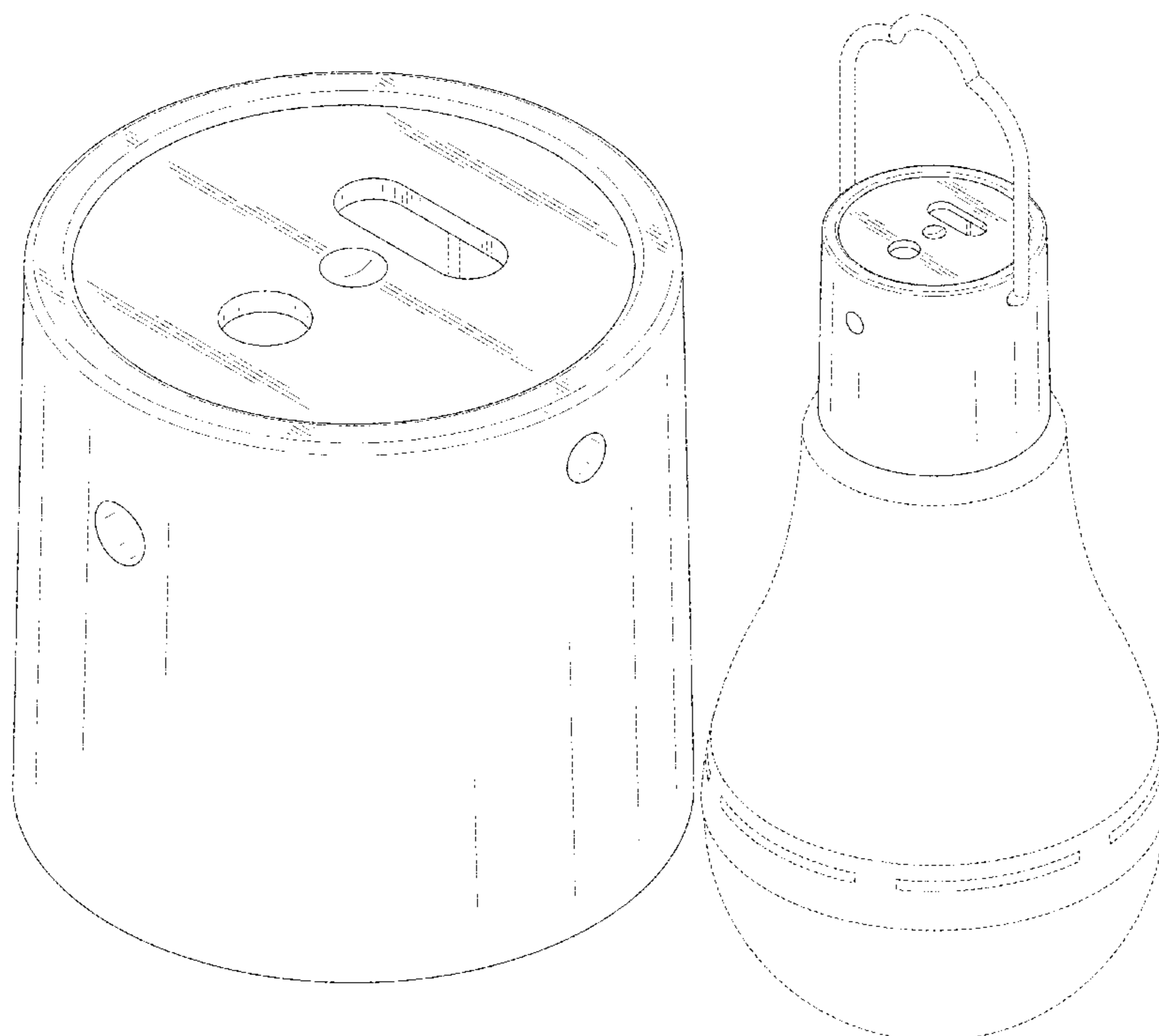
(57) **CLAIM**

The ornamental design for a lamp head, as shown and described.

DESCRIPTION

FIG. 1 is a front, right and top perspective view of a lamp head, showing my design.
FIG. 2 is a rear, left and bottom perspective view thereof.
FIG. 3 is a front elevation view thereof.
FIG. 4 is a rear elevation view thereof.
FIG. 5 is a left side elevation view thereof.
FIG. 6 is a right side elevation view thereof.
FIG. 7 is a top plan view thereof.
FIG. 8 is a bottom plan view thereof; and,
FIG. 9 is another front, right and top perspective view of the lamp head in a usable state.
The broken lines depicting portions of the lamp head form no part of the claimed design. The broken line bulb and hanger bar in FIG. 9 depict environmental structure that form no part of the claimed design.

1 Claim, 9 Drawing Sheets



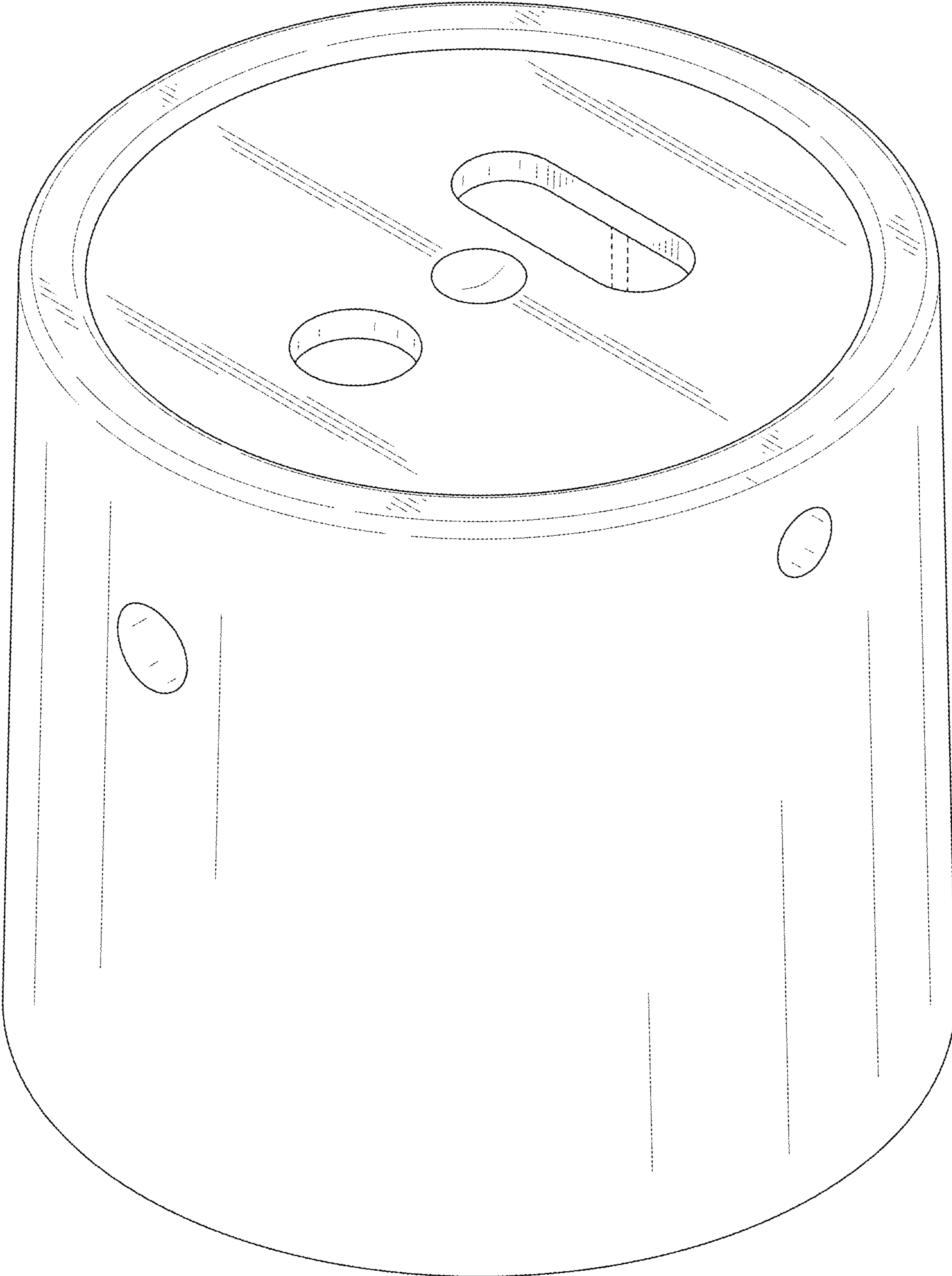


FIG. 1

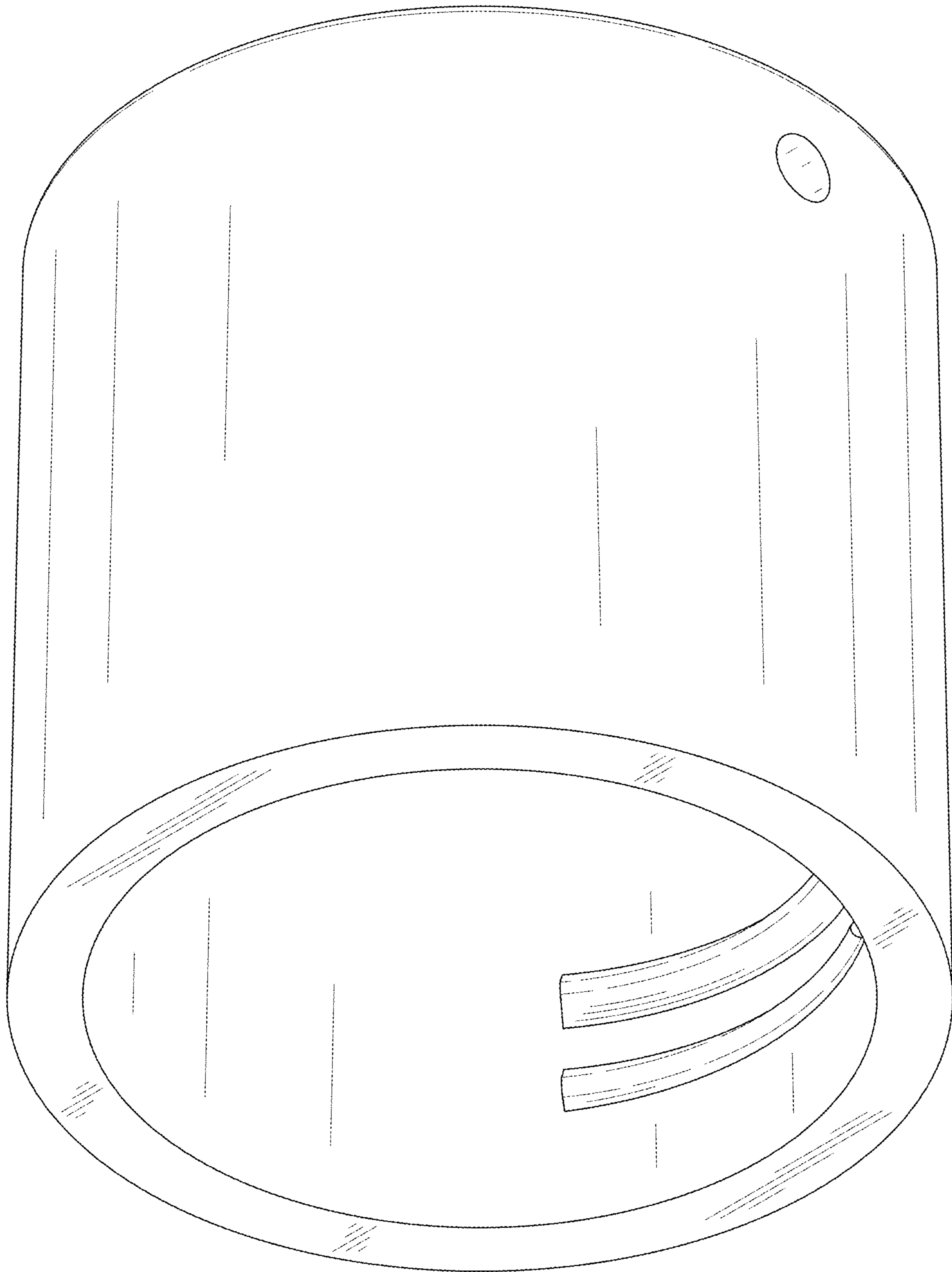


FIG. 2

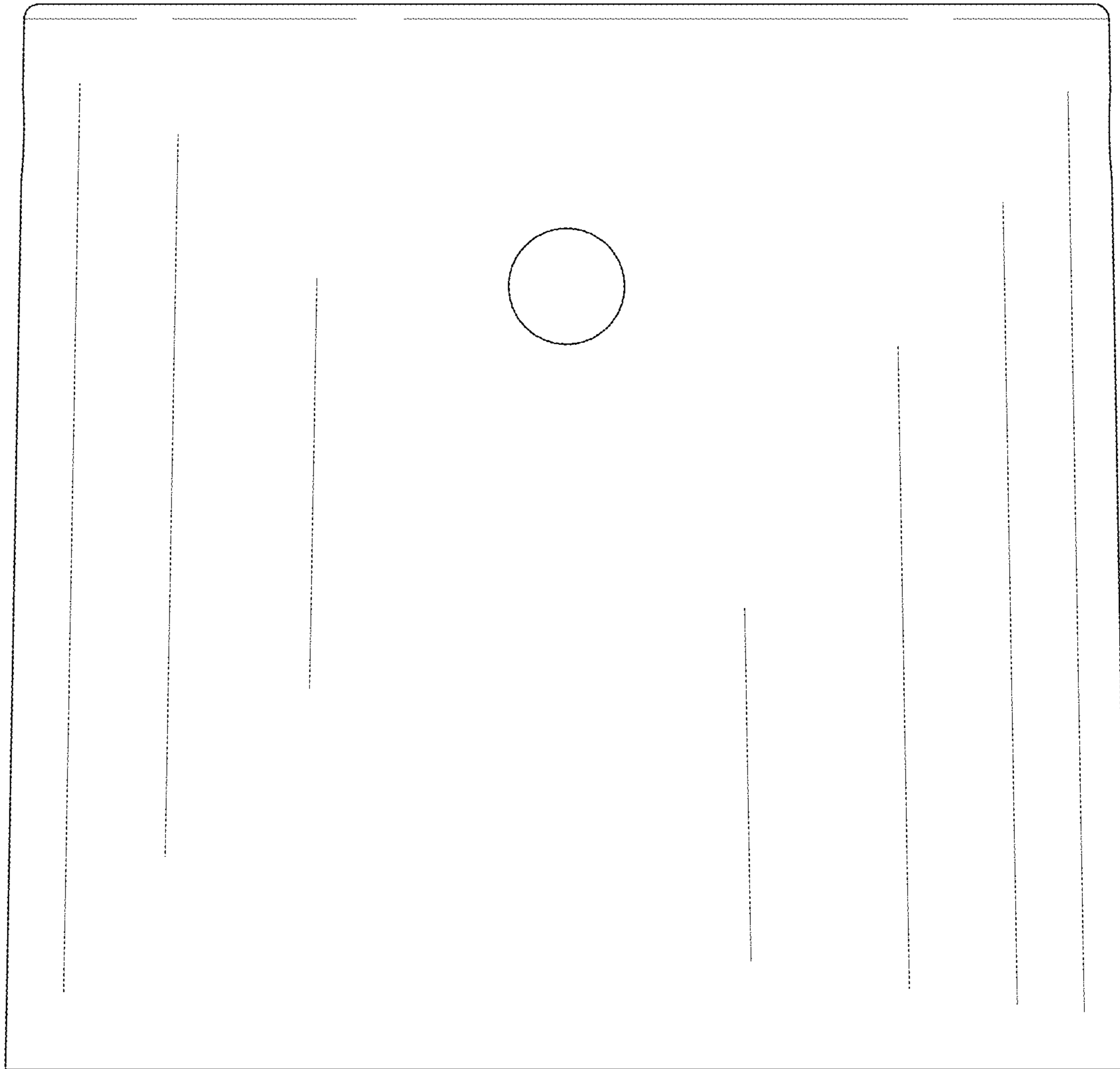


FIG. 3

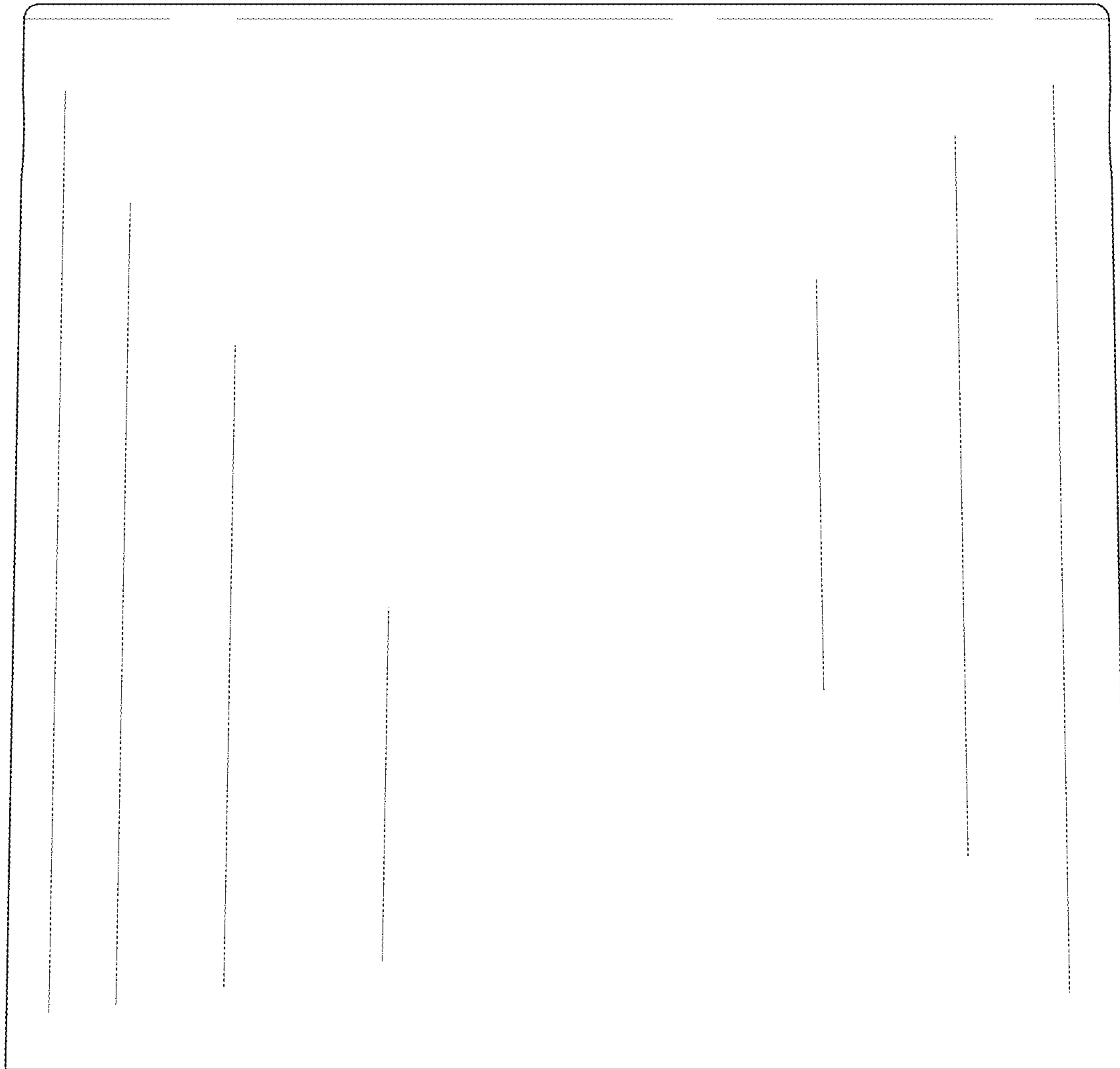


FIG. 4

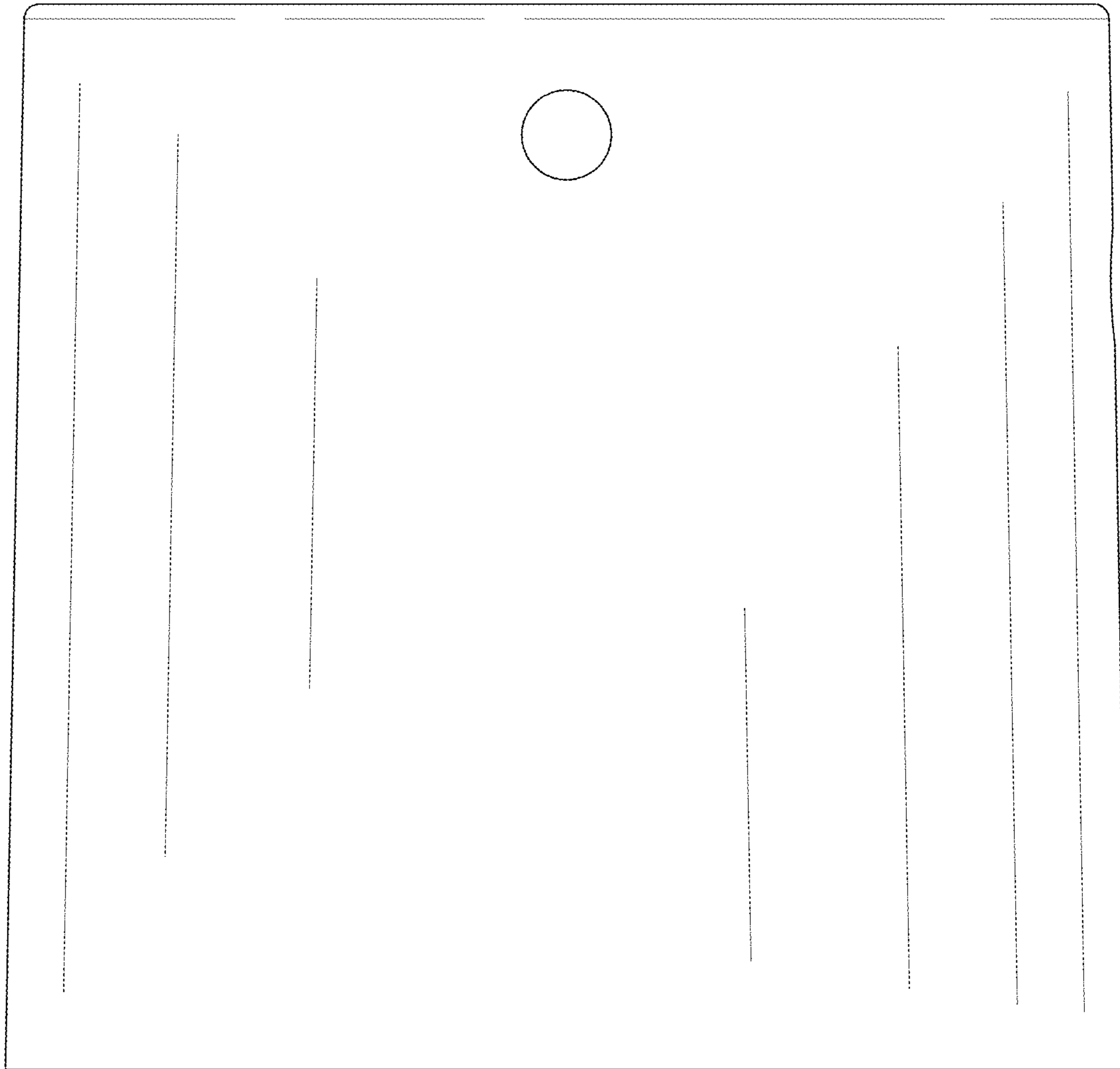


FIG. 5

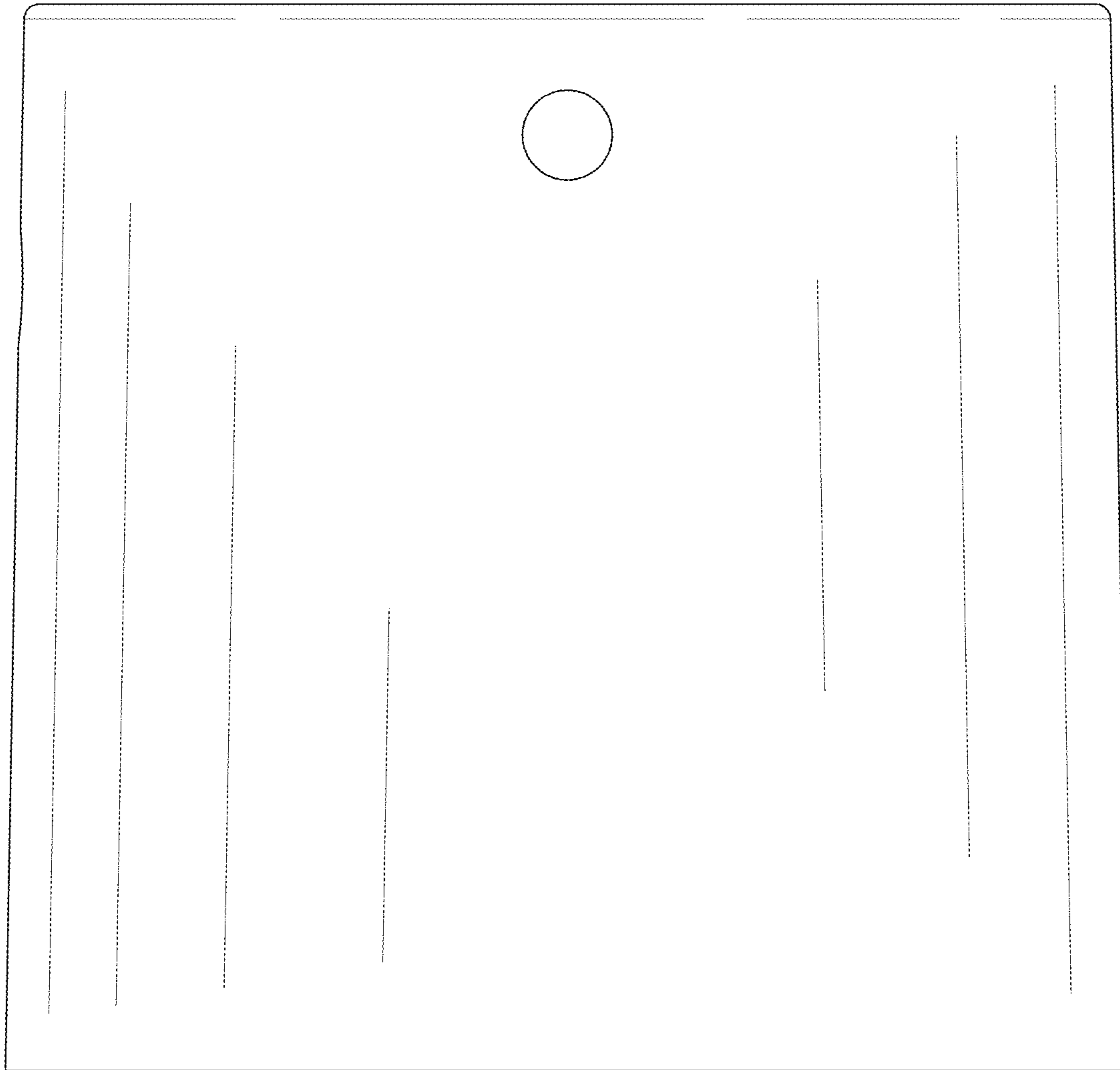


FIG. 6

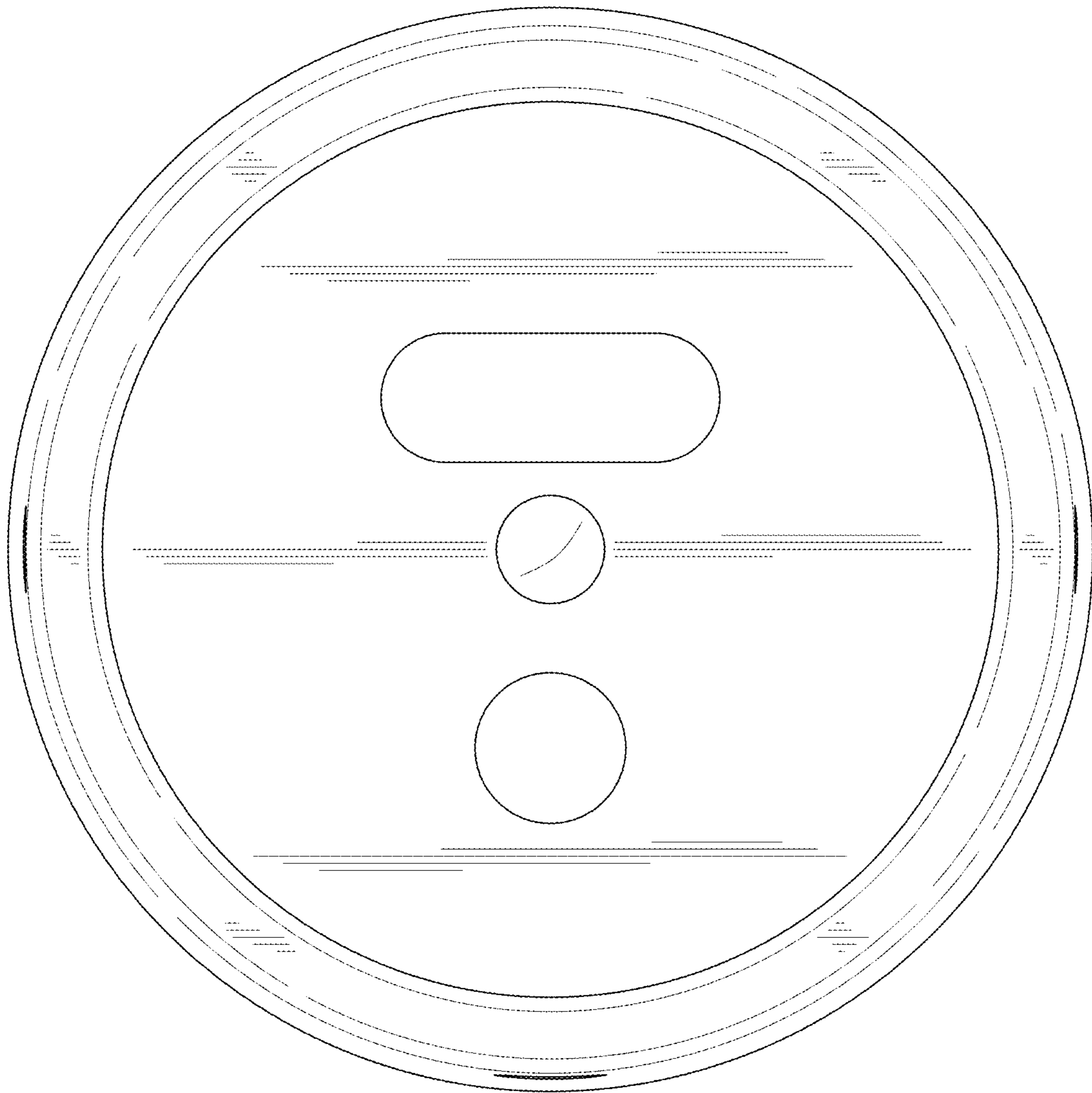


FIG. 7

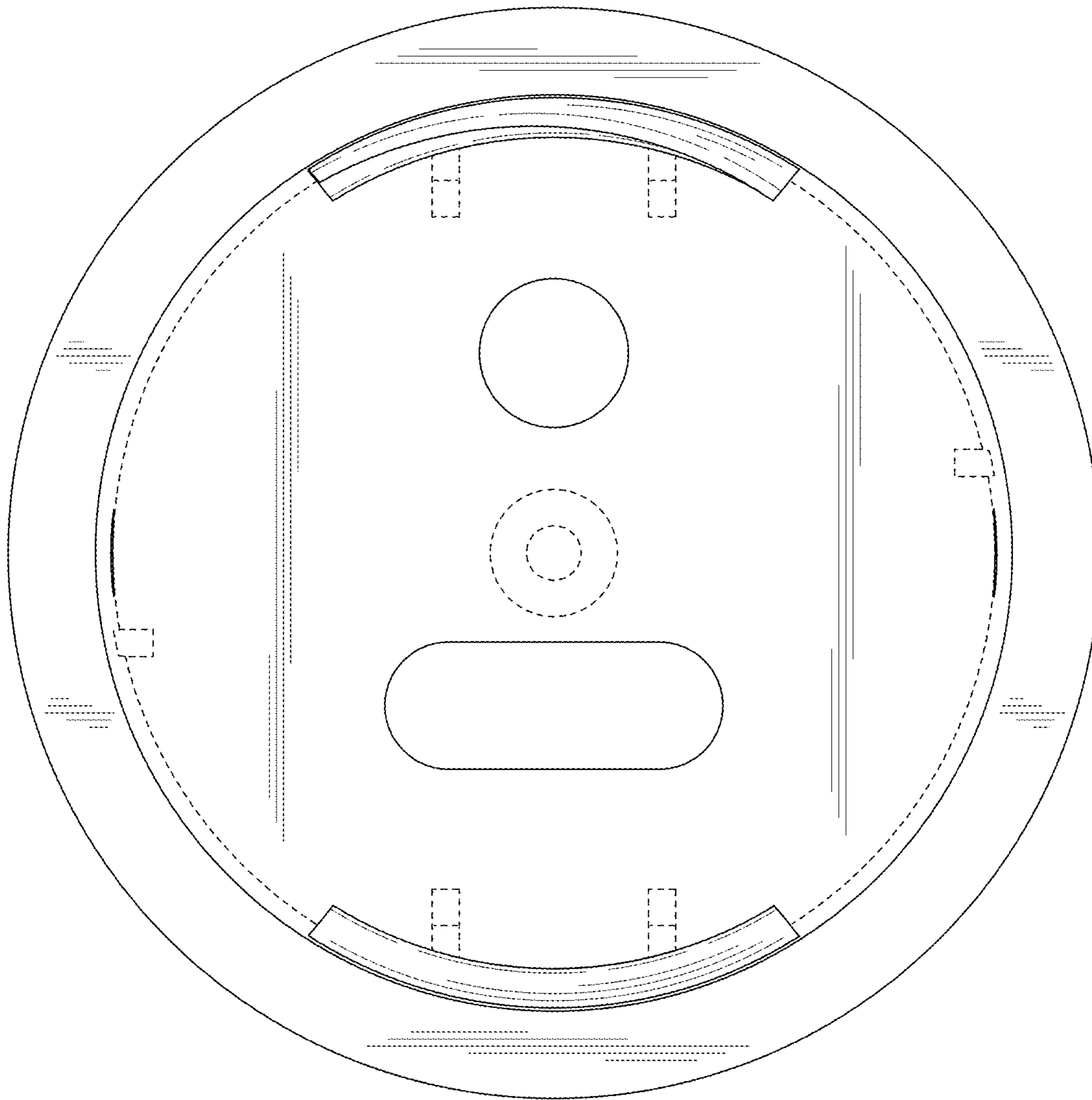


FIG. 8

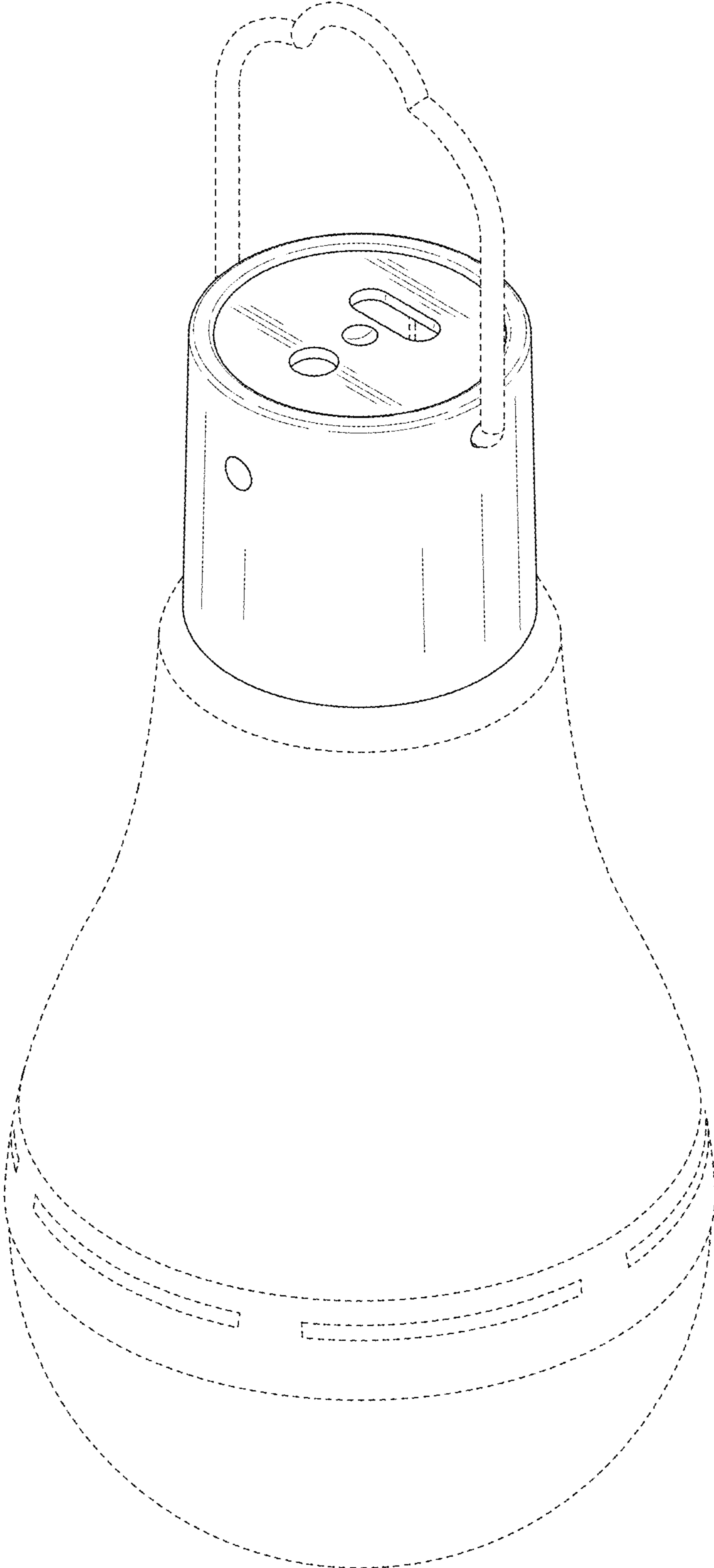


FIG. 9