



US00D986477S

(12) **United States Design Patent** (10) **Patent No.:** **US D986,477 S**
Liu (45) **Date of Patent:** **** May 16, 2023**

(54) **FLOOR LAMP**

(71) Applicant: **Gaohui Liu**, Qingdao (CN)
(72) Inventor: **Gaohui Liu**, Qingdao (CN)
(**) Term: **15 Years**

(21) Appl. No.: **29/764,362**

(22) Filed: **Dec. 29, 2020**

(51) **LOC (14) Cl.** **26-05**

(52) **U.S. Cl.**
USPC **D26/106**

(58) **Field of Classification Search**
USPC D26/24, 61, 62, 63, 65, 93, 102, 106
CPC F21S 6/00; F21S 6/002; F21S 6/004; F21S
6/005; F21S 6/008; F21S 8/08; F21V
19/0075; F21V 21/02; F21V 21/14;
F21W 2131/30
See application file for complete search history.

(56) **References Cited**

U.S. PATENT DOCUMENTS

D589,645 S * 3/2009 Citterio D26/107
D773,089 S * 11/2016 Glass F21V 21/32
D26/62
D776,850 S * 1/2017 Hodgson D26/62
D822,880 S * 7/2018 Hodgson D26/108
D854,227 S * 7/2019 Yu D26/106
D876,705 S * 2/2020 Tang D26/107
D876,706 S * 2/2020 Tang D26/107
D948,104 S * 4/2022 Gu D26/107

FOREIGN PATENT DOCUMENTS

CN 306014344 * 8/2020
CN 306219481 * 12/2020
CN 306896560 * 10/2021
KR 300749576.0000 * 6/2014

OTHER PUBLICATIONS

Soarz Floor Lamp, available in <https://www.amazon.com/>, posted: Jun. 18, 2020 [online], [site visited Jul. 13, 2022], Internet URL: https://www.amazon.com/dp/B08BF6L84J/ref=sspa_dk_detail_0?pd_rd_i=B08BF6L84J&pd_rd_w=EoqoQ&content-id=amzn1.sym.3481f441-61ac-40%E2%80%A6 (Year: 2020).*

(Continued)

Primary Examiner — Sheryl Lane
Assistant Examiner — Alex T. Milbrath

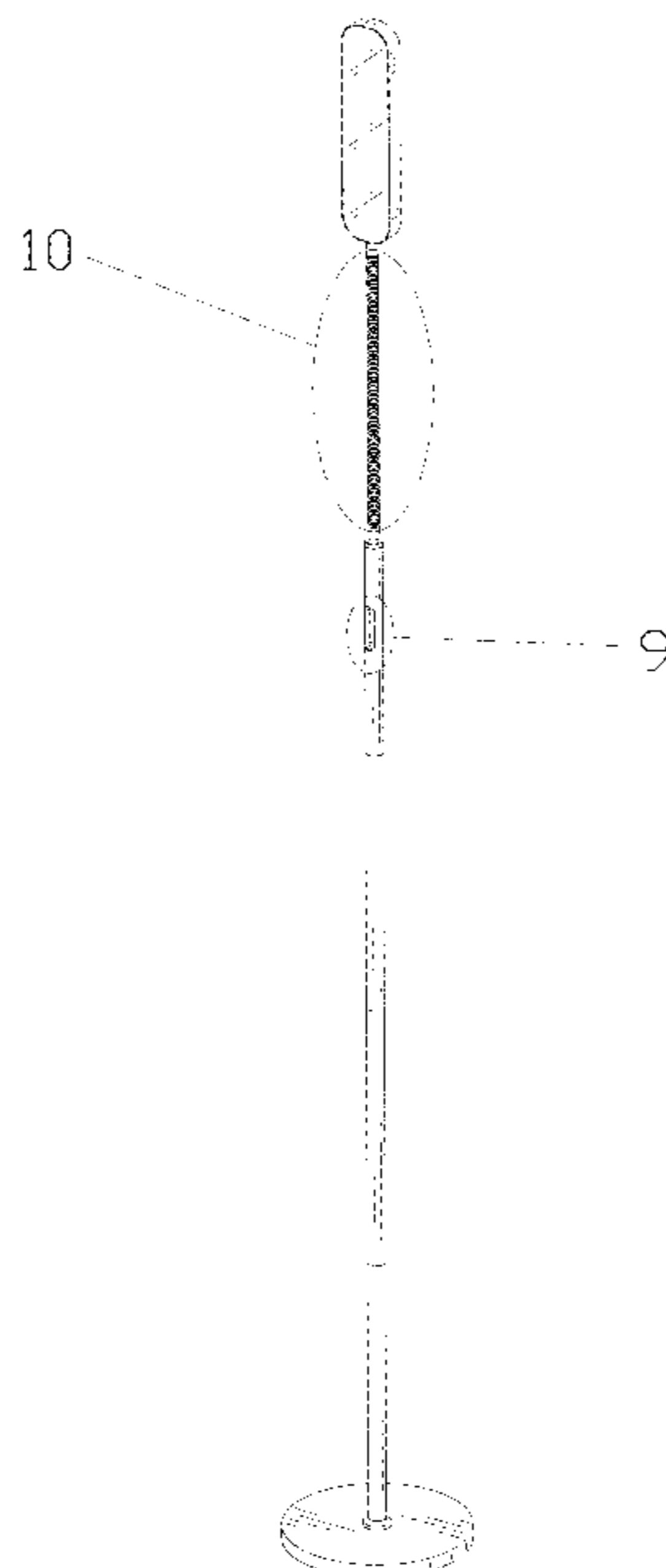
(57) **CLAIM**

The ornamental design for a floor lamp, as shown and described.

DESCRIPTION

FIG. 1 is a perspective view of a floor lamp showing my new design;
FIG. 2 is another perspective view thereof;
FIG. 3 is a front elevational view thereof;
FIG. 4 is a rear elevational view thereof;
FIG. 5 is a left side elevational view thereof;
FIG. 6 is a right side elevational view thereof;
FIG. 7 is a top plan view thereof;
FIG. 8 is a bottom plan view thereof;
FIG. 9 is an enlarged view of portion 9 shown in FIG. 1;
FIG. 10 is an enlarged view of portion 10 shown in FIG. 1;
FIG. 11 is an enlarged view of portion 11 shown in FIG. 2;
and,
FIG. 12 is an enlarged view of portion 12 shown in FIG. 3.
The dash-dash broken lines in the drawings depict portions of the floor lamp that form no part of the claimed design. The dot-dash broken lines depict boundaries of the enlarged portions and form no part of the claimed design.

1 Claim, 12 Drawing Sheets



(56)

References Cited

OTHER PUBLICATIONS

Wio-Mio Floor Lamp, available in <https://www.amazon.com/>, posted: Dec. 1, 2020 [online], [site visited Jul. 13, 2022], Internet URL: https://www.amazon.com/dp/B08BY9124H/ref=sspa_dk_detail_2?pd_rd_i=B08BY9124H&pd_rd_w=M4hzC&content-id=amzn1.sym.3481f441-61ac-%E2%80%A6/13 (Year: 2020).*

Sympa LED Floor lamp, available in <https://www.amazon.com/>, posted: Apr. 11, 2022 [online], [site visited Jul. 13, 2022], Internet URL: https://www.amazon.com/dp/B09SHX4C8V/ref=sspa_dk_detail_0?psc=1&pd_rd_i=B09SHX4C8V&pd_rd_w=M4hzC&content-id=amzn1.sym.3481f44-%E2%80%A6 (Year: 2022).*

Kozis Cordless Rechargeable Type-C FlexLamp, available in <https://www.amazon.com/>, posted: Jan. 23, 2021 [online], [site visited Jul. 13, 2022], Internet URL: https://www.amazon.com/dp/B08TTKJFJG/ref=sspa_dk_detail_3?pf_rd_p=3481f441-61-ac-4028-9c1a-7f9ce8ec50c5&pf_rd_r=CNDGWGBDNYD3T%E2%80%A6 (Year: 2021).*

* cited by examiner

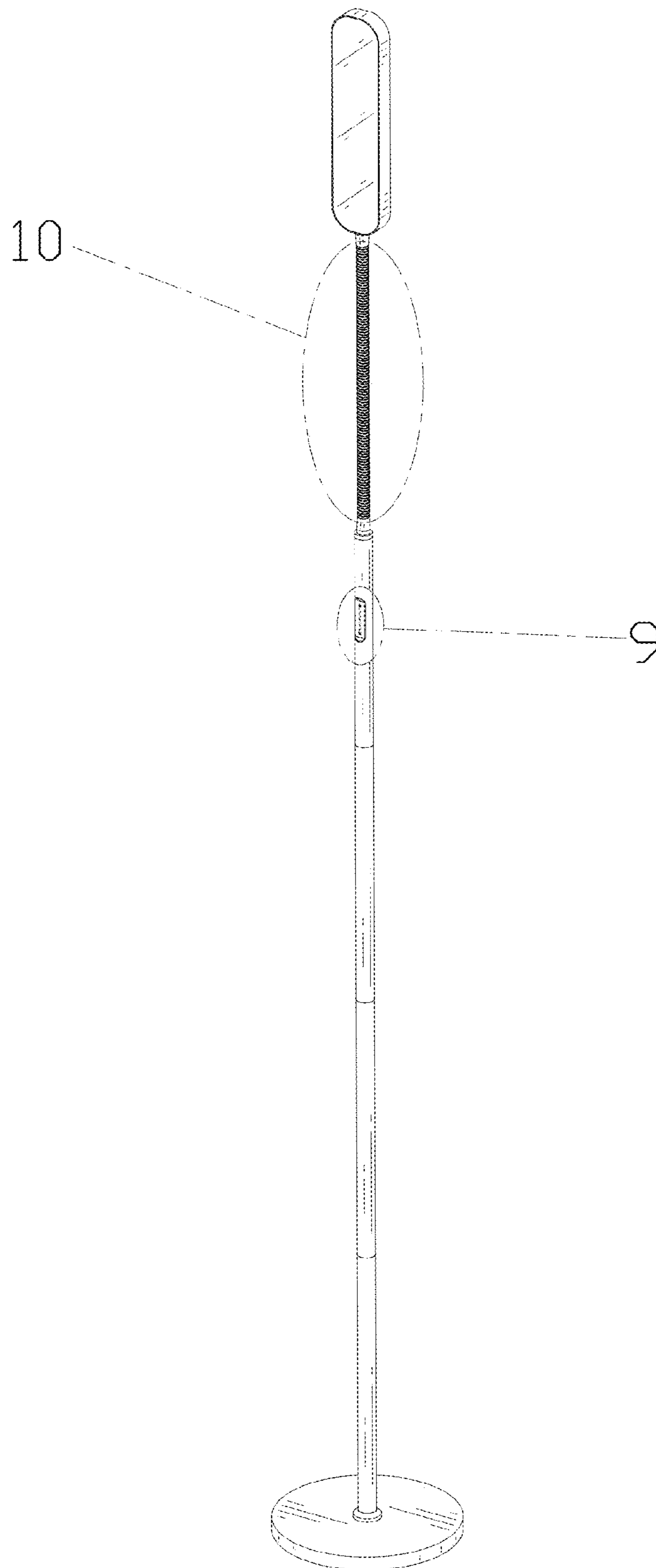


FIG. 1

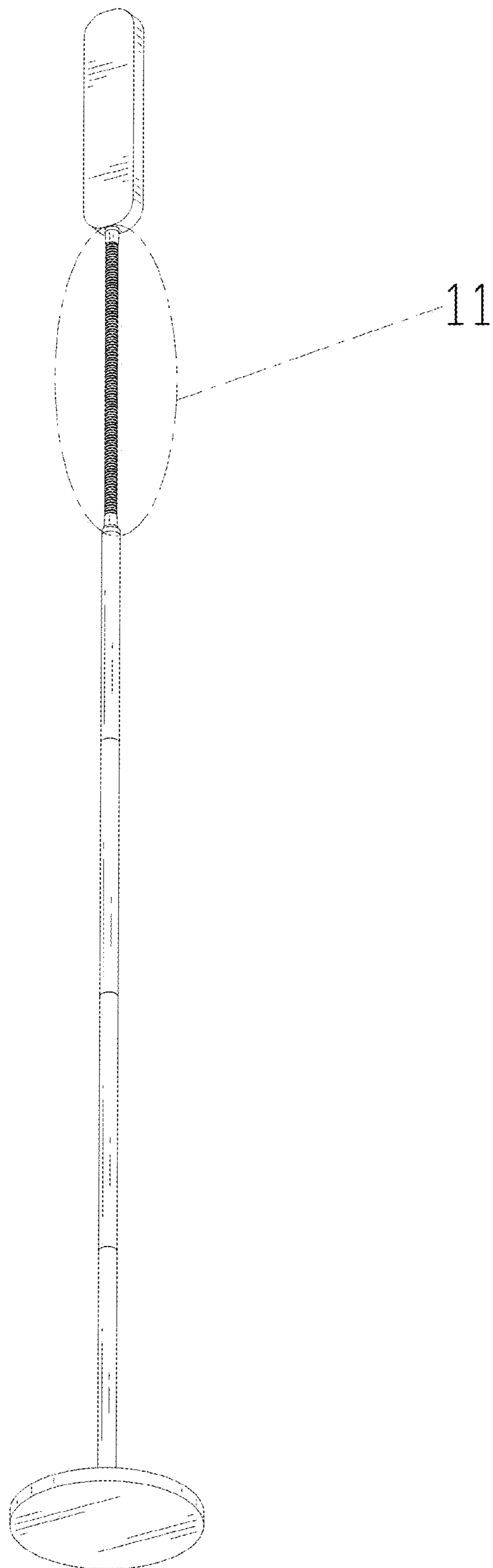


FIG. 2

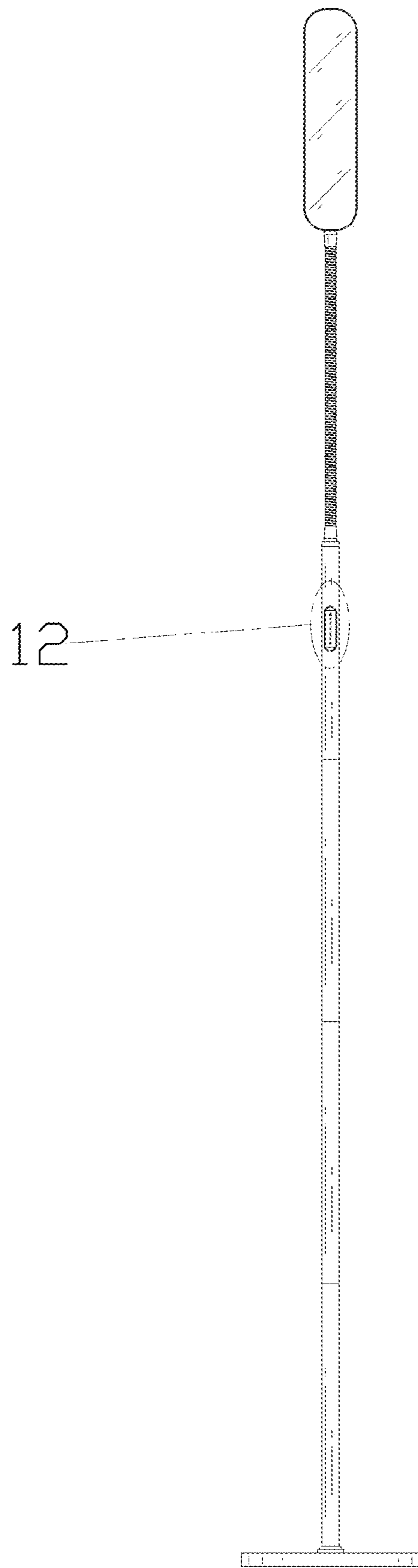


FIG. 3

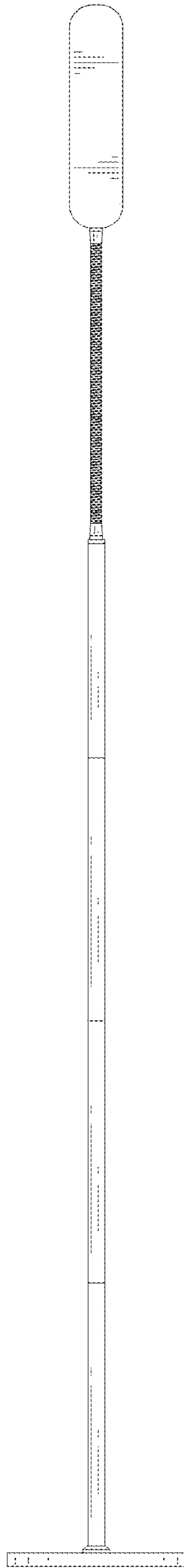


FIG. 4

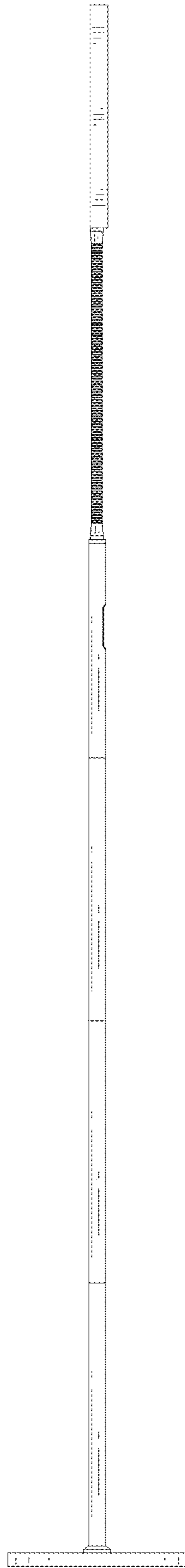


FIG. 5

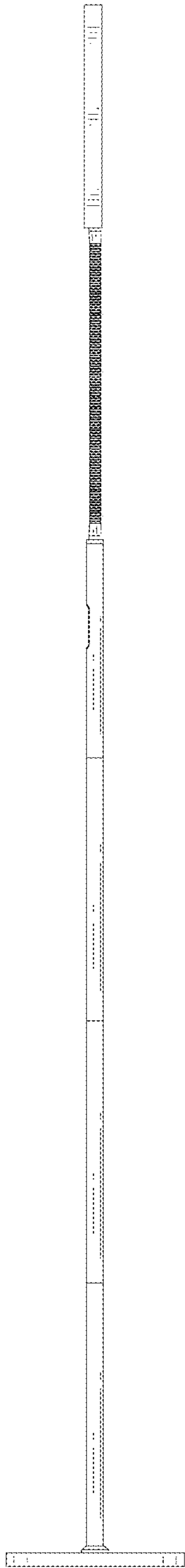


FIG. 6

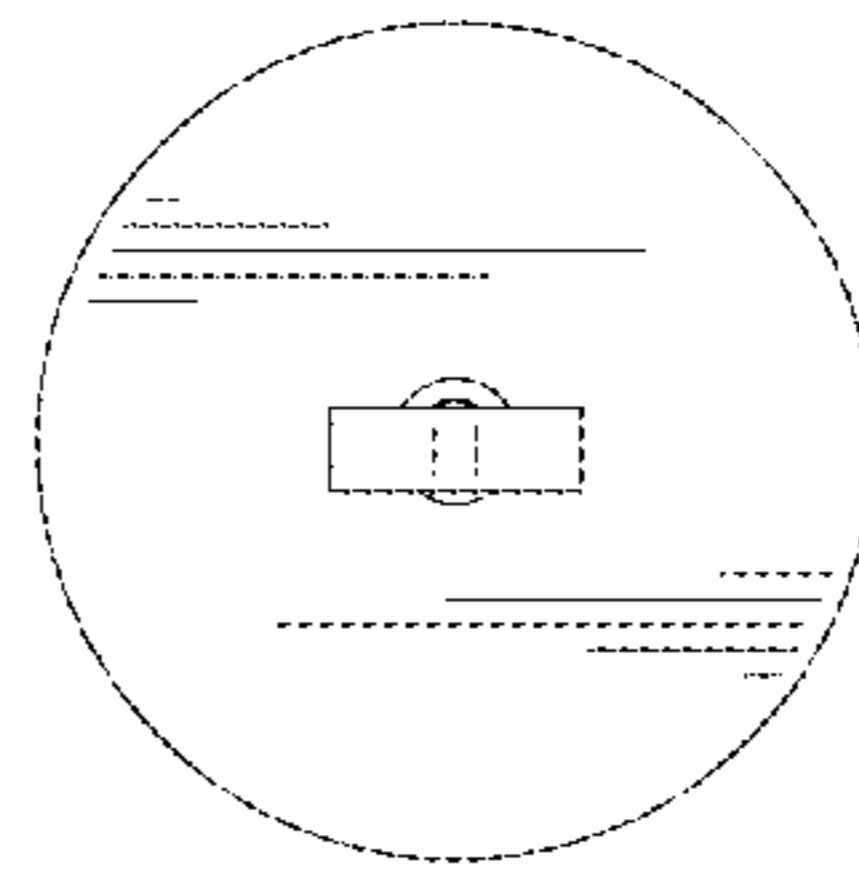


FIG. 7

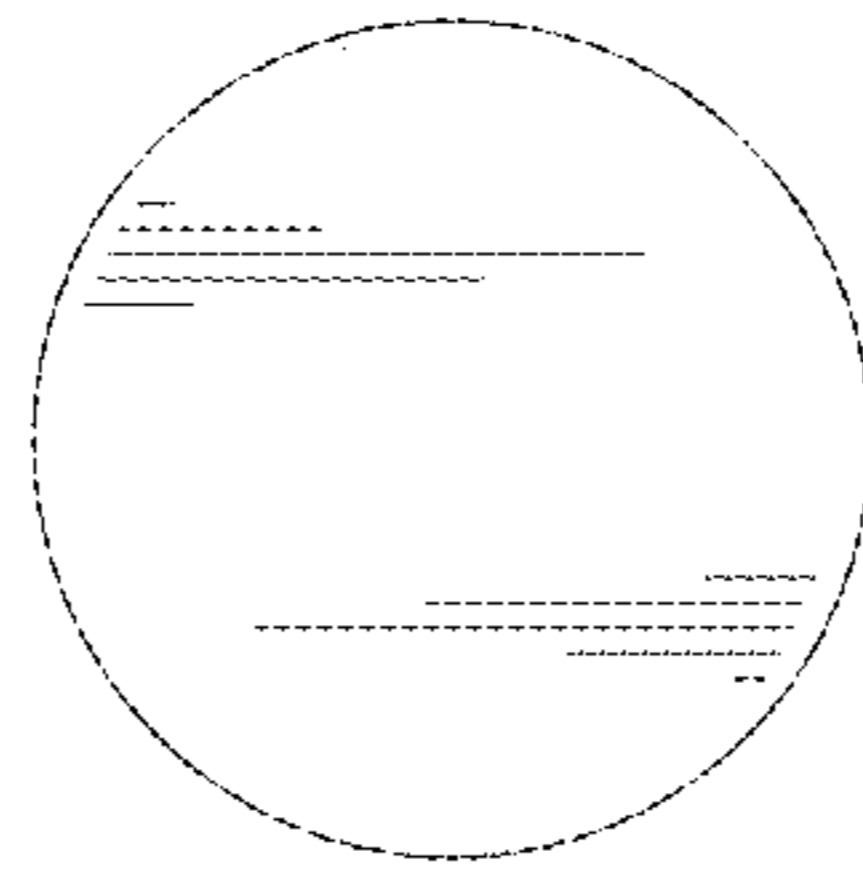


FIG. 8

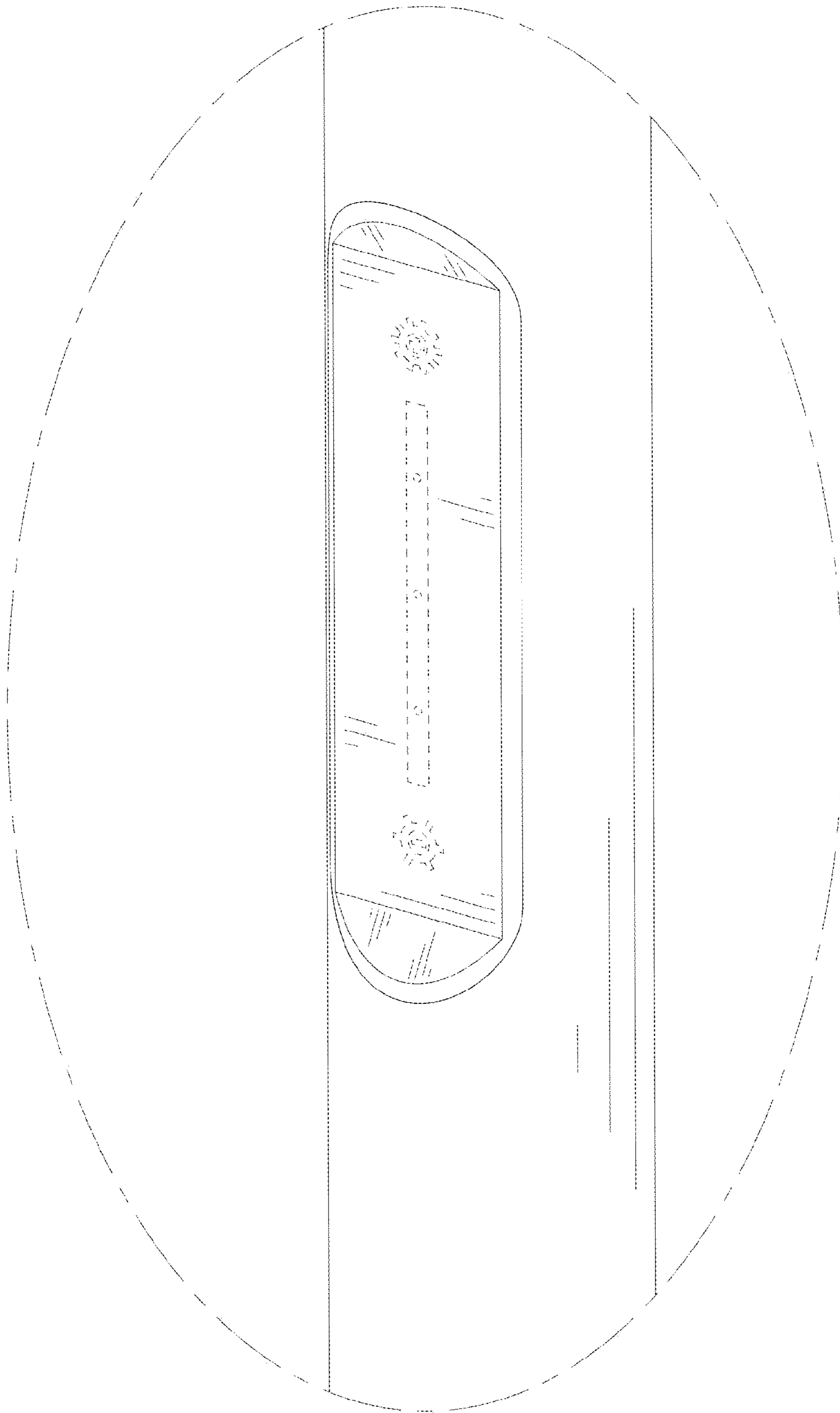


FIG. 9

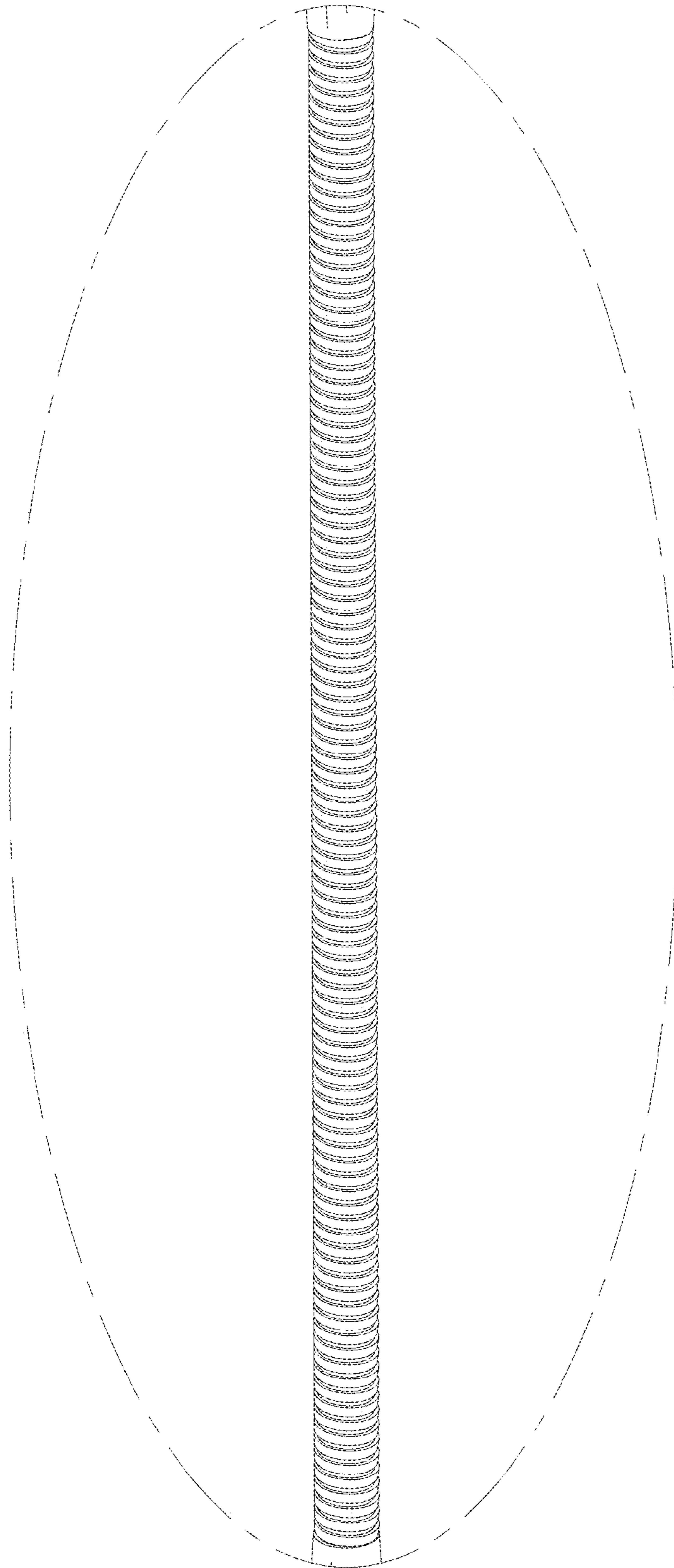


FIG. 10

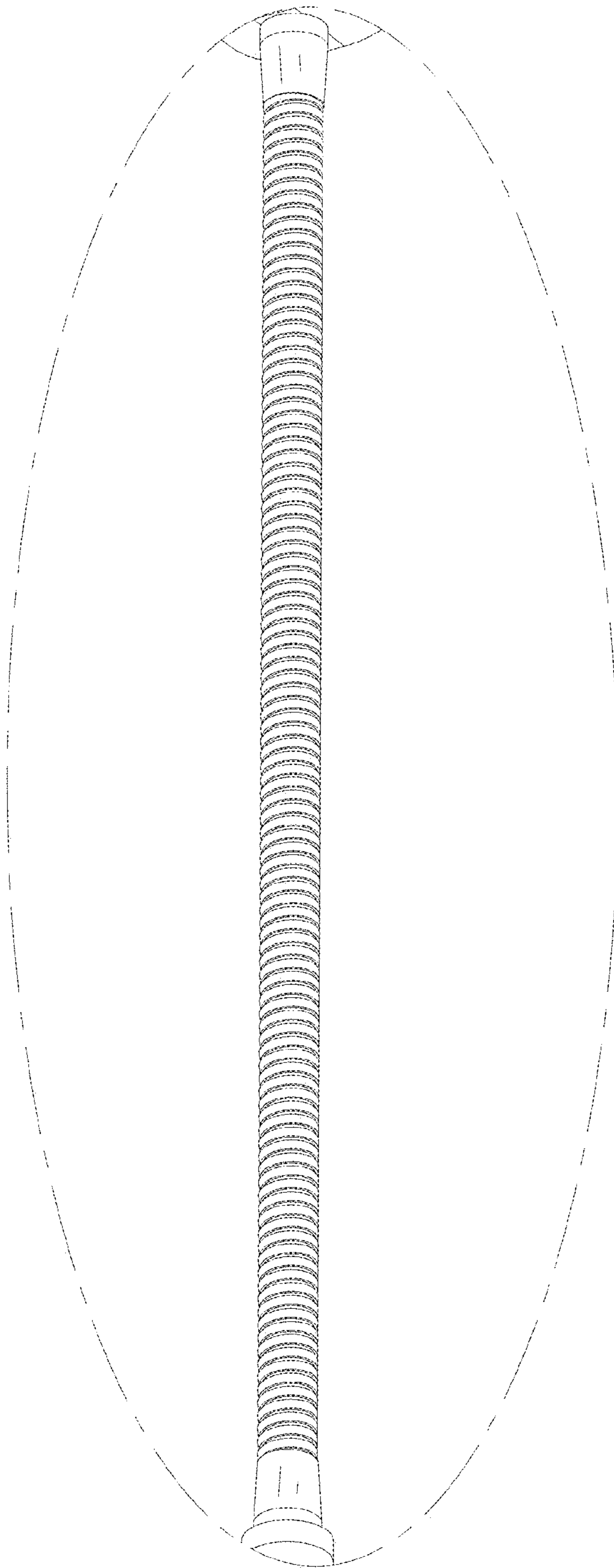


FIG. 11

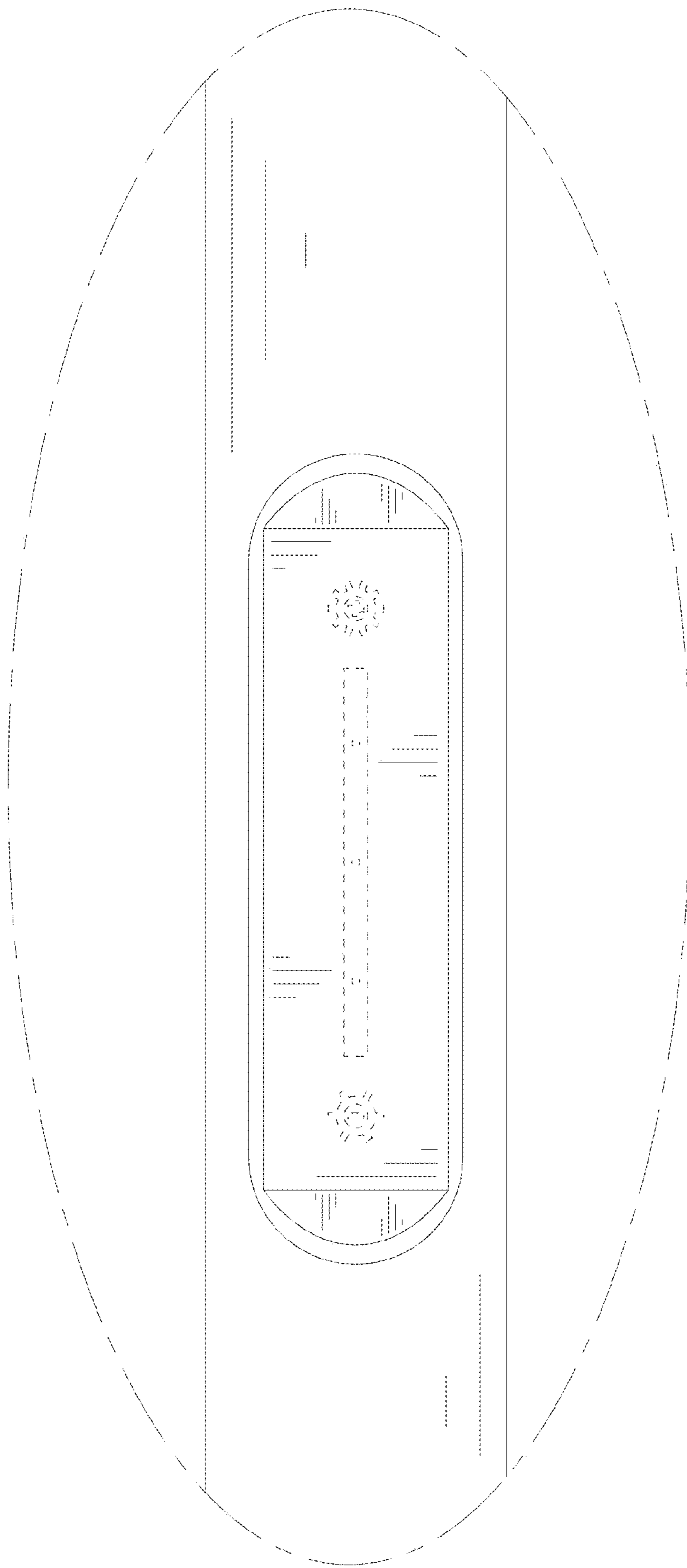


FIG. 12