



US00D986475S

(12) **United States Design Patent** (10) **Patent No.:** **US D986,475 S**
Gao (45) **Date of Patent:** **** May 16, 2023**

(54) **SOLAR LANTERN**

FOREIGN PATENT DOCUMENTS

(71) Applicant: **Shenzhen Luban Network Technology Co., Ltd.**, Shenzhen (CN)

CN 303477430 * 12/2015
CN 304959644 * 12/2018
IN 286575-0001 * 12/2016
WO WO-D223445-001 * 9/2022

(72) Inventor: **Shang Gao**, Shenzhen (CN)

(73) Assignee: **Shenzhen Luban Network Technology Co., Ltd.**, Shenzhen (CN)

OTHER PUBLICATIONS

(**) Term: **15 Years**

Solar EnergyLED Camping Lantern, available in <https://www.amazon.com/>, posted: Jun. 28, 2022 [online], [site visited: Jan. 12, 2023], Internet URL: <https://www.amazon.com/EnergyLED-Waterproof-Flashlight-Multifunction-Three-Speed/dp/B0B59TD98Z> (Year: 2022).*

(21) Appl. No.: **29/862,006**

(22) Filed: **Dec. 6, 2022**

(Continued)

(51) **LOC (14) Cl.** **26-05**

Primary Examiner — Sheryl Lane

(52) **U.S. Cl.**
USPC **D26/93**

Assistant Examiner — Alex T. Milbrath

(58) **Field of Classification Search**
USPC D26/37-51
CPC F21L 4/00; F21L 4/005; F21L 4/02; F21L 4/025; F21L 4/027; F21L 4/04; F21L 4/08; F21L 13/00; F21L 13/04; F21L 13/08; F21L 14/02; F21L 17/00; F21L 19/00

(57) **CLAIM**

The ornamental design for a solar lantern, as shown and described.

See application file for complete search history.

DESCRIPTION

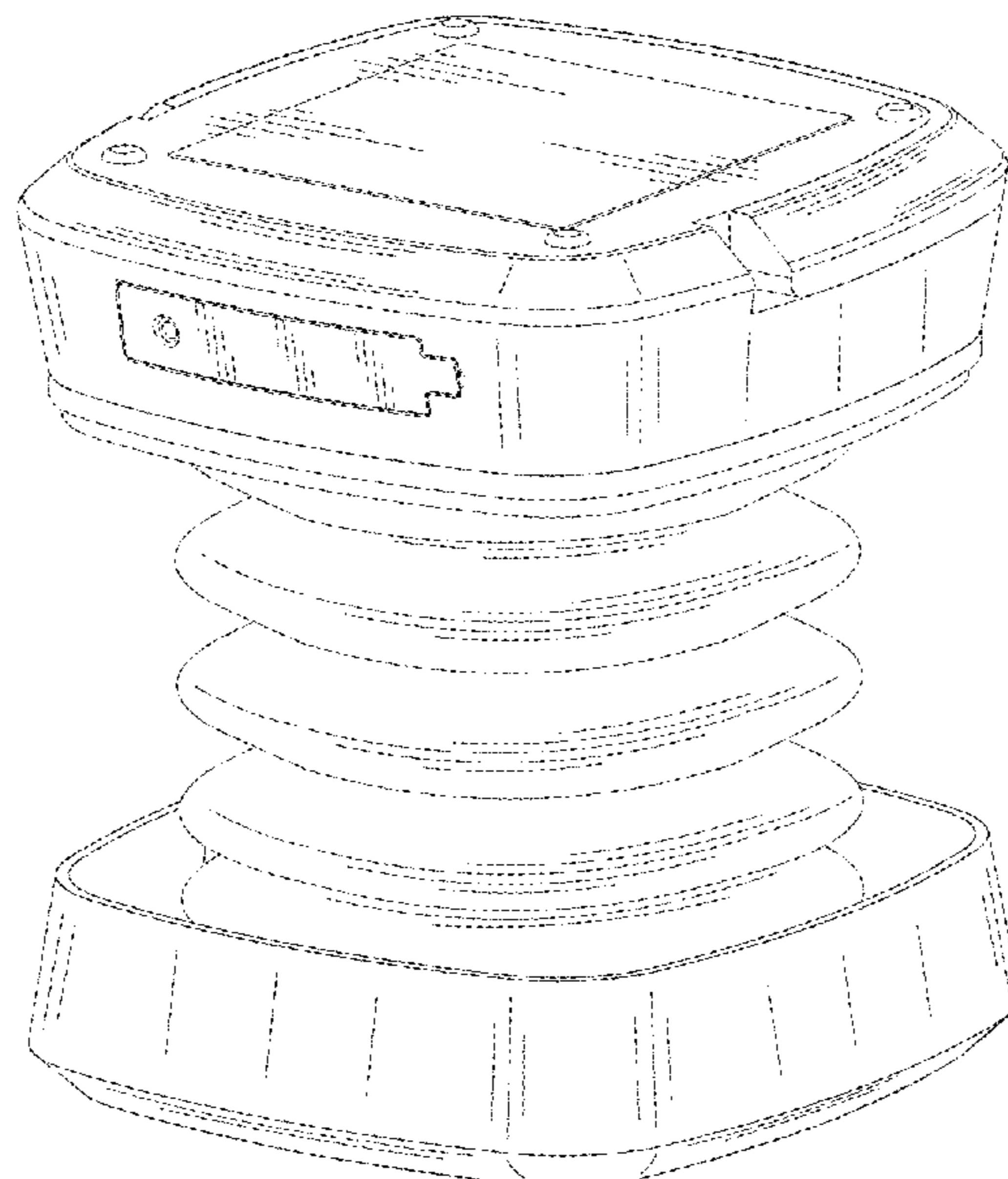
(56) **References Cited**

U.S. PATENT DOCUMENTS

D548,865 S * 8/2007 Meoli D26/40
D621,985 S * 8/2010 Sanoner D26/67
D627,090 S * 11/2010 Sanoner D26/40
D776,315 S * 1/2017 Wu D26/41
D848,043 S * 5/2019 Zhuo D26/41
D879,745 S * 3/2020 Lyu D14/214
D880,037 S * 3/2020 Zhang D26/40
D905,890 S * 12/2020 Liu D26/74
D935,661 S * 11/2021 Hu D26/41
D953,596 S * 5/2022 Zeng D26/67
D955,025 S 6/2022 Luo
2020/0340636 A1 * 10/2020 Bertken F21V 21/096

FIG. 1 is a front, top and right side perspective view of a solar lantern, showing my new design;
FIG. 2 is a front, top and right side perspective view thereof in a closed state;
FIG. 3 is a front view thereof;
FIG. 4 is a rear view thereof;
FIG. 5 is a left side view thereof;
FIG. 6 is a right side view thereof;
FIG. 7 is a top view thereof; and,
FIG. 8 is a bottom view thereof.
The broken lines in the drawings illustrate the portions of the solar lantern, which form no part of the claimed design.

1 Claim, 8 Drawing Sheets



(56)

References Cited

OTHER PUBLICATIONS

SolCube—Solar Powered Camping Lantern, available in <https://www.amazon.com/>, posted: Jun. 12, 2020 [online], [site visited: Jan. 12, 2023], Internet URL: <https://www.amazon.com/SolCube-Powered-Camping-Lantern-Survival/dp/B08B45CRZG?th=1> (Year: 2020).*

VGAGV Collapsible LED Solar Camping Lantern, available in <https://www.amazon.com/>, [online], [site visited: Jan. 12, 2023], Internet URL: <https://www.amazon.com/SolCube-Powered-Camping-Lantern-Survival/dp/B08B45CRZG?th=1> (Year: 2023).*

Hybridlight Solar Rechargeable Lantern, available in <https://www.amazon.com/>, posted: Nov. 2, 2017 [online], [site visited: Jan. 12, 2023], Internet URL: <https://www.amazon.com/HYBRIDLIGHT-Solar-Rechargeable-Lantern-Built/dp/B0773SCH63?th=1> (Year: 2017).*

* cited by examiner

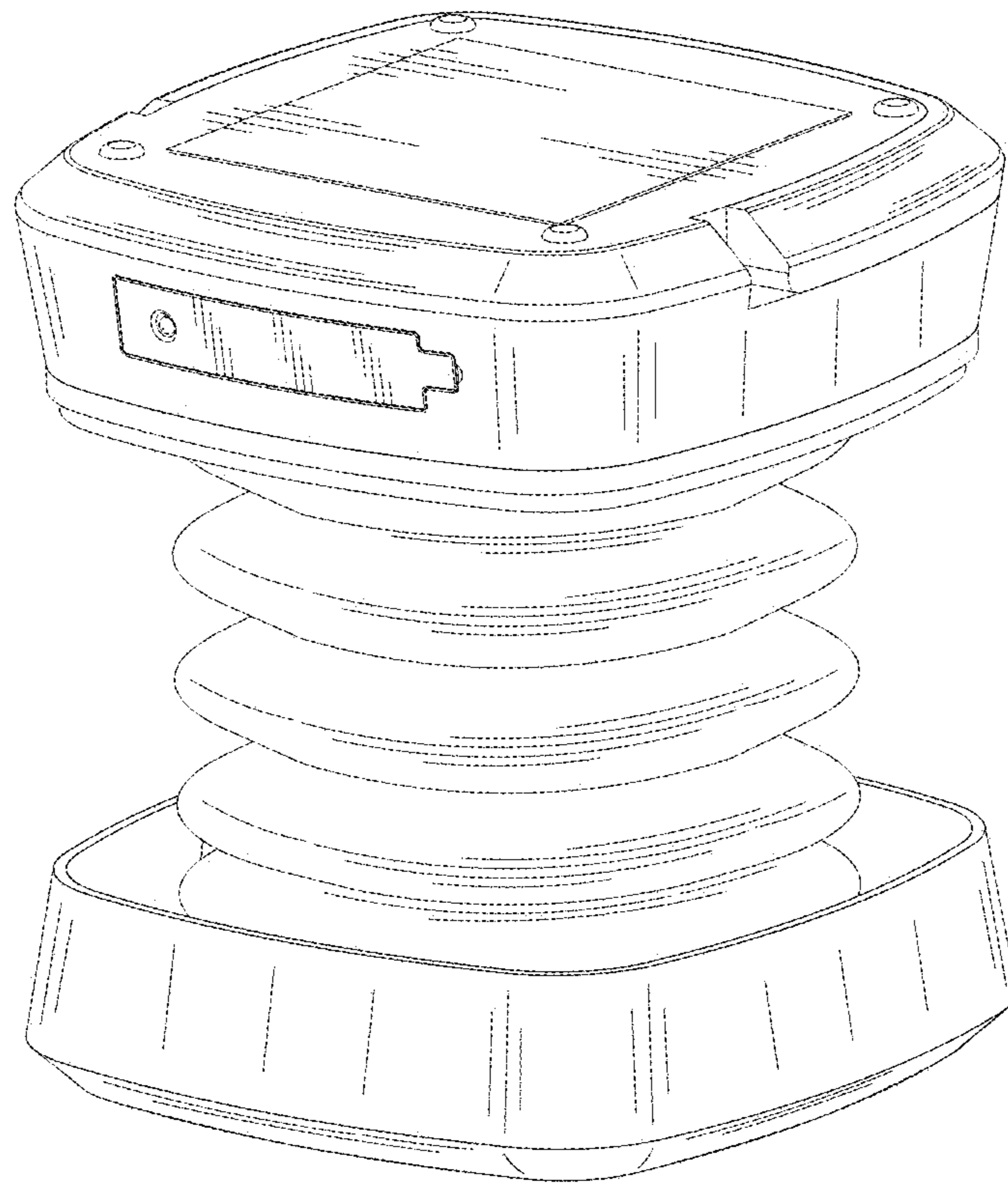


FIG. 1

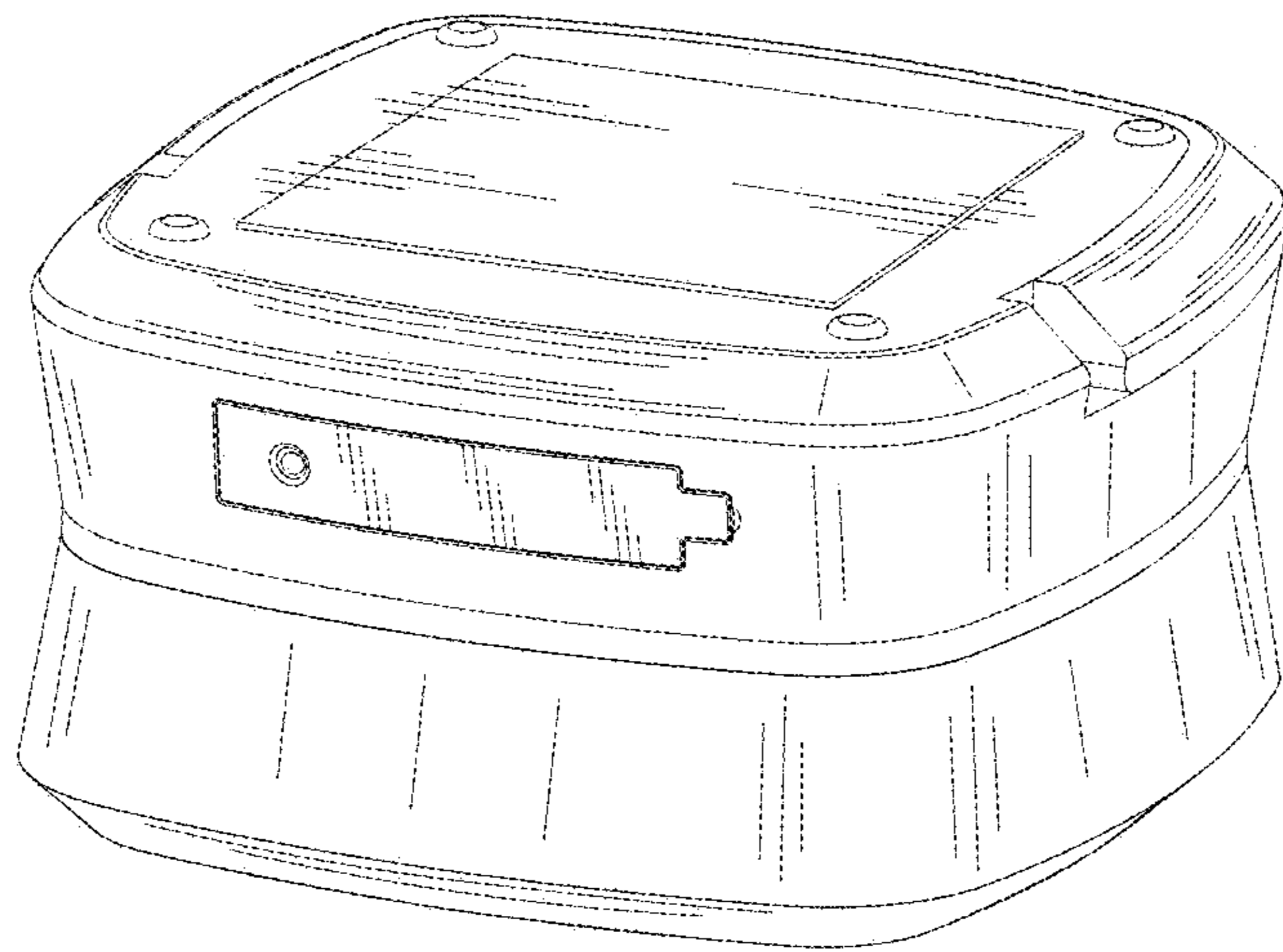


FIG. 2

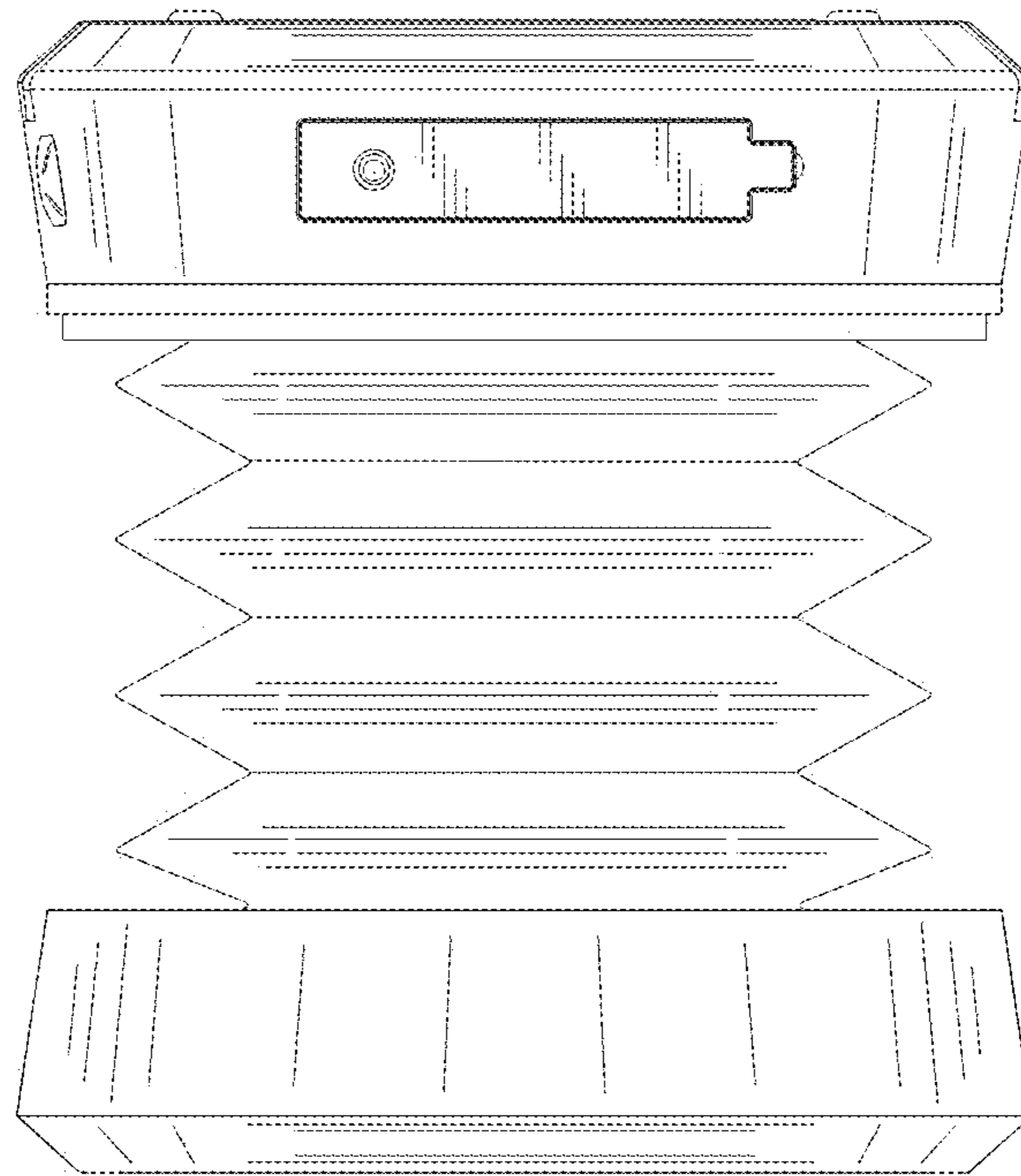


FIG. 3

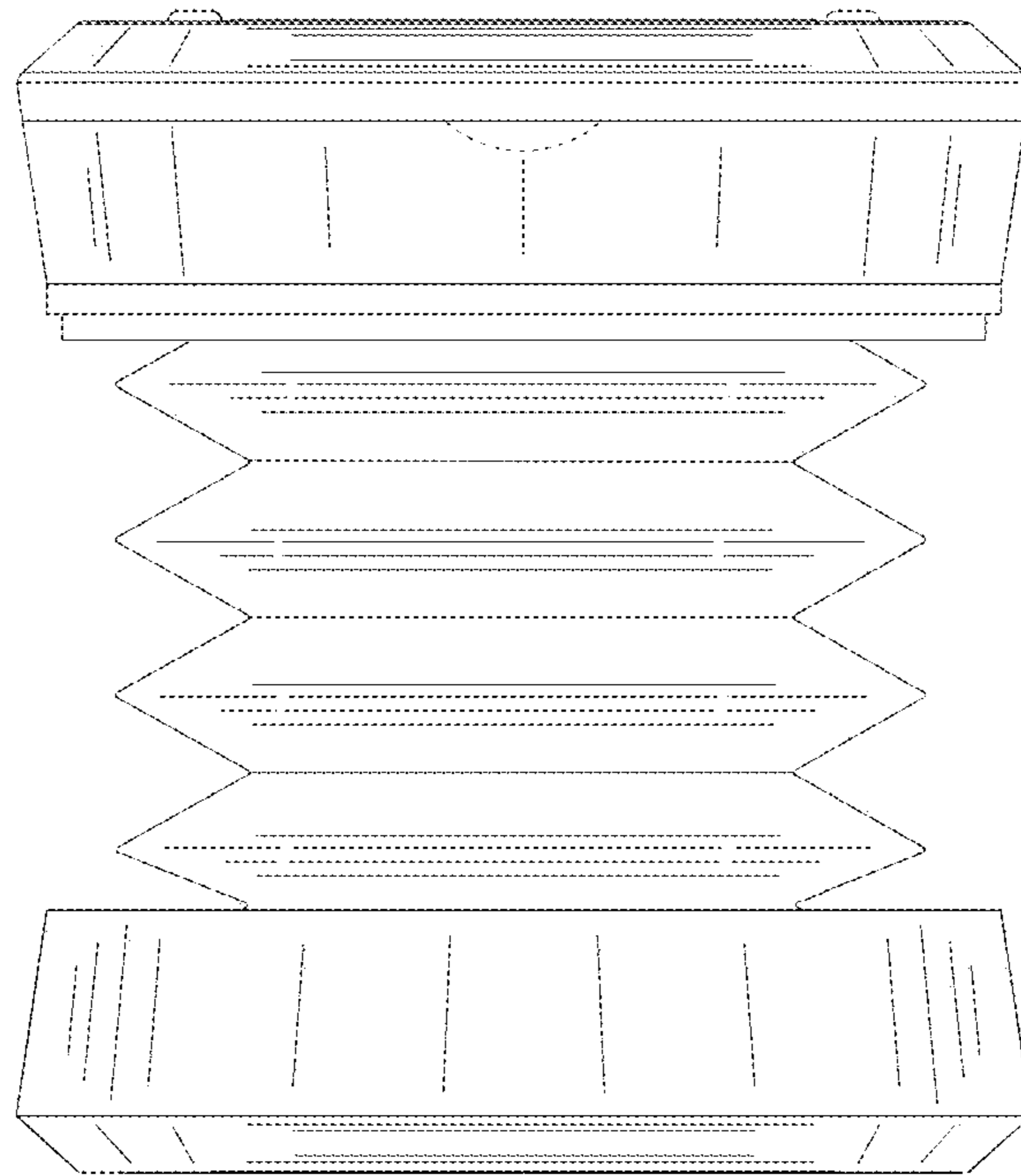


FIG. 4

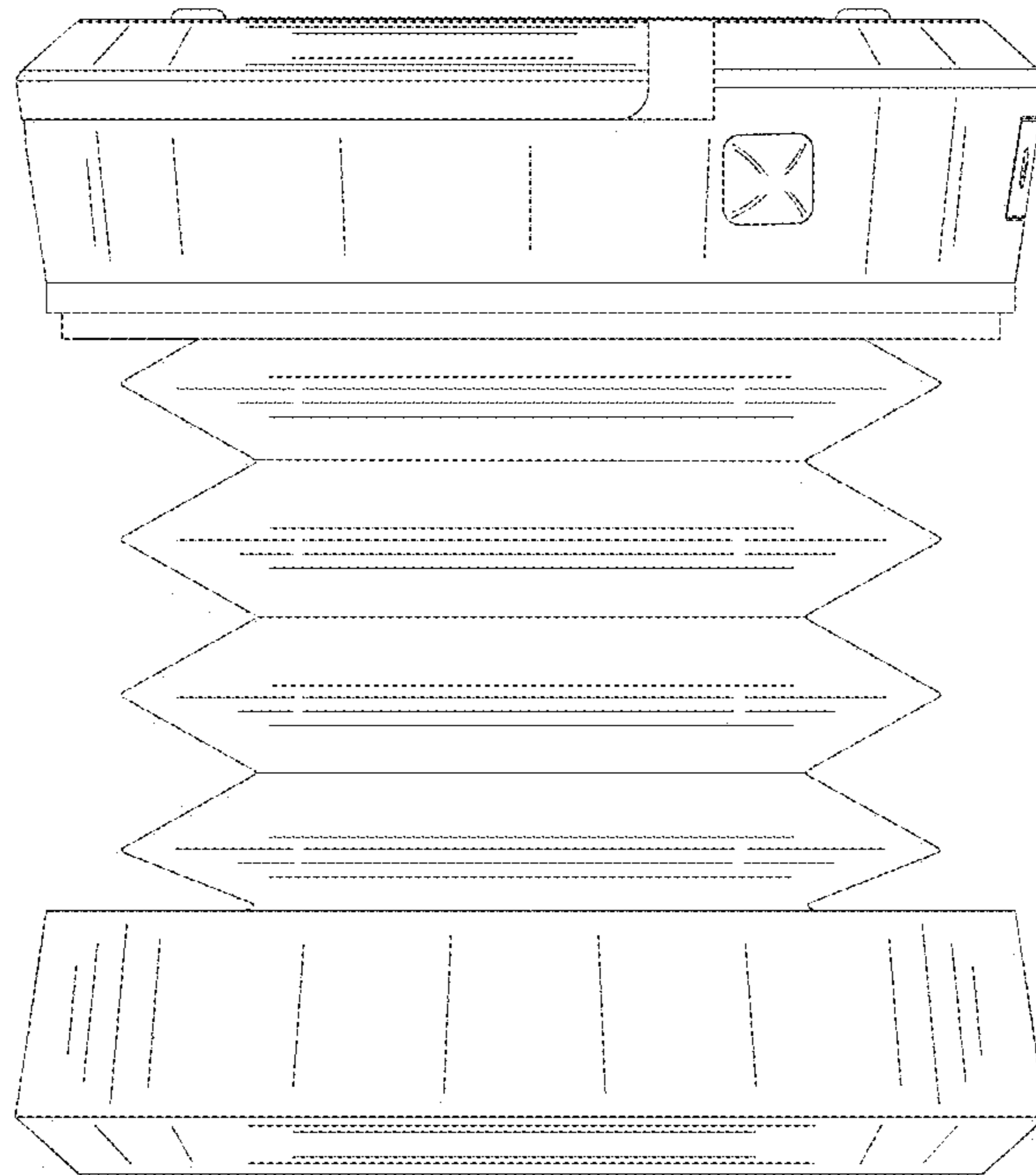


FIG. 5

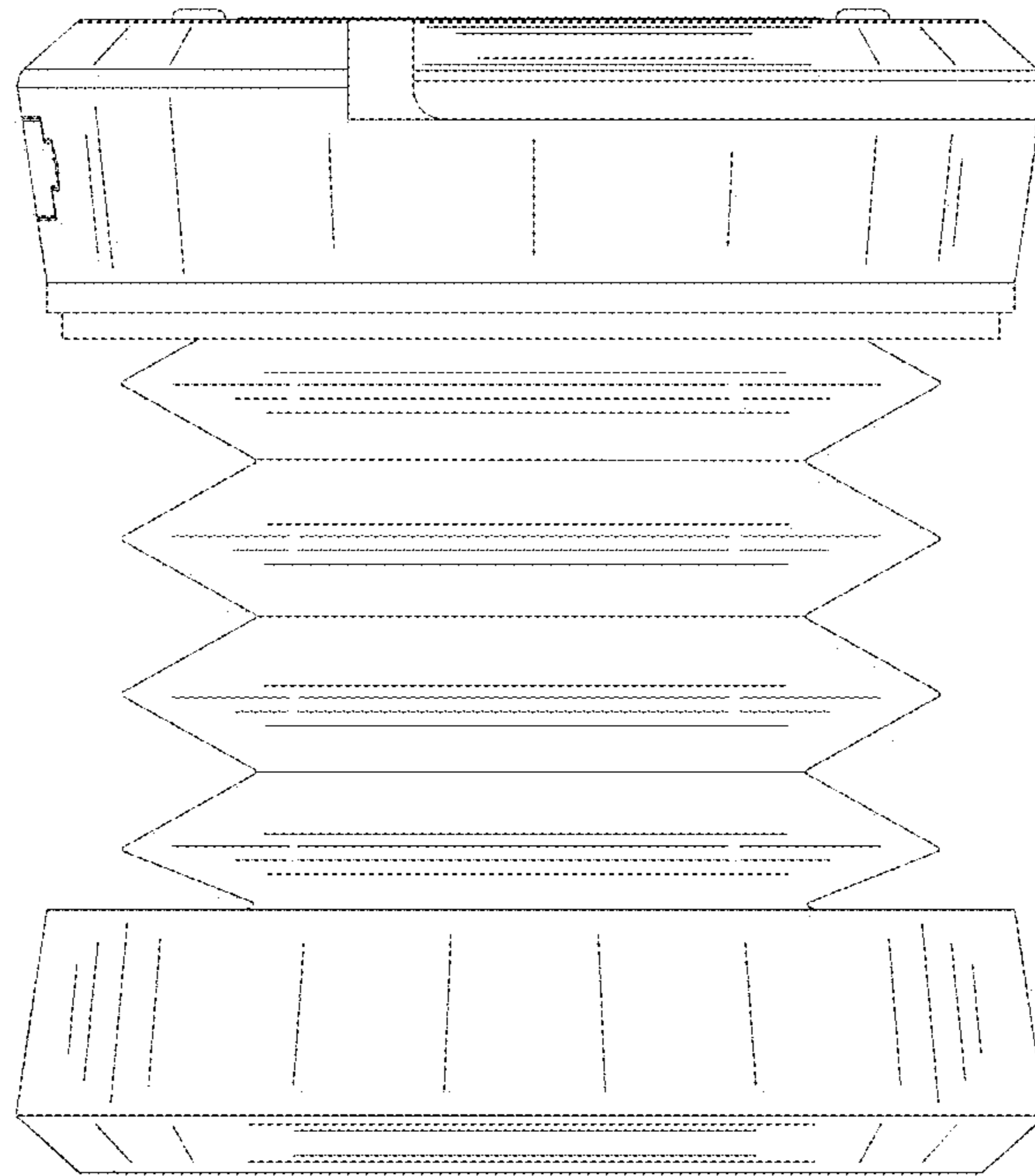


FIG. 6

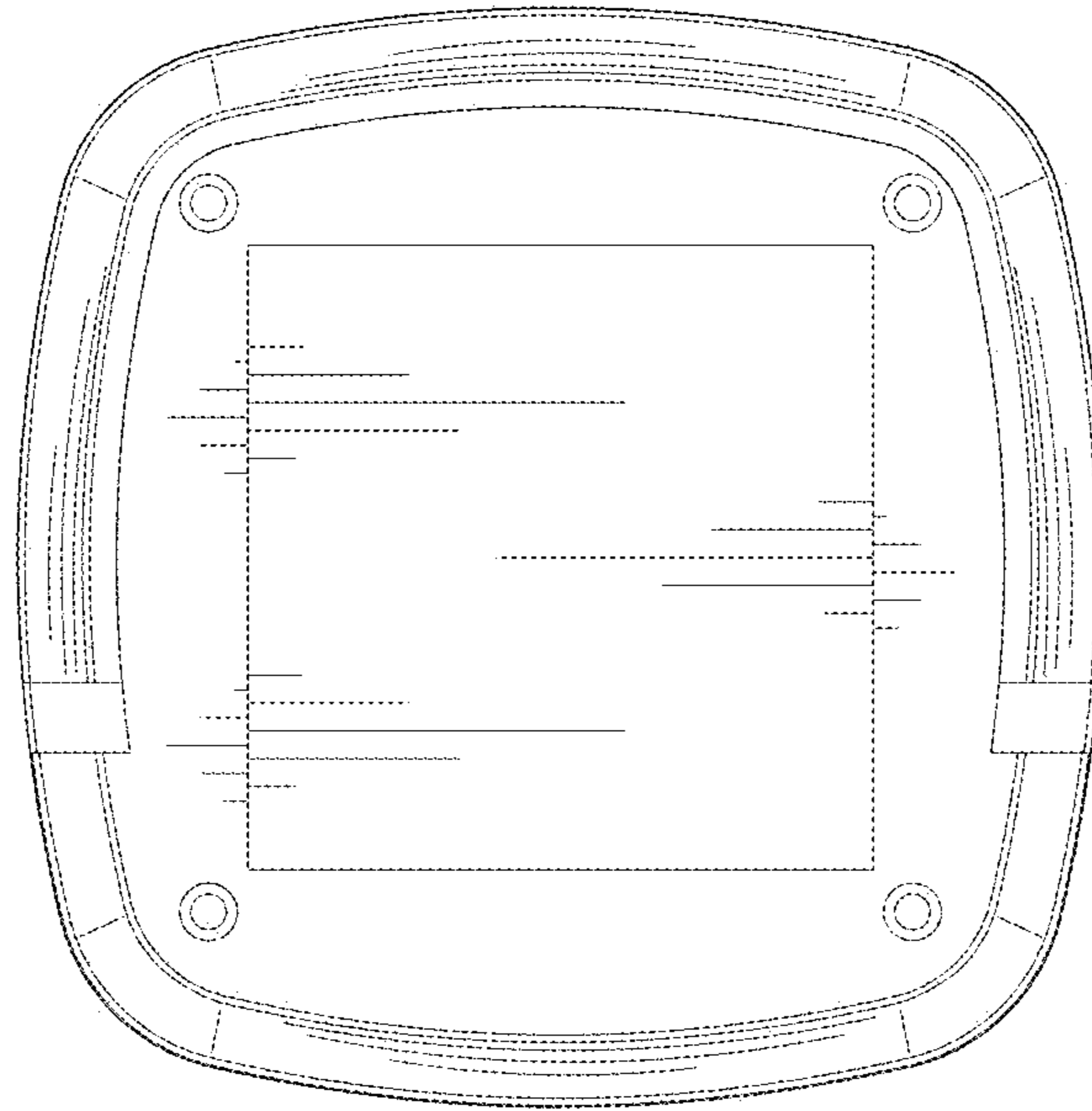


FIG. 7

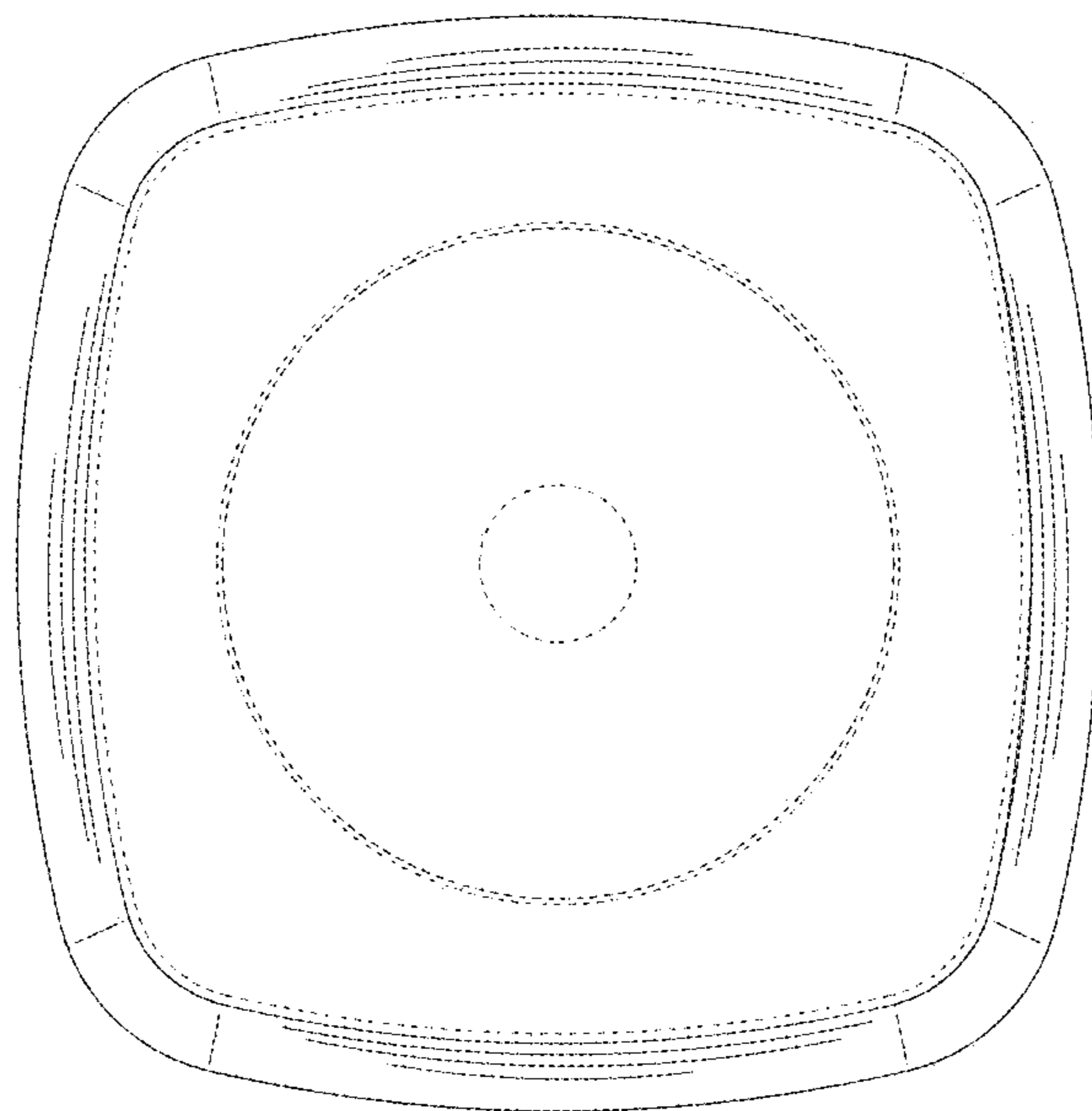


FIG. 8