



US00D986474S

(12) **United States Design Patent** (10) **Patent No.:** **US D986,474 S**  
**Liu** (45) **Date of Patent:** **\*\* May 16, 2023**

(54) **CEILING LIGHT**

- (71) Applicant: **Xiangzhou Liu**, Hunan (CN)
- (72) Inventor: **Xiangzhou Liu**, Hunan (CN)
- (73) Assignee: **Shenzhen Nueda Technology Co., Ltd.**, Guangdong (CN)
- (\*\*) Term: **15 Years**
- (21) Appl. No.: **29/809,571**
- (22) Filed: **Sep. 29, 2021**
- (51) **LOC (14) Cl.** ..... **26-05**
- (52) **U.S. Cl.**  
USPC ..... **D26/80; D26/86; D26/87**
- (58) **Field of Classification Search**  
USPC ..... D26/24, 59-65, 72-92  
CPC .... F21S 6/003; F21S 6/002; F21S 6/00; F21S 8/00; F21S 10/00; F21S 6/004; F21S 6/006; F21S 6/008; F21V 21/26; F21V 21/14; F21Y 2115/10  
See application file for complete search history.

(56) **References Cited**

**U.S. PATENT DOCUMENTS**

D259,060 S *	4/1981	Hansen	.....	D26/59
D354,824 S *	1/1995	Lewis	.....	D26/80
D576,339 S	9/2008	Porter		
D620,629 S	7/2010	Sabernig		
D634,046 S	3/2011	Sabernig		
D655,852 S	3/2012	Sabernig		
D659,884 S	5/2012	Sabernig		
D794,863 S	8/2017	Sonneman		
D819,253 S	5/2018	Hendifar et al.		
D819,867 S	6/2018	Hendifar et al.		
D906,577 S *	12/2020	Gardner	.....	D26/80
D919,872 S *	5/2021	Hendifar	.....	D26/83

**OTHER PUBLICATIONS**

2 Light Industrial Vanity Light Fixture. By JAGEZ. Dated Jun. 30, 2020. Found online [Sep. 7, 2022]. <https://www.amazon.com/JAGEZ-Bathroom-Fixture-Industrial-2-Light/dp/B086QM5PN4> (Year: 2020).\*

Semi Flush Mount Ceiling Light. By Ascelina. Dated Jul. 21, 2021. Found online [Sep. 7, 2022]. <https://www.amazon.com/Ceiling-%E2%80%8E3-Light-Industrial-Fixtures-Vintage/dp/B099ZHBKJG> (Year: 2021).\*

Semi Flush Mount Ceiling Light Fixture. Dated Mar. 10, 2021. Found online [Sep. 7, 2022]. <https://www.amazon.com/Bathroom-3-Light-Crystal-Fixtures-Lighting/dp/B09CKTSSCF> (Year: 2021).\*

2 Light Wall Sconce Lighting. By EFINEHOME. Dated Oct. 26, 2019. Found online [Sep. 7, 2022]. <https://www.amazon.com/EFINEHOME-Lighting-Minimalist-Interior-Industrial/dp/B07ZMBBR7T> (Year: 2019).\*

\* cited by examiner

*Primary Examiner* — Mark A Goodwin  
*Assistant Examiner* — William B Melliar

(57) **CLAIM**

The ornamental design for a ceiling light, as shown and described.

**DESCRIPTION**

FIG. 1 is a perspective view of a ceiling light design showing my new design.

FIG. 2 is a front view of a ceiling light.

FIG. 3 is a rear view of a ceiling light.

FIG. 4 is a left side view of a ceiling light.

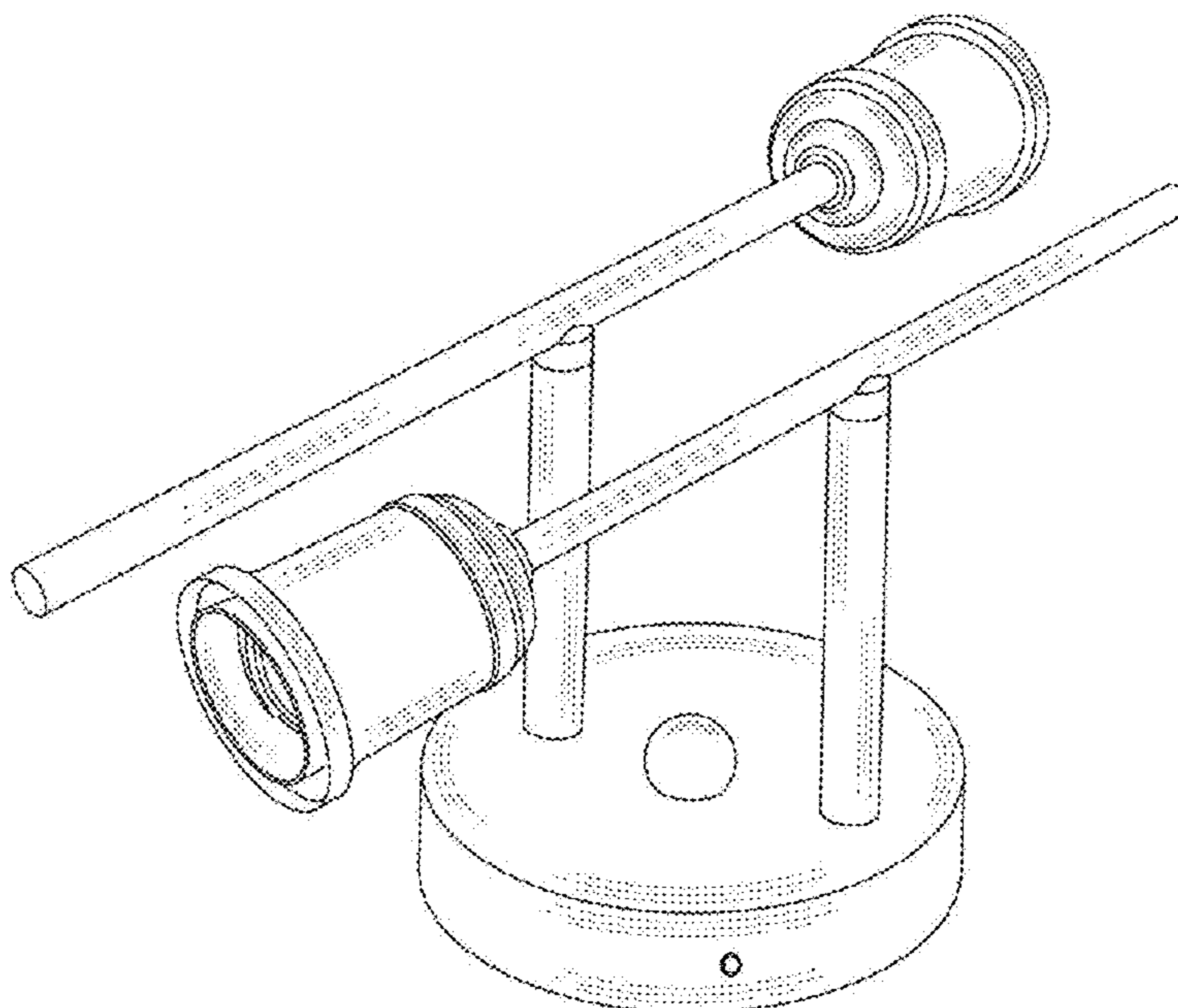
FIG. 5 is a right side view of a ceiling light.

FIG. 6 is a top view of a ceiling light; and,

FIG. 7 is a bottom view of a ceiling light.

The broken lines in the drawings depict portions of the ceiling light that form no part of the claimed design.

**1 Claim, 7 Drawing Sheets**



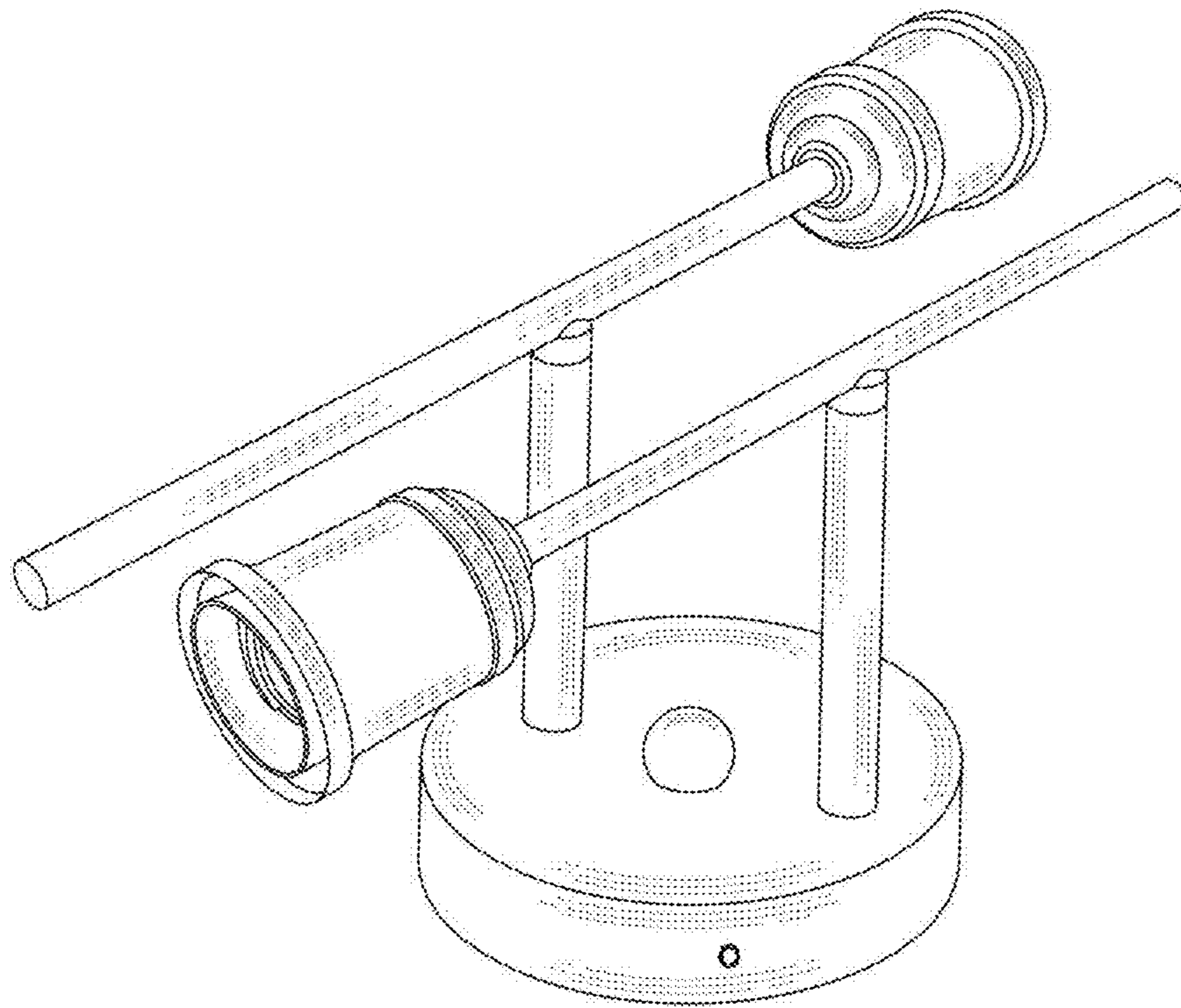


FIG. 1

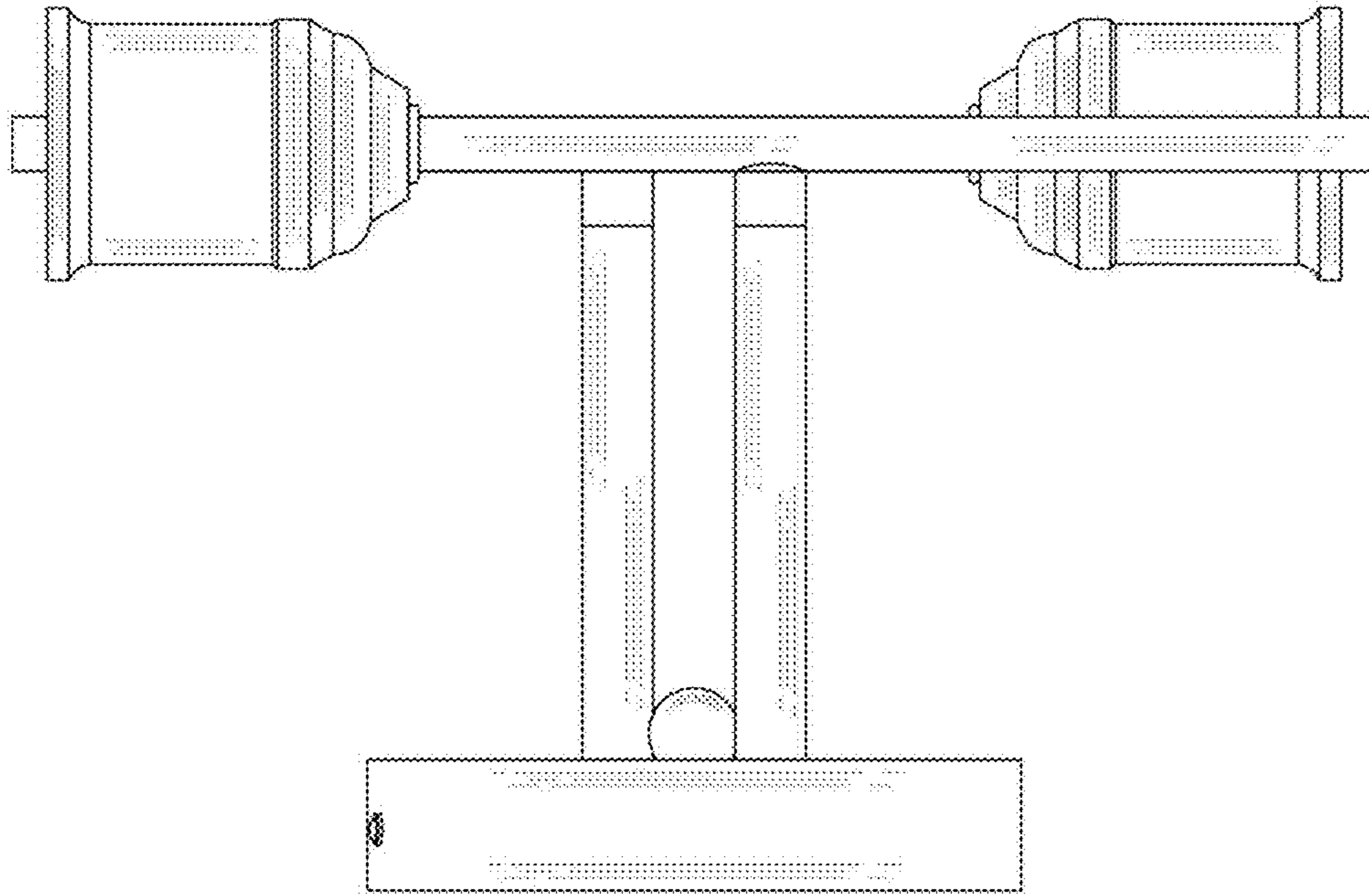


FIG. 2

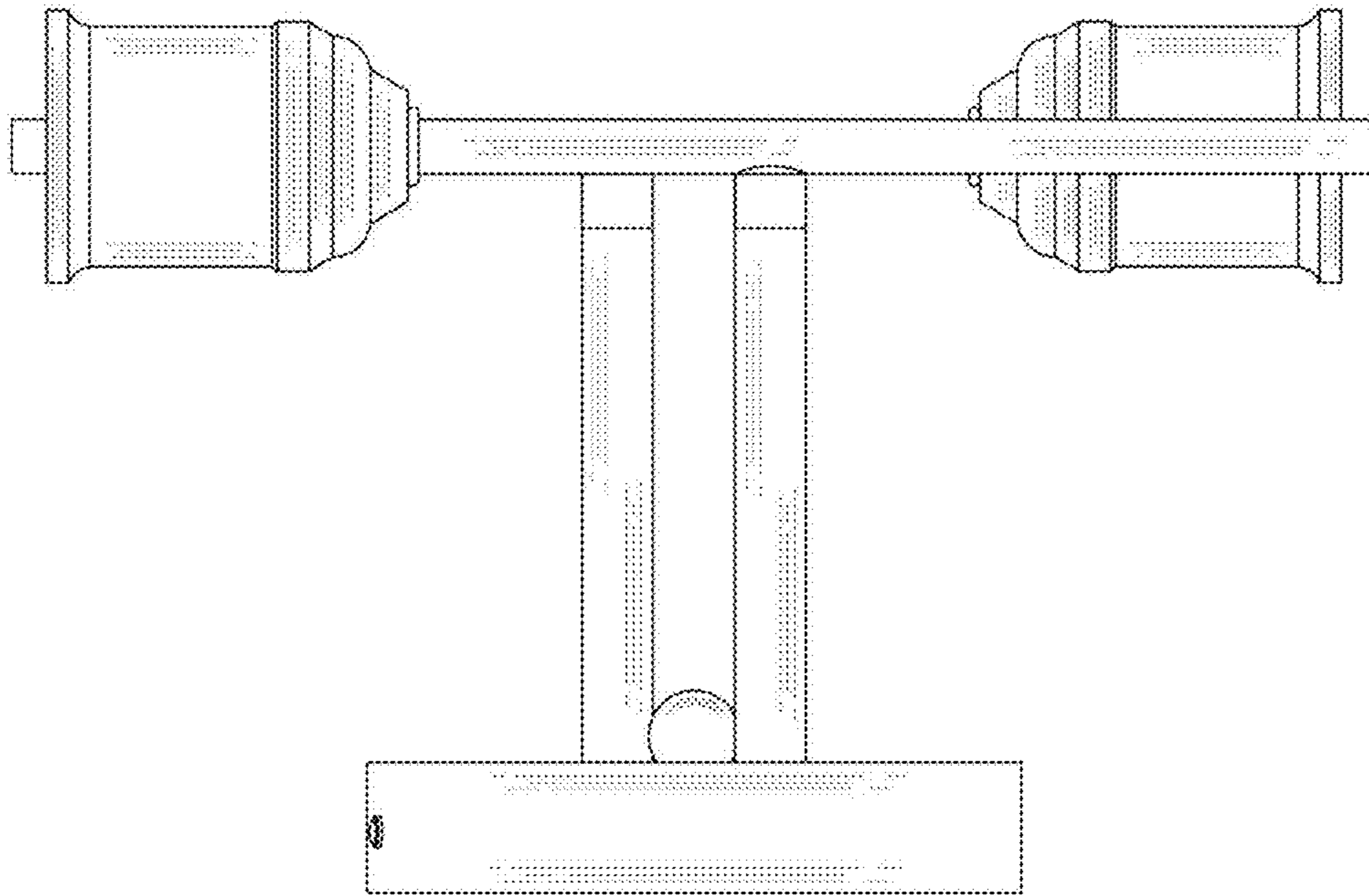


FIG. 3

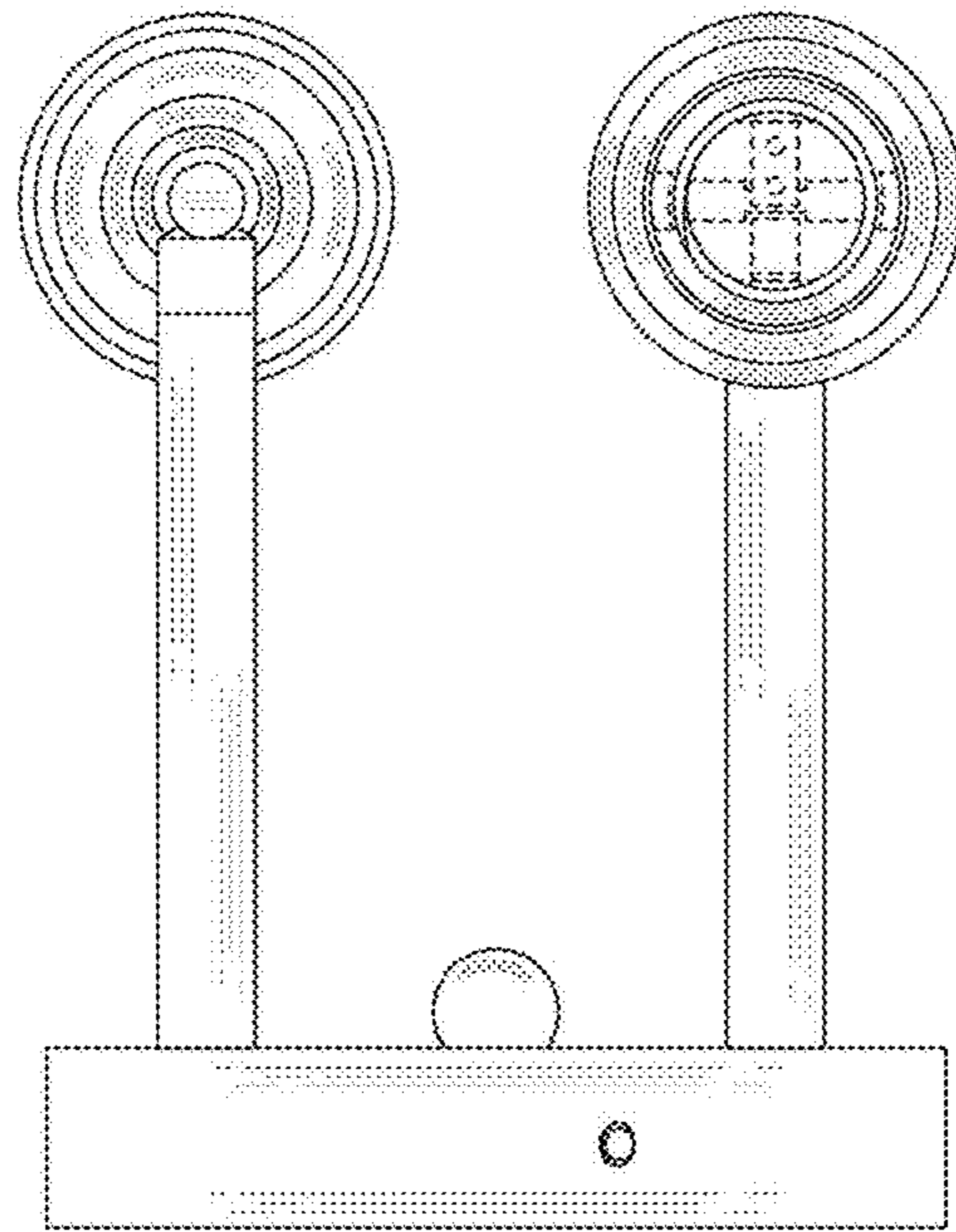


FIG. 4

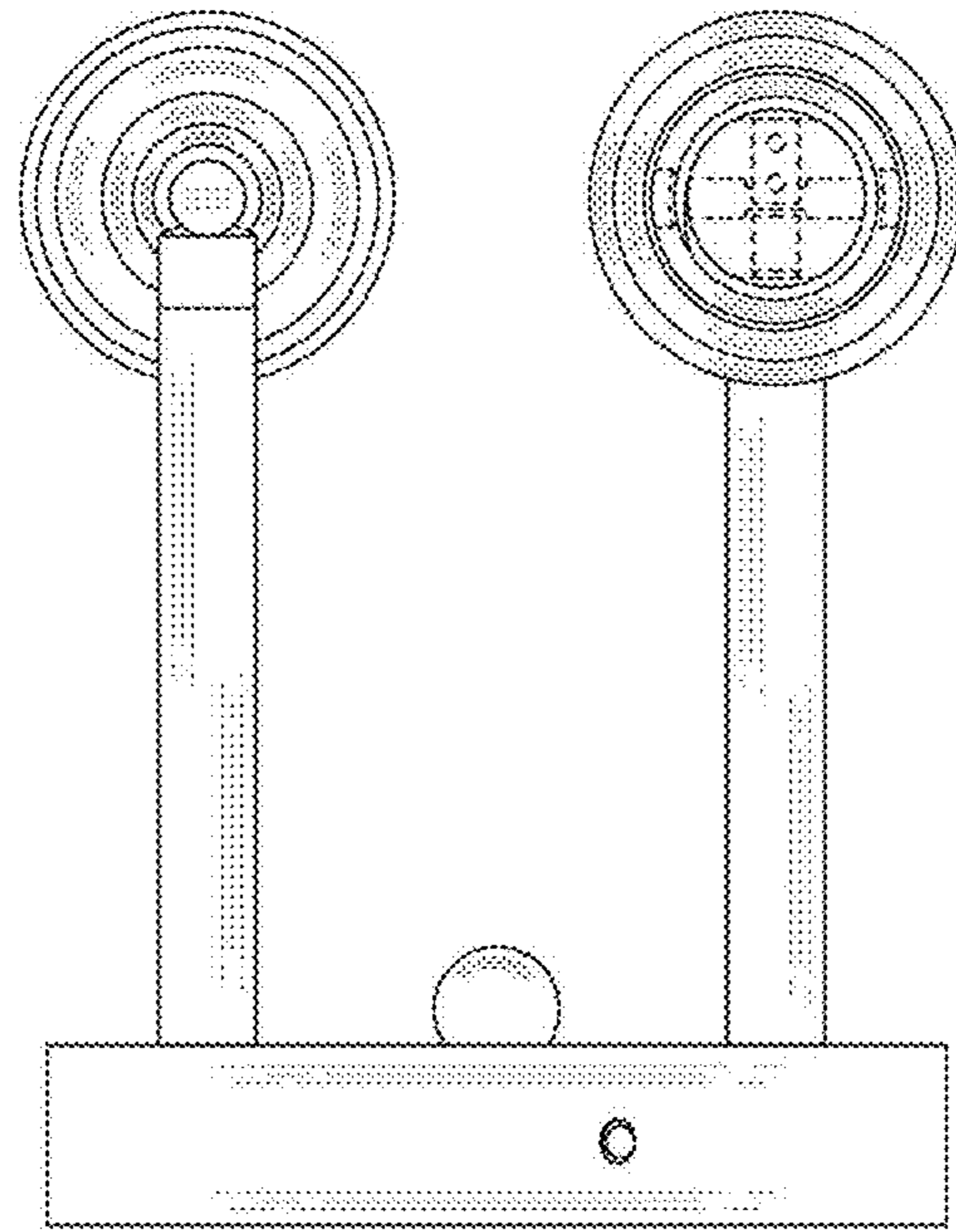


FIG. 5

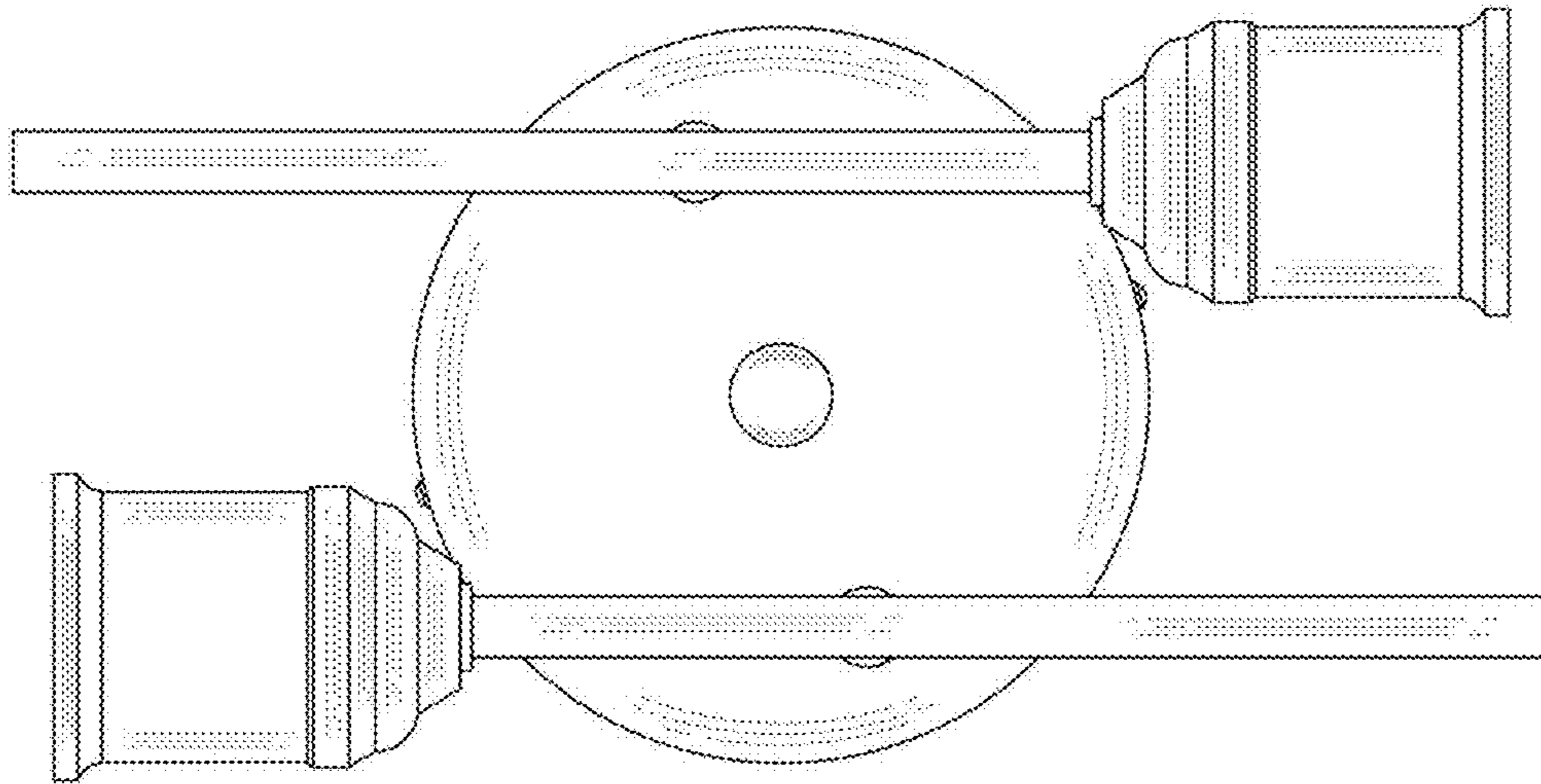


FIG. 6

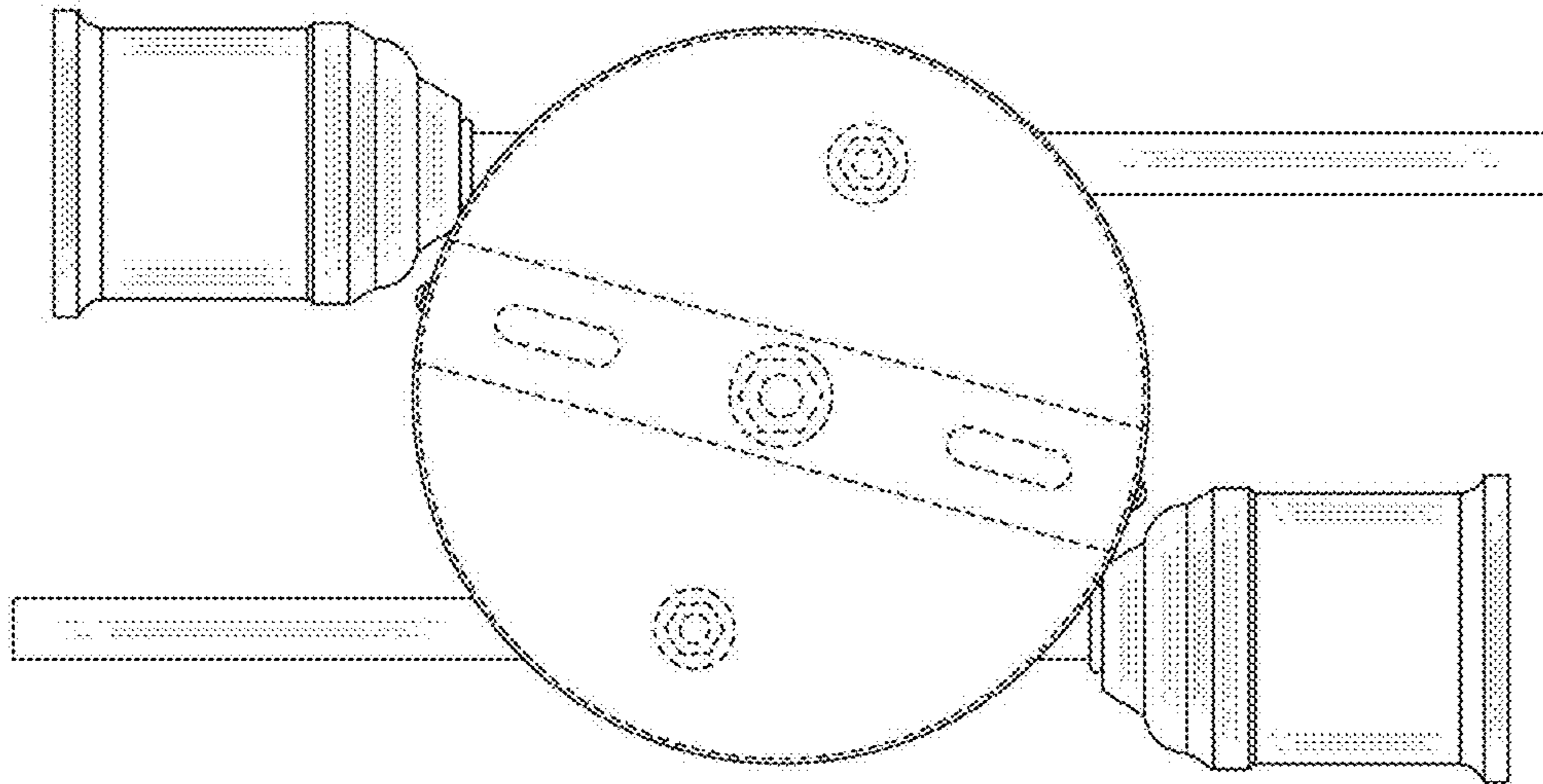


FIG. 7