



US00D986471S

(12) **United States Design Patent** (10) **Patent No.:** **US D986,471 S**
Hendifar (45) **Date of Patent:** **** May 16, 2023**

(54) **SCONCE**

(71) Applicant: **APPARATUS LLC**, New York, NY (US)

(72) Inventor: **Gabriel Hendifar**, New York, NY (US)

(73) Assignee: **APPARATUS LLC**, New York, NY (US)

(**) Term: **15 Years**

(21) Appl. No.: **29/788,709**

(22) Filed: **Jul. 20, 2021**

(51) **LOC (14) Cl.** **26-03**

(52) **U.S. Cl.**
USPC **D26/85**

(58) **Field of Classification Search**
USPC D26/72, 81, 82, 85, 86, 87, 88, 92
CPC .. F21S 8/033; F21S 8/036; F21S 8/043; F21S 8/046; F21S 8/06; F21S 8/061; F21S 8/063; F21S 8/065
See application file for complete search history.

(56) **References Cited**

U.S. PATENT DOCUMENTS

D288,247 S *	2/1987	De Lucchi	D26/85
D371,857 S *	7/1996	Gismondi	D26/37
D378,621 S *	3/1997	Landefeld	D26/85
D429,361 S *	8/2000	Tihany	D26/87
D747,025 S *	1/2016	Skira	D26/85
D794,864 S *	8/2017	Sonneman	D26/89
D821,629 S *	6/2018	Amato	D26/87
D835,829 S *	12/2018	Hendifar	D26/85
D839,467 S *	1/2019	Hendifar	D26/87
D862,770 S *	10/2019	Coombes	D26/85
D862,771 S *	10/2019	Coombes	D26/85
D868,340 S *	11/2019	Richardson	D26/85
D889,020 S *	6/2020	Bassant	D26/87

OTHER PUBLICATIONS

Catellani & Smith PostKrisi W 21 wall light, available at dmlights.com, site visited Mar. 10, 2023. <https://www.dmlights.com/catellani_smith_postkrisi_w_21_gold~14Q9B>. (Year: 2023).*

Troy Lighting Leif Single Light Plug in Wall Sconce No. PTL8132, available at flcselect.com, site visited Mar. 10, 2023. (Year: 2023).*

Litfad Modern Round Disc LED Wall Light, ASIN: B09FLNNNBH. Date first available at amazon.com—Sep. 7, 2021. (Year: 2021).*

Wall Light ASIN: B088ZQC3Q2. Date first available at amazon.com—May 21, 2020. <<https://www.amazon.co.uk/Wall-lamp-Individual-Minimalist-Staircase/dp/B088ZQC3Q2?th=1>>. (Year: 2020).*

* cited by examiner

Primary Examiner — Clare E Heflin

(74) *Attorney, Agent, or Firm* — Gottlieb, Rackman & Reisman P.C.

(57) **CLAIM**

I claim the ornamental design for a sconce, as shown and described.

DESCRIPTION

FIG. 1 is a front perspective view of a sconce showing my new design;

FIG. 2 is a rear perspective view of FIG. 1;

FIG. 3 is a front elevational view of FIG. 1;

FIG. 4 is a rear elevational view of FIG. 1;

FIG. 5 is a left side elevational view of FIG. 1;

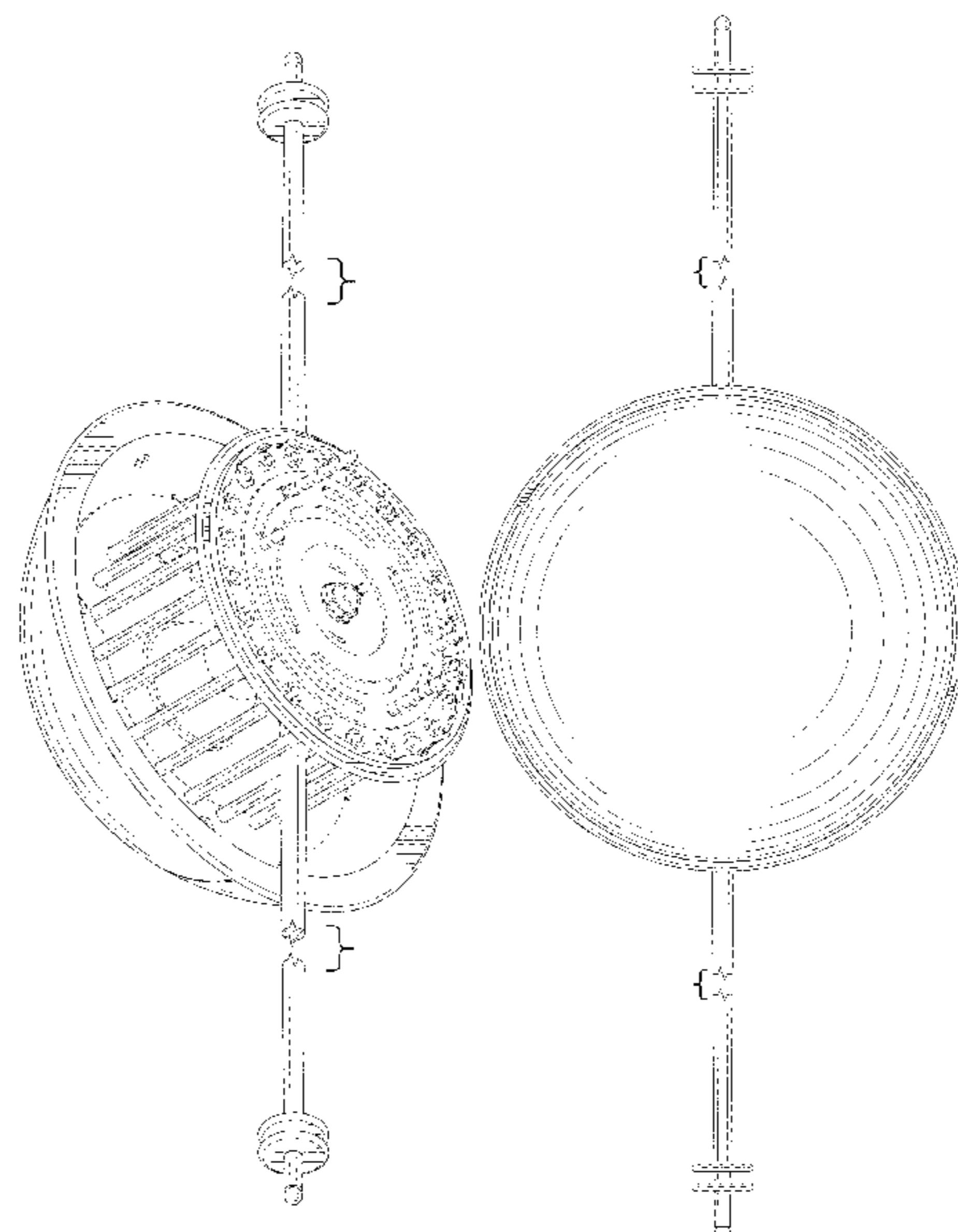
FIG. 6 is a right side elevational view of FIG. 1;

FIG. 7 is a top plan view of FIG. 1; and,

FIG. 8 is a bottom plan view of FIG. 1.

The break lines shown in the drawings indicate that the appearance of any portion of the article between the break lines forms no part of the claimed design; and the broken lines shown in the drawings are included for the purpose of illustrating elements of the sconce that form no part of the claimed design.

1 Claim, 7 Drawing Sheets



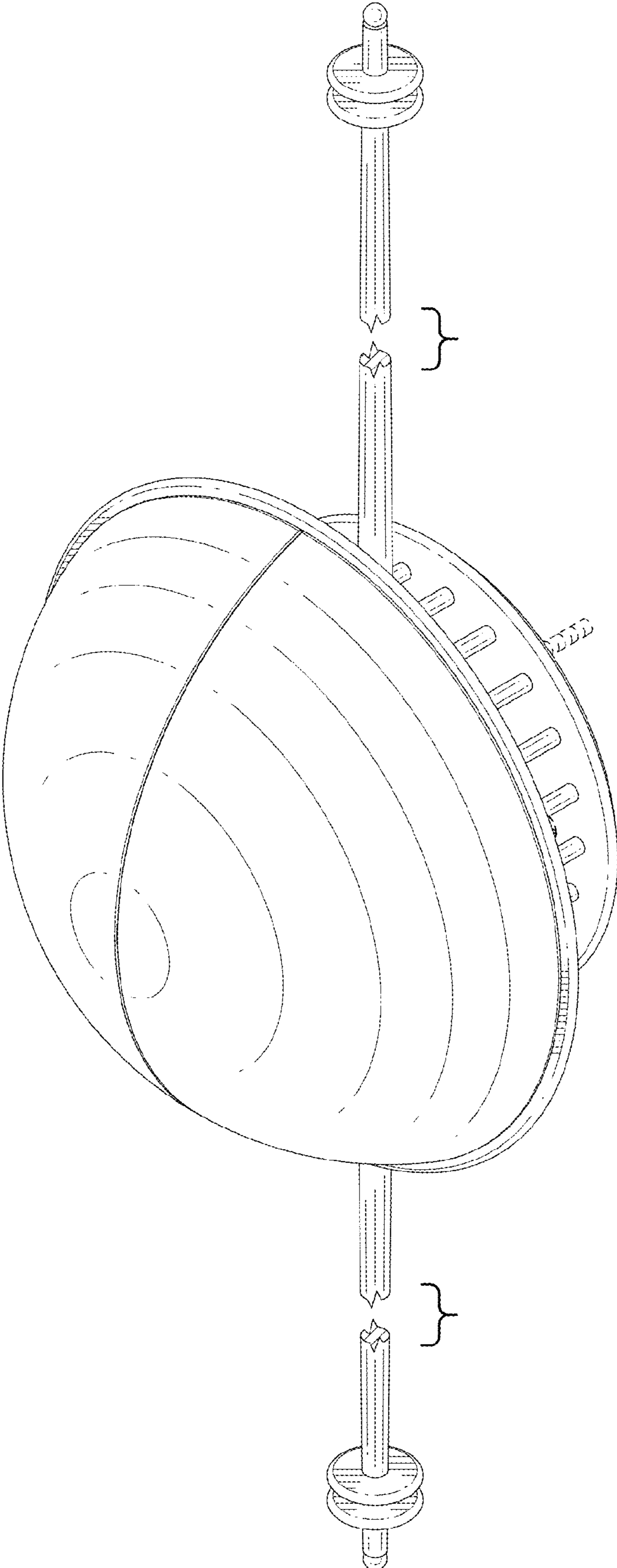


FIG. 1

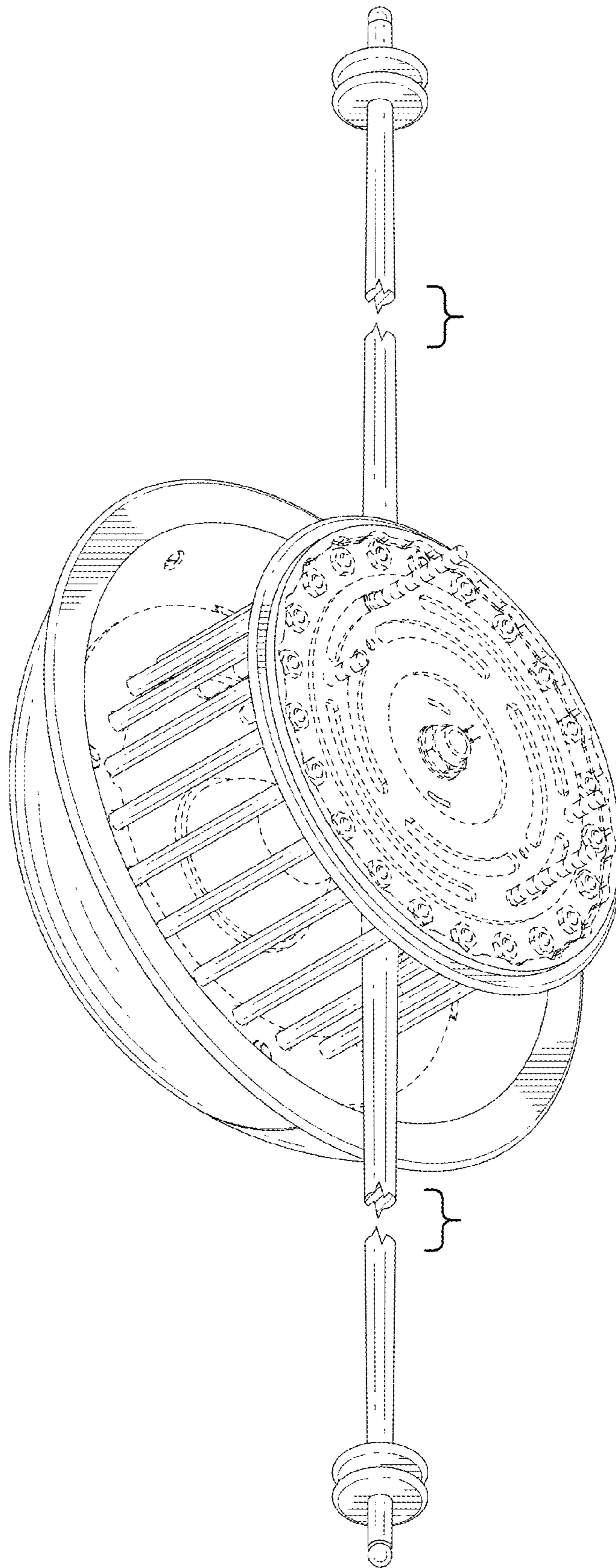


FIG. 2

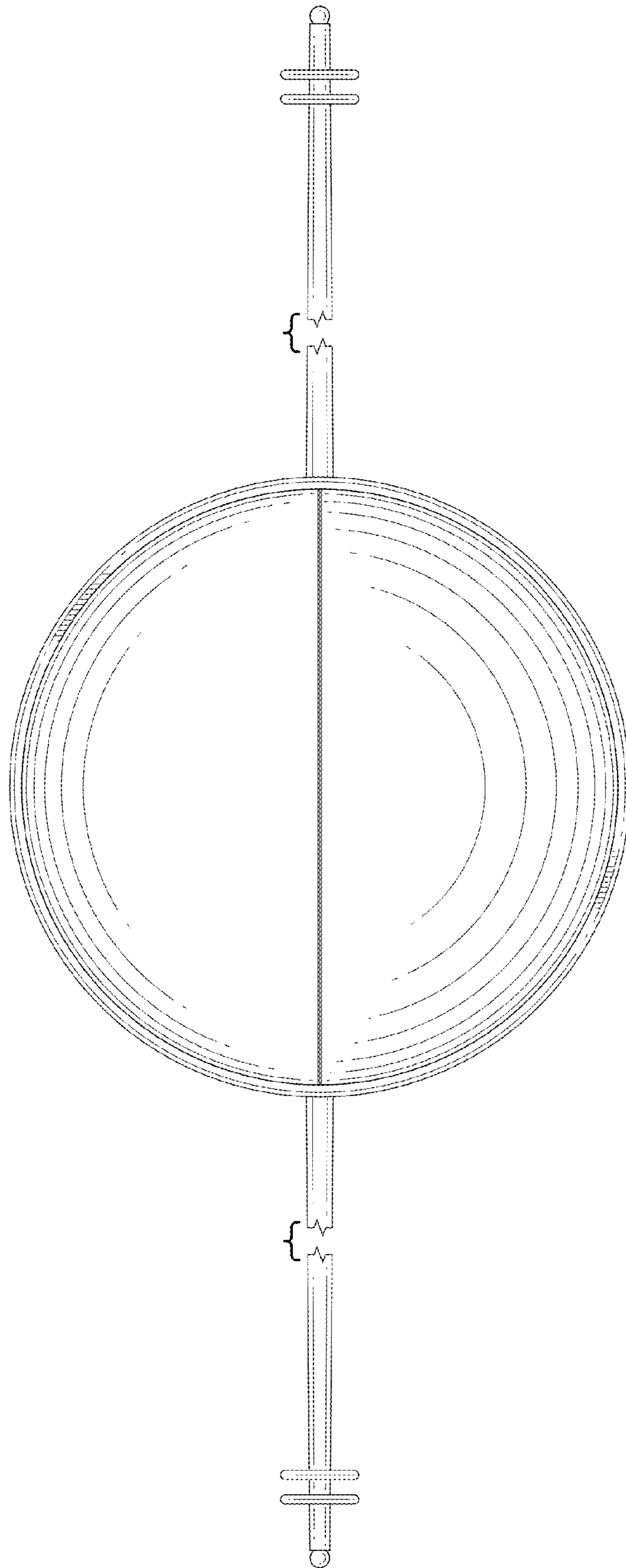


FIG.3

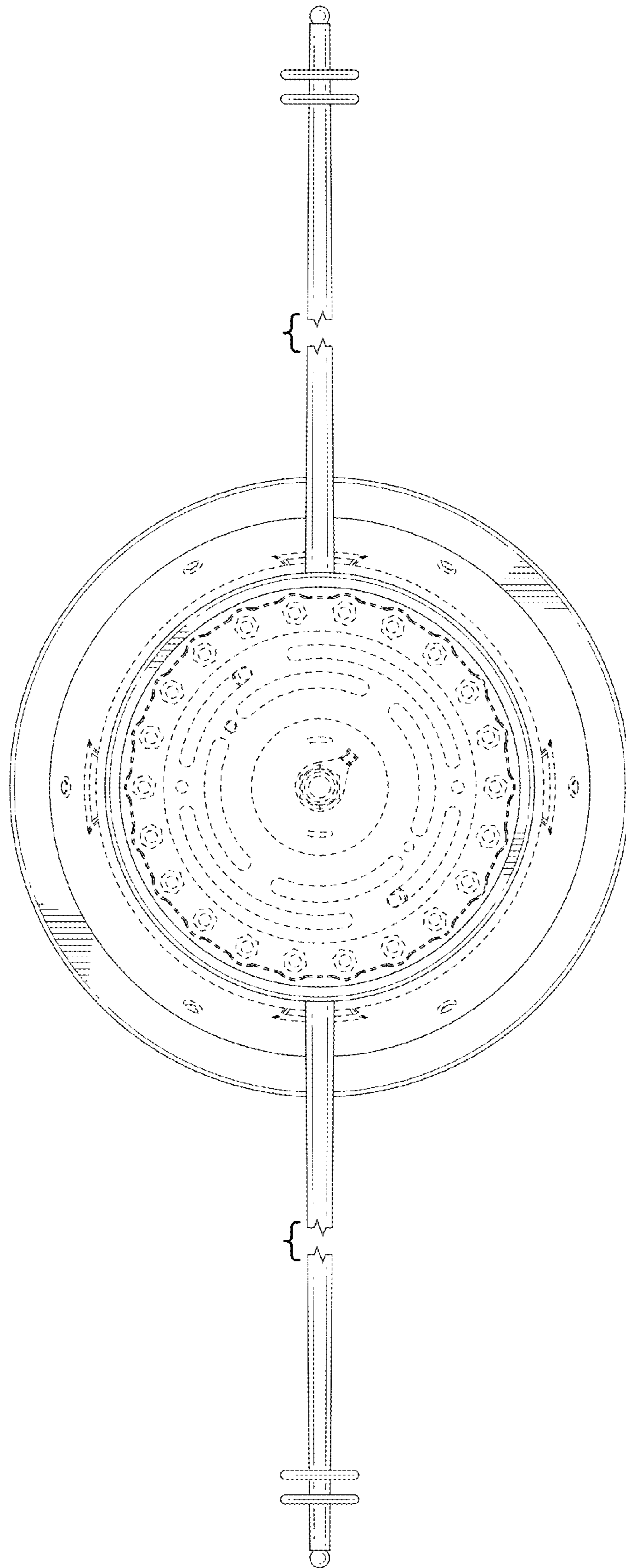


FIG.4

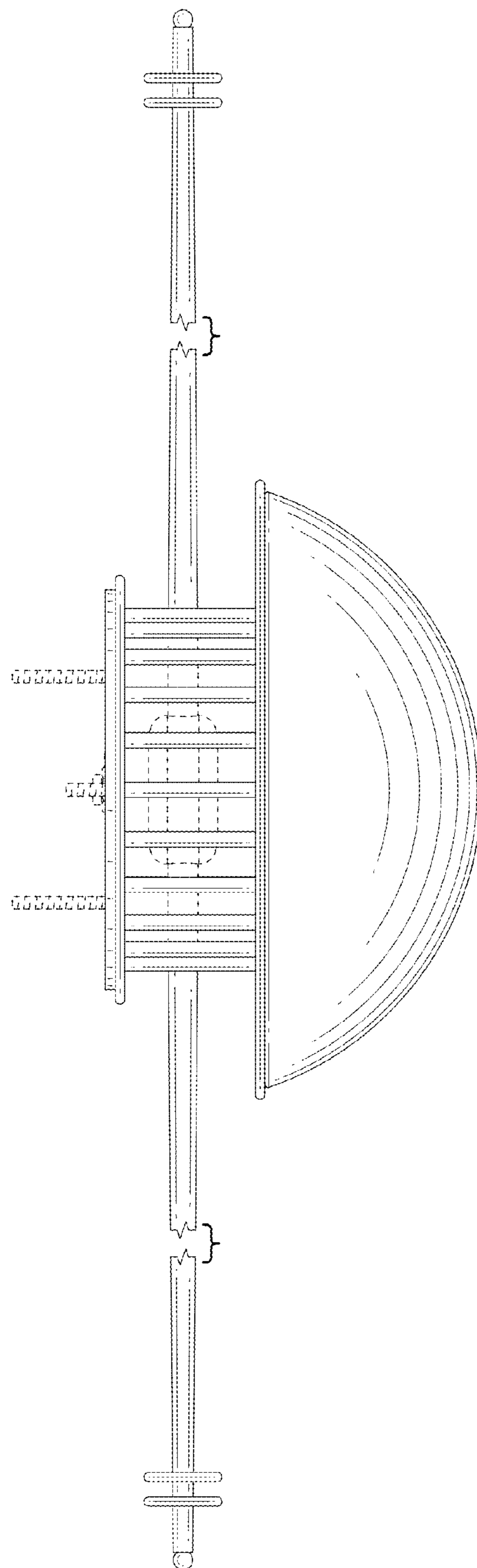


FIG. 5

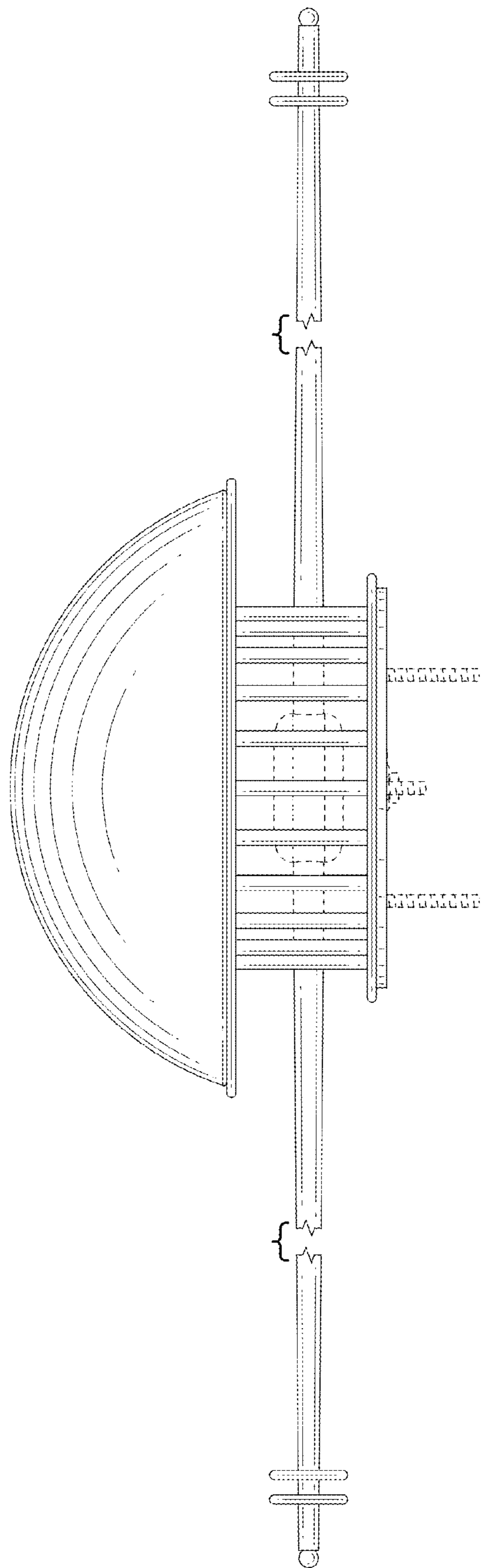


FIG.6

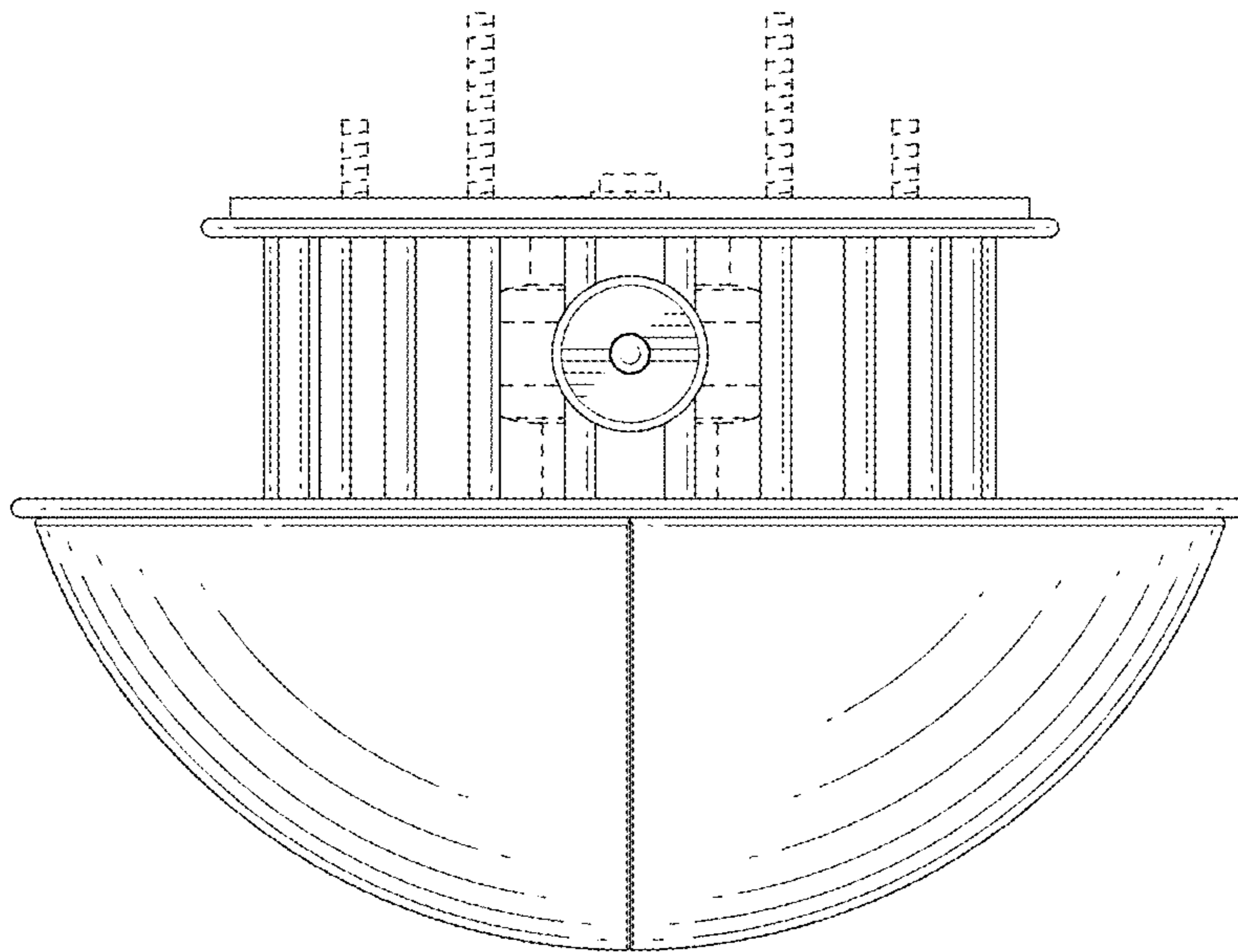


FIG. 7

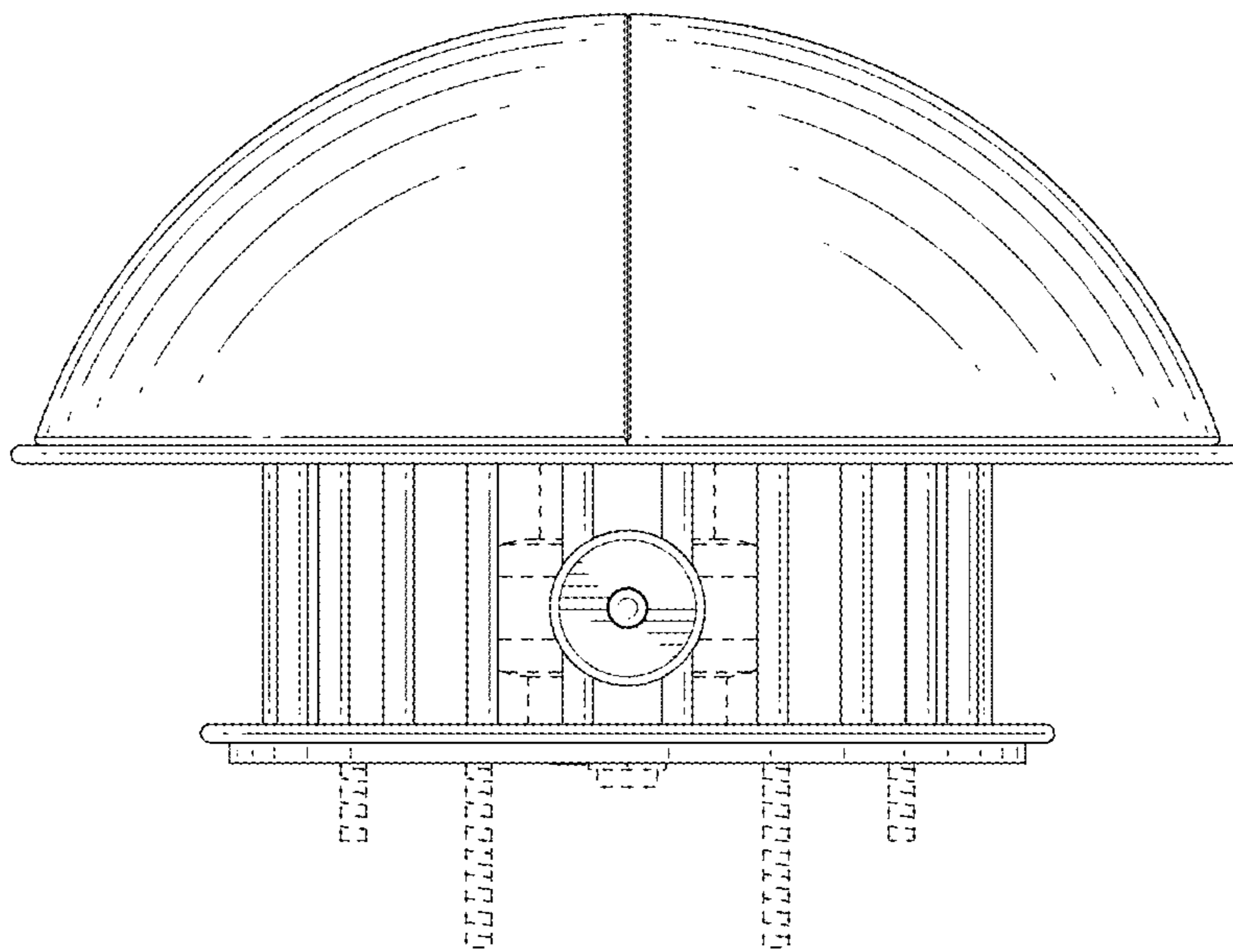


FIG. 8